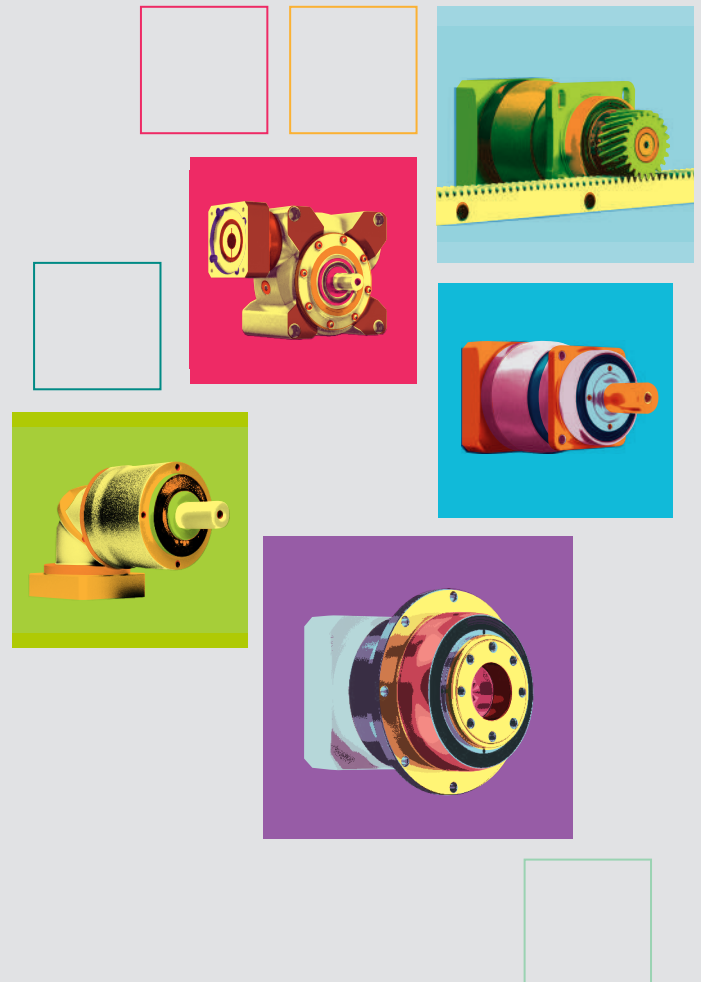
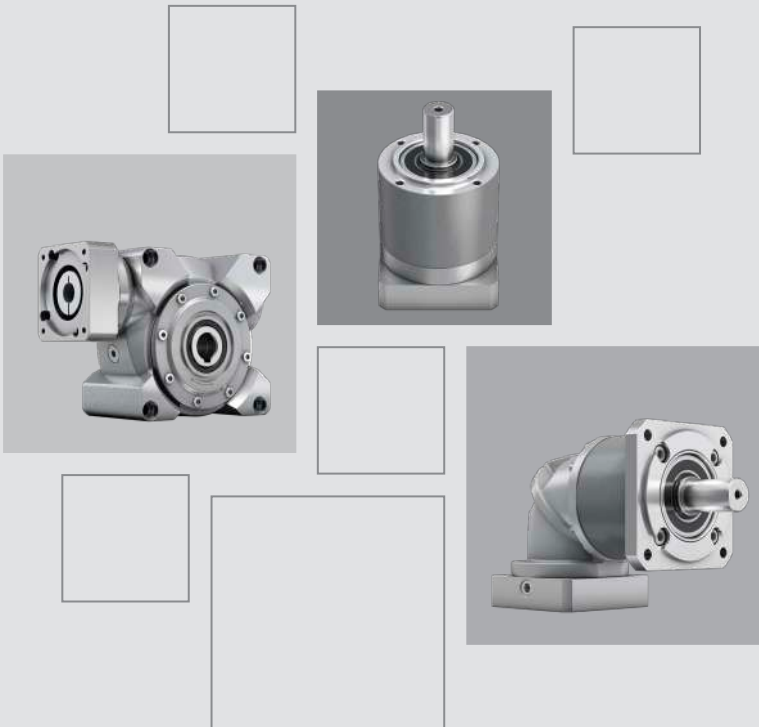


# alpha Basic Line & alpha Value Line Product catalog

Reliable  
Flexible  
Economical



© 2023 by WITTENSTEIN alpha GmbH

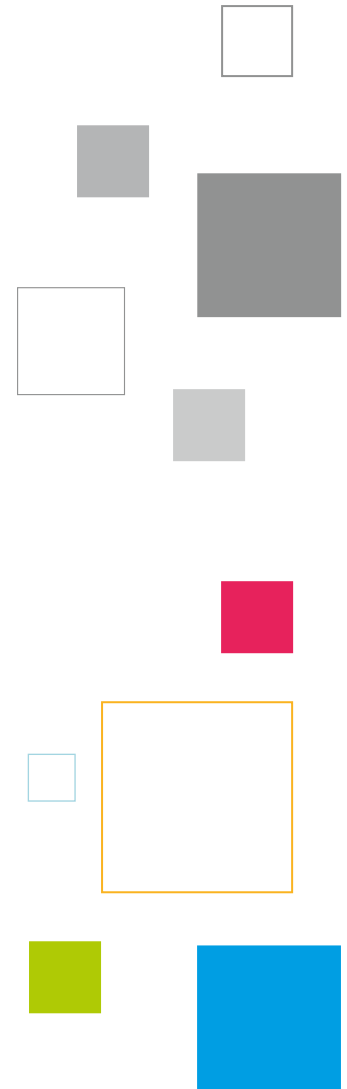
All technical specifications were correct at the time of going to print. We are continually developing our products and therefore reserve the right to make modifications. This documentation is subject to occasional errors. Please appreciate that legal claims cannot be asserted as a result of incorrect specifications, illustrations or descriptions. The text, photos, technical drawings and any other illustrations printed in this publication are protected property of WITTENSTEIN alpha GmbH.

Further use of this material in printed or electronic format requires express approval from WITTENSTEIN alpha GmbH.

Any form of duplication, translation, editing, transfer to microfilm or storage on electronic systems is not permitted without express permission from WITTENSTEIN alpha GmbH.

# Contents

Foreword by company management	6
WITTENSTEIN alpha	8
More than 40 years of innovation	8
Engineering Tools	12
alpha Basic Line & alpha Value Line	16
Product range and applications	16
alpha Basic Line planetary gearboxes	18
CP/CPS	18
alpha Basic Line bevel gearboxes	52
CPK/CPSK	52
alpha Basic Line worm gearboxes	86
CVH/CVS	86
alpha Value Line planetary gearboxes	104
NP/NPL/NPS/NPT/NPR/NTP	104
alpha Value Line bevel gearboxes	234
NPK/NPLK/NPSK/NPTK/NPRK	234
alpha Value Line worm gearboxes	312
NVH/NVS	312
Application-specific solutions	328
HDV	328
Product portfolio & company	338
Gearbox overview	338
Servo actuator overview	343
Value Linear Systems	344
premo – Servo actuators	345
Digital product feature - cynapse®	346
Accessories	348
Services	350
WITTENSTEIN Group	354
Information	356
Sizing – Planetary/Bevel gearboxes	356
Sizing – Worm gearboxes	360
Glossary	362
Ordering code	368





Dear Business Associates,

Even though we are extremely passionate about technology and innovation, the success of our customers is our top priority. We have designed our products and services to help you achieve a competitive advantage – through consistently high quality, permanent availability, and the best service worldwide.

To ensure that you will find the right solution at WITTENSTEIN for your specific requirements, we have tailored our range of services to the needs of many different markets. Thus our series from “Basic” to “Premium” today cover a wide product range. Gearboxes of the alpha Basic and alpha Value Line are especially suitable for applications requiring cost-oriented yet efficient solutions. Both series are specially designed for axes with medium requirements for precision, dynamics, and power density, and precisely deliver the familiar alpha quality in this domain. They offer a unique modularity in this market segment. Thanks to additional output versions in combination with the angle sections provided by our portfolio, the alpha Basic and alpha Value Line provide every possible freedom when designing different applications.

Whatever solution you need, you are sure to reach your goal quickly and easily with us. Because we offer integrated mechanical and mechatronic drive solutions for all types of axis. On demand we also provide complete solutions from a single source – complete systems including servo actuators – also for linear systems. Our product range has grown significantly again, and yet we are continuing to develop new ideas to make your work easier.

Take our word for it!

Yours

Thomas Patzak und Norbert Pastoors  
Managing Directors WITTENSTEIN alpha GmbH

# YOUR WORLD IS OUR DRIVE. FOR MORE THAN 40 YEARS.



SP



LP



Linear systems



TPM+



High Performance Linear System



alpha Value Line

1983

1994

1996

1999

2002

2004

2006

2007

2011

2013

2015

TP



cymex®  
sizing software



XP+ / TP+ / SP+ / LP+



TPK+ / SPK+ /  
HG+ / SK+ / TK+



HDV  
Hygienic Design



## PERFORMANCE

**Performance where it counts:**  
High torque, outstanding precision and high power density – essential for our products and systems.

## FUTURE PROOF

**We live processes:**  
Only those who know the exact details of customer processes and requirements are in a position to develop solutions that offer added value in the short and long term.

## SCALABILITY

**You never make compromises:**  
Whatever the performance area – we offer solutions that grow with your requirements.



**WITTENSTEIN**

alpha

It is good to know today what will be needed tomorrow. Applying it in practice is even better. We develop technology that shapes the future –  
**ENGINEERING FUTURE SOLUTIONS.**

## EFFICIENCY

**We like it „lean“:**  
We offer products and systems that are energy-efficient and require minimal installation space in machines.

## AVAILABILITY

**You need reliability:**  
We have the widest range of products on the market and can implement your application „just in time“.

## CONNECTIVITY

**We think in terms of interfaces:**  
All of our systems can be integrated in a wide range of peripherals.



DP<sup>+</sup> for Delta robots



INIRA<sup>®</sup>



alpha Linear Systems



alpha Basic Line



cynapse<sup>®</sup>



cymex<sup>®</sup> select



NTP

2016

cymex<sup>®</sup> 5



SIZING ASSISTANT



2017

V-Drive Family



2018

premo<sup>®</sup>



2019

CAD POINT



2022

WITTENSTEIN Service Portal



2023

axenia value



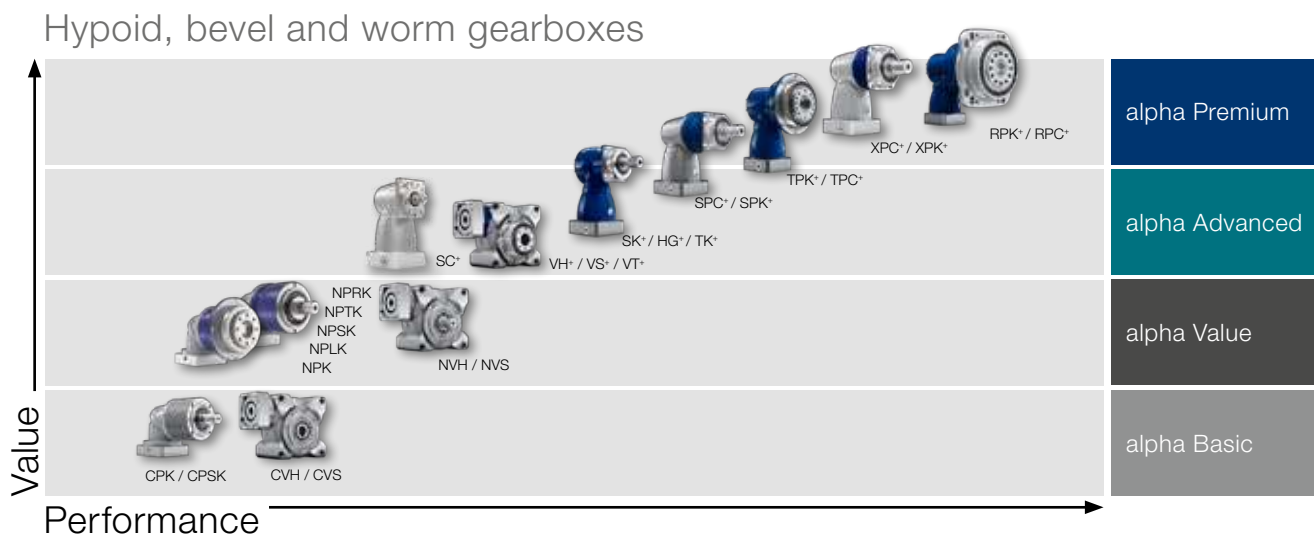
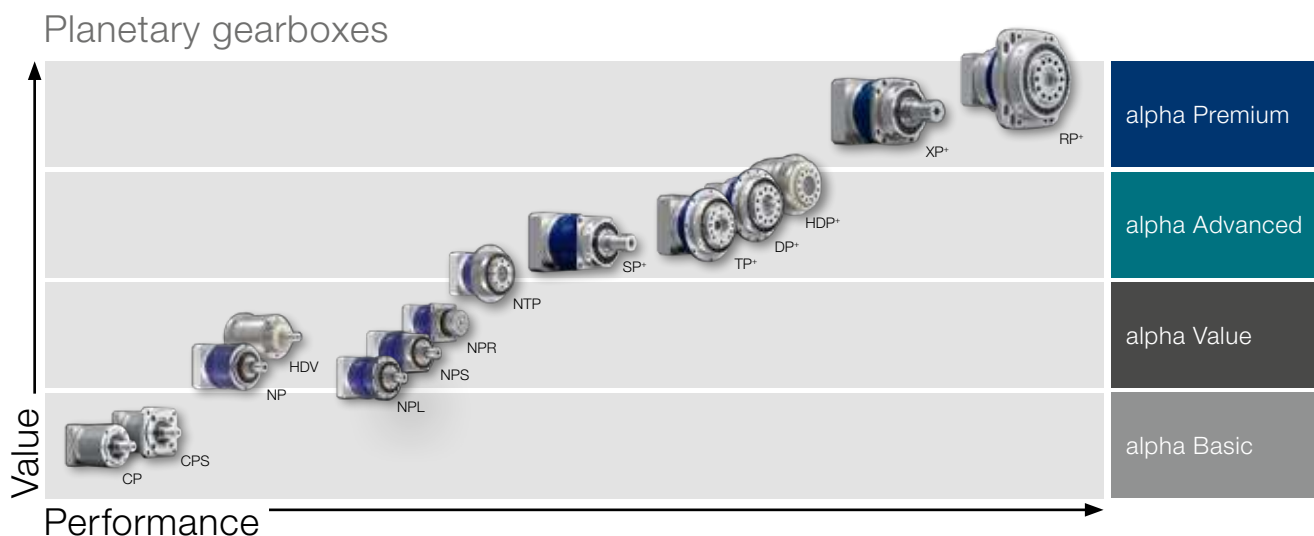
# WITTENSTEIN alpha in all axes

## Complete drive solutions under one roof

We offer the best solutions for almost every application. In addition to gearboxes, our product portfolio includes a wide range of drive solutions with linear systems and servo actuators. Adapted accessories such as couplings and shrink discs round off the product portfolio.

Our products are divided into the Basic, Value, Advanced and Premium Segments in terms of “Performance” and “Value”. We want to make it even easier for our customers to find the right solution from our large portfolio for each specific application.

## Overview of our product portfolio:



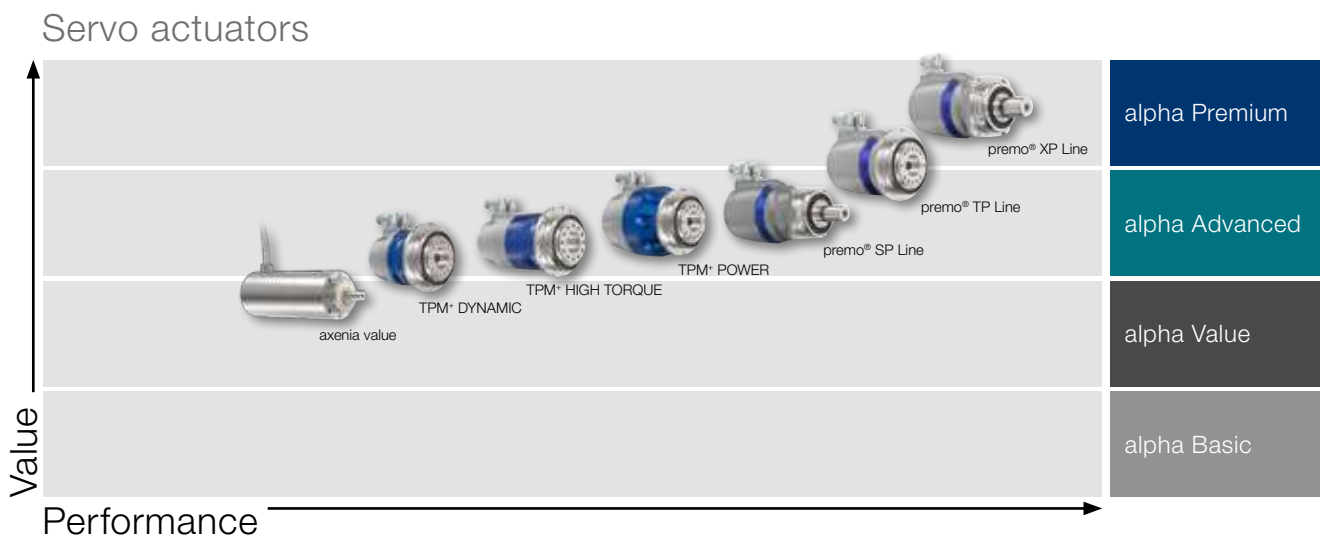
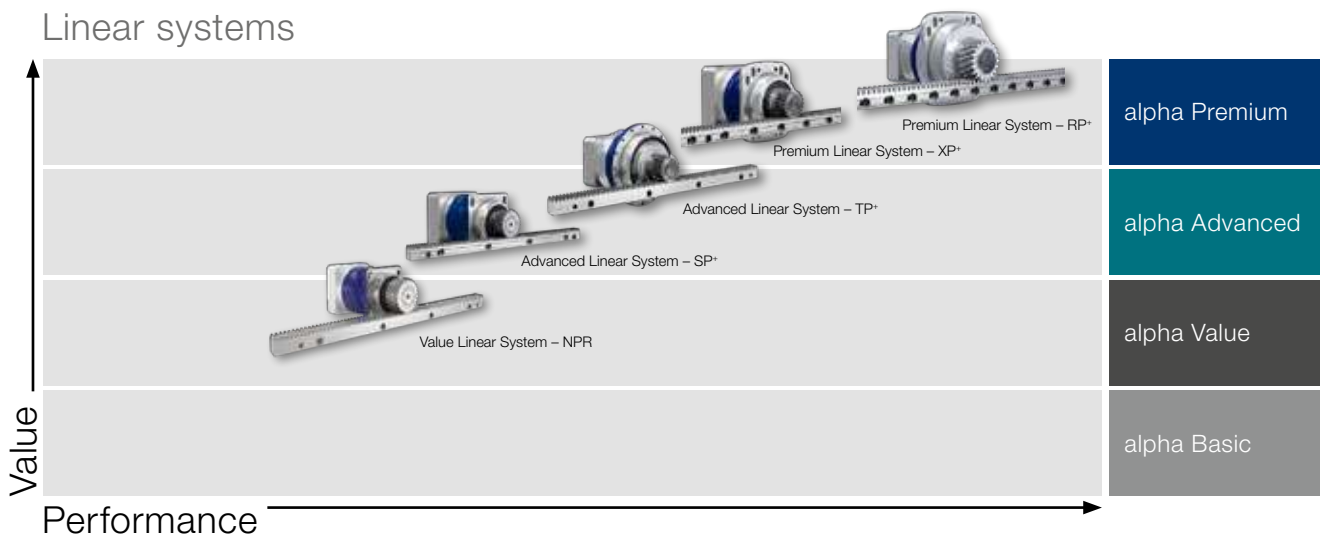


## Know-how in every sector

Our solutions range from high-precision axes in manufacturing systems to packaging machines that must operate with maximum productivity in the smallest installation space.

### Overview:

- Machine tools and production technology
- Food and packaging machines
- Wood working machinery
- Printing and paper machines
- Robotics and automation



# WITTENSTEIN alpha

## Sizing Tools



# Many ways to reach your goals

## Our software portfolio helps you choose the optimal drive

You can conveniently download dimension sheets and CAD data, select the best gearbox quickly and easily design complex kinematic sequences in detail – our software solutions offer various methods of selecting the best, most reliable drive on all axes.



### CAD POINT

– Your Smart Catalog

- Performance data, dimension sheets and CAD data for all types of gearboxes
- Available online without logging in
- Comprehensive documentation of the selection

[www.wittenstein-cad-point.com](http://www.wittenstein-cad-point.com)



### cymex® select

– Best solution within seconds

- Efficient and customizable product selection in seconds
- Top three product recommendations for your requirements
- Available online without login
- Possibility of requesting quotation quickly and directly

[cymex-select.wittenstein-group.com](http://cymex-select.wittenstein-group.com)



### cymex®5

– Calculate on the Best

- Detailed calculation of complete drive trains
- Precise simulation of motion and load variables
- Downloadable software for complex designs

[www.wittenstein-cymex.com](http://www.wittenstein-cymex.com)



# cymex<sup>®</sup> select The right drive solution in seconds

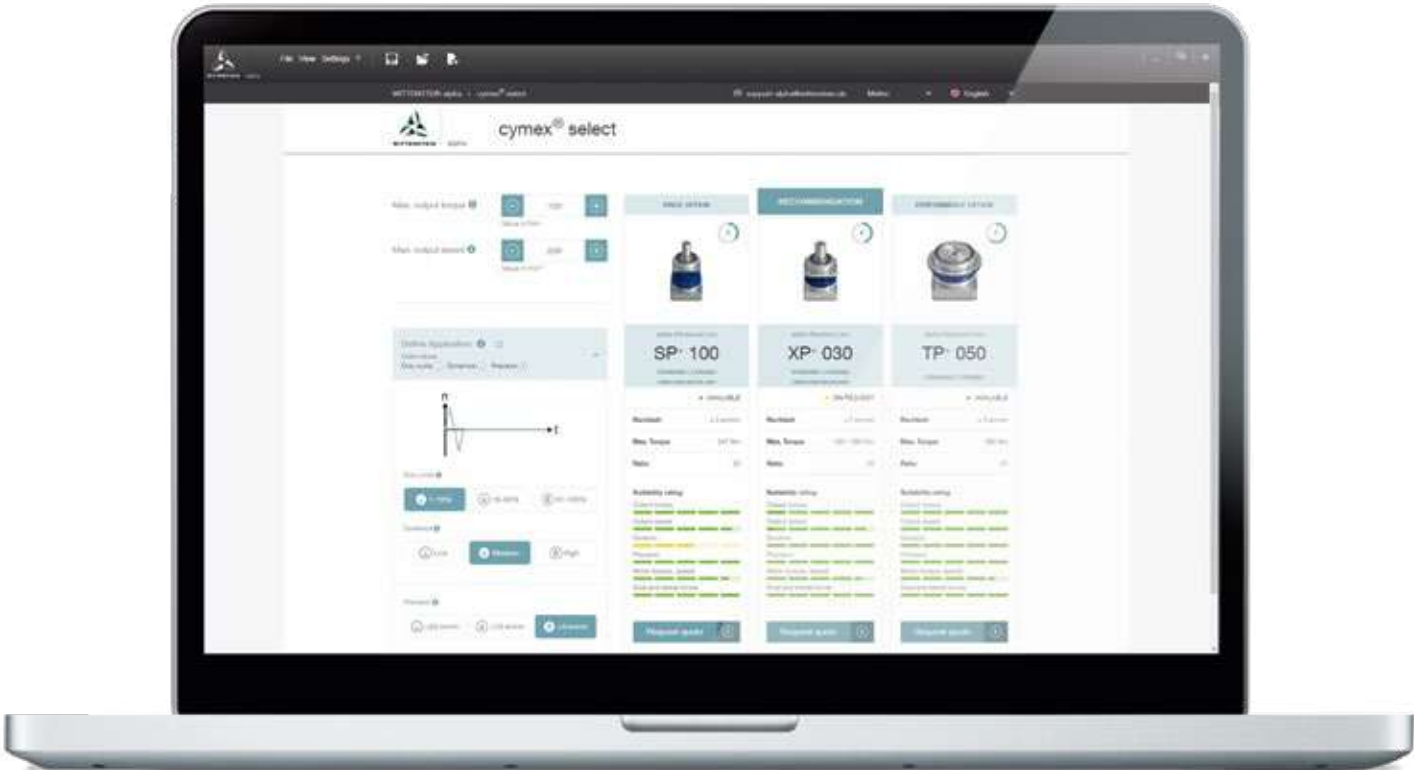
Do you want to find the optimal drive solution quickly and easily?  
cymex<sup>®</sup> select carries out technical evaluation for your application and your motor for you. The online tool presents you with a top recommendation from among 50,000 products based on 15 technical parameters and the price. You also get a performance option and a price option.

Available in 11 languages

The web-based app  
cymex<sup>®</sup> select is available online  
without login.



[cymex-select.wittenstein-group.com](http://cymex-select.wittenstein-group.com)

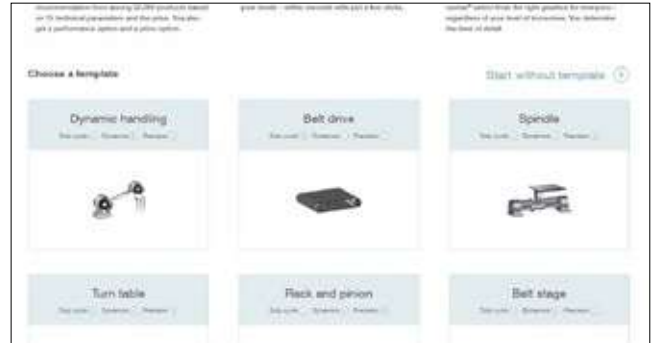


cymex<sup>®</sup> select



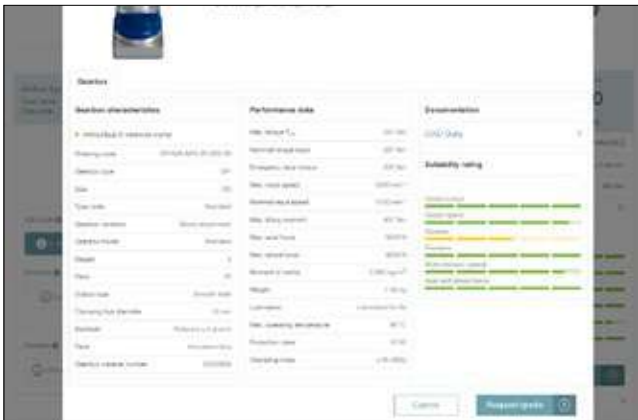
**Simply find the best solution online**

cymex® select offers you individual product suggestions based on technical suitability and economic evaluation as a ready-to-use ordering code. You quickly and reliably get an individual solution on the basis of three product suggestions within seconds and with no prior product know-how required.



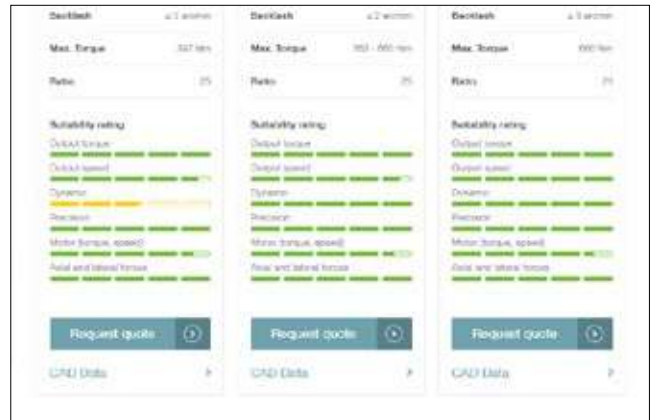
**For every stage of development and every level of detail**

cymex® select makes it possible for every user to select the right product in an individual manner: The degree of detail in the inputs can be adjusted as required. Starting with torque and speed, parameters such as application, the motor, external forces, drive geometries and much more can be taken into consideration. As an additional option, you have the possibility of using our application templates as a simple starting point.



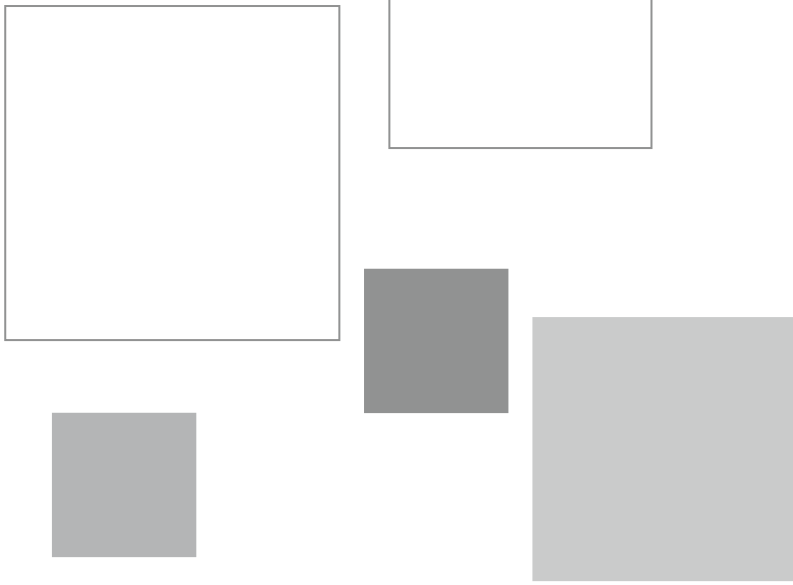
**Product details at a glance**

The "Detail" button opens a window containing detailed information about gearbox properties, performance data, and motor mounting parts. CAD data can also be retrieved. A direct request for a quotation is possible after a product has been selected online.



**Perfect match for your requirements**

cymex® select takes more than 15 technical parameters into consideration. For best results, the calculation logic is inspired by the best-in-class cymex® 5 sizing software. In addition to common parameters such as utilization of torques and speeds, factors such as rigidity, moment of inertia and controllability are also taken into account. The results are transparently displayed using a suitability rating. With background information about utilization, suitability ranges and assumptions, you can access more detailed information at any time.



# alpha Basic Line

## Geared up to Fit

The gearboxes of the alpha Basic Line live up to the motto “Geared up to Fit”. The CP, CPS, CPK, and CPSK planetary and bevel gearboxes as well as the CVS and CVH worm gearboxes combine high flexibility on the drive side with optimum economy. In conjunction with backlash less than or equal to 12 arcmin, the gearboxes are the perfect choice in machines with medium to low requirements for positioning accuracy.





# alpha Value Line

## Individual Talents

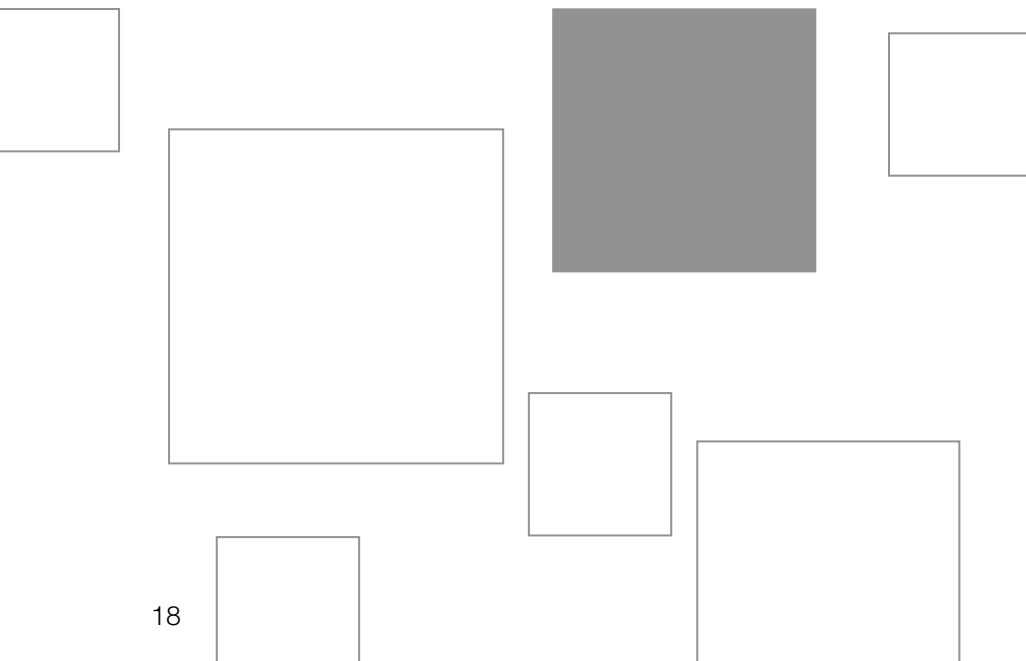
The alpha Value Line impresses with economical and flexible solutions with backlash less than or equal to 8 arcmin. For example, the planetary and bevel gearboxes of the NP and NPK series as well as the NVS and NVH worm gearboxes are suitable for a wide range of applications thanks to numerous ratios and output versions – our “Individual Talents” give you new design freedom!



# alpha Basic Line

## PLANETARY GEARBOXES CP / CPS

The planetary gearboxes of the alpha Basic Line are the ideal choice for cost-oriented solutions. These gearboxes further increase design freedom in machines due to new additional output variants as well as five different sizes.







\* CPS with replaceable B5 output flange

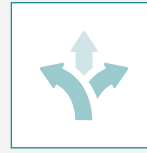
# CP / CPS – Geared up to Fit

CP



Tailored to applications in the mid-range and economy segment with low to medium requirements for positioning accuracy, the CP and CPS planetary gearboxes do not fail to impress. The key benefits offered by the gearboxes are high flexibility combined with maximum efficiency.

## PRODUCT HIGHLIGHTS



### High flexibility

Different output variants offer design freedom tailored to individual requirements. The flexibility on the input side also enables the realization of different motor mounting versions.



### Maximum economy

The gearboxes of the alpha Basic Line are extremely economical to purchase and highly efficient in operation.



### Fast sizing

Efficient and innovative online sizing within seconds in cymex® select based on technical and economic suitability.



CPS – planetary gearbox with replaceable B5 output flange



CPS – planetary gearbox with long centering



CPS

\* CPS with replaceable B5 output flange

- A Flexible motor connection**
- Mounting of all common servo motors by means of a flexible and screw-fastened adapter plate
  - Large number of motor shaft diameters connectable

- B High ratio variation**
- Large number of ratios ( $i=3$  to  $i=100$ )
  - Available in the common binary ratios

- C Various output shapes**
- With smooth shaft as well as shaft with key

- D Variety of sizes**
- CP available in five different sizes (005 – 045)
  - CPS available in three different sizes (015 – 035)

- E Variable application connection**
- Reduced installation space and maximum compactness thanks to a long centering
  - Flange attachment for B5 mounting



CPS – planetary gearbox with elastomer coupling



cymex® select  
BEST SOLUTION WITHIN SECONDS

Efficient gearbox sizing within seconds – online without login  
[cymex-select.wittenstein-group.com](http://cymex-select.wittenstein-group.com)

# CP 005 MF 1-stage

			1-stage					
Ratio	i		4	5	7	8	10	
Max. torque <sup>a) b) e)</sup>	$T_{2a}$	Nm	17	21	21	20	20	
		in.lb	150	186	186	177	177	
Max. acceleration torque <sup>e)</sup> (max. 1000 cycles per hour)	$T_{2B}$	Nm	11	14	14	13	13	
		in.lb	97	124	124	115	115	
Emergency stop torque <sup>a) b) e)</sup> (permitted 1000 times during the service life of the gearbox)	$T_{2Not}$	Nm	26	26	26	26	26	
		in.lb	230	230	230	230	230	
Permitted average input speed <sup>d)</sup> (at $T_{2a}$ and 20 °C ambient temperature)	$n_{1N}$	rpm	3800	3800	4300	4300	4300	
Max. input speed	$n_{1Max}$	rpm	9000	9000	9000	9000	9000	
Mean no load running torque <sup>b)</sup> (at $n_1=3000$ rpm and 20 °C gearbox temperature)	$T_{012}$	Nm	0.07	0.06	0.06	0.06	0.05	
		in.lb	0.62	0.53	0.53	0.53	0.44	
Max. backlash	$j_t$	arcmin	≤ 12					
Torsional rigidity <sup>b)</sup>	$C_{t21}$	Nm/arcmin	0.58	0.58	0.58	0.52	0.52	
		in.lb/arcmin	5.1	5.1	5.1	4.6	4.6	
Max. axial force <sup>c)</sup>	$F_{2AMax}$	N	240					
		lb <sub>f</sub>	54					
Max. lateral force <sup>c) 1)</sup>	$F_{2QMMax}$	N	170					
		lb <sub>f</sub>	38					
Max. tilting moment	$M_{2KMMax}$	Nm	4					
		in.lb	35					
Efficiency at full load	$\eta$	%	97					
Service life	$L_n$	h	> 20000					
Weight (incl. standard adapter plate)	m	kg	0.5					
		lb <sub>m</sub>	1.1					
Operating noise (at reference ratio and reference speed – ratio-specific values available in cymex®)	$L_{PA}$	dB(A)	≤ 59					
Max. permitted housing temperature		°C	+90					
		°F	+194					
Ambient temperature		°C	-15 to +40					
		°F	+5 to +104					
Lubrication			Lubricated for life					
Direction of rotation			In- and output same direction					
Protection class			IP 64					
Elastomer coupling (recommended product type – validate sizing with cymex®)			ELC-0005BA010.000-X					
Bore diameter of coupling on the application side		mm	X = 004.000 - 012.700					
Mass moment of inertia (relates to the drive) Clamping hub diameter [mm]	B 11	$J_1$	kgcm <sup>2</sup>	0.04	0.04	0.04	0.03	0.03
			10 <sup>-3</sup> in.lb.s <sup>2</sup>	0.04	0.04	0.04	0.03	0.03

Please use our sizing software cymex® for a detailed sizing – [www.wittenstein-cymex.com](http://www.wittenstein-cymex.com)

<sup>a)</sup> Valid for torque transmission only

<sup>b)</sup> Valid for standard clamping hub diameter

<sup>c)</sup> Refers to center of the output shaft or flange

<sup>d)</sup> Please reduce input speed at higher ambient temperatures

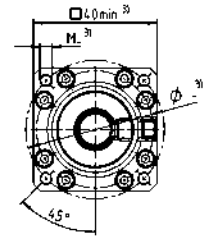
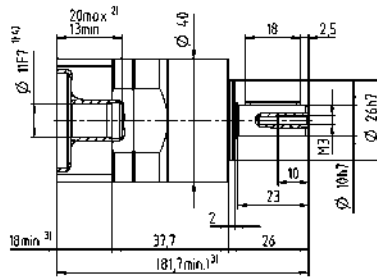
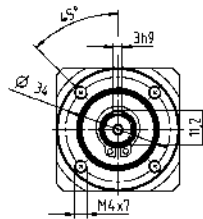
<sup>e)</sup> Valid for: Smooth shaft

<sup>1)</sup> At increased lateral forces – see glossary

Motor shaft diameter [mm]

# 1-stage

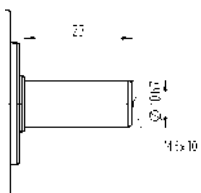
up to 11<sup>4)</sup> (B)<sup>5)</sup>  
clamping hub  
diameter



Planetary Gearboxes  
Basic Line

## Other output variants

Smooth shaft



Non-tolerated dimensions are nominal dimensions

<sup>1)</sup> Check motor shaft fit

<sup>2)</sup> Min. / Max. permissible motor shaft length

Longer motor shafts are possible, please contact alpha

<sup>3)</sup> The dimensions depend on the motor

<sup>4)</sup> Smaller motor shaft diameter is compensated by a bushing with a minimum wall thickness of 1 mm

<sup>5)</sup> Standard clamping hub diameter

# CP 005 MF 2-stage

			2-stage									
Ratio	i		16	20	25	28	35	40	50	70	100	
Max. torque <sup>a) b) e)</sup>	$T_{2a}$	Nm	17	17	21	17	21	17	21	21	20	
		in.lb	150	150	186	150	186	150	186	186	177	
Max. acceleration torque <sup>b)</sup> (max. 1000 cycles per hour)	$T_{2B}$	Nm	11	11	14	11	14	11	14	14	13	
		in.lb	97	97	124	97	124	97	124	124	115	
Emergency stop torque <sup>a) b) e)</sup> (permitted 1000 times during the service life of the gearbox)	$T_{2Not}$	Nm	26	26	26	26	26	26	26	26	26	
		in.lb	230	230	230	230	230	230	230	230	230	
Permitted average input speed <sup>d)</sup> (at $T_{2a}$ and 20 °C ambient temperature)	$n_{1N}$	rpm	3800	3800	3800	3800	4300	4300	4300	4300	4300	
Max. input speed	$n_{1Max}$	rpm	9000	9000	9000	9000	9000	9000	9000	9000	9000	
Mean no load running torque <sup>b)</sup> (at $n_1=3000$ rpm and 20 °C gearbox temperature)	$T_{012}$	Nm	0.09	0.08	0.08	0.08	0.07	0.07	0.07	0.06	0.06	
		in.lb	0.8	0.71	0.71	0.71	0.62	0.62	0.62	0.53	0.53	
Max. backlash	$j_t$	arcmin	≤ 18									
Torsional rigidity <sup>b)</sup>	$C_{t21}$	Nm/arcmin	0.58	0.58	0.58	0.58	0.58	0.58	0.58	0.58	0.52	
		in.lb/arcmin	5.1	5.1	5.1	5.1	5.1	5.1	5.1	5.1	4.6	
Max. axial force <sup>c)</sup>	$F_{2AMax}$	N	240									
		lb <sub>f</sub>	54									
Max. lateral force <sup>c) 9)</sup>	$F_{2OMax}$	N	170									
		lb <sub>f</sub>	38									
Max. tilting moment	$M_{2KMax}$	Nm	4									
		in.lb	35									
Efficiency at full load	$\eta$	%	95									
Service life	$L_h$	h	> 20000									
Weight (incl. standard adapter plate)	m	kg	0.7									
		lb <sub>m</sub>	1.5									
Operating noise (at reference ratio and reference speed – ratio-specific values available in cymex®)	$L_{PA}$	dB(A)	≤ 59									
Max. permitted housing temperature		°C	+90									
		°F	+194									
Ambient temperature		°C	-15 to +40									
		°F	+5 to +104									
Lubrication			Lubricated for life									
Direction of rotation			In- and output same direction									
Protection class			IP 64									
Elastomer coupling (recommended product type – validate sizing with cymex®)			ELC-0005BA010.000-X									
Bore diameter of coupling on the application side		mm	X = 004.000 - 012.700									
Mass moment of inertia (relates to the drive) Clamping hub diameter [mm]	B	11	$J_t$	kgcm <sup>2</sup>	0.04	0.04	0.04	0.04	0.04	0.04	0.03	0.03
				10 <sup>-3</sup> in.lb.s <sup>2</sup>	0.04	0.04	0.04	0.04	0.04	0.04	0.03	0.03

Please use our sizing software cymex® for a detailed sizing – [www.wittenstein-cymex.com](http://www.wittenstein-cymex.com)

<sup>a)</sup> Valid for torque transmission only

<sup>b)</sup> Valid for standard clamping hub diameter

<sup>c)</sup> Refers to center of the output shaft or flange

<sup>d)</sup> Please reduce input speed at higher ambient temperatures

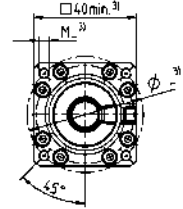
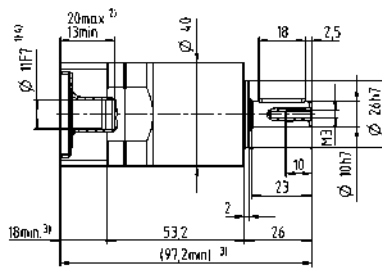
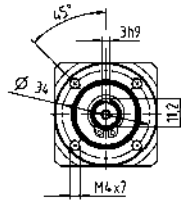
<sup>e)</sup> Valid for: Smooth shaft

<sup>9)</sup> At increased lateral forces – see glossary

Motor shaft diameter [mm]

# 2-stage

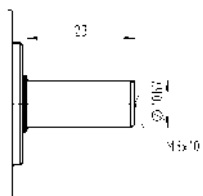
up to 11<sup>4)</sup> (B)<sup>5)</sup>  
clamping hub diameter



Planetary Gearboxes  
Basic Line

## Other output variants

Smooth shaft



Non-tolerated dimensions are nominal dimensions

<sup>1)</sup> Check motor shaft fit

<sup>2)</sup> Min. / Max. permissible motor shaft length

Longer motor shafts are possible, please contact alpha

<sup>3)</sup> The dimensions depend on the motor

<sup>4)</sup> Smaller motor shaft diameter is compensated by a bushing with a minimum wall thickness of 1 mm

<sup>5)</sup> Standard clamping hub diameter

# CP 015 MF 1-stage

			1-stage							
Ratio	i		3	4	5	7	8	10		
Max. torque <sup>a) b) e)</sup>	$T_{2a}$	Nm	48	56	58	58	56	56		
		in.lb	425	496	513	513	496	496		
Max. acceleration torque <sup>b)</sup> (max. 1000 cycles per hour)	$T_{2B}$	Nm	30	35	40	40	35	35		
		in.lb	266	310	354	354	310	310		
Emergency stop torque <sup>a) b) e)</sup> (permitted 1000 times during the service life of the gearbox)	$T_{2Not}$	Nm	75	75	75	75	75	75		
		in.lb	664	664	664	664	664	664		
Permitted average input speed <sup>d)</sup> (at $T_{2a}$ and 20 °C ambient temperature)	$n_{1N}$	rpm	3300	3300	3300	4000	4000	4000		
Max. input speed	$n_{1Max}$	rpm	7000	7000	7000	7000	7000	7000		
Mean no load running torque <sup>b)</sup> (at $n_1=3000$ rpm and 20 °C gearbox temperature)	$T_{012}$	Nm	0.25	0.2	0.17	0.15	0.14	0.13		
		in.lb	2.2	1.8	1.5	1.3	1.2	1.2		
Max. backlash	$j_t$	arcmin	≤ 12							
Torsional rigidity <sup>b)</sup>	$C_{t21}$	Nm/arcmin	2.1	2.1	2.1	2.1	1.9	1.9		
		in.lb/arcmin	19	19	19	19	17	17		
Max. axial force <sup>c)</sup>	$F_{2AMax}$	N	750							
		lb <sub>f</sub>	169							
Max. lateral force <sup>c) 1)</sup>	$F_{2OMax}$	N	500							
		lb <sub>f</sub>	113							
Max. tilting moment	$M_{2KMMax}$	Nm	17							
		in.lb	150							
Efficiency at full load	$\eta$	%	97							
Service life	$L_h$	h	> 20000							
Weight (incl. standard adapter plate)	m	kg	1.4							
		lb <sub>m</sub>	3.1							
Operating noise (at reference ratio and reference speed – ratio-specific values available in cymex®)	$L_{PA}$	dB(A)	≤ 60							
Max. permitted housing temperature		°C	+90							
		°F	+194							
Ambient temperature		°C	-15 to +40							
		°F	+5 to +104							
Lubrication			Lubricated for life							
Direction of rotation			In- and output same direction							
Protection class			IP 64							
Elastomer coupling (recommended product type – validate sizing with cymex®)			ELC-0020BA014.000-X							
Bore diameter of coupling on the application side		mm	X = 008.000 - 025.000							
Mass moment of inertia (relates to the drive) Clamping hub diameter [mm]	C	14	$J_1$	kgcm <sup>2</sup>	0.23	0.2	0.18	0.15	0.15	0.15
				10 <sup>-3</sup> in.lb.s <sup>2</sup>	0.2	0.18	0.16	0.13	0.13	0.13
	E	19	$J_1$	kgcm <sup>2</sup>	0.43	0.4	0.39	0.38	0.38	0.37
				10 <sup>-3</sup> in.lb.s <sup>2</sup>	0.38	0.35	0.35	0.34	0.34	0.33

Please use our sizing software cymex® for a detailed sizing – [www.wittenstein-cymex.com](http://www.wittenstein-cymex.com)

<sup>a)</sup> Valid for torque transmission only

<sup>b)</sup> Valid for standard clamping hub diameter

<sup>c)</sup> Refers to center of the output shaft or flange

<sup>d)</sup> Please reduce input speed at higher ambient temperatures

<sup>e)</sup> Valid for: Smooth shaft

<sup>1)</sup> At increased lateral forces – see glossary

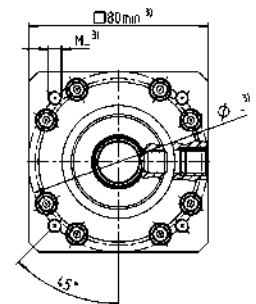
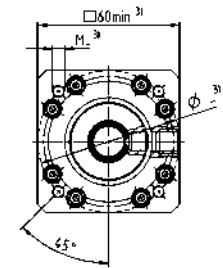
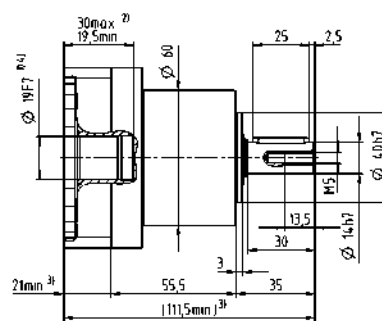
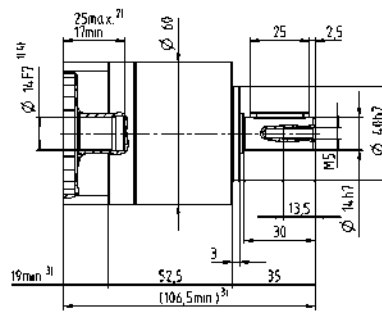
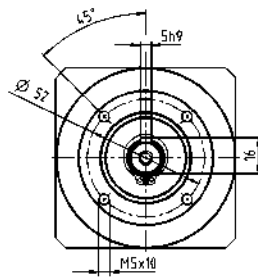
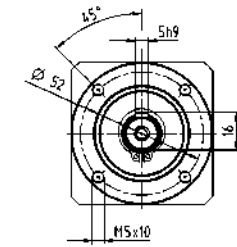


# 1-stage

up to 14<sup>4)</sup> (C)<sup>5)</sup>  
clamping hub  
diameter

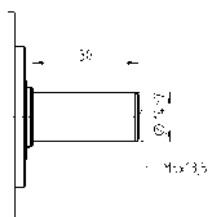
Motor shaft diameter [mm]

up to 19<sup>4)</sup> (E)  
clamping hub  
diameter



## Other output variants

Smooth shaft



Non-tolerated dimensions are nominal dimensions

<sup>1)</sup> Check motor shaft fit

<sup>2)</sup> Min. / Max. permissible motor shaft length

Longer motor shafts are possible, please contact alpha

<sup>3)</sup> The dimensions depend on the motor

<sup>4)</sup> Smaller motor shaft diameter is compensated

by a bushing with a minimum wall thickness of 1 mm

<sup>5)</sup> Standard clamping hub diameter

# CP 015 MF 2-stage

			2-stage														
Ratio	i		9	12	15	16	20	25	28	30	35	40	50	70	100		
Max. torque <sup>a) b) e)</sup>	$T_{2a}$	Nm	48	48	48	56	56	58	56	48	58	56	58	58	56		
		in.lb	425	425	425	496	496	513	496	425	513	496	513	513	496		
Max. acceleration torque <sup>b)</sup> (max. 1000 cycles per hour)	$T_{2B}$	Nm	30	30	30	35	35	40	35	30	40	35	40	40	35		
		in.lb	266	266	266	310	310	354	310	266	354	310	354	354	310		
Emergency stop torque <sup>a) b) e)</sup> (permitted 1000 times during the service life of the gearbox)	$T_{2Not}$	Nm	75	75	75	75	75	75	75	75	75	75	75	75	75		
		in.lb	664	664	664	664	664	664	664	664	664	664	664	664	664		
Permitted average input speed <sup>d)</sup> (at $T_{2a}$ and 20 °C ambient temperature)	$n_{1N}$	rpm	3300	3300	3300	3300	3300	3300	3300	3300	3300	3300	3300	4000	4000		
Max. input speed	$n_{1Max}$	rpm	7000	7000	7000	7000	7000	7000	7000	7000	7000	7000	7000	7000	7000		
Mean no load running torque <sup>b)</sup> (at $n_1=3000$ rpm and 20 °C gearbox temperature)	$T_{012}$	Nm	0.33	0.28	0.26	0.25	0.22	0.21	0.2	0.21	0.18	0.17	0.16	0.15	0.14		
		in.lb	2.9	2.5	2.3	2.2	1.9	1.9	1.8	1.9	1.6	1.5	1.4	1.3	1.2		
Max. backlash	$j_t$	arcmin	≤ 15														
Torsional rigidity <sup>b)</sup>	$C_{t21}$	Nm/arcmin	2.1	2.1	2.1	2.1	2.1	2.1	2.1	2.1	2.1	2.1	2.1	2.1	1.9		
		in.lb/arcmin	19	19	19	19	19	19	19	19	19	19	19	19	17		
Max. axial force <sup>c)</sup>	$F_{2AMax}$	N	750														
		lb <sub>f</sub>	169														
Max. lateral force <sup>c) 9)</sup>	$F_{2OMax}$	N	500														
		lb <sub>f</sub>	113														
Max. tilting moment	$M_{2KMMax}$	Nm	17														
		in.lb	150														
Efficiency at full load	$\eta$	%	95														
Service life	$L_h$	h	> 20000														
Weight (incl. standard adapter plate)	m	kg	1.8														
		lb <sub>m</sub>	4														
Operating noise (at reference ratio and reference speed – ratio-specific values available in cymex®)	$L_{PA}$	dB(A)	≤ 60														
Max. permitted housing temperature		°C	+90														
		°F	+194														
Ambient temperature		°C	-15 to +40														
		°F	+5 to +104														
Lubrication			Lubricated for life														
Direction of rotation			In- and output same direction														
Protection class			IP 64														
Elastomer coupling (recommended product type – validate sizing with cymex®) Bore diameter of coupling on the application side			ELC-0020BA014.000-X														
		mm	X = 008.000 - 025.000														
Mass moment of inertia (relates to the drive) Clamping hub diameter [mm]	C	14	$J_1$	kgcm <sup>2</sup>	0.22	0.22	0.21	0.2	0.19	0.18	0.17	0.19	0.16	0.17	0.16	0.15	0.15
				10 <sup>-3</sup> in.lb.s <sup>2</sup>	0.19	0.19	0.19	0.18	0.17	0.16	0.17	0.14	0.15	0.14	0.13	0.13	
	E	19	$J_1$	kgcm <sup>2</sup>	0.43	0.42	0.42	0.4	0.4	0.39	0.39	0.41	0.39	0.39	0.38	0.38	0.37
				10 <sup>-3</sup> in.lb.s <sup>2</sup>	0.38	0.37	0.37	0.35	0.35	0.35	0.35	0.36	0.35	0.35	0.34	0.34	0.33

Please use our sizing software cymex® for a detailed sizing – [www.wittenstein-cymex.com](http://www.wittenstein-cymex.com)

<sup>a)</sup> Valid for torque transmission only

<sup>b)</sup> Valid for standard clamping hub diameter

<sup>c)</sup> Refers to center of the output shaft or flange

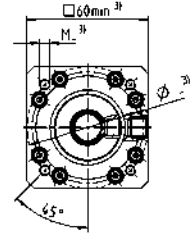
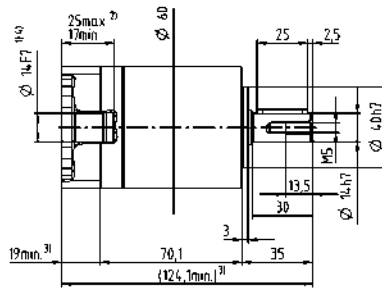
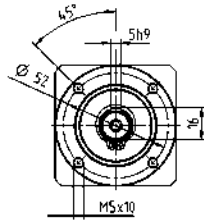
<sup>d)</sup> Please reduce input speed at higher ambient temperatures

<sup>e)</sup> Valid for: Smooth shaft

<sup>9)</sup> At increased lateral forces – see glossary

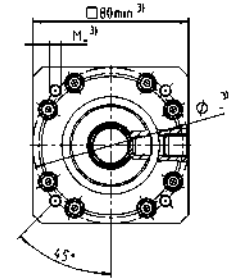
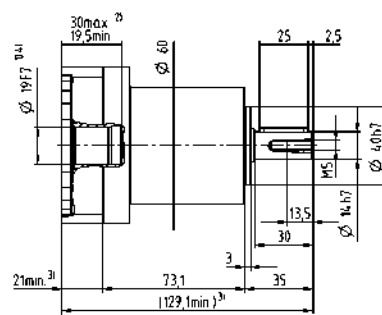
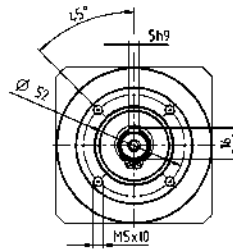
# 2-stage

up to 14<sup>4)</sup> (C)<sup>5)</sup>  
clamping hub  
diameter



Motor shaft diameter [mm]

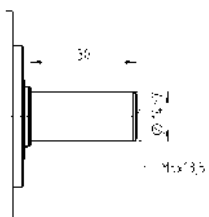
up to 19<sup>4)</sup> (E)  
clamping hub  
diameter



Planetary Gearboxes  
Basic Line

## Other output variants

Smooth shaft



Non-tolerated dimensions are nominal dimensions

<sup>1)</sup> Check motor shaft fit

<sup>2)</sup> Min. / Max. permissible motor shaft length

Longer motor shafts are possible, please contact alpha

<sup>3)</sup> The dimensions depend on the motor

<sup>4)</sup> Smaller motor shaft diameter is compensated

by a bushing with a minimum wall thickness of 1 mm

<sup>5)</sup> Standard clamping hub diameter

# CP 025 MF 1-stage

			1-stage							
Ratio	i		3	4	5	7	8	10		
Max. torque <sup>a) b) e)</sup>	$T_{2a}$	Nm	112	150	150	150	144	144		
		in.lb	991	1328	1328	1328	1275	1275		
Max. acceleration torque <sup>b)</sup> (max. 1000 cycles per hour)	$T_{2B}$	Nm	70	95	100	100	90	90		
		in.lb	620	841	885	885	797	797		
Emergency stop torque <sup>a) b) e)</sup> (permitted 1000 times during the service life of the gearbox)	$T_{2Not}$	Nm	114	152	187	187	187	187		
		in.lb	1009	1345	1655	1655	1655	1655		
Permitted average input speed <sup>d)</sup> (at $T_{2a}$ and 20 °C ambient temperature)	$n_{1N}$	rpm	3100	3100	3100	3600	3600	3600		
Max. input speed	$n_{1Max}$	rpm	7000	7000	7000	7000	7000	7000		
Mean no load running torque <sup>b)</sup> (at $n_1=3000$ rpm and 20 °C gearbox temperature)	$T_{012}$	Nm	0.38	0.3	0.26	0.23	0.21	0.19		
		in.lb	3.4	2.7	2.3	2	1.9	1.7		
Max. backlash	$j_t$	arcmin	≤ 12							
Torsional rigidity <sup>b)</sup>	$C_{t21}$	Nm/arcmin	6.1	6.1	6.1	6.1	5.5	5.5		
		in.lb/arcmin	54	54	54	54	49	49		
Max. axial force <sup>c)</sup>	$F_{2AMax}$	N	1600							
		lb <sub>f</sub>	360							
Max. lateral force <sup>c)</sup>	$F_{2OMax}$	N	1200							
		lb <sub>f</sub>	270							
Max. tilting moment	$M_{2KMMax}$	Nm	54							
		in.lb	478							
Efficiency at full load	$\eta$	%	97							
Service life	$L_h$	h	> 20000							
Weight (incl. standard adapter plate)	m	kg	2.9							
		lb <sub>m</sub>	6.4							
Operating noise (at reference ratio and reference speed – ratio-specific values available in cymex®)	$L_{PA}$	dB(A)	≤ 62							
Max. permitted housing temperature		°C	+90							
		°F	+194							
Ambient temperature		°C	-15 to +40							
		°F	+5 to +104							
Lubrication			Lubricated for life							
Direction of rotation			In- and output same direction							
Protection class			IP 64							
Elastomer coupling (recommended product type – validate sizing with cymex®)			ELC-0060BA020.000-X							
Bore diameter of coupling on the application side		mm	X = 012.000 - 032.000							
Mass moment of inertia (relates to the drive) Clamping hub diameter [mm]	E	19	$J_1$	kgcm <sup>2</sup>	0.66	0.53	0.48	0.43	0.41	0.4
				10 <sup>-3</sup> in.lb.s <sup>2</sup>	0.58	0.47	0.42	0.38	0.36	0.35
	G	24	$J_1$	kgcm <sup>2</sup>	1.5	1.4	1.3	1.3	1.3	1.3
				10 <sup>-3</sup> in.lb.s <sup>2</sup>	1.3	1.2	1.2	1.2	1.2	1.2

Please use our sizing software cymex® for a detailed sizing – [www.wittenstein-cymex.com](http://www.wittenstein-cymex.com)

<sup>a)</sup> Valid for torque transmission only

<sup>b)</sup> Valid for standard clamping hub diameter

<sup>c)</sup> Refers to center of the output shaft or flange

<sup>d)</sup> Please reduce input speed at higher ambient temperatures

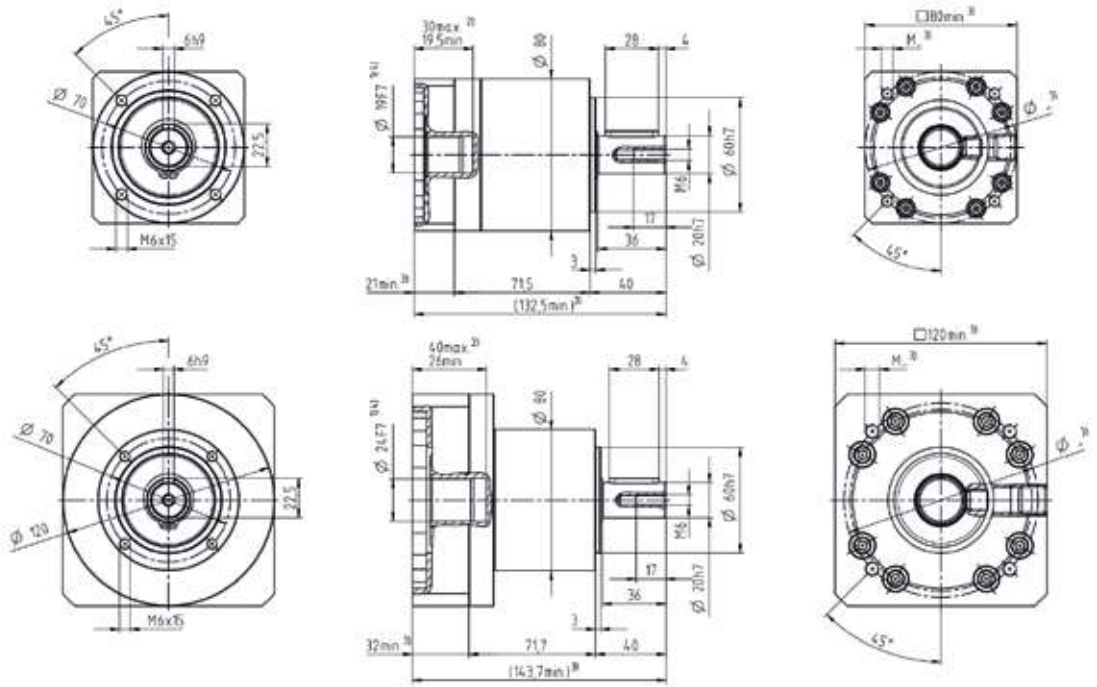
<sup>e)</sup> Valid for: Smooth shaft

# 1-stage

up to 19<sup>4)</sup> (E)<sup>5)</sup>  
clamping hub  
diameter

Motor shaft diameter [mm]

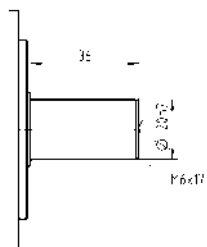
up to 24<sup>4)</sup> (G)  
clamping hub  
diameter



Planetary Gearboxes  
Basic Line

## Other output variants

Smooth shaft



Non-tolerated dimensions are nominal dimensions

<sup>1)</sup> Check motor shaft fit

<sup>2)</sup> Min. / Max. permissible motor shaft length

Longer motor shafts are possible, please contact alpha

<sup>3)</sup> The dimensions depend on the motor

<sup>4)</sup> Smaller motor shaft diameter is compensated

by a bushing with a minimum wall thickness of 1 mm

<sup>5)</sup> Standard clamping hub diameter

# CP 025 MF 2-stage

			2-stage														
Ratio	i		9	12	15	16	20	25	28	30	35	40	50	70	100		
Max. torque <sup>a) b) e)</sup>	$T_{2a}$	Nm	112	112	112	150	150	150	150	112	150	150	150	150	144		
		in.lb	991	991	991	1328	1328	1328	1328	991	1328	1328	1328	1328	1328	1275	
Max. acceleration torque <sup>b)</sup> (max. 1000 cycles per hour)	$T_{2B}$	Nm	70	70	70	95	95	95	95	70	100	95	100	100	90		
		in.lb	620	620	620	841	841	841	841	620	885	841	885	885	797		
Emergency stop torque <sup>a) b) e)</sup> (permitted 1000 times during the service life of the gearbox)	$T_{2Not}$	Nm	187	187	187	187	187	187	187	187	187	187	187	187	187		
		in.lb	1655	1655	1655	1655	1655	1655	1655	1655	1655	1655	1655	1655	1655		
Permitted average input speed <sup>d)</sup> (at $T_{2a}$ and 20 °C ambient temperature)	$n_{1N}$	rpm	3100	3100	3100	3100	3100	3100	3100	3100	3100	3100	3100	3600	3600		
Max. input speed	$n_{1Max}$	rpm	7000	7000	7000	7000	7000	7000	7000	7000	7000	7000	7000	7000	7000		
Mean no load running torque <sup>b)</sup> (at $n_1=3000$ rpm and 20 °C gearbox temperature)	$T_{012}$	Nm	0.5	0.43	0.39	0.38	0.34	0.32	0.3	0.31	0.28	0.26	0.24	0.22	0.21		
		in.lb	4.4	3.8	3.5	3.4	3	2.8	2.7	2.7	2.5	2.3	2.1	1.9	1.9		
Max. backlash	$j_t$	arcmin	≤ 15														
Torsional rigidity <sup>b)</sup>	$C_{t21}$	Nm/arcmin	6.1	6.1	6.1	6.1	6.1	6.1	6.1	6.1	6.1	6.1	6.1	6.1	5.5		
		in.lb/arcmin	54	54	54	54	54	54	54	54	54	54	54	54	49		
Max. axial force <sup>c)</sup>	$F_{2AMax}$	N	1600														
		lb <sub>f</sub>	360														
Max. lateral force <sup>c)</sup>	$F_{2OMax}$	N	1200														
		lb <sub>f</sub>	270														
Max. tilting moment	$M_{2KMMax}$	Nm	54														
		in.lb	478														
Efficiency at full load	$\eta$	%	95														
Service life	$L_h$	h	> 20000														
Weight (incl. standard adapter plate)	m	kg	3.7														
		lb <sub>m</sub>	8.2														
Operating noise (at reference ratio and reference speed – ratio-specific values available in cymex®)	$L_{PA}$	dB(A)	≤ 62														
Max. permitted housing temperature		°C	+90														
		°F	+194														
Ambient temperature		°C	-15 to +40														
		°F	+5 to +104														
Lubrication			Lubricated for life														
Direction of rotation			In- and output same direction														
Protection class			IP 64														
Elastomer coupling (recommended product type – validate sizing with cymex®)			ELC-0060BA020.000-X														
Bore diameter of coupling on the application side		mm	X = 012.000 - 032.000														
Mass moment of inertia (relates to the drive) Clamping hub diameter [mm]	E	19	$J_1$	kgcm <sup>2</sup>	0.66	1.4	1.6	0.98	1.1	0.82	1.2	2.1	0.88	1.4	1	0.71	0.54
				10 <sup>-3</sup> in.lb.s <sup>2</sup>	0.58	1.2	1.4	0.87	0.97	0.73	1.1	1.9	0.78	1.2	0.89	0.63	0.48
	G	24	$J_1$	kgcm <sup>2</sup>	1.5	2.3	2.4	1.8	1.9	1.7	2	3	1.7	2.2	1.9	1.6	1.4
				10 <sup>-3</sup> in.lb.s <sup>2</sup>	1.3	2	2.1	1.6	1.7	1.5	1.8	2.7	1.5	1.9	1.7	1.4	1.2

Please use our sizing software cymex® for a detailed sizing – [www.wittenstein-cymex.com](http://www.wittenstein-cymex.com)

<sup>a)</sup> Valid for torque transmission only

<sup>b)</sup> Valid for standard clamping hub diameter

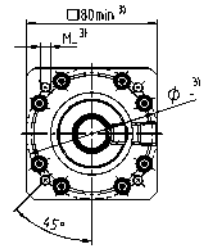
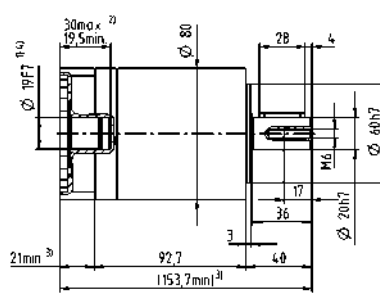
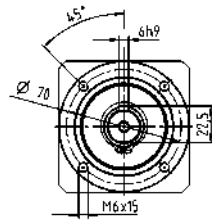
<sup>c)</sup> Refers to center of the output shaft or flange

<sup>d)</sup> Please reduce input speed at higher ambient temperatures

<sup>e)</sup> Valid for: Smooth shaft

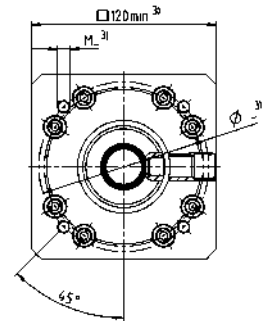
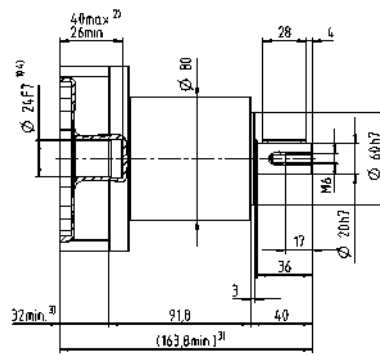
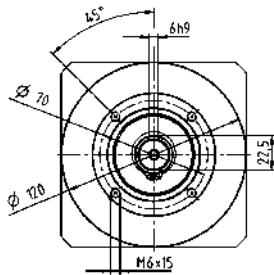
# 2-stage

up to 19<sup>4)</sup> (E)<sup>5)</sup>  
clamping hub  
diameter



Motor shaft diameter [mm]

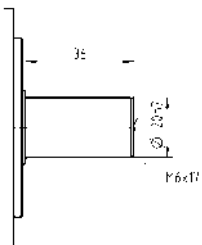
up to 24<sup>4)</sup> (G)  
clamping hub  
diameter



Planetary Gearboxes  
Basic Line

## Other output variants

Smooth shaft



Non-tolerated dimensions are nominal dimensions

<sup>1)</sup> Check motor shaft fit

<sup>2)</sup> Min. / Max. permissible motor shaft length

Longer motor shafts are possible, please contact alpha

<sup>3)</sup> The dimensions depend on the motor

<sup>4)</sup> Smaller motor shaft diameter is compensated

by a bushing with a minimum wall thickness of 1 mm

<sup>5)</sup> Standard clamping hub diameter

# CP 035 MF 1-stage

			1-stage							
Ratio	i		3	4	5	7	8	10		
Max. torque <sup>a) b) e)</sup>	$T_{2a}$	Nm	272	272	272	272	272	272		
		in.lb	2407	2407	2407	2407	2407	2407		
Max. acceleration torque <sup>b)</sup> (max. 1000 cycles per hour)	$T_{2B}$	Nm	175	255	250	250	220	220		
		in.lb	1549	2257	2213	2213	1947	1947		
Emergency stop torque <sup>a) b) e)</sup> (permitted 1000 times during the service life of the gearbox)	$T_{2Not}$	Nm	460	480	480	480	470	480		
		in.lb	4071	4248	4248	4248	4160	4248		
Permitted average input speed <sup>d)</sup> (at $T_{2a}$ and 20 °C ambient temperature)	$n_{1N}$	rpm	2300	2300	2300	2800	2800	2800		
Max. input speed	$n_{1Max}$	rpm	5500	5500	5500	5500	5500	5500		
Mean no load running torque <sup>b)</sup> (at $n_1=3000$ rpm and 20 °C gearbox temperature)	$T_{012}$	Nm	0.95	0.76	0.66	0.57	0.52	0.48		
		in.lb	8.4	6.7	5.8	5	4.6	4.2		
Max. backlash	$j_t$	arcmin	≤ 12							
Torsional rigidity <sup>b)</sup>	$C_{t21}$	Nm/arcmin	16	16	16	16	14	14		
		in.lb/arcmin	142	142	142	142	124	124		
Max. axial force <sup>c)</sup>	$F_{2AMax}$	N	2500							
		lb <sub>f</sub>	563							
Max. lateral force <sup>c)</sup>	$F_{2OMax}$	N	1750							
		lb <sub>f</sub>	394							
Max. tilting moment	$M_{2KMMax}$	Nm	98							
		in.lb	867							
Efficiency at full load	$\eta$	%	97							
Service life	$L_h$	h	> 20000							
Weight (incl. standard adapter plate)	m	kg	7.5							
		lb <sub>m</sub>	17							
Operating noise (at reference ratio and reference speed – ratio-specific values available in cymex®)	$L_{PA}$	dB(A)	≤ 66							
Max. permitted housing temperature		°C	+90							
		°F	+194							
Ambient temperature		°C	-15 to +40							
		°F	+5 to +104							
Lubrication			Lubricated for life							
Direction of rotation			In- and output same direction							
Protection class			IP 64							
Elastomer coupling (recommended product type – validate sizing with cymex®)			ELC-0150BA025.000-X							
Bore diameter of coupling on the application side		mm	X = 019.000 - 036.000							
Mass moment of inertia (relates to the drive) Clamping hub diameter [mm]	G	24	$J_1$	kgcm <sup>2</sup>	2.6	1.9	1.7	1.5	1.4	1.4
				10 <sup>-3</sup> in.lb.s <sup>2</sup>	2.3	1.7	1.5	1.3	1.2	1.2
	K	38	$J_1$	kgcm <sup>2</sup>	7.8	7.1	6.9	6.7	6.6	6.5
				10 <sup>-3</sup> in.lb.s <sup>2</sup>	6.9	6.3	6.1	5.9	5.8	5.8

Please use our sizing software cymex® for a detailed sizing – [www.wittenstein-cymex.com](http://www.wittenstein-cymex.com)

<sup>a)</sup> Valid for torque transmission only

<sup>b)</sup> Valid for standard clamping hub diameter

<sup>c)</sup> Refers to center of the output shaft or flange

<sup>d)</sup> Please reduce input speed at higher ambient temperatures

<sup>e)</sup> Valid for: Smooth shaft

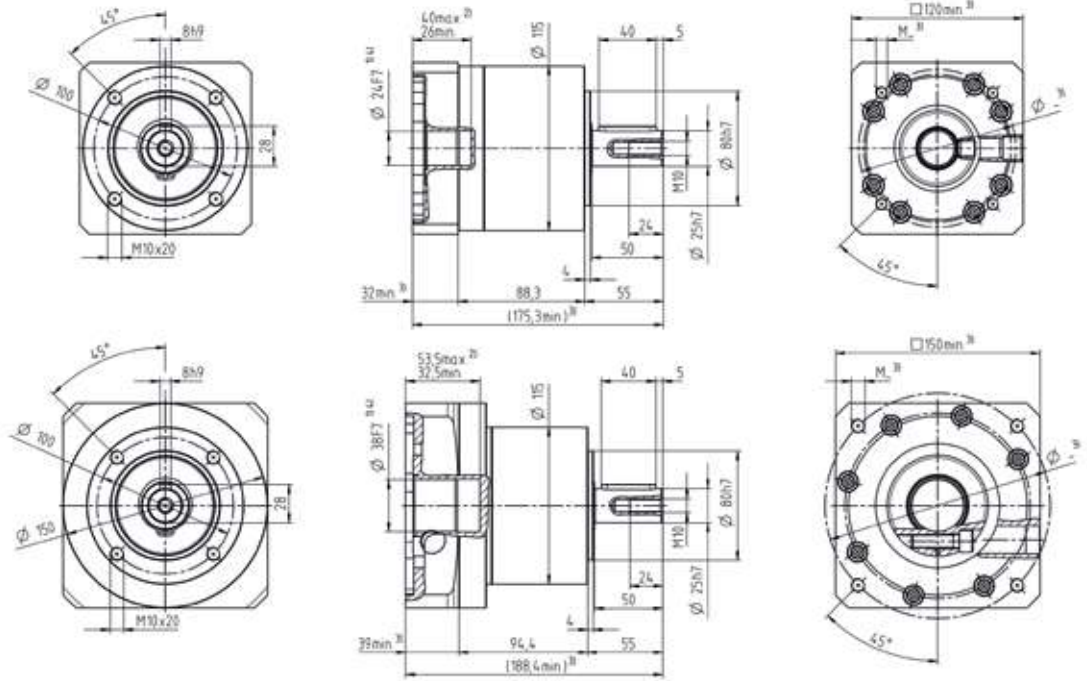


# 1-stage

up to 24<sup>4)</sup> (G)<sup>5)</sup>  
clamping hub  
diameter

Motor shaft diameter [mm]

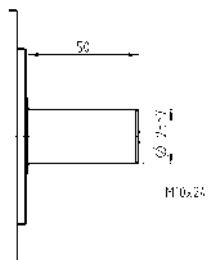
up to 38<sup>4)</sup> (K)  
clamping hub  
diameter



Planetary Gearboxes  
Basic Line

## Other output variants

Smooth shaft



Non-tolerated dimensions are nominal dimensions

<sup>1)</sup> Check motor shaft fit

<sup>2)</sup> Min. / Max. permissible motor shaft length

Longer motor shafts are possible, please contact alpha

<sup>3)</sup> The dimensions depend on the motor

<sup>4)</sup> Smaller motor shaft diameter is compensated

by a bushing with a minimum wall thickness of 1 mm

<sup>5)</sup> Standard clamping hub diameter

# CP 035 MF 2-stage

			2-stage														
Ratio	i		9	12	15	16	20	25	28	30	35	40	50	70	100		
Max. torque <sup>a) b) e)</sup>	$T_{2a}$	Nm	272	272	272	272	272	272	272	272	272	272	272	272	272		
		in.lb	2407	2407	2407	2407	2407	2407	2407	2407	2407	2407	2407	2407	2407	2407	
Max. acceleration torque <sup>b)</sup> (max. 1000 cycles per hour)	$T_{2B}$	Nm	175	175	175	255	255	250	255	175	250	255	250	250	220		
		in.lb	1549	1549	1549	2257	2257	2213	2257	1549	2213	2257	2213	2213	1947		
Emergency stop torque <sup>a) b) e)</sup> (permitted 1000 times during the service life of the gearbox)	$T_{2Not}$	Nm	480	480	480	480	480	480	480	315	480	480	480	480	480		
		in.lb	4248	4248	4248	4248	4248	4248	4248	2788	4248	4248	4248	4248	4248		
Permitted average input speed <sup>d)</sup> (at $T_{2a}$ and 20 °C ambient temperature)	$n_{1N}$	rpm	2300	2300	2300	2300	2300	2300	2300	2300	2300	2300	2300	2800	2800		
Max. input speed	$n_{1Max}$	rpm	5500	5500	5500	5500	5500	5500	5500	5500	5500	5500	5500	5500	5500		
Mean no load running torque <sup>b)</sup> (at $n_1=3000$ rpm and 20 °C gearbox temperature)	$T_{012}$	Nm	1.3	1.1	0.98	0.95	0.85	0.8	0.76	0.79	0.7	0.66	0.61	0.56	0.52		
		in.lb	12	9.7	8.7	8.4	7.5	7.1	6.7	7	6.2	5.8	5.4	5	4.6		
Max. backlash	$j_t$	arcmin	≤ 15														
Torsional rigidity <sup>b)</sup>	$C_{t21}$	Nm/arcmin	16	16	16	16	16	16	16	16	16	16	16	16	14		
		in.lb/arcmin	142	142	142	142	142	142	142	142	142	142	142	142	124		
Max. axial force <sup>c)</sup>	$F_{2AMax}$	N	2500														
		lb <sub>f</sub>	563														
Max. lateral force <sup>c)</sup>	$F_{2OMax}$	N	1750														
		lb <sub>f</sub>	394														
Max. tilting moment	$M_{2KMax}$	Nm	98														
		in.lb	867														
Efficiency at full load	$\eta$	%	95														
Service life	$L_h$	h	> 20000														
Weight (incl. standard adapter plate)	m	kg	9.6														
		lb <sub>m</sub>	21														
Operating noise (at reference ratio and reference speed – ratio-specific values available in cymex®)	$L_{PA}$	dB(A)	≤ 66														
Max. permitted housing temperature		°C	+90														
		°F	+194														
Ambient temperature		°C	-15 to +40														
		°F	+5 to +104														
Lubrication			Lubricated for life														
Direction of rotation			In- and output same direction														
Protection class			IP 64														
Elastomer coupling (recommended product type – validate sizing with cymex®) Bore diameter of coupling on the application side			ELC-0150BA025.000-X														
		mm	X = 019.000 - 036.000														
Mass moment of inertia (relates to the drive) Clamping hub diameter [mm]	G	24	$J_1$	kgcm <sup>2</sup>	2.7	2.5	2.5	2.3	2.3	2.1	2.4	3.1	2.2	2.6	2.2	1.9	1.7
				10 <sup>-3</sup> in.lb.s <sup>2</sup>	2.4	2.2	2.2	2	2	1.9	2.1	2.7	1.9	2.3	1.9	1.7	1.5
	K	38	$J_1$	kgcm <sup>2</sup>	7.9	7.7	7.8	7.5	7.5	7.3	7.5	8.3	7.4	7.8	7.4	7.1	6.9
				10 <sup>-3</sup> in.lb.s <sup>2</sup>	7	6.8	6.9	6.6	6.6	6.5	6.6	7.3	6.5	6.9	6.5	6.3	6.1

Please use our sizing software cymex® for a detailed sizing – [www.wittenstein-cymex.com](http://www.wittenstein-cymex.com)

<sup>a)</sup> Valid for torque transmission only

<sup>b)</sup> Valid for standard clamping hub diameter

<sup>c)</sup> Refers to center of the output shaft or flange

<sup>d)</sup> Please reduce input speed at higher ambient temperatures

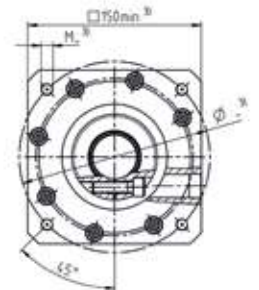
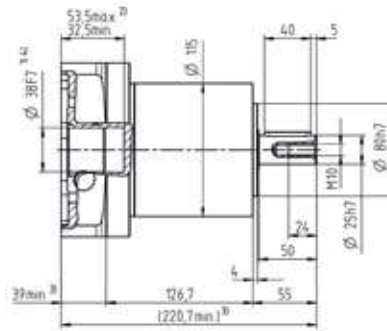
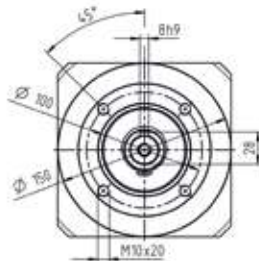
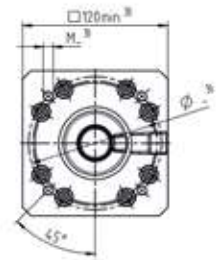
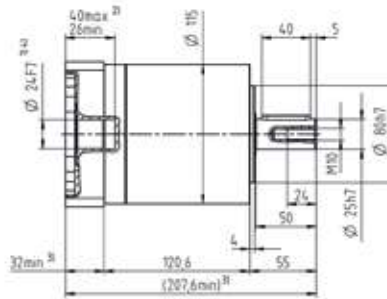
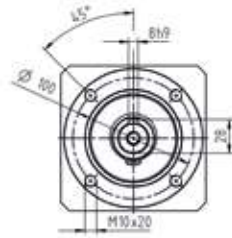
<sup>e)</sup> Valid for: Smooth shaft

# 2-stage

up to 24<sup>4)</sup> (G)<sup>5)</sup>  
clamping hub  
diameter

Motor shaft diameter [mm]

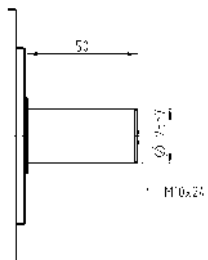
up to 38<sup>4)</sup> (K)  
clamping hub  
diameter



Planetary Gearboxes  
Basic Line

## Other output variants

Smooth shaft



Non-tolerated dimensions are nominal dimensions

<sup>1)</sup> Check motor shaft fit

<sup>2)</sup> Min. / Max. permissible motor shaft length

Longer motor shafts are possible, please contact alpha

<sup>3)</sup> The dimensions depend on the motor

<sup>4)</sup> Smaller motor shaft diameter is compensated

by a bushing with a minimum wall thickness of 1 mm

<sup>5)</sup> Standard clamping hub diameter

# CP 045 MF 1-/2-stage

			1-stage			2-stage				
Ratio	i		5	8	10	25	50	100		
Max. torque <sup>a) b) e)</sup>	$T_{2a}$	Nm	800	640	640	700	700	640		
		in.lb	7081	5665	5665	6196	6196	5665		
Max. acceleration torque <sup>a)</sup> (max. 1000 cycles per hour)	$T_{2B}$	Nm	500	400	400	500	500	400		
		in.lb	4425	3540	3540	4425	4425	3540		
Emergency stop torque <sup>a) b) e)</sup> (permitted 1000 times during the service life of the gearbox)	$T_{2Not}$	Nm	1000	1000	1000	1000	1000	1000		
		in.lb	8851	8851	8851	8851	8851	8851		
Permitted average input speed <sup>d)</sup> (at $T_{2a}$ and 20 °C ambient temperature)	$n_{1N}$	rpm	2000	2200	2300	2600	3000	3000		
Max. input speed	$n_{1Max}$	rpm	4000	4000	4000	6000	6000	6000		
Mean no load running torque <sup>b)</sup> (at $n_i=3000$ rpm and 20 °C gearbox temperature)	$T_{012}$	Nm	2.4	2	1.9	0.8	0.6	0.55		
		in.lb	21	18	17	7.1	5.3	4.9		
Max. backlash	$j_t$	arcmin	≤ 12			≤ 15				
Torsional rigidity <sup>b)</sup>	$C_{121}$	Nm/arcmin	55	44	44	55	55	44		
		in.lb/arcmin	487	389	389	487	487	389		
Max. axial force <sup>c)</sup>	$F_{2AMax}$	N	6000			6000				
		lb <sub>f</sub>								
Max. lateral force <sup>c)</sup>	$F_{2OMax}$	N	8000			8000				
		lb <sub>f</sub>								
Max. tilting moment	$M_{2KMax}$	Nm	704			704				
		in.lb	6231			6231				
Efficiency at full load	$\eta$	%	97			95				
Service life	$L_n$	h	> 20000			> 20000				
Weight (incl. standard adapter plate)	m	kg	20			21				
		lb <sub>m</sub>	44			46				
Operating noise (at reference ratio and reference speed – ratio-specific values available in cymex®)	$L_{PA}$	dB(A)	≤ 68			≤ 65				
Max. permitted housing temperature		°C	+90			+90				
		°F	+194			+194				
Ambient temperature		°C	-15 to +40			-15 to +40				
		°F	+5 to +104			+5 to +104				
Lubrication			Lubricated for life							
Direction of rotation			In- and output same direction							
Protection class			IP 64							
Elastomer coupling (recommended product type – validate sizing with cymex®) Bore diameter of coupling on the application side			ELC-0300BA040.000-X							
			mm	X = 020.000 - 045.000						
Mass moment of inertia (relates to the drive) Clamping hub diameter [mm]	E	19	$J_1$	kgcm <sup>2</sup>	-	-	-	1.2	1.1	0.82
				10 <sup>-3</sup> in.lb.s <sup>2</sup>	-	-	-	1,1	0,97	0,73
	G	24	$J_1$	kgcm <sup>2</sup>	-	-	-	2	1,8	1,6
				10 <sup>-3</sup> in.lb.s <sup>2</sup>	-	-	-	1,8	1,6	1,4
	H	28	$J_1$	kgcm <sup>2</sup>	-	-	-	1,7	1,5	1,3
				10 <sup>-3</sup> in.lb.s <sup>2</sup>	-	-	-	1,5	1,3	1,2
	I	32	$J_1$	kgcm <sup>2</sup>	-	-	-	5,8	5,6	5,4
				10 <sup>-3</sup> in.lb.s <sup>2</sup>	-	-	-	5,1	5	4,8
	K	38	$J_1$	kgcm <sup>2</sup>	8.8	7.4	7.2	7	6,8	6,5
				10 <sup>-3</sup> in.lb.s <sup>2</sup>	7.8	6.5	6.4	6,2	6	5,8

Please use our sizing software cymex® for a detailed sizing – [www.wittenstein-cymex.com](http://www.wittenstein-cymex.com)

<sup>a)</sup> Valid for torque transmission only

<sup>b)</sup> Valid for standard clamping hub diameter

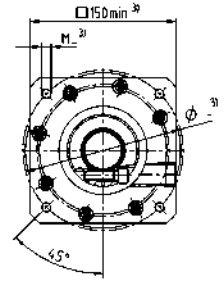
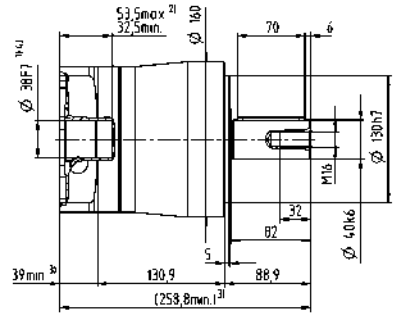
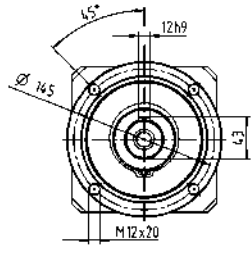
<sup>c)</sup> Refers to center of the output shaft or flange

<sup>d)</sup> Please reduce input speed at higher ambient temperatures

<sup>e)</sup> Valid for: Smooth shaft

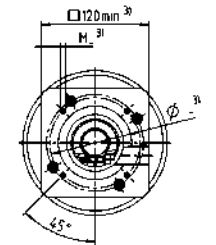
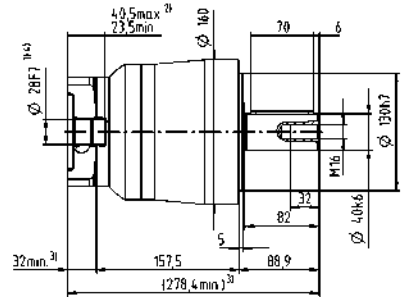
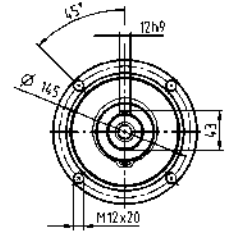
# 1-stage

up to 38<sup>4)</sup> (K)<sup>5)</sup>  
clamping hub  
diameter

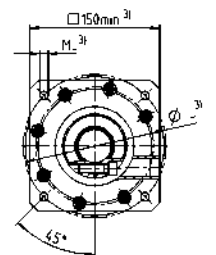
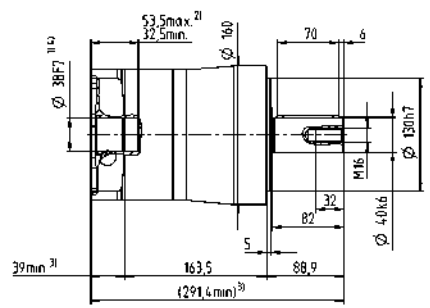
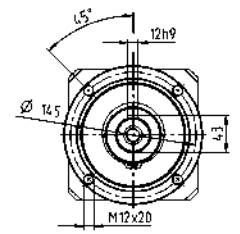


# 2-stage

up to 19/24/28<sup>4)</sup>  
(E/G<sup>5)</sup>/H)  
clamping hub  
diameter



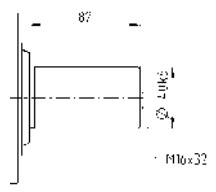
up to 32/38<sup>4)</sup>  
(I/K)  
clamping hub  
diameter



Motor shaft diameter [mm]

## Other output variants

Smooth shaft



- Non-tolerated dimensions are nominal dimensions
- <sup>1)</sup> Check motor shaft fit
- <sup>2)</sup> Min. / Max. permissible motor shaft length  
Longer motor shafts are possible, please contact alpha
- <sup>3)</sup> The dimensions depend on the motor
- <sup>4)</sup> Smaller motor shaft diameter is compensated by a bushing with a minimum wall thickness of 1 mm
- <sup>5)</sup> Standard clamping hub diameter

# CPS 015 MF 1-stage

			1-stage							
Ratio	i		3	4	5	7	8	10		
Max. torque <sup>a) b) e)</sup>	$T_{2a}$	Nm	48	56	58	58	56	56		
		in.lb	425	496	513	513	496	496		
Max. acceleration torque <sup>b)</sup> (max. 1000 cycles per hour)	$T_{2B}$	Nm	30	35	40	40	35	35		
		in.lb	266	310	354	354	310	310		
Emergency stop torque <sup>a) b) e)</sup> (permitted 1000 times during the service life of the gearbox)	$T_{2Not}$	Nm	75	75	75	75	75	75		
		in.lb	664	664	664	664	664	664		
Permitted average input speed <sup>d)</sup> (at $T_{2a}$ and 20 °C ambient temperature)	$n_{1N}$	rpm	3300	3300	3300	4000	4000	4000		
Max. input speed	$n_{1Max}$	rpm	7000	7000	7000	7000	7000	7000		
Mean no load running torque <sup>b)</sup> (at $n_1=3000$ rpm and 20 °C gearbox temperature)	$T_{012}$	Nm	0.25	0.2	0.17	0.15	0.14	0.13		
		in.lb	2.2	1.8	1.5	1.3	1.2	1.2		
Max. backlash	$j_t$	arcmin	≤ 12							
Torsional rigidity <sup>b)</sup>	$C_{t21}$	Nm/arcmin	2.1	2.1	2.1	2.1	1.9	1.9		
		in.lb/arcmin	19	19	19	19	17	17		
Max. axial force <sup>c)</sup>	$F_{2AMax}$	N	750							
		lb <sub>f</sub>	169							
Max. lateral force <sup>c)</sup>	$F_{2OMax}$	N	500							
		lb <sub>f</sub>	113							
Max. tilting moment	$M_{2KMMax}$	Nm	17							
		in.lb	150							
Efficiency at full load	$\eta$	%	97							
Service life	$L_h$	h	> 20000							
Weight (incl. standard adapter plate)	m	kg	1.4							
		lb <sub>m</sub>	3.1							
Operating noise (at reference ratio and reference speed – ratio-specific values available in cymex®)	$L_{PA}$	dB(A)	≤ 60							
Max. permitted housing temperature		°C	+90							
		°F	+194							
Ambient temperature		°C	-15 to +40							
		°F	+5 to +104							
Lubrication			Lubricated for life							
Direction of rotation			In- and output same direction							
Protection class			IP 64							
Elastomer coupling (recommended product type – validate sizing with cymex®)			ELC-0020BA014.000-X							
Bore diameter of coupling on the application side		mm	X = 008.000 - 025.000							
Mass moment of inertia (relates to the drive) Clamping hub diameter [mm]	C	14	$J_1$	kgcm <sup>2</sup>	0.23	0.2	0.18	0.15	0.15	0.15
				10 <sup>-3</sup> in.lb.s <sup>2</sup>	0.2	0.18	0.16	0.13	0.13	0.13
	E	19	$J_1$	kgcm <sup>2</sup>	0.43	0.4	0.39	0.38	0.38	0.37
				10 <sup>-3</sup> in.lb.s <sup>2</sup>	0.38	0.35	0.35	0.34	0.34	0.33

Please use our sizing software cymex® for a detailed sizing – [www.wittenstein-cymex.com](http://www.wittenstein-cymex.com)

<sup>a)</sup> Valid for torque transmission only

<sup>b)</sup> Valid for standard clamping hub diameter

<sup>c)</sup> Refers to center of the output shaft or flange

<sup>d)</sup> Please reduce input speed at higher ambient temperatures

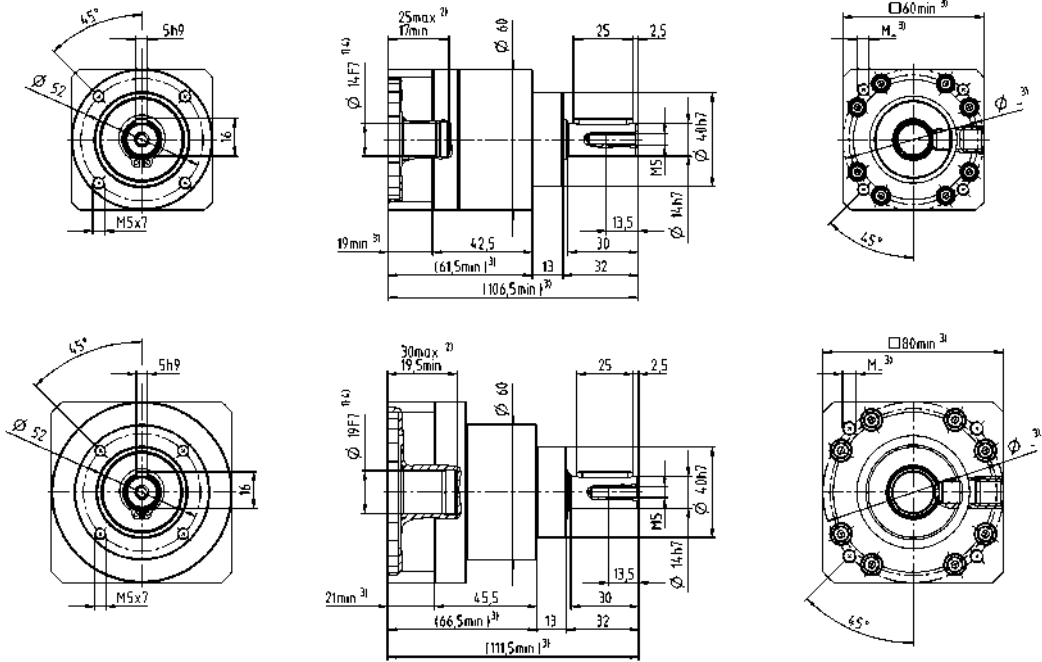
<sup>e)</sup> Valid for: Smooth shaft

# 1-stage

up to 14<sup>4)</sup> (C)<sup>5)</sup>  
clamping hub  
diameter

Motor shaft diameter [mm]

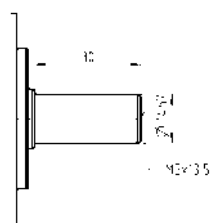
up to 19<sup>4)</sup> (E)  
clamping hub  
diameter



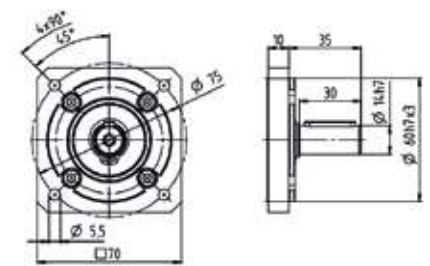
Planetary Gearboxes  
Basic Line

## Other output variants

Smooth shaft



Replaceable B5 output flange



- Non-tolerated dimensions are nominal dimensions
- <sup>1)</sup> Check motor shaft fit
- <sup>2)</sup> Min. / Max. permissible motor shaft length  
Longer motor shafts are possible, please contact alpha
- <sup>3)</sup> The dimensions depend on the motor
- <sup>4)</sup> Smaller motor shaft diameter is compensated by a bushing with a minimum wall thickness of 1 mm
- <sup>5)</sup> Standard clamping hub diameter

# CPS 015 MF 2-stage

			2-stage														
Ratio	i		9	12	15	16	20	25	28	30	35	40	50	70	100		
Max. torque <sup>a) b) e)</sup>	$T_{2a}$	Nm	48	48	48	56	56	58	56	48	58	56	58	58	56		
		in.lb	425	425	425	496	496	513	496	425	513	496	513	513	496		
Max. acceleration torque <sup>b)</sup> (max. 1000 cycles per hour)	$T_{2B}$	Nm	30	30	30	35	35	40	35	30	40	35	40	40	35		
		in.lb	266	266	266	310	310	354	310	266	354	310	354	354	310		
Emergency stop torque <sup>a) b) e)</sup> (permitted 1000 times during the service life of the gearbox)	$T_{2Not}$	Nm	75	75	75	75	75	75	75	75	75	75	75	75	75		
		in.lb	664	664	664	664	664	664	664	664	664	664	664	664	664		
Permitted average input speed <sup>d)</sup> (at $T_{2a}$ and 20 °C ambient temperature)	$n_{1N}$	rpm	3300	3300	3300	3300	3300	3300	3300	3300	3300	3300	3300	4000	4000		
Max. input speed	$n_{1Max}$	rpm	7000	7000	7000	7000	7000	7000	7000	7000	7000	7000	7000	7000	7000		
Mean no load running torque <sup>b)</sup> (at $n_1=3000$ rpm and 20 °C gearbox temperature)	$T_{012}$	Nm	0.33	0.28	0.26	0.25	0.22	0.21	0.2	0.21	0.18	0.17	0.16	0.15	0.14		
		in.lb	2.9	2.5	2.3	2.2	1.9	1.9	1.8	1.9	1.6	1.5	1.4	1.3	1.2		
Max. backlash	$j_t$	arcmin	≤ 15														
Torsional rigidity <sup>b)</sup>	$C_{t21}$	Nm/arcmin	2.1	2.1	2.1	2.1	2.1	2.1	2.1	2.1	2.1	2.1	2.1	2.1	1.9		
		in.lb/arcmin	19	19	19	19	19	19	19	19	19	19	19	19	17		
Max. axial force <sup>c)</sup>	$F_{2AMax}$	N	750														
		lb <sub>f</sub>	169														
Max. lateral force <sup>c)</sup>	$F_{2OMax}$	N	500														
		lb <sub>f</sub>	113														
Max. tilting moment	$M_{2KMax}$	Nm	17														
		in.lb	150														
Efficiency at full load	$\eta$	%	95														
Service life	$L_h$	h	> 20000														
Weight (incl. standard adapter plate)	$m$	kg	1.8														
		lb <sub>m</sub>	4														
Operating noise (at reference ratio and reference speed – ratio-specific values available in cymex®)	$L_{PA}$	dB(A)	≤ 60														
Max. permitted housing temperature		°C	+90														
		°F	+194														
Ambient temperature		°C	-15 to +40														
		°F	+5 to +104														
Lubrication			Lubricated for life														
Direction of rotation			In- and output same direction														
Protection class			IP 64														
Elastomer coupling (recommended product type – validate sizing with cymex®) Bore diameter of coupling on the application side			ELC-0020BA014.000-X														
		mm	X = 008.000 - 025.000														
Mass moment of inertia (relates to the drive) Clamping hub diameter [mm]	C	14	$J_1$	kgcm <sup>2</sup>	0.22	0.22	0.21	0.2	0.19	0.18	0.17	0.19	0.16	0.17	0.16	0.15	0.15
				10 <sup>-3</sup> in.lb.s <sup>2</sup>	0.19	0.19	0.19	0.18	0.17	0.16	0.17	0.14	0.15	0.14	0.13	0.13	
	E	19	$J_1$	kgcm <sup>2</sup>	0.43	0.42	0.42	0.4	0.4	0.39	0.39	0.41	0.39	0.39	0.38	0.38	0.37
				10 <sup>-3</sup> in.lb.s <sup>2</sup>	0.38	0.37	0.37	0.35	0.35	0.35	0.35	0.36	0.35	0.35	0.34	0.34	0.33

Please use our sizing software cymex® for a detailed sizing – [www.wittenstein-cymex.com](http://www.wittenstein-cymex.com)

<sup>a)</sup> Valid for torque transmission only

<sup>b)</sup> Valid for standard clamping hub diameter

<sup>c)</sup> Refers to center of the output shaft or flange

<sup>d)</sup> Please reduce input speed at higher ambient temperatures

<sup>e)</sup> Valid for: Smooth shaft

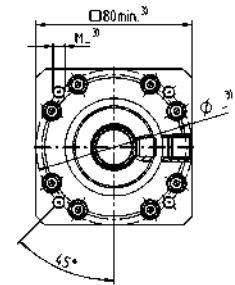
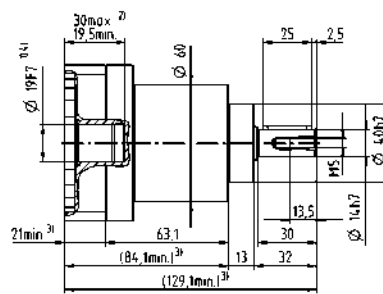
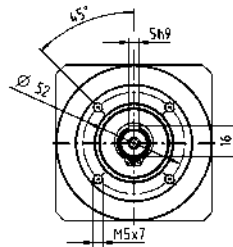
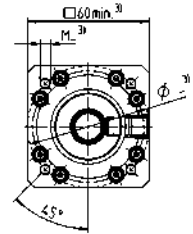
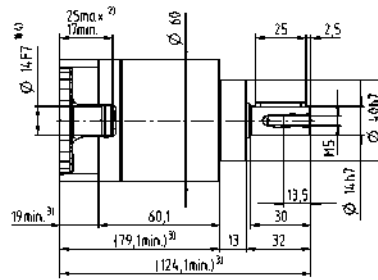
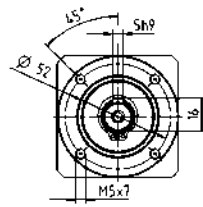


# 2-stage

up to 14<sup>4)</sup> (C)<sup>5)</sup>  
clamping hub  
diameter

Motor shaft diameter [mm]

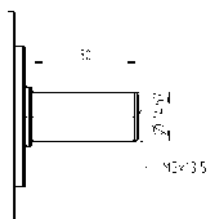
up to 19<sup>4)</sup> (E)  
clamping hub  
diameter



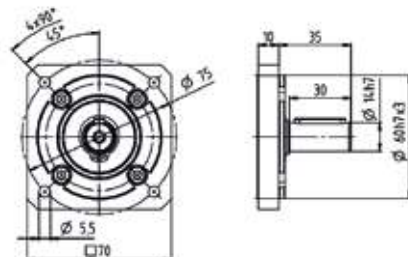
Planetary Gearboxes  
Basic Line

## Other output variants

Smooth shaft



Replaceable B5 output flange



Non-tolerated dimensions are nominal dimensions

<sup>1)</sup> Check motor shaft fit

<sup>2)</sup> Min. / Max. permissible motor shaft length

Longer motor shafts are possible, please contact alpha

<sup>3)</sup> The dimensions depend on the motor

<sup>4)</sup> Smaller motor shaft diameter is compensated

by a bushing with a minimum wall thickness of 1 mm

<sup>5)</sup> Standard clamping hub diameter

# CPS 025 MF 1-stage

			1-stage							
Ratio	i		3	4	5	7	8	10		
Max. torque <sup>a) b) e)</sup>	$T_{2a}$	Nm	112	150	150	150	144	144		
		in.lb	991	1328	1328	1328	1275	1275		
Max. acceleration torque <sup>b)</sup> (max. 1000 cycles per hour)	$T_{2B}$	Nm	70	95	100	100	90	90		
		in.lb	620	841	885	885	797	797		
Emergency stop torque <sup>a) b) e)</sup> (permitted 1000 times during the service life of the gearbox)	$T_{2Not}$	Nm	114	152	187	187	187	187		
		in.lb	1009	1345	1655	1655	1655	1655		
Permitted average input speed <sup>d)</sup> (at $T_{2a}$ and 20 °C ambient temperature)	$n_{1N}$	rpm	3100	3100	3100	3600	3600	3600		
Max. input speed	$n_{1Max}$	rpm	7000	7000	7000	7000	7000	7000		
Mean no load running torque <sup>b)</sup> (at $n_1=3000$ rpm and 20 °C gearbox temperature)	$T_{012}$	Nm	0.38	0.3	0.26	0.23	0.21	0.19		
		in.lb	3.4	2.7	2.3	2	1.9	1.7		
Max. backlash	$j_t$	arcmin	≤ 12							
Torsional rigidity <sup>b)</sup>	$C_{t21}$	Nm/arcmin	6.1	6.1	6.1	6.1	5.5	5.5		
		in.lb/arcmin	54	54	54	54	49	49		
Max. axial force <sup>c)</sup>	$F_{2AMax}$	N	1600							
		lb <sub>f</sub>	360							
Max. lateral force <sup>c)</sup>	$F_{2OMax}$	N	1200							
		lb <sub>f</sub>	270							
Max. tilting moment	$M_{2KMMax}$	Nm	54							
		in.lb	478							
Efficiency at full load	$\eta$	%	97							
Service life	$L_h$	h	> 20000							
Weight (incl. standard adapter plate)	$m$	kg	2.9							
		lb <sub>m</sub>	6.4							
Operating noise (at reference ratio and reference speed – ratio-specific values available in cymex®)	$L_{PA}$	dB(A)	≤ 62							
Max. permitted housing temperature		°C	+90							
		°F	+194							
Ambient temperature		°C	-15 to +40							
		°F	+5 to +104							
Lubrication			Lubricated for life							
Direction of rotation			In- and output same direction							
Protection class			IP 64							
Elastomer coupling (recommended product type – validate sizing with cymex®)			ELC-0060BA020.000-X							
Bore diameter of coupling on the application side		mm	X = 012.000 - 032.000							
Mass moment of inertia (relates to the drive) Clamping hub diameter [mm]	E	19	$J_1$	kgcm <sup>2</sup>	0.66	0.53	0.48	0.43	0.41	0.4
				10 <sup>-3</sup> in.lb.s <sup>2</sup>	0.58	0.47	0.42	0.38	0.36	0.35
	G	24	$J_1$	kgcm <sup>2</sup>	1.5	1.4	1.3	1.3	1.3	1.3
				10 <sup>-3</sup> in.lb.s <sup>2</sup>	1.3	1.2	1.2	1.2	1.2	1.2

Please use our sizing software cymex® for a detailed sizing – [www.wittenstein-cymex.com](http://www.wittenstein-cymex.com)

<sup>a)</sup> Valid for torque transmission only

<sup>b)</sup> Valid for standard clamping hub diameter

<sup>c)</sup> Refers to center of the output shaft or flange

<sup>d)</sup> Please reduce input speed at higher ambient temperatures

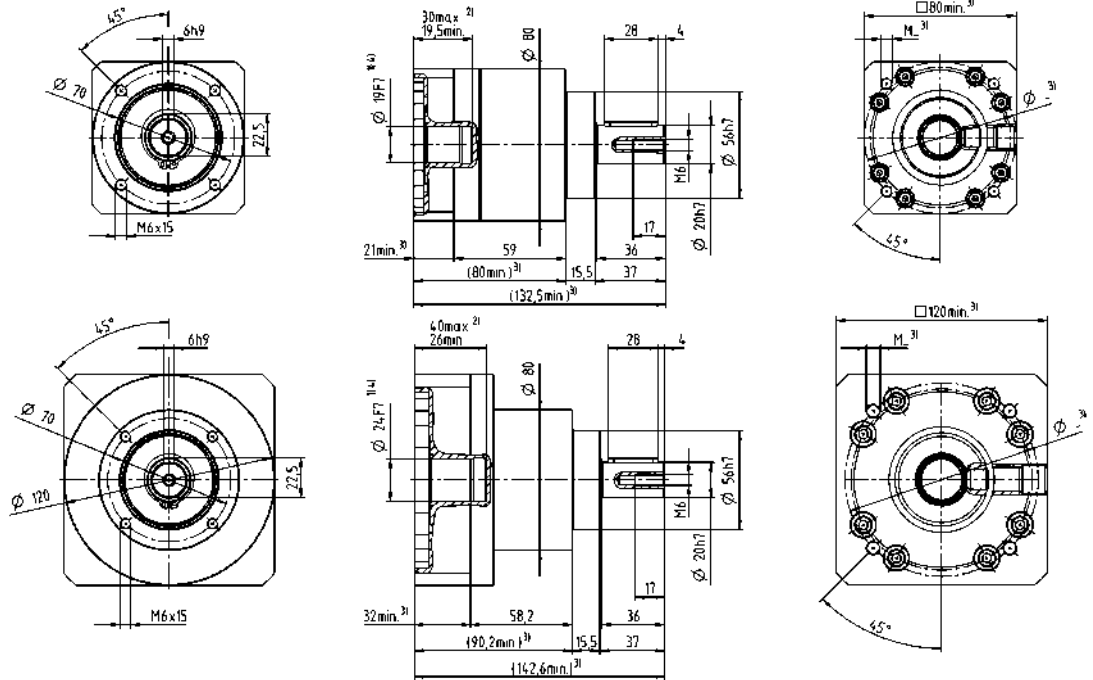
<sup>e)</sup> Valid for: Smooth shaft

# 1-stage

up to 19<sup>4)</sup> (E)<sup>5)</sup>  
clamping hub  
diameter

Motor shaft diameter [mm]

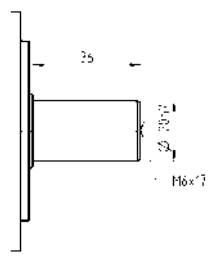
up to 24<sup>4)</sup> (G)  
clamping hub  
diameter



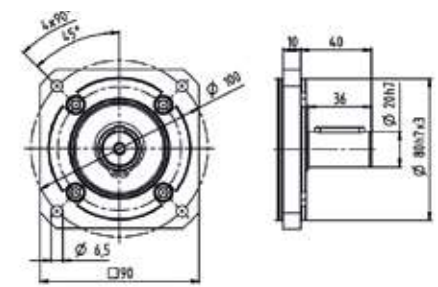
Planetary Gearboxes  
Basic Line

## Other output variants

Smooth shaft



Replaceable B5 output flange



- Non-tolerated dimensions are nominal dimensions
- <sup>1)</sup> Check motor shaft fit
- <sup>2)</sup> Min. / Max. permissible motor shaft length  
Longer motor shafts are possible, please contact alpha
- <sup>3)</sup> The dimensions depend on the motor
- <sup>4)</sup> Smaller motor shaft diameter is compensated by a bushing with a minimum wall thickness of 1 mm
- <sup>5)</sup> Standard clamping hub diameter

# CPS 025 MF 2-stage

			2-stage														
Ratio	i		9	12	15	16	20	25	28	30	35	40	50	70	100		
Max. torque <sup>a) b) e)</sup>	$T_{2a}$	Nm	112	112	112	150	150	150	150	112	150	150	150	150	144		
		in.lb	991	991	991	1328	1328	1328	1328	991	1328	1328	1328	1328	1328	1275	
Max. acceleration torque <sup>b)</sup> (max. 1000 cycles per hour)	$T_{2B}$	Nm	70	70	70	95	95	95	95	70	100	95	100	100	90		
		in.lb	620	620	620	841	841	841	841	620	885	841	885	885	797		
Emergency stop torque <sup>a) b) e)</sup> (permitted 1000 times during the service life of the gearbox)	$T_{2Not}$	Nm	187	187	187	187	187	187	187	187	187	187	187	187	187		
		in.lb	1655	1655	1655	1655	1655	1655	1655	1655	1655	1655	1655	1655	1655		
Permitted average input speed <sup>d)</sup> (at $T_{2a}$ and 20 °C ambient temperature)	$n_{1N}$	rpm	3100	3100	3100	3100	3100	3100	3100	3100	3100	3100	3100	3600	3600		
Max. input speed	$n_{1Max}$	rpm	7000	7000	7000	7000	7000	7000	7000	7000	7000	7000	7000	7000	7000		
Mean no load running torque <sup>b)</sup> (at $n_1=3000$ rpm and 20 °C gearbox temperature)	$T_{012}$	Nm	0.5	0.43	0.39	0.38	0.34	0.32	0.3	0.31	0.28	0.26	0.24	0.22	0.21		
		in.lb	4.4	3.8	3.5	3.4	3	2.8	2.7	2.7	2.5	2.3	2.1	1.9	1.9		
Max. backlash	$j_t$	arcmin	≤ 15														
Torsional rigidity <sup>b)</sup>	$C_{t21}$	Nm/arcmin	6.1	6.1	6.1	6.1	6.1	6.1	6.1	6.1	6.1	6.1	6.1	6.1	5.5		
		in.lb/arcmin	54	54	54	54	54	54	54	54	54	54	54	54	49		
Max. axial force <sup>c)</sup>	$F_{2AMax}$	N	1600														
		lb <sub>f</sub>	360														
Max. lateral force <sup>c)</sup>	$F_{2OMax}$	N	1200														
		lb <sub>f</sub>	270														
Max. tilting moment	$M_{2KMMax}$	Nm	54														
		in.lb	478														
Efficiency at full load	$\eta$	%	95														
Service life	$L_h$	h	> 20000														
Weight (incl. standard adapter plate)	m	kg	3.7														
		lb <sub>m</sub>	8.2														
Operating noise (at reference ratio and reference speed – ratio-specific values available in cymex®)	$L_{PA}$	dB(A)	≤ 62														
Max. permitted housing temperature		°C	+90														
		°F	+194														
Ambient temperature		°C	-15 to +40														
		°F	+5 to +104														
Lubrication			Lubricated for life														
Direction of rotation			In- and output same direction														
Protection class			IP 64														
Elastomer coupling (recommended product type – validate sizing with cymex®)			ELC-0060BA020.000-X														
Bore diameter of coupling on the application side		mm	X = 012.000 - 032.000														
Mass moment of inertia (relates to the drive) Clamping hub diameter [mm]	E	19	$J_1$	kgcm <sup>2</sup>	0.66	1.4	1.6	0.98	1.1	0.82	1.2	2.1	0.88	1.4	1	0.71	0.54
				10 <sup>-3</sup> in.lb.s <sup>2</sup>	0.58	1.2	1.4	0.87	0.97	0.73	1.1	1.9	0.78	1.2	0.89	0.63	0.48
	G	24	$J_1$	kgcm <sup>2</sup>	1.5	2.3	2.4	1.8	1.9	1.7	2	3	1.7	2.2	1.9	1.6	1.4
				10 <sup>-3</sup> in.lb.s <sup>2</sup>	1.3	2	2.1	1.6	1.7	1.5	1.8	2.7	1.5	1.9	1.7	1.4	1.2

Please use our sizing software cymex® for a detailed sizing – [www.wittenstein-cymex.com](http://www.wittenstein-cymex.com)

<sup>a)</sup> Valid for torque transmission only

<sup>b)</sup> Valid for standard clamping hub diameter

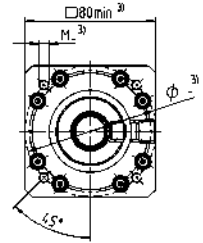
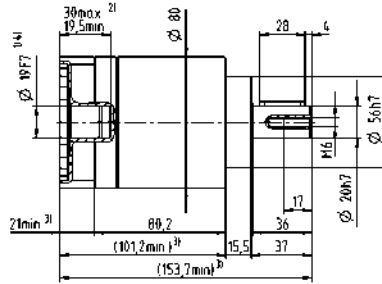
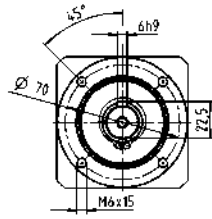
<sup>c)</sup> Refers to center of the output shaft or flange

<sup>d)</sup> Please reduce input speed at higher ambient temperatures

<sup>e)</sup> Valid for: Smooth shaft

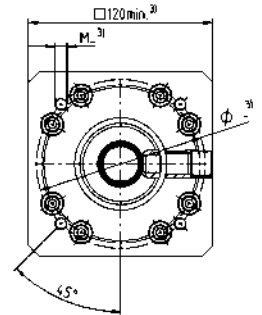
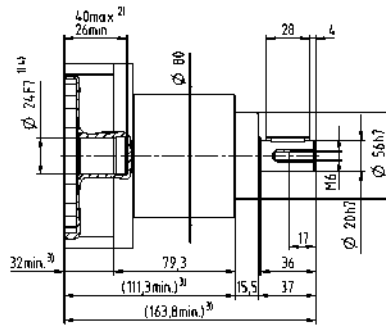
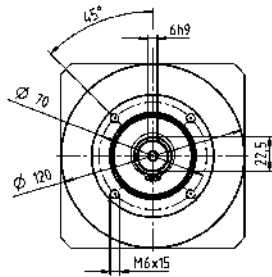
# 2-stage

up to 19<sup>4)</sup> (E)<sup>5)</sup>  
clamping hub  
diameter



Motor shaft diameter [mm]

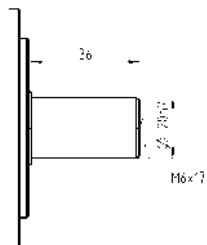
up to 24<sup>4)</sup> (G)  
clamping hub  
diameter



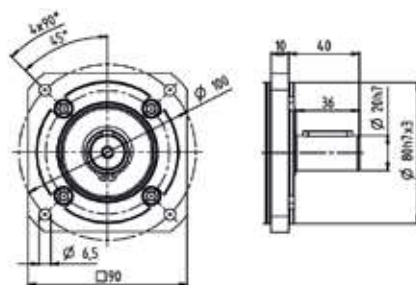
Planetary Gearboxes  
Basic Line

## Other output variants

Smooth shaft



Replaceable B5 output flange



Non-tolerated dimensions are nominal dimensions

<sup>1)</sup> Check motor shaft fit

<sup>2)</sup> Min. / Max. permissible motor shaft length

Longer motor shafts are possible, please contact alpha

<sup>3)</sup> The dimensions depend on the motor

<sup>4)</sup> Smaller motor shaft diameter is compensated

by a bushing with a minimum wall thickness of 1 mm

<sup>5)</sup> Standard clamping hub diameter

# CPS 035 MF 1-stage

			1-stage							
Ratio	i		3	4	5	7	8	10		
Max. torque <sup>a) b) e)</sup>	$T_{2a}$	Nm	272	272	272	272	272	272		
		in.lb	2407	2407	2407	2407	2407	2407		
Max. acceleration torque <sup>b)</sup> (max. 1000 cycles per hour)	$T_{2B}$	Nm	175	255	250	250	220	220		
		in.lb	1549	2257	2213	2213	1947	1947		
Emergency stop torque <sup>a) b) e)</sup> (permitted 1000 times during the service life of the gearbox)	$T_{2Not}$	Nm	460	480	480	480	470	480		
		in.lb	4071	4248	4248	4248	4160	4248		
Permitted average input speed <sup>d)</sup> (at $T_{2a}$ and 20 °C ambient temperature)	$n_{1N}$	rpm	2300	2300	2300	2800	2800	2800		
Max. input speed	$n_{1Max}$	rpm	5500	5500	5500	5500	5500	5500		
Mean no load running torque <sup>b)</sup> (at $n_1=3000$ rpm and 20 °C gearbox temperature)	$T_{012}$	Nm	0.95	0.76	0.66	0.57	0.52	0.48		
		in.lb	8.4	6.7	5.8	5	4.6	4.2		
Max. backlash	$j_t$	arcmin	≤ 12							
Torsional rigidity <sup>b)</sup>	$C_{t21}$	Nm/arcmin	16	16	16	16	14	14		
		in.lb/arcmin	142	142	142	142	124	124		
Max. axial force <sup>c)</sup>	$F_{2AMax}$	N	2500							
		lb <sub>f</sub>	563							
Max. lateral force <sup>c)</sup>	$F_{2OMax}$	N	1750							
		lb <sub>f</sub>	394							
Max. tilting moment	$M_{2KMMax}$	Nm	98							
		in.lb	867							
Efficiency at full load	$\eta$	%	97							
Service life	$L_h$	h	> 20000							
Weight (incl. standard adapter plate)	m	kg	7.5							
		lb <sub>m</sub>	17							
Operating noise (at reference ratio and reference speed – ratio-specific values available in cymex®)	$L_{PA}$	dB(A)	≤ 66							
Max. permitted housing temperature		°C	+90							
		°F	+194							
Ambient temperature		°C	-15 to +40							
		°F	+5 to +104							
Lubrication			Lubricated for life							
Direction of rotation			In- and output same direction							
Protection class			IP 64							
Elastomer coupling (recommended product type – validate sizing with cymex®)			ELC-0150BA025.000-X							
Bore diameter of coupling on the application side		mm	X = 019.000 - 036.000							
Mass moment of inertia (relates to the drive) Clamping hub diameter [mm]	G	24	$J_1$	kgcm <sup>2</sup>	2.6	1.9	1.7	1.5	1.4	1.4
				10 <sup>-3</sup> in.lb.s <sup>2</sup>	2.3	1.7	1.5	1.3	1.2	1.2
	K	38	$J_1$	kgcm <sup>2</sup>	7.8	7.1	6.9	6.7	6.6	6.5
				10 <sup>-3</sup> in.lb.s <sup>2</sup>	6.9	6.3	6.1	5.9	5.8	5.8

Please use our sizing software cymex® for a detailed sizing – [www.wittenstein-cymex.com](http://www.wittenstein-cymex.com)

<sup>a)</sup> Valid for torque transmission only

<sup>b)</sup> Valid for standard clamping hub diameter

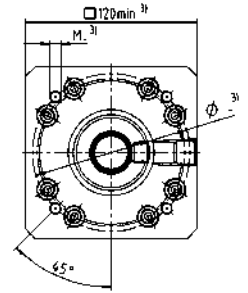
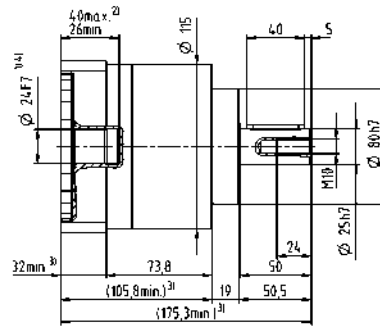
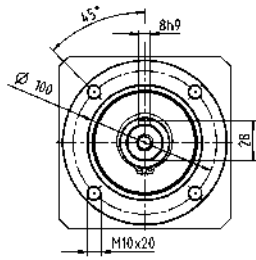
<sup>c)</sup> Refers to center of the output shaft or flange

<sup>d)</sup> Please reduce input speed at higher ambient temperatures

<sup>e)</sup> Valid for: Smooth shaft

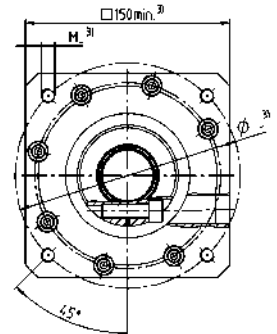
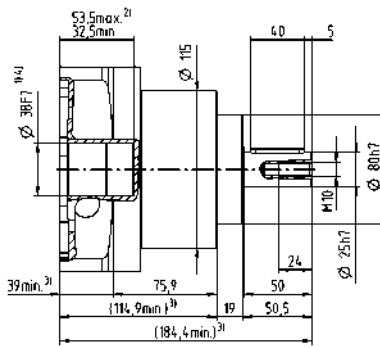
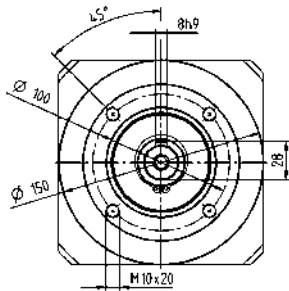
# 1-stage

up to 24<sup>4)</sup> (G)<sup>5)</sup>  
clamping hub  
diameter



Motor shaft diameter [mm]

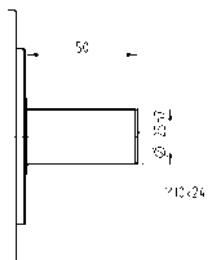
up to 38<sup>4)</sup> (K)  
clamping hub  
diameter



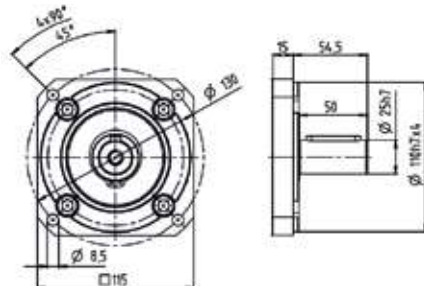
Planetary Gearboxes  
Basic Line

## Other output variants

Smooth shaft



Replaceable B5 output flange



Non-tolerated dimensions are nominal dimensions

<sup>1)</sup> Check motor shaft fit

<sup>2)</sup> Min. / Max. permissible motor shaft length

Longer motor shafts are possible, please contact alpha

<sup>3)</sup> The dimensions depend on the motor

<sup>4)</sup> Smaller motor shaft diameter is compensated

by a bushing with a minimum wall thickness of 1 mm

<sup>5)</sup> Standard clamping hub diameter

# CPS 035 MF 2-stage

			2-stage														
Ratio	i		9	12	15	16	20	25	28	30	35	40	50	70	100		
Max. torque <sup>a) b) e)</sup>	$T_{2a}$	Nm	272	272	272	272	272	272	272	272	272	272	272	272	272		
		in.lb	2407	2407	2407	2407	2407	2407	2407	2407	2407	2407	2407	2407	2407	2407	
Max. acceleration torque <sup>b)</sup> (max. 1000 cycles per hour)	$T_{2B}$	Nm	175	175	175	255	255	250	255	175	250	255	250	250	220		
		in.lb	1549	1549	1549	2257	2257	2213	2257	1549	2213	2257	2213	2213	1947		
Emergency stop torque <sup>a) b) e)</sup> (permitted 1000 times during the service life of the gearbox)	$T_{2Not}$	Nm	480	480	480	480	480	480	480	315	480	480	480	480	480		
		in.lb	4248	4248	4248	4248	4248	4248	4248	2788	4248	4248	4248	4248	4248		
Permitted average input speed <sup>d)</sup> (at $T_{2a}$ and 20 °C ambient temperature)	$n_{1N}$	rpm	2300	2300	2300	2300	2300	2300	2300	2300	2300	2300	2300	2800	2800		
Max. input speed	$n_{1Max}$	rpm	5500	5500	5500	5500	5500	5500	5500	5500	5500	5500	5500	5500	5500		
Mean no load running torque <sup>b)</sup> (at $n_1=3000$ rpm and 20 °C gearbox temperature)	$T_{012}$	Nm	1.3	1.1	0.98	0.95	0.85	0.8	0.76	0.79	0.7	0.66	0.61	0.56	0.52		
		in.lb	12	9.7	8.7	8.4	7.5	7.1	6.7	7	6.2	5.8	5.4	5	4.6		
Max. backlash	$j_t$	arcmin	≤ 15														
Torsional rigidity <sup>b)</sup>	$C_{t21}$	Nm/arcmin	16	16	16	16	16	16	16	16	16	16	16	16	14		
		in.lb/arcmin	142	142	142	142	142	142	142	142	142	142	142	142	124		
Max. axial force <sup>c)</sup>	$F_{2AMax}$	N	2500														
		lb <sub>f</sub>	563														
Max. lateral force <sup>c)</sup>	$F_{2OMax}$	N	1750														
		lb <sub>f</sub>	394														
Max. tilting moment	$M_{2KMMax}$	Nm	98														
		in.lb	867														
Efficiency at full load	$\eta$	%	95														
Service life	$L_h$	h	> 20000														
Weight (incl. standard adapter plate)	m	kg	9.6														
		lb <sub>m</sub>	21														
Operating noise (at reference ratio and reference speed – ratio-specific values available in cymex®)	$L_{PA}$	dB(A)	≤ 66														
Max. permitted housing temperature		°C	+90														
		°F	+194														
Ambient temperature		°C	-15 to +40														
		°F	+5 to +104														
Lubrication			Lubricated for life														
Direction of rotation			In- and output same direction														
Protection class			IP 64														
Elastomer coupling (recommended product type – validate sizing with cymex®) Bore diameter of coupling on the application side			ELC-0150BA025.000-X														
		mm	X = 019.000 - 036.000														
Mass moment of inertia (relates to the drive) Clamping hub diameter [mm]	G	24	$J_1$	kgcm <sup>2</sup>	2.7	2.5	2.5	2.3	2.3	2.1	2.4	3.1	2.2	2.6	2.2	1.9	1.7
				10 <sup>-3</sup> in.lb.s <sup>2</sup>	2.4	2.2	2.2	2	2	1.9	2.1	2.7	1.9	2.3	1.9	1.7	1.5
	K	38	$J_1$	kgcm <sup>2</sup>	7.9	7.7	7.8	7.5	7.5	7.3	7.5	8.3	7.4	7.8	7.4	7.1	6.9
				10 <sup>-3</sup> in.lb.s <sup>2</sup>	7	6.8	6.9	6.6	6.6	6.5	6.6	7.3	6.5	6.9	6.5	6.3	6.1

Please use our sizing software cymex® for a detailed sizing – [www.wittenstein-cymex.com](http://www.wittenstein-cymex.com)

<sup>a)</sup> Valid for torque transmission only

<sup>b)</sup> Valid for standard clamping hub diameter

<sup>c)</sup> Refers to center of the output shaft or flange

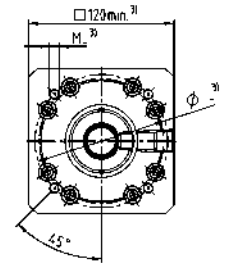
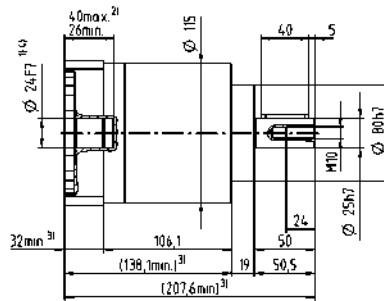
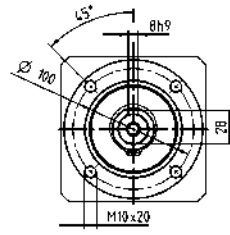
<sup>d)</sup> Please reduce input speed at higher ambient temperatures

<sup>e)</sup> Valid for: Smooth shaft



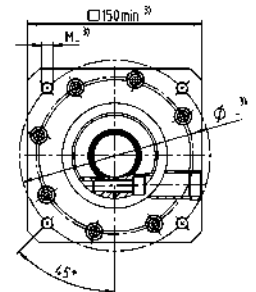
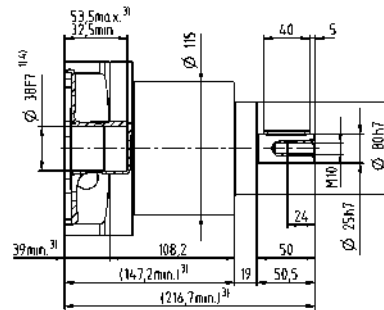
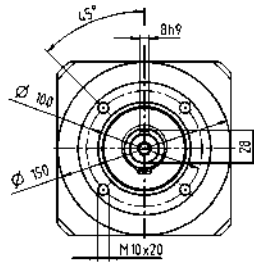
# 2-stage

up to 24<sup>4)</sup> (G)<sup>5)</sup>  
clamping hub diameter



Motor shaft diameter [mm]

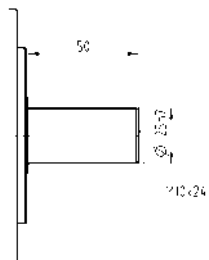
up to 38<sup>4)</sup> (K)  
clamping hub diameter



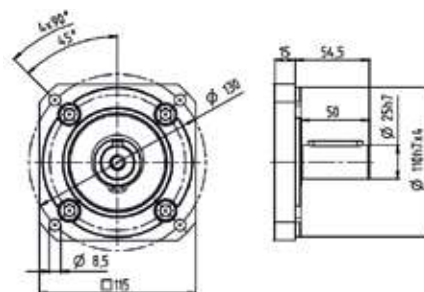
Planetary Gearboxes  
Basic Line

## Other output variants

Smooth shaft



Replaceable B5 output flange



Non-tolerated dimensions are nominal dimensions

<sup>1)</sup> Check motor shaft fit

<sup>2)</sup> Min. / Max. permissible motor shaft length

Longer motor shafts are possible, please contact alpha

<sup>3)</sup> The dimensions depend on the motor

<sup>4)</sup> Smaller motor shaft diameter is compensated

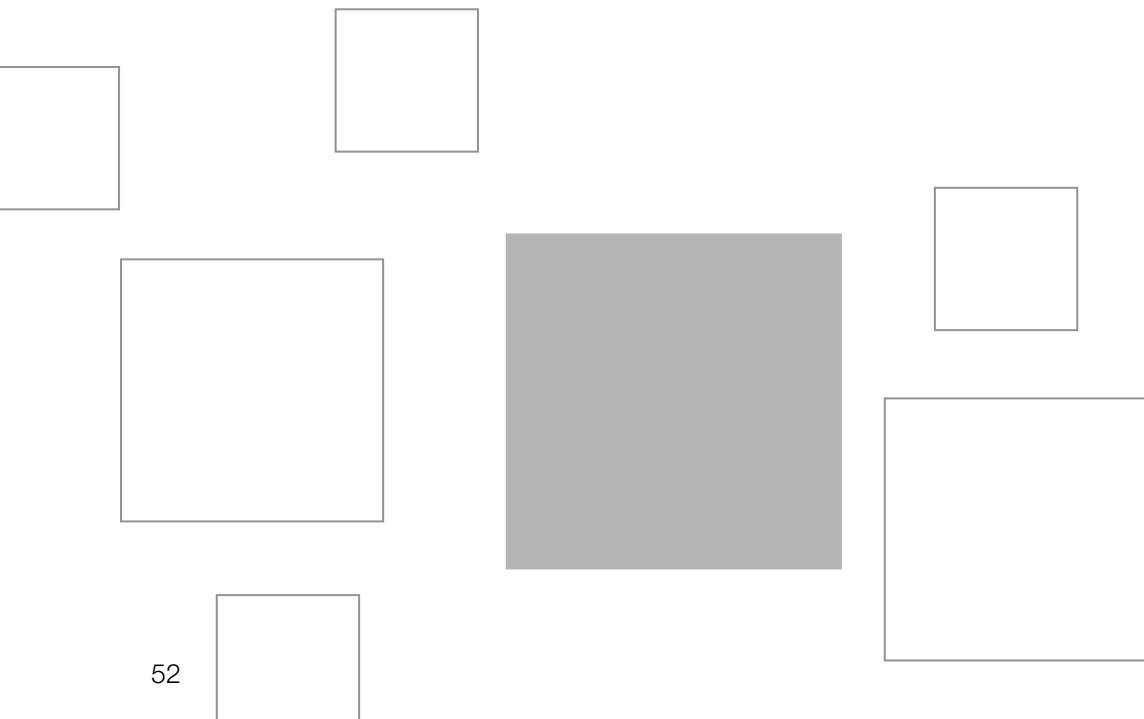
by a bushing with a minimum wall thickness of 1 mm

<sup>5)</sup> Standard clamping hub diameter

# alpha Basic Line

## BEVEL GEARBOXES CPK / CPSK

The bevel gearboxes of the alpha Basic Line achieve a high power density thanks to the specially designed toothing. Thus they can optimally combine the benefits of a planetary gearbox and an angle section. The extremely compact design also enables use in confined installation situations.



CPK



CPSK



CPSK\*



\* CPSK with replaceable B5 output flange

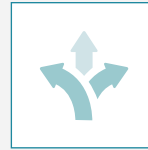
# CPK / CPSK – Geared up to Fit

CPK



Economically around the corner. The right-angle gearboxes of the alpha Basic Line are specially designed for applications with medium requirements for positioning accuracy. The extremely compact bevel gear stage enables use in applications with space constraints.

## PRODUCT HIGHLIGHTS



### High flexibility

Various output variants offer design freedom tailored to individual requirements.



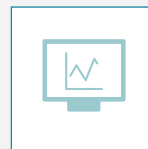
### Maximum economy

The alpha Basic Line is extremely economical to purchase and highly efficient in operation.



### High power density

The gearboxes offer high power density in the smallest installation space.



### Quick sizing

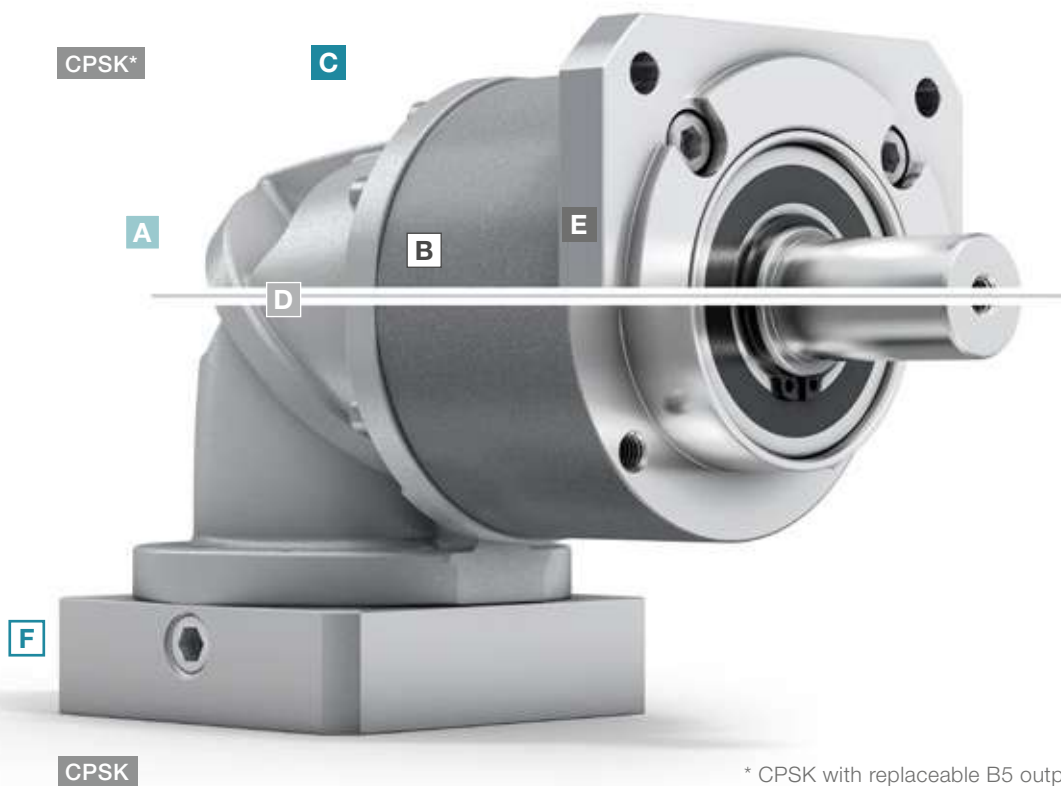
Efficient and innovative online sizing within seconds in cymex® select based on technical and economic suitability.



CPSK – bevel gearbox with replaceable B5 output flange



CPSK – bevel gearbox with long centering



**A Variety of sizes**

- CPK available in five different sizes (005 – 045)
- CPSK available in three different sizes (015 – 035)

**B High ratio variation**

- Large number of ratios ( $i=3$  to  $i=100$ )
- Available in the common binary ratios

**C Design**

- The elegant design underlines the dynamics of the gearbox and sets new standards on the market

**D Compactness**

- The extremely compact design of the angle section enables use in very confined installation spaces

**E Variable application connection**

- Shortened installation space and maximum compactness thanks to a long centering
- Flange attachment for B5 mounting

**F Flexible motor connection**

- As with the planetary gearboxes of the alpha Basic Line, mounting of all common servo motors takes place by means of a flexible and screw-fastened adapter plate
- Large number of motor shaft diameters connectable



CPK – bevel gearbox with elastomer coupling



**cymex® select**  
BEST SOLUTION WITHIN SECONDS

Efficient gearbox sizing within seconds – online and without login  
[cymex-select.wittenstein-group.com](http://cymex-select.wittenstein-group.com)

# CPK 005 MF 2-stage

			2-stage					
Ratio	i		4	5	7	8	10	
Max. torque <sup>a) b) e)</sup>	$T_{2a}$	Nm	14	17	21	20	20	
		in.lb	124	150	186	177	177	
Max. acceleration torque <sup>e)</sup> (max. 1000 cycles per hour)	$T_{2B}$	Nm	6.8	8.5	12	13	13	
		in.lb	60	75	106	115	115	
Emergency stop torque <sup>a) b) e)</sup> (permitted 1000 times during the service life of the gearbox)	$T_{2Not}$	Nm	17	21	26	26	26	
		in.lb	150	186	230	230	230	
Permitted average input speed <sup>d)</sup> (at $T_{2a}$ and 20 °C ambient temperature)	$n_{1N}$	rpm	3800	3800	3800	3800	3800	
Max. input speed	$n_{1Max}$	rpm	5000	5000	5000	5000	5000	
Mean no load running torque <sup>b)</sup> (at $n_1=3000$ rpm and 20 °C gearbox temperature)	$T_{012}$	Nm	0.25	0.25	0.25	0.25	0.25	
		in.lb	2.2	2.2	2.2	2.2	2.2	
Max. backlash	$j_t$	arcmin	≤ 17					
Torsional rigidity <sup>b)</sup>	$C_{t21}$	Nm/arcmin	0.5	0.5	0.5	0.5	0.5	
		in.lb/arcmin	4.4	4.4	4.4	4.4	4.4	
Max. axial force <sup>c)</sup>	$F_{2AMax}$	N	240					
		lb <sub>f</sub>	54					
Max. lateral force <sup>c) 1)</sup>	$F_{2OMax}$	N	170					
		lb <sub>f</sub>	38					
Max. tilting moment	$M_{2KMMax}$	Nm	4					
		in.lb	35					
Efficiency at full load	$\eta$	%	95					
Service life	$L_h$	h	> 20000					
Weight (incl. standard adapter plate)	m	kg	0.86					
		lb <sub>m</sub>	1.9					
Operating noise (at reference ratio and reference speed – ratio-specific values available in cymex®)	$L_{PA}$	dB(A)	≤ 68					
Max. permitted housing temperature		°C	+90					
		°F	+194					
Ambient temperature		°C	0 to +40					
		°F	+32 to +104					
Lubrication			Lubricated for life					
Direction of rotation			In- and output same direction					
Protection class			IP 64					
Elastomer coupling (recommended product type – validate sizing with cymex®)			ELC-0005BA010.000-X					
Bore diameter of coupling on the application side		mm	X = 004.000 - 012.700					
Mass moment of inertia (relates to the drive) Clamping hub diameter [mm]	B 11	$J_1$	kgcm <sup>2</sup>	0.13	0.13	0.13	0.13	0.13
			10 <sup>-3</sup> in.lb.s <sup>2</sup>	0.12	0.12	0.12	0.12	0.12

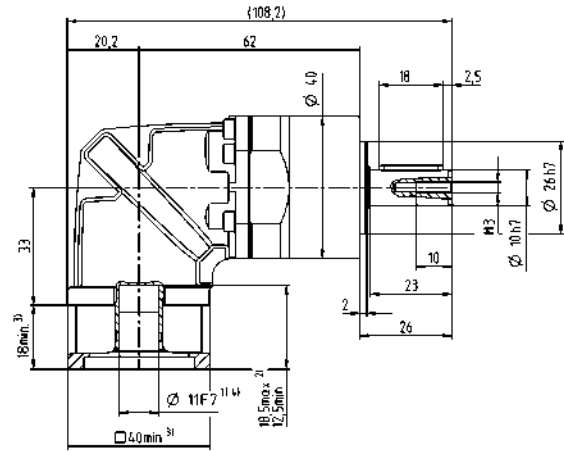
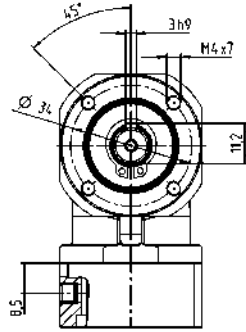
Please use our sizing software cymex® for a detailed sizing – [www.wittenstein-cymex.com](http://www.wittenstein-cymex.com)  
Please consider the maximum permissible tilting moment caused by the motor  $M_{1KMot}$  – see sizing

- <sup>a)</sup> Valid for torque transmission only
- <sup>b)</sup> Valid for standard clamping hub diameter
- <sup>c)</sup> Refers to center of the output shaft or flange
- <sup>d)</sup> Please reduce input speed at higher ambient temperatures
- <sup>e)</sup> Valid for: Smooth shaft
- <sup>1)</sup> At increased lateral forces – see glossary

Motor shaft diameter [mm]

# 2-stage

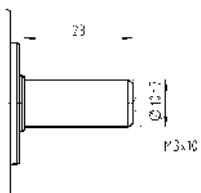
up to 11<sup>4)</sup> (B)<sup>5)</sup>  
clamping hub diameter



Bevel Gearboxes  
Basic Line

## Other output variants

Smooth shaft



Non-tolerated dimensions are nominal dimensions

- <sup>1)</sup> Check motor shaft fit
- <sup>2)</sup> Min. / Max. permissible motor shaft length  
Longer motor shafts are possible, please contact alpha
- <sup>3)</sup> The dimensions depend on the motor
- <sup>4)</sup> Smaller motor shaft diameter is compensated by a bushing with a minimum wall thickness of 1 mm
- <sup>5)</sup> Standard clamping hub diameter

# CPK 005 MF 3-stage

			3-stage									
Ratio	i		16	20	25	28	35	40	50	70	100	
Max. torque <sup>a) b) e)</sup>	$T_{2a}$	Nm	17	17	21	17	21	17	21	21	20	
		in.lb	150	150	186	150	186	150	186	186	177	
Max. acceleration torque <sup>e)</sup> (max. 1000 cycles per hour)	$T_{2B}$	Nm	11	11	14	11	14	11	14	14	13	
		in.lb	97	97	124	97	124	97	124	124	115	
Emergency stop torque <sup>a) b) e)</sup> (permitted 1000 times during the service life of the gearbox)	$T_{2Not}$	Nm	26	26	26	26	26	26	26	26	26	
		in.lb	230	230	230	230	230	230	230	230	230	
Permitted average input speed <sup>d)</sup> (at $T_{2a}$ and 20 °C ambient temperature)	$n_{1N}$	rpm	3800	3800	3800	3800	3800	3800	3800	3800	3800	
Max. input speed	$n_{1Max}$	rpm	5000	5000	5000	5000	5000	5000	5000	5000	5000	
Mean no load running torque <sup>b)</sup> (at $n_1=3000$ rpm and 20 °C gearbox temperature)	$T_{012}$	Nm	0.27	0.27	0.27	0.27	0.27	0.27	0.27	0.27	0.27	
		in.lb	2.4	2.4	2.4	2.4	2.4	2.4	2.4	2.4	2.4	
Max. backlash	$j_t$	arcmin	≤ 20									
Torsional rigidity <sup>b)</sup>	$C_{t21}$	Nm/arcmin	0.57	0.57	0.57	0.57	0.57	0.57	0.57	0.57	0.57	
		in.lb/arcmin	5	5	5	5	5	5	5	5	5	
Max. axial force <sup>c)</sup>	$F_{2AMax}$	N	240									
		lb <sub>f</sub>	54									
Max. lateral force <sup>c) 1)</sup>	$F_{2QMMax}$	N	170									
		lb <sub>f</sub>	38									
Max. tilting moment	$M_{2KMMax}$	Nm	4									
		in.lb	35									
Efficiency at full load	$\eta$	%	94									
Service life	$L_n$	h	> 20000									
Weight (incl. standard adapter plate)	m	kg	0.92									
		lb <sub>m</sub>	2.0									
Operating noise (at reference ratio and reference speed – ratio-specific values available in cymex®)	$L_{PA}$	dB(A)	≤ 68									
Max. permitted housing temperature		°C	+90									
		°F	+194									
Ambient temperature		°C	0 to +40									
		°F	+32 to +104									
Lubrication			Lubricated for life									
Direction of rotation			In- and output same direction									
Protection class			IP 64									
Elastomer coupling (recommended product type – validate sizing with cymex®)			ELC-0005BA010.000-X									
Bore diameter of coupling on the application side		mm	X = 004.000 - 012.700									
Mass moment of inertia (relates to the drive) Clamping hub diameter [mm]	B	11	$J_1$	kgcm <sup>2</sup>	0.13	0.13	0.13	0.13	0.13	0.13	0.13	0.13
				10 <sup>-3</sup> in.lb.s <sup>2</sup>	0.12	0.12	0.12	0.12	0.12	0.12	0.12	0.12

Please use our sizing software cymex® for a detailed sizing – [www.wittenstein-cymex.com](http://www.wittenstein-cymex.com)  
Please consider the maximum permissible tilting moment caused by the motor  $M_{1KMot}$  – see sizing

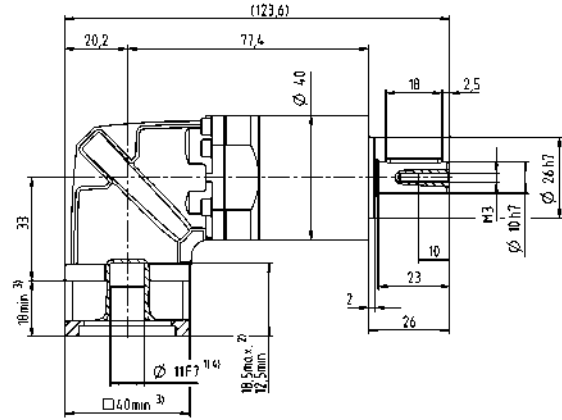
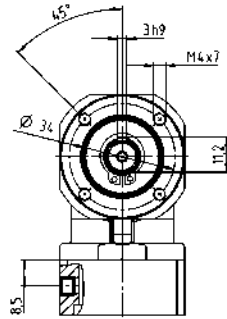
- <sup>a)</sup> Valid for torque transmission only
- <sup>b)</sup> Valid for standard clamping hub diameter
- <sup>c)</sup> Refers to center of the output shaft or flange
- <sup>d)</sup> Please reduce input speed at higher ambient temperatures
- <sup>e)</sup> Valid for: Smooth shaft
- <sup>1)</sup> At increased lateral forces – see glossary



Motor shaft diameter [mm]

# 3-stage

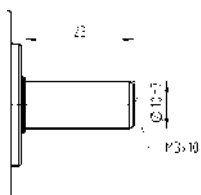
up to 11<sup>4)</sup> (B)<sup>5)</sup>  
clamping hub  
diameter



Bevel Gearboxes  
Basic Line

## Other output variants

Smooth shaft



- Non-tolerated dimensions are nominal dimensions
- <sup>1)</sup> Check motor shaft fit
- <sup>2)</sup> Min. / Max. permissible motor shaft length  
Longer motor shafts are possible, please contact alpha
- <sup>3)</sup> The dimensions depend on the motor
- <sup>4)</sup> Smaller motor shaft diameter is compensated  
by a bushing with a minimum wall thickness of 1 mm
- <sup>5)</sup> Standard clamping hub diameter

# CPK 015 MF 2-stage

			2-stage							
Ratio	i		3	4	5	7	8	10		
Max. torque <sup>a) b) e)</sup>	$T_{2a}$	Nm	33	44	55	58	56	56		
		in.lb	292	389	487	513	496	496		
Max. acceleration torque <sup>b)</sup> (max. 1000 cycles per hour)	$T_{2B}$	Nm	16	21	27	37	35	35		
		in.lb	142	186	239	327	310	310		
Emergency stop torque <sup>a) b) e)</sup> (permitted 1000 times during the service life of the gearbox)	$T_{2Not}$	Nm	41	55	69	75	75	75		
		in.lb	363	487	611	664	664	664		
Permitted average input speed <sup>d)</sup> (at $T_{2a}$ and 20 °C ambient temperature)	$n_{1N}$	rpm	3300	3300	3300	3300	3300	3300		
Max. input speed	$n_{1Max}$	rpm	5000	5000	5000	5000	5000	5000		
Mean no load running torque <sup>b)</sup> (at $n_1=3000$ rpm and 20 °C gearbox temperature)	$T_{012}$	Nm	0.55	0.55	0.55	0.55	0.55	0.55		
		in.lb	4.9	4.9	4.9	4.9	4.9	4.9		
Max. backlash	$j_t$	arcmin	≤ 17							
Torsional rigidity <sup>b)</sup>	$C_{t21}$	Nm/arcmin	1.7	1.7	1.7	1.7	1.7	1.7		
		in.lb/arcmin	15	15	15	15	15	15		
Max. axial force <sup>c)</sup>	$F_{2AMax}$	N	750							
		lb <sub>f</sub>	169							
Max. lateral force <sup>c) 1)</sup>	$F_{2QMax}$	N	500							
		lb <sub>f</sub>	113							
Max. tilting moment	$M_{2KMMax}$	Nm	17							
		in.lb	150							
Efficiency at full load	$\eta$	%	95							
Service life	$L_h$	h	> 20000							
Weight (incl. standard adapter plate)	$m$	kg	1.6							
		lb <sub>m</sub>	3.5							
Operating noise (at reference ratio and reference speed – ratio-specific values available in cymex®)	$L_{PA}$	dB(A)	≤ 70							
Max. permitted housing temperature		°C	+90							
		°F	+194							
Ambient temperature		°C	0 to +40							
		°F	+32 to +104							
Lubrication			Lubricated for life							
Direction of rotation			In- and output same direction							
Protection class			IP 64							
Elastomer coupling (recommended product type – validate sizing with cymex®)			ELC-0020BA014.000-X							
Bore diameter of coupling on the application side		mm	X = 008.000 - 025.000							
Mass moment of inertia (relates to the drive) Clamping hub diameter [mm]	C	14	$J_1$	kgcm <sup>2</sup>	0.3	0.3	0.3	0.3	0.3	0.3
				10 <sup>-3</sup> in.lb.s <sup>2</sup>	0.27	0.27	0.27	0.27	0.27	0.27

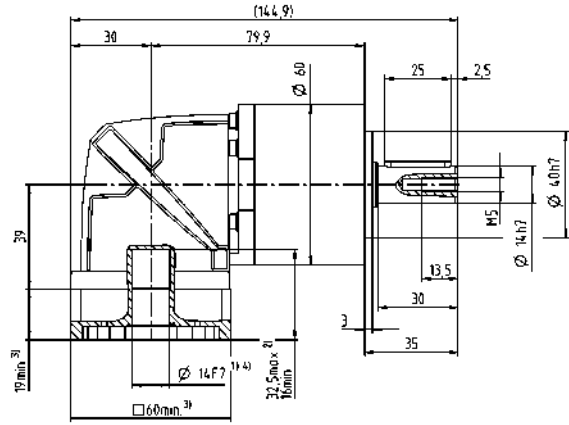
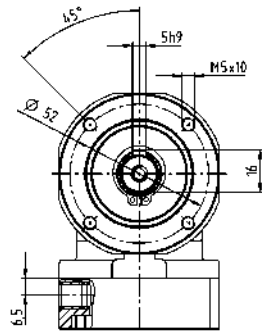
Please use our sizing software cymex® for a detailed sizing – [www.wittenstein-cymex.com](http://www.wittenstein-cymex.com)  
Please consider the maximum permissible tilting moment caused by the motor  $M_{1KMot}$  – see sizing

- <sup>a)</sup> Valid for torque transmission only
- <sup>b)</sup> Valid for standard clamping hub diameter
- <sup>c)</sup> Refers to center of the output shaft or flange
- <sup>d)</sup> Please reduce input speed at higher ambient temperatures
- <sup>e)</sup> Valid for: Smooth shaft
- <sup>1)</sup> At increased lateral forces – see glossary

Motor shaft diameter [mm]

# 2-stage

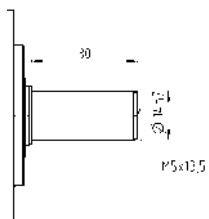
up to 14<sup>4)</sup> (C)<sup>5)</sup>  
clamping hub diameter



Bevel Gearboxes  
Basic Line

## Other output variants

Smooth shaft



Non-tolerated dimensions are nominal dimensions

<sup>1)</sup> Check motor shaft fit

<sup>2)</sup> Min. / Max. permissible motor shaft length

Longer motor shafts are possible, please contact alpha

<sup>3)</sup> The dimensions depend on the motor

<sup>4)</sup> Smaller motor shaft diameter is compensated

by a bushing with a minimum wall thickness of 1 mm

<sup>5)</sup> Standard clamping hub diameter

# CPK 015 MF 3-stage

			3-stage												
Ratio	i		9	12	15	16	20	25	28	30	35	40	50	70	100
Max. torque <sup>a) b) e)</sup>	$T_{2a}$	Nm	48	48	48	56	56	58	56	48	58	56	58	58	56
		in.lb	425	425	425	496	496	513	496	425	513	496	513	513	496
Max. acceleration torque <sup>a)</sup> (max. 1000 cycles per hour)	$T_{2B}$	Nm	30	30	30	35	35	40	35	30	40	35	40	40	35
		in.lb	266	266	266	310	310	354	310	266	354	310	354	354	310
Emergency stop torque <sup>a) b) e)</sup> (permitted 1000 times during the service life of the gearbox)	$T_{2Not}$	Nm	75	75	75	75	75	75	75	75	75	75	75	75	75
		in.lb	664	664	664	664	664	664	664	664	664	664	664	664	664
Permitted average input speed <sup>d)</sup> (at $T_{2a}$ and 20 °C ambient temperature)	$n_{1N}$	rpm	3300	3300	3300	3300	3300	3300	3300	3300	3300	3300	3300	3300	3300
Max. input speed	$n_{1Max}$	rpm	5000	5000	5000	5000	5000	5000	5000	5000	5000	5000	5000	5000	5000
Mean no load running torque <sup>b)</sup> (at $n_1=3000$ rpm and 20 °C gearbox temperature)	$T_{012}$	Nm	0.63	0.63	0.63	0.63	0.63	0.63	0.63	0.63	0.63	0.63	0.63	0.63	0.63
		in.lb	5.6	5.6	5.6	5.6	5.6	5.6	5.6	5.6	5.6	5.6	5.6	5.6	5.6
Max. backlash	$j_t$	arcmin	≤ 17												
Torsional rigidity <sup>b)</sup>	$C_{t21}$	Nm/arcmin	2.1	2.1	2.1	2.1	2.1	2.1	2.1	2.1	2.1	2.1	2.1	2.1	2.1
		in.lb/arcmin	19	19	19	19	19	19	19	19	19	19	19	19	19
Max. axial force <sup>c)</sup>	$F_{2AMax}$	N	750												
		lb <sub>f</sub>	169												
Max. lateral force <sup>c) 1)</sup>	$F_{2QMax}$	N	500												
		lb <sub>f</sub>	113												
Max. tilting moment	$M_{2KMMax}$	Nm	17												
		in.lb	150												
Efficiency at full load	$\eta$	%	94												
Service life	$L_h$	h	> 20000												
Weight (incl. standard adapter plate)	m	kg	1.8												
		lb <sub>m</sub>	4												
Operating noise (at reference ratio and reference speed – ratio-specific values available in cymex®)	$L_{PA}$	dB(A)	≤ 70												
Max. permitted housing temperature		°C	+90												
		°F	+194												
Ambient temperature		°C	0 to +40												
		°F	+32 to +104												
Lubrication			Lubricated for life												
Direction of rotation			In- and output same direction												
Protection class			IP 64												
Elastomer coupling (recommended product type – validate sizing with cymex®)			ELC-0020BA014.000-X												
Bore diameter of coupling on the application side		mm	X = 008.000 - 025.000												
Mass moment of inertia (relates to the drive) Clamping hub diameter [mm]	C	14	$J_1$	kgcm <sup>2</sup>	0.31	0.31	0.31	0.31	0.31	0.31	0.31	0.31	0.31	0.31	0.31
				10 <sup>-3</sup> in.lb.s <sup>2</sup>	0.27	0.27	0.27	0.27	0.27	0.27	0.27	0.27	0.27	0.27	0.27

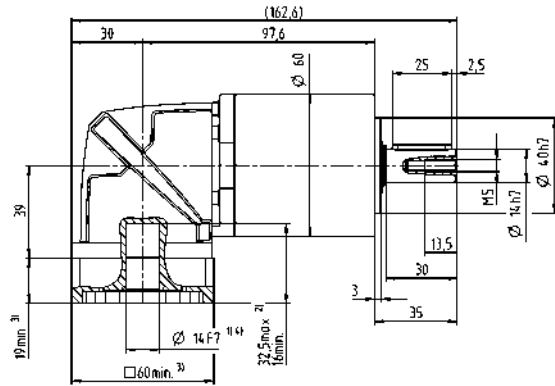
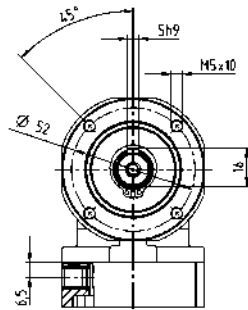
Please use our sizing software cymex® for a detailed sizing – [www.wittenstein-cymex.com](http://www.wittenstein-cymex.com)  
Please consider the maximum permissible tilting moment caused by the motor  $M_{1KMot}$  – see sizing

- <sup>a)</sup> Valid for torque transmission only
- <sup>b)</sup> Valid for standard clamping hub diameter
- <sup>c)</sup> Refers to center of the output shaft or flange
- <sup>d)</sup> Please reduce input speed at higher ambient temperatures
- <sup>e)</sup> Valid for: Smooth shaft
- <sup>1)</sup> At increased lateral forces – see glossary

Motor shaft diameter [mm]

# 3-stage

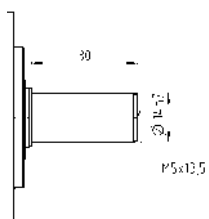
up to 14<sup>4)</sup> (C)<sup>5)</sup>  
clamping hub diameter



Bevel Gearboxes  
Basic Line

## Other output variants

Smooth shaft



Non-tolerated dimensions are nominal dimensions

<sup>1)</sup> Check motor shaft fit

<sup>2)</sup> Min. / Max. permissible motor shaft length

Longer motor shafts are possible, please contact alpha

<sup>3)</sup> The dimensions depend on the motor

<sup>4)</sup> Smaller motor shaft diameter is compensated

by a bushing with a minimum wall thickness of 1 mm

<sup>5)</sup> Standard clamping hub diameter

# CPK 025 MF 2-stage

			2-stage						
Ratio	i		3	4	5	7	8	10	
Max. torque <sup>a) b) e)</sup>	$T_{2a}$	Nm	60	80	100	140	144	144	
		in.lb	531	708	885	1239	1275	1275	
Max. acceleration torque <sup>b)</sup> (max. 1000 cycles per hour)	$T_{2B}$	Nm	35	47	58	82	90	90	
		in.lb	310	416	513	726	797	797	
Emergency stop torque <sup>a) b) e)</sup> (permitted 1000 times during the service life of the gearbox)	$T_{2Not}$	Nm	90	120	150	187	187	187	
		in.lb	797	1062	1328	1655	1655	1655	
Permitted average input speed <sup>d)</sup> (at $T_{2a}$ and 20 °C ambient temperature)	$n_{1N}$	rpm	3000	3000	3000	3000	3000	3000	
Max. input speed	$n_{1Max}$	rpm	5000	5000	5000	5000	5000	5000	
Mean no load running torque <sup>b)</sup> (at $n_1=3000$ rpm and 20 °C gearbox temperature)	$T_{012}$	Nm	0.98	0.98	0.98	0.98	0.98	0.98	
		in.lb	8.7	8.7	8.7	8.7	8.7	8.7	
Max. backlash	$j_t$	arcmin	≤ 17						
Torsional rigidity <sup>b)</sup>	$C_{t21}$	Nm/arcmin	4.5	4.5	4.5	4.5	4.5	4.5	
		in.lb/arcmin	40	40	40	40	40	40	
Max. axial force <sup>c)</sup>	$F_{2AMax}$	N	1600						
		lb <sub>f</sub>	360						
Max. lateral force <sup>c)</sup>	$F_{2QMMax}$	N	1200						
		lb <sub>f</sub>	270						
Max. tilting moment	$M_{2KMMax}$	Nm	54						
		in.lb	478						
Efficiency at full load	$\eta$	%	95						
Service life	$L_h$	h	> 20000						
Weight (incl. standard adapter plate)	m	kg	4.2						
		lb <sub>m</sub>	9.3						
Operating noise (at reference ratio and reference speed – ratio-specific values available in cymex®)	$L_{PA}$	dB(A)	≤ 73						
Max. permitted housing temperature		°C	+90						
		°F	+194						
Ambient temperature		°C	0 to +40						
		°F	+32 to +104						
Lubrication			Lubricated for life						
Direction of rotation			In- and output same direction						
Protection class			IP 64						
Elastomer coupling (recommended product type – validate sizing with cymex®)			ELC-0060BA020.000-X						
Bore diameter of coupling on the application side		mm	X = 012.000 - 032.000						
Mass moment of inertia (relates to the drive) Clamping hub diameter [mm]	E 19	$J_1$	kgcm <sup>2</sup>	0.86	0.86	0.86	0.86	0.86	0.86
			10 <sup>-3</sup> in.lb.s <sup>2</sup>	0.76	0.76	0.76	0.76	0.76	0.76

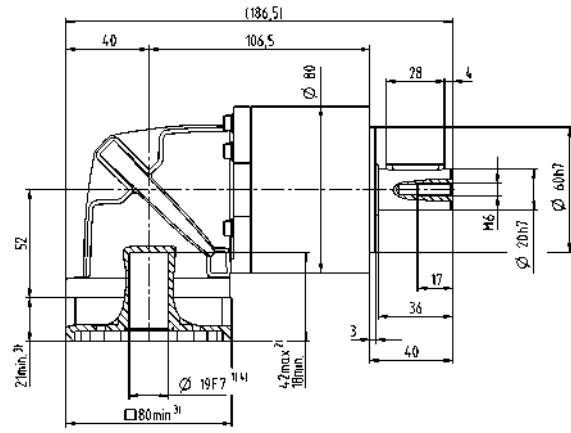
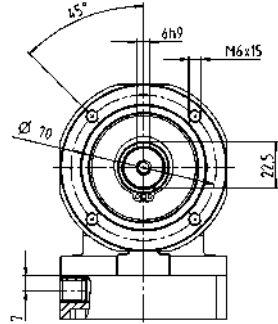
Please use our sizing software cymex® for a detailed sizing – [www.wittenstein-cymex.com](http://www.wittenstein-cymex.com)  
Please consider the maximum permissible tilting moment caused by the motor  $M_{1KMot}$  – see sizing

- <sup>a)</sup> Valid for torque transmission only
- <sup>b)</sup> Valid for standard clamping hub diameter
- <sup>c)</sup> Refers to center of the output shaft or flange
- <sup>d)</sup> Please reduce input speed at higher ambient temperatures
- <sup>e)</sup> Valid for: Smooth shaft

Motor shaft diameter [mm]

# 2-stage

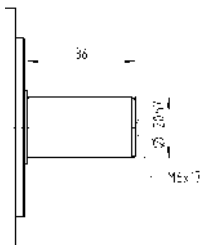
up to 19<sup>4)</sup> (E)<sup>5)</sup>  
clamping hub  
diameter



Bevel Gearboxes  
Basic Line

## Other output variants

Smooth shaft



Non-tolerated dimensions are nominal dimensions

<sup>1)</sup> Check motor shaft fit

<sup>2)</sup> Min. / Max. permissible motor shaft length

Longer motor shafts are possible, please contact alpha

<sup>3)</sup> The dimensions depend on the motor

<sup>4)</sup> Smaller motor shaft diameter is compensated by a bushing with a minimum wall thickness of 1 mm

<sup>5)</sup> Standard clamping hub diameter

# CPK 025 MF 3-stage

			3-stage												
Ratio	i		9	12	15	16	20	25	28	30	35	40	50	70	100
Max. torque <sup>a) b) e)</sup>	$T_{2a}$	Nm	112	112	112	150	150	150	150	112	150	150	150	150	144
		in.lb	991	991	991	1328	1328	1328	1328	991	1328	1328	1328	1328	1328
Max. acceleration torque <sup>a)</sup> (max. 1000 cycles per hour)	$T_{2B}$	Nm	70	70	70	95	95	95	95	70	100	95	100	100	90
		in.lb	620	620	620	841	841	841	841	620	885	841	885	885	797
Emergency stop torque <sup>a) b) e)</sup> (permitted 1000 times during the service life of the gearbox)	$T_{2Not}$	Nm	187	187	187	187	187	187	187	187	187	187	187	187	187
		in.lb	1655	1655	1655	1655	1655	1655	1655	1655	1655	1655	1655	1655	1655
Permitted average input speed <sup>d)</sup> (at $T_{2a}$ and 20 °C ambient temperature)	$n_{1N}$	rpm	3000	3000	3000	3000	3000	3000	3000	3000	3000	3000	3000	3000	3000
Max. input speed	$n_{1Max}$	rpm	5000	5000	5000	5000	5000	5000	5000	5000	5000	5000	5000	5000	5000
Mean no load running torque <sup>b)</sup> (at $n_1=3000$ rpm and 20 °C gearbox temperature)	$T_{012}$	Nm	1.1	1.1	1.1	1.1	1.1	1.1	1.1	1.1	1.1	1.1	1.1	1.1	1.1
		in.lb	9.7	9.7	9.7	9.7	9.7	9.7	9.7	9.7	9.7	9.7	9.7	9.7	9.7
Max. backlash	$j_t$	arcmin	≤ 18												
Torsional rigidity <sup>b)</sup>	$C_{t21}$	Nm/arcmin	5.9	5.9	5.9	5.9	5.9	5.9	5.9	5.9	5.9	5.9	5.9	5.9	5.9
		in.lb/arcmin	52	52	52	52	52	52	52	52	52	52	52	52	52
Max. axial force <sup>c)</sup>	$F_{2AMax}$	N	1600												
		lb <sub>f</sub>	360												
Max. lateral force <sup>c)</sup>	$F_{2QMax}$	N	1200												
		lb <sub>f</sub>	270												
Max. tilting moment	$M_{2KMMax}$	Nm	54												
		in.lb	478												
Efficiency at full load	$\eta$	%	94												
Service life	$L_h$	h	> 20000												
Weight (incl. standard adapter plate)	m	kg	4.5												
		lb <sub>m</sub>	9.9												
Operating noise (at reference ratio and reference speed – ratio-specific values available in cymex®)	$L_{PA}$	dB(A)	≤ 73												
Max. permitted housing temperature		°C	+90												
		°F	+194												
Ambient temperature		°C	0 to +40												
		°F	+32 to +104												
Lubrication			Lubricated for life												
Direction of rotation			In- and output same direction												
Protection class			IP 64												
Elastomer coupling (recommended product type – validate sizing with cymex®)			ELC-0060BA020.000-X												
Bore diameter of coupling on the application side		mm	X = 012.000 - 032.000												
Mass moment of inertia (relates to the drive) Clamping hub diameter [mm]	E	19	$J_1$	kgcm <sup>2</sup>	0.92	0.92	0.92	0.92	0.92	0.92	0.92	0.92	0.92	0.92	0.92
				10 <sup>-3</sup> in.lb.s <sup>2</sup>	0.81	0.81	0.81	0.81	0.81	0.81	0.81	0.81	0.81	0.81	0.81

Please use our sizing software cymex® for a detailed sizing – [www.wittenstein-cymex.com](http://www.wittenstein-cymex.com)  
Please consider the maximum permissible tilting moment caused by the motor  $M_{1KMot}$  – see sizing

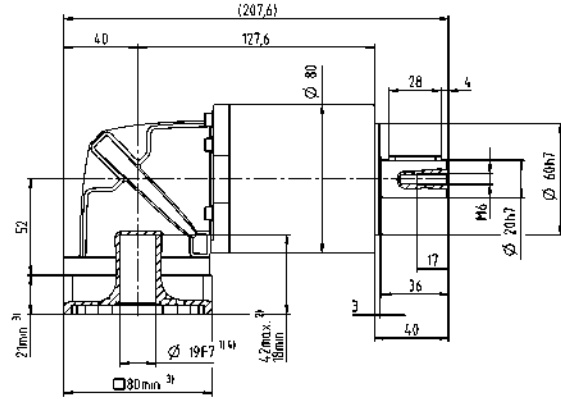
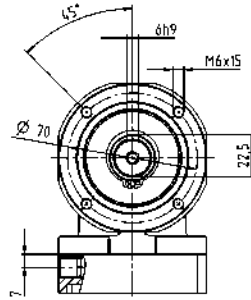
- <sup>a)</sup> Valid for torque transmission only
- <sup>b)</sup> Valid for standard clamping hub diameter
- <sup>c)</sup> Refers to center of the output shaft or flange
- <sup>d)</sup> Please reduce input speed at higher ambient temperatures
- <sup>e)</sup> Valid for: Smooth shaft



Motor shaft diameter [mm]

# 3-stage

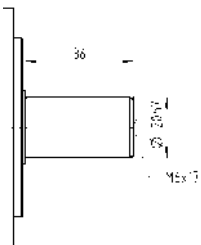
up to 19<sup>4)</sup> (E)<sup>5)</sup>  
clamping hub diameter



Bevel Gearboxes  
Basic Line

## Other output variants

Smooth shaft



Non-tolerated dimensions are nominal dimensions

<sup>1)</sup> Check motor shaft fit

<sup>2)</sup> Min. / Max. permissible motor shaft length

Longer motor shafts are possible, please contact alpha

<sup>3)</sup> The dimensions depend on the motor

<sup>4)</sup> Smaller motor shaft diameter is compensated

by a bushing with a minimum wall thickness of 1 mm

<sup>5)</sup> Standard clamping hub diameter

# CPK 035 MF 2-stage

			2-stage						
Ratio	i		3	4	5	7	8	10	
Max. torque <sup>a) b) e)</sup>	$T_{2a}$	Nm	150	200	250	272	272	272	
		in.lb	1328	1770	2213	2407	2407	2407	
Max. acceleration torque <sup>b)</sup> (max. 1000 cycles per hour)	$T_{2B}$	Nm	93	124	155	217	220	220	
		in.lb	823	1097	1372	1921	1947	1947	
Emergency stop torque <sup>a) b) e)</sup> (permitted 1000 times during the service life of the gearbox)	$T_{2Not}$	Nm	238	318	397	480	477	480	
		in.lb	2106	2815	3514	4248	4222	4248	
Permitted average input speed <sup>d)</sup> (at $T_{2a}$ and 20 °C ambient temperature)	$n_{1N}$	rpm	2000	2000	2000	2000	2000	2000	
Max. input speed	$n_{1Max}$	rpm	4500	4500	4500	4500	4500	4500	
Mean no load running torque <sup>b)</sup> (at $n_1=3000$ rpm and 20 °C gearbox temperature)	$T_{012}$	Nm	3.5	3.5	3.5	3.5	3.5	3.5	
		in.lb	31	31	31	31	31	31	
Max. backlash	$j_t$	arcmin	≤ 15						
Torsional rigidity <sup>b)</sup>	$C_{t21}$	Nm/arcmin	13	13	13	13	13	13	
		in.lb/arcmin	115	115	115	115	115	115	
Max. axial force <sup>c)</sup>	$F_{2AMax}$	N	2500						
		lb <sub>f</sub>	563						
Max. lateral force <sup>c)</sup>	$F_{2QMax}$	N	1750						
		lb <sub>f</sub>	394						
Max. tilting moment	$M_{2KMMax}$	Nm	98						
		in.lb	867						
Efficiency at full load	$\eta$	%	95						
Service life	$L_h$	h	> 20000						
Weight (incl. standard adapter plate)	m	kg	8.8						
		lb <sub>m</sub>	19						
Operating noise (at reference ratio and reference speed – ratio-specific values available in cymex®)	$L_{PA}$	dB(A)	≤ 74						
Max. permitted housing temperature		°C	+90						
		°F	+194						
Ambient temperature		°C	0 to +40						
		°F	+32 to +104						
Lubrication			Lubricated for life						
Direction of rotation			In- and output same direction						
Protection class			IP 64						
Elastomer coupling (recommended product type – validate sizing with cymex®)			ELC-0150BA025.000-X						
Bore diameter of coupling on the application side		mm	X = 019.000 - 036.000						
Mass moment of inertia (relates to the drive) Clamping hub diameter [mm]	H 28	$J_1$	kgcm <sup>2</sup>	6.1	6.1	6.1	6.1	6.1	6.1
			10 <sup>-3</sup> in.lb.s <sup>2</sup>	5.4	5.4	5.4	5.4	5.4	5.4

Please use our sizing software cymex® for a detailed sizing – [www.wittenstein-cymex.com](http://www.wittenstein-cymex.com)  
Please consider the maximum permissible tilting moment caused by the motor  $M_{1KMot}$  – see sizing

<sup>a)</sup> Valid for torque transmission only

<sup>b)</sup> Valid for standard clamping hub diameter

<sup>c)</sup> Refers to center of the output shaft or flange

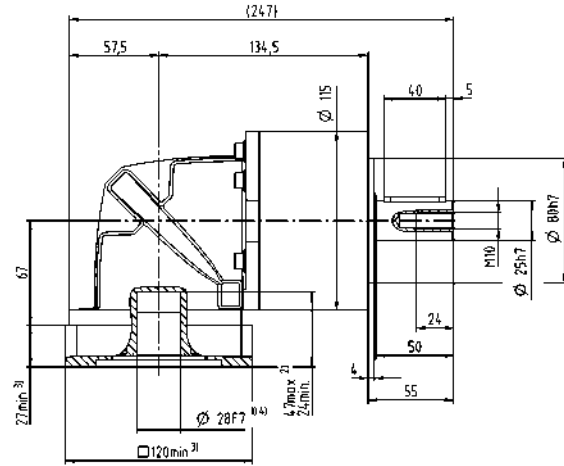
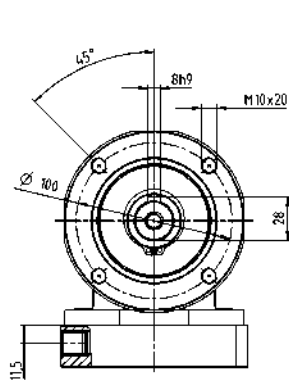
<sup>d)</sup> Please reduce input speed at higher ambient temperatures

<sup>e)</sup> Valid for: Smooth shaft

Motor shaft diameter [mm]

# 2-stage

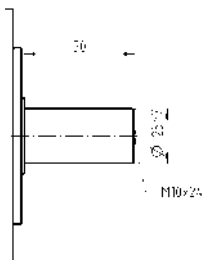
up to 28<sup>4)</sup> (H)<sup>5)</sup>  
clamping hub  
diameter



Bevel Gearboxes  
Basic Line

## Other output variants

Smooth shaft



Non-tolerated dimensions are nominal dimensions

<sup>1)</sup> Check motor shaft fit

<sup>2)</sup> Min. / Max. permissible motor shaft length

Longer motor shafts are possible, please contact alpha

<sup>3)</sup> The dimensions depend on the motor

<sup>4)</sup> Smaller motor shaft diameter is compensated

by a bushing with a minimum wall thickness of 1 mm

<sup>5)</sup> Standard clamping hub diameter

# CPK 035 MF 3-stage

			3-stage														
Ratio	i		9	12	15	16	20	25	28	30	32	35	40	50	64	70	100
Max. torque <sup>a) b) e)</sup>	$T_{2a}$	Nm	272	272	272	272	272	272	272	272	272	272	272	272	272	272	272
		in.lb	2407	2407	2407	2407	2407	2407	2407	2407	2407	2407	2407	2407	2407	2407	2407
Max. acceleration torque <sup>a)</sup> (max. 1000 cycles per hour)	$T_{2B}$	Nm	175	175	175	255	255	250	255	175	255	250	255	250	220	250	220
		in.lb	1549	1549	1549	2257	2257	2213	2257	1549	2257	2213	2257	2213	1947	2213	1947
Emergency stop torque <sup>a) b) e)</sup> (permitted 1000 times during the service life of the gearbox)	$T_{2Not}$	Nm	480	480	480	480	480	480	480	315	480	480	480	480	477	480	480
		in.lb	4248	4248	4248	4248	4248	4248	4248	2788	4248	4248	4248	4248	4222	4248	4248
Permitted average input speed <sup>d)</sup> (at $T_{2a}$ and 20 °C ambient temperature)	$n_{1N}$	rpm	2000	2000	2000	2000	2000	2000	2000	2000	2000	2000	2000	2000	2000	2000	2000
Max. input speed	$n_{1Max}$	rpm	4500	4500	4500	4500	4500	4500	4500	4500	4500	4500	4500	4500	4500	4500	4500
Mean no load running torque <sup>b)</sup> (at $n_1=3000$ rpm and 20 °C gearbox temperature)	$T_{012}$	Nm	3.8	3.8	3.8	3.8	3.8	3.8	3.8	3.8	3.8	3.8	3.8	3.8	3.8	3.8	3.8
		in.lb	34	34	34	34	34	34	34	34	34	34	34	34	34	34	34
Max. backlash	$j_t$	arcmin	≤ 17														
Torsional rigidity <sup>b)</sup>	$C_{t21}$	Nm/arcmin	16	16	16	16	16	16	16	16	16	16	16	16	16	16	16
		in.lb/arcmin	142	142	142	142	142	142	142	142	142	142	142	142	142	142	142
Max. axial force <sup>c)</sup>	$F_{2AMax}$	N	2500														
		lb <sub>f</sub>	563														
Max. lateral force <sup>c)</sup>	$F_{2OMax}$	N	1750														
		lb <sub>f</sub>	394														
Max. tilting moment	$M_{2KMMax}$	Nm	98														
		in.lb	867														
Efficiency at full load	$\eta$	%	94														
Service life	$L_h$	h	> 20000														
Weight (incl. standard adapter plate)	m	kg	10														
		lb <sub>m</sub>	22														
Operating noise (at reference ratio and reference speed – ratio-specific values available in cymex®)	$L_{PA}$	dB(A)	≤ 74														
Max. permitted housing temperature		°C	+90														
		°F	+194														
Ambient temperature		°C	0 to +40														
		°F	+32 to +104														
Lubrication			Lubricated for life														
Direction of rotation			In- and output same direction														
Protection class			IP 64														
Elastomer coupling (recommended product type – validate sizing with cymex®)			ELC-0150BA025.000-X														
Bore diameter of coupling on the application side		mm	X = 019.000 - 036.000														
Mass moment of inertia (relates to the drive) Clamping hub diameter [mm]	H	28	$J_1$	kgcm <sup>2</sup>	6.3	6.3	6.3	6.3	6.3	6.3	6.3	6.3	6.3	6.3	6.3	6.3	6.3
				10 <sup>-3</sup> in.lb.s <sup>2</sup>	5.6	5.6	5.6	5.6	5.6	5.6	5.6	5.6	5.6	5.6	5.6	5.6	5.6

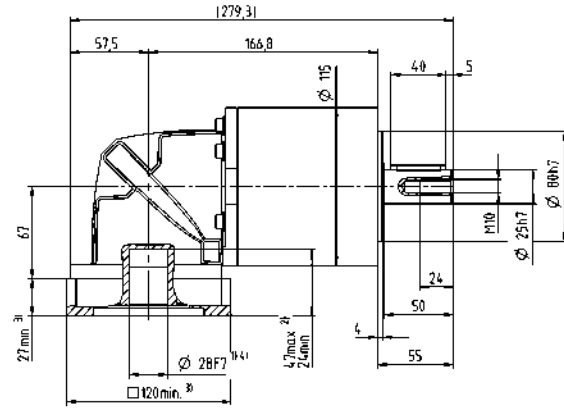
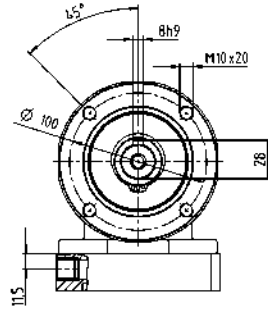
Please use our sizing software cymex® for a detailed sizing – [www.wittenstein-cymex.com](http://www.wittenstein-cymex.com)  
Please consider the maximum permissible tilting moment caused by the motor  $M_{1KMot}$  – see sizing

- <sup>a)</sup> Valid for torque transmission only
- <sup>b)</sup> Valid for standard clamping hub diameter
- <sup>c)</sup> Refers to center of the output shaft or flange
- <sup>d)</sup> Please reduce input speed at higher ambient temperatures
- <sup>e)</sup> Valid for: Smooth shaft

Motor shaft diameter [mm]

# 3-stage

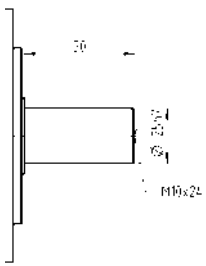
up to 28<sup>4)</sup> (H)<sup>5)</sup>  
clamping hub  
diameter



Bevel Gearboxes  
Basic Line

## Other output variants

Smooth shaft



- Non-tolerated dimensions are nominal dimensions
- <sup>1)</sup> Check motor shaft fit
- <sup>2)</sup> Min. / Max. permissible motor shaft length  
Longer motor shafts are possible, please contact alpha
- <sup>3)</sup> The dimensions depend on the motor
- <sup>4)</sup> Smaller motor shaft diameter is compensated by a bushing with a minimum wall thickness of 1 mm
- <sup>5)</sup> Standard clamping hub diameter

# CPK 045 MF 3-stage

			3-stage			
Ratio	i		25	50	100	
Max. torque <sup>a) b) e)</sup>	$T_{2a}$	Nm	700	700	640	
		in.lb	6196	6196	5665	
Max. acceleration torque <sup>e)</sup> (max. 1000 cycles per hour)	$T_{2B}$	Nm	500	500	400	
		in.lb	4425	4425	3540	
Emergency stop torque <sup>a) b) e)</sup> (permitted 1000 times during the service life of the gearbox)	$T_{2Not}$	Nm	1000	1000	1000	
		in.lb	8851	8851	8851	
Permitted average input speed <sup>d)</sup> (at $T_{2a}$ and 20 °C ambient temperature)	$n_{1N}$	rpm	2000	2000	2000	
Max. input speed	$n_{1Max}$	rpm	4500	4500	4500	
Mean no load running torque <sup>b)</sup> (at $n_1=3000$ rpm and 20 °C gearbox temperature)	$T_{012}$	Nm	3.6	3.6	3.6	
		in.lb	32	32	32	
Max. backlash	$j_t$	arcmin	≤ 16			
Torsional rigidity <sup>b)</sup>	$C_{121}$	Nm/arcmin	54	54	54	
		in.lb/arcmin	478	478	478	
Max. axial force <sup>c)</sup>	$F_{2AMax}$	N	6000			
		lb <sub>f</sub>	1350			
Max. lateral force <sup>c)</sup>	$F_{2QMMax}$	N	8000			
		lb <sub>f</sub>	1800			
Max. tilting moment	$M_{2KMMax}$	Nm	704			
		in.lb	6231			
Efficiency at full load	$\eta$	%	94			
Service life	$L_h$	h	> 20000			
Weight (incl. standard adapter plate)	m	kg	21			
		lb <sub>m</sub>	46			
Operating noise (at reference ratio and reference speed – ratio-specific values available in cymex®)	$L_{PA}$	dB(A)	≤ 78			
Max. permitted housing temperature		°C	+90			
		°F	+194			
Ambient temperature		°C	0 to +40			
		°F	+32 to +104			
Lubrication			Lubricated for life			
Direction of rotation			In- and output same direction			
Protection class			IP 64			
Elastomer coupling (recommended product type – validate sizing with cymex®)			ELC-0300BA040.000-X			
Bore diameter of coupling on the application side		mm	X = 020.000 - 045.000			
Mass moment of inertia (relates to the drive) Clamping hub diameter [mm]	H 28	$J_1$	kgcm <sup>2</sup>	6.8	6.8	6.8
			10 <sup>-3</sup> in.lb.s <sup>2</sup>	6	6	6

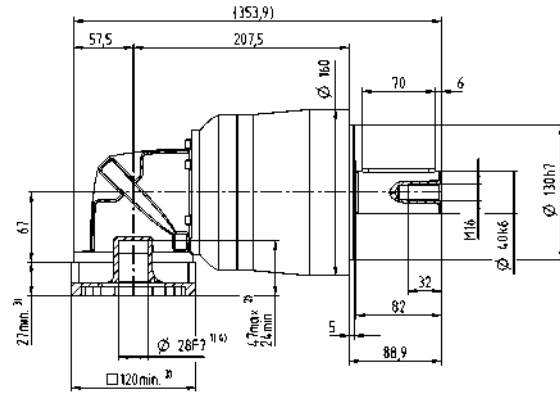
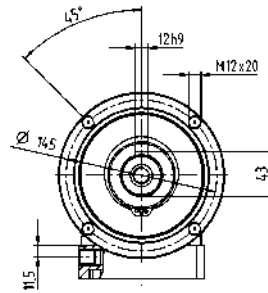
Please use our sizing software cymex® for a detailed sizing – [www.wittenstein-cymex.com](http://www.wittenstein-cymex.com)  
Please consider the maximum permissible tilting moment caused by the motor  $M_{1KMot}$  – see sizing

- <sup>a)</sup> Valid for torque transmission only
- <sup>b)</sup> Valid for standard clamping hub diameter
- <sup>c)</sup> Refers to center of the output shaft or flange
- <sup>d)</sup> Please reduce input speed at higher ambient temperatures
- <sup>e)</sup> Valid for: Smooth shaft

Motor shaft diameter [mm]

# 3-stage

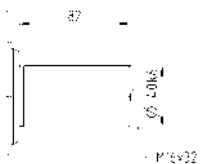
up to 28<sup>4)</sup> (H)<sup>5)</sup>  
clamping hub diameter



Bevel Gearboxes  
Basic Line

## Other output variants

Smooth shaft



- Non-tolerated dimensions are nominal dimensions
- <sup>1)</sup> Check motor shaft fit
- <sup>2)</sup> Min. / Max. permissible motor shaft length  
Longer motor shafts are possible, please contact alpha
- <sup>3)</sup> The dimensions depend on the motor
- <sup>4)</sup> Smaller motor shaft diameter is compensated by a bushing with a minimum wall thickness of 1 mm
- <sup>5)</sup> Standard clamping hub diameter

# CPSK 015 MF 2-stage

			2-stage						
Ratio	i		3	4	5	7	8	10	
Max. torque <sup>a) b) e)</sup>	$T_{2a}$	Nm	33	44	55	58	56	56	
		in.lb	292	389	487	513	496	496	
Max. acceleration torque <sup>b)</sup> (max. 1000 cycles per hour)	$T_{2B}$	Nm	16	21	27	37	35	35	
		in.lb	142	186	239	327	310	310	
Emergency stop torque <sup>a) b) e)</sup> (permitted 1000 times during the service life of the gearbox)	$T_{2Not}$	Nm	41	55	69	75	75	75	
		in.lb	363	487	611	664	664	664	
Permitted average input speed <sup>d)</sup> (at $T_{2a}$ and 20 °C ambient temperature)	$n_{1N}$	rpm	3300	3300	3300	3300	3300	3300	
Max. input speed	$n_{1Max}$	rpm	5000	5000	5000	5000	5000	5000	
Mean no load running torque <sup>b)</sup> (at $n_1=3000$ rpm and 20 °C gearbox temperature)	$T_{012}$	Nm	0.55	0.55	0.55	0.55	0.55	0.55	
		in.lb	4.9	4.9	4.9	4.9	4.9	4.9	
Max. backlash	$j_t$	arcmin	≤ 17						
Torsional rigidity <sup>b)</sup>	$C_{t21}$	Nm/arcmin	1.7	1.7	1.7	1.7	1.7	1.7	
		in.lb/arcmin	15	15	15	15	15	15	
Max. axial force <sup>c)</sup>	$F_{2AMax}$	N	750						
		lb <sub>f</sub>	169						
Max. lateral force <sup>c)</sup>	$F_{2QMax}$	N	500						
		lb <sub>f</sub>	113						
Max. tilting moment	$M_{2KMMax}$	Nm	17						
		in.lb	150						
Efficiency at full load	$\eta$	%	95						
Service life	$L_n$	h	> 20000						
Weight (incl. standard adapter plate)	m	kg	1.6						
		lb <sub>m</sub>	3.5						
Operating noise (at reference ratio and reference speed – ratio-specific values available in cymex®)	$L_{PA}$	dB(A)	≤ 70						
Max. permitted housing temperature		°C	+90						
		°F	+194						
Ambient temperature		°C	0 to +40						
		°F	+32 to +104						
Lubrication			Lubricated for life						
Direction of rotation			In- and output same direction						
Protection class			IP 64						
Elastomer coupling (recommended product type – validate sizing with cymex®)			ELC-0020BA014.000-X						
Bore diameter of coupling on the application side		mm	X = 008.000 - 025.000						
Mass moment of inertia (relates to the drive) Clamping hub diameter [mm]	C 14	$J_1$	kgcm <sup>2</sup>	0.3	0.3	0.3	0.3	0.3	0.3
			10 <sup>-3</sup> in.lb.s <sup>2</sup>	0.27	0.27	0.27	0.27	0.27	0.27

Please use our sizing software cymex® for a detailed sizing – [www.wittenstein-cymex.com](http://www.wittenstein-cymex.com)  
Please consider the maximum permissible tilting moment caused by the motor  $M_{1KMot}$  – see sizing

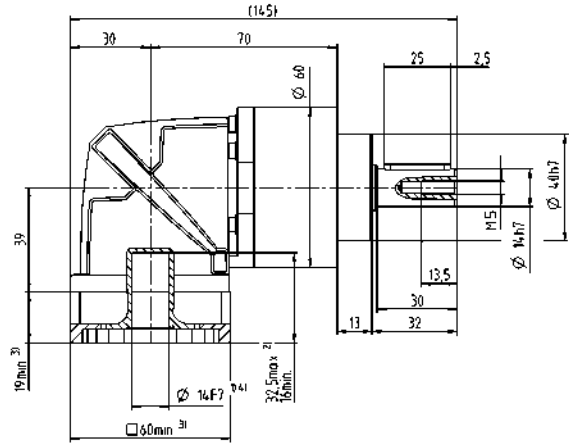
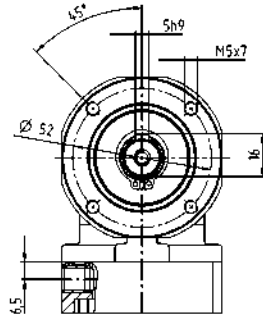
- <sup>a)</sup> Valid for torque transmission only
- <sup>b)</sup> Valid for standard clamping hub diameter
- <sup>c)</sup> Refers to center of the output shaft or flange
- <sup>d)</sup> Please reduce input speed at higher ambient temperatures
- <sup>e)</sup> Valid for: Smooth shaft



Motor shaft diameter [mm]

# 2-stage

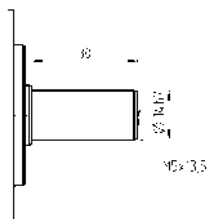
up to 14<sup>4)</sup> (C)<sup>5)</sup>  
clamping hub diameter



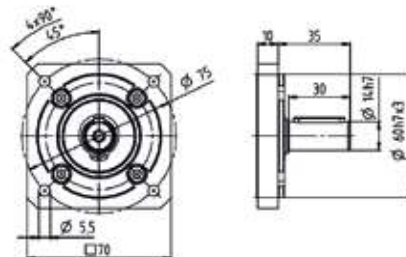
Bevel Gearboxes  
Basic Line

## Other output variants

Smooth shaft



Replaceable B5 output flange



Non-tolerated dimensions are nominal dimensions

<sup>1)</sup> Check motor shaft fit

<sup>2)</sup> Min. / Max. permissible motor shaft length

Longer motor shafts are possible, please contact alpha

<sup>3)</sup> The dimensions depend on the motor

<sup>4)</sup> Smaller motor shaft diameter is compensated

by a bushing with a minimum wall thickness of 1 mm

<sup>5)</sup> Standard clamping hub diameter

# CPSK 015 MF 3-stage

			3-stage												
Ratio	i		9	12	15	16	20	25	28	30	35	40	50	70	100
Max. torque <sup>a) b) e)</sup>	$T_{2a}$	Nm	48	48	48	56	56	58	56	48	58	56	58	58	56
		in.lb	425	425	425	496	496	513	496	425	513	496	513	513	496
Max. acceleration torque <sup>a)</sup> (max. 1000 cycles per hour)	$T_{2B}$	Nm	30	30	30	35	35	40	35	30	40	35	40	40	35
		in.lb	266	266	266	310	310	354	310	266	354	310	354	354	310
Emergency stop torque <sup>a) b) e)</sup> (permitted 1000 times during the service life of the gearbox)	$T_{2Not}$	Nm	75	75	75	75	75	75	75	75	75	75	75	75	75
		in.lb	664	664	664	664	664	664	664	664	664	664	664	664	664
Permitted average input speed <sup>d)</sup> (at $T_{2a}$ and 20 °C ambient temperature)	$n_{1N}$	rpm	3300	3300	3300	3300	3300	3300	3300	3300	3300	3300	3300	3300	3300
Max. input speed	$n_{1Max}$	rpm	5000	5000	5000	5000	5000	5000	5000	5000	5000	5000	5000	5000	5000
Mean no load running torque <sup>b)</sup> (at $n_1=3000$ rpm and 20 °C gearbox temperature)	$T_{012}$	Nm	0.63	0.63	0.63	0.63	0.63	0.63	0.63	0.63	0.63	0.63	0.63	0.63	0.63
		in.lb	5.6	5.6	5.6	5.6	5.6	5.6	5.6	5.6	5.6	5.6	5.6	5.6	5.6
Max. backlash	$j_i$	arcmin	≤ 17												
Torsional rigidity <sup>b)</sup>	$C_{221}$	Nm/arcmin	2.1	2.1	2.1	2.1	2.1	2.1	2.1	2.1	2.1	2.1	2.1	2.1	2.1
		in.lb/arcmin	19	19	19	19	19	19	19	19	19	19	19	19	19
Max. axial force <sup>c)</sup>	$F_{2AMax}$	N	750												
		lb <sub>f</sub>	169												
Max. lateral force <sup>c)</sup>	$F_{2QMax}$	N	500												
		lb <sub>f</sub>	113												
Max. tilting moment	$M_{2KMMax}$	Nm	17												
		in.lb	150												
Efficiency at full load	$\eta$	%	94												
Service life	$L_n$	h	> 20000												
Weight (incl. standard adapter plate)	m	kg	1.8												
		lb <sub>m</sub>	4												
Operating noise (at reference ratio and reference speed – ratio-specific values available in cymex®)	$L_{PA}$	dB(A)	≤ 70												
Max. permitted housing temperature		°C	+90												
		°F	+194												
Ambient temperature		°C	0 to +40												
		°F	+32 to +104												
Lubrication			Lubricated for life												
Direction of rotation			In- and output same direction												
Protection class			IP 64												
Elastomer coupling (recommended product type – validate sizing with cymex®)			ELC-0020BA014.000-X												
Bore diameter of coupling on the application side		mm	X = 008.000 - 025.000												
Mass moment of inertia (relates to the drive) Clamping hub diameter [mm]	C	14	$J_1$	kgcm <sup>2</sup>	0.31	0.31	0.31	0.31	0.31	0.31	0.31	0.31	0.31	0.31	0.31
				10 <sup>-3</sup> in.lb.s <sup>2</sup>	0.27	0.27	0.27	0.27	0.27	0.27	0.27	0.27	0.27	0.27	0.27

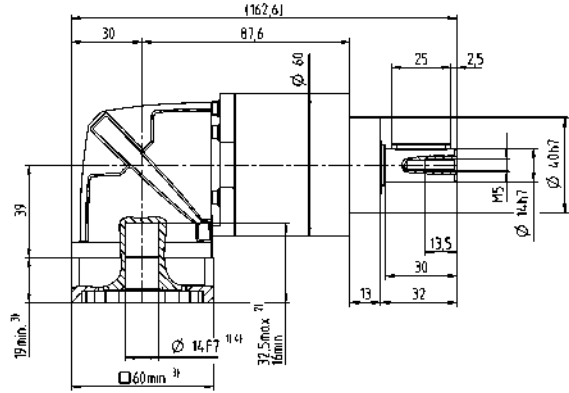
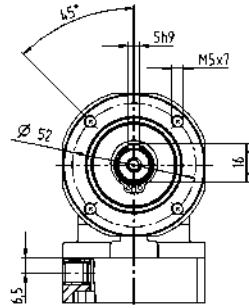
Please use our sizing software cymex® for a detailed sizing – [www.wittenstein-cymex.com](http://www.wittenstein-cymex.com)  
Please consider the maximum permissible tilting moment caused by the motor  $M_{1KMot}$  – see sizing

- <sup>a)</sup> Valid for torque transmission only
- <sup>b)</sup> Valid for standard clamping hub diameter
- <sup>c)</sup> Refers to center of the output shaft or flange
- <sup>d)</sup> Please reduce input speed at higher ambient temperatures
- <sup>e)</sup> Valid for: Smooth shaft

Motor shaft diameter [mm]

# 3-stage

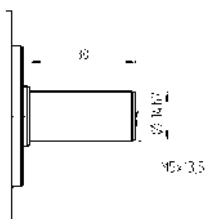
up to 14<sup>4)</sup> (C)<sup>5)</sup>  
clamping hub diameter



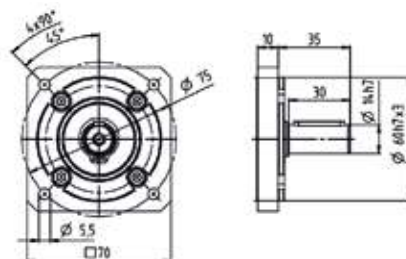
Bevel Gearboxes  
Basic Line

## Other output variants

Smooth shaft



Replaceable B5 output flange



Non-tolerated dimensions are nominal dimensions

<sup>1)</sup> Check motor shaft fit

<sup>2)</sup> Min. / Max. permissible motor shaft length

Longer motor shafts are possible, please contact alpha

<sup>3)</sup> The dimensions depend on the motor

<sup>4)</sup> Smaller motor shaft diameter is compensated

by a bushing with a minimum wall thickness of 1 mm

<sup>5)</sup> Standard clamping hub diameter

# CPSK 025 MF 2-stage

			2-stage						
Ratio	i		3	4	5	7	8	10	
Max. torque <sup>a) b) e)</sup>	$T_{2a}$	Nm	60	80	100	140	144	144	
		in.lb	531	708	885	1239	1275	1275	
Max. acceleration torque <sup>b)</sup> (max. 1000 cycles per hour)	$T_{2B}$	Nm	35	47	58	82	90	90	
		in.lb	310	416	513	726	797	797	
Emergency stop torque <sup>a) b) e)</sup> (permitted 1000 times during the service life of the gearbox)	$T_{2Not}$	Nm	90	120	150	187	187	187	
		in.lb	797	1062	1328	1655	1655	1655	
Permitted average input speed <sup>d)</sup> (at $T_{2a}$ and 20 °C ambient temperature)	$n_{1N}$	rpm	3000	3000	3000	3000	3000	3000	
Max. input speed	$n_{1Max}$	rpm	5000	5000	5000	5000	5000	5000	
Mean no load running torque <sup>b)</sup> (at $n_1=3000$ rpm and 20 °C gearbox temperature)	$T_{012}$	Nm	0.98	0.98	0.98	0.98	0.98	0.98	
		in.lb	8.7	8.7	8.7	8.7	8.7	8.7	
Max. backlash	$j_t$	arcmin	≤ 17						
Torsional rigidity <sup>b)</sup>	$C_{t21}$	Nm/arcmin	4.5	4.5	4.5	4.5	4.5	4.5	
		in.lb/arcmin	40	40	40	40	40	40	
Max. axial force <sup>c)</sup>	$F_{2AMax}$	N	1600						
		lb <sub>f</sub>	360						
Max. lateral force <sup>c)</sup>	$F_{2QMax}$	N	1200						
		lb <sub>f</sub>	270						
Max. tilting moment	$M_{2KMMax}$	Nm	54						
		in.lb	478						
Efficiency at full load	$\eta$	%	95						
Service life	$L_h$	h	> 20000						
Weight (incl. standard adapter plate)	m	kg	4.2						
		lb <sub>m</sub>	9.3						
Operating noise (at reference ratio and reference speed – ratio-specific values available in cymex®)	$L_{PA}$	dB(A)	≤ 73						
Max. permitted housing temperature		°C	+90						
		°F	+194						
Ambient temperature		°C	0 to +40						
		°F	+32 to +104						
Lubrication			Lubricated for life						
Direction of rotation			In- and output same direction						
Protection class			IP 64						
Elastomer coupling (recommended product type – validate sizing with cymex®)			ELC-0060BA020.000-X						
Bore diameter of coupling on the application side		mm	X = 012.000 - 032.000						
Mass moment of inertia (relates to the drive) Clamping hub diameter [mm]	E 19	$J_1$	kgcm <sup>2</sup>	0.86	0.86	0.86	0.86	0.86	0.86
			10 <sup>-3</sup> in.lb.s <sup>2</sup>	0.76	0.76	0.76	0.76	0.76	0.76

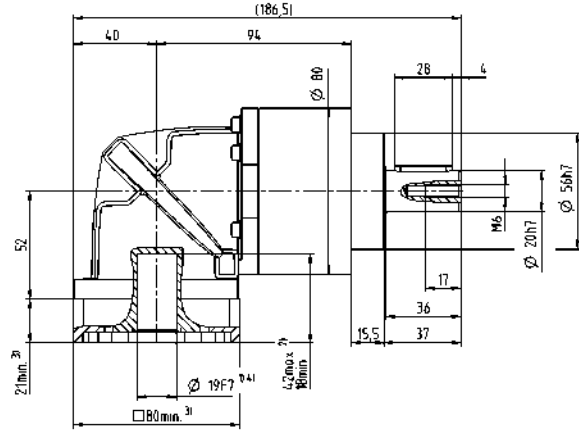
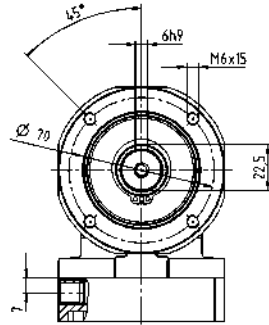
Please use our sizing software cymex® for a detailed sizing – [www.wittenstein-cymex.com](http://www.wittenstein-cymex.com)  
Please consider the maximum permissible tilting moment caused by the motor  $M_{1KMot}$  – see sizing

- <sup>a)</sup> Valid for torque transmission only
- <sup>b)</sup> Valid for standard clamping hub diameter
- <sup>c)</sup> Refers to center of the output shaft or flange
- <sup>d)</sup> Please reduce input speed at higher ambient temperatures
- <sup>e)</sup> Valid for: Smooth shaft

Motor shaft diameter [mm]

# 2-stage

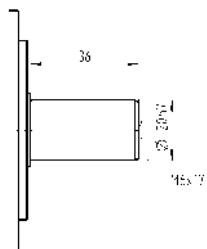
up to 19<sup>4)</sup> (E)<sup>5)</sup>  
clamping hub  
diameter



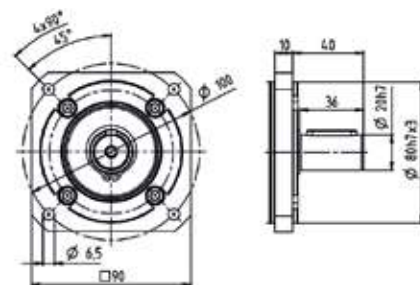
Bevel Gearboxes  
Basic Line

## Other output variants

Smooth shaft



Replaceable B5 output flange



Non-tolerated dimensions are nominal dimensions

<sup>1)</sup> Check motor shaft fit

<sup>2)</sup> Min. / Max. permissible motor shaft length

Longer motor shafts are possible, please contact alpha

<sup>3)</sup> The dimensions depend on the motor

<sup>4)</sup> Smaller motor shaft diameter is compensated

by a bushing with a minimum wall thickness of 1 mm

<sup>5)</sup> Standard clamping hub diameter

# CPSK 025 MF 3-stage

			3-stage												
Ratio	i		9	12	15	16	20	25	28	30	35	40	50	70	100
Max. torque <sup>a) b) e)</sup>	$T_{2a}$	Nm	112	112	112	150	150	150	150	112	150	150	150	150	144
		in.lb	991	991	991	1328	1328	1328	1328	991	1328	1328	1328	1328	1328
Max. acceleration torque <sup>a)</sup> (max. 1000 cycles per hour)	$T_{2B}$	Nm	70	70	70	95	95	95	95	70	100	95	100	100	90
		in.lb	620	620	620	841	841	841	841	620	885	841	885	885	797
Emergency stop torque <sup>a) b) e)</sup> (permitted 1000 times during the service life of the gearbox)	$T_{2Not}$	Nm	187	187	187	187	187	187	187	187	187	187	187	187	187
		in.lb	1655	1655	1655	1655	1655	1655	1655	1655	1655	1655	1655	1655	1655
Permitted average input speed <sup>d)</sup> (at $T_{2a}$ and 20 °C ambient temperature)	$n_{1N}$	rpm	3000	3000	3000	3000	3000	3000	3000	3000	3000	3000	3000	3000	3000
Max. input speed	$n_{1Max}$	rpm	5000	5000	5000	5000	5000	5000	5000	5000	5000	5000	5000	5000	5000
Mean no load running torque <sup>b)</sup> (at $n_1=3000$ rpm and 20 °C gearbox temperature)	$T_{012}$	Nm	1.1	1.1	1.1	1.1	1.1	1.1	1.1	1.1	1.1	1.1	1.1	1.1	1.1
		in.lb	9.7	9.7	9.7	9.7	9.7	9.7	9.7	9.7	9.7	9.7	9.7	9.7	9.7
Max. backlash	$j_t$	arcmin	≤ 18												
Torsional rigidity <sup>b)</sup>	$C_{t21}$	Nm/arcmin	5.9	5.9	5.9	5.9	5.9	5.9	5.9	5.9	5.9	5.9	5.9	5.9	5.9
		in.lb/arcmin	52	52	52	52	52	52	52	52	52	52	52	52	52
Max. axial force <sup>c)</sup>	$F_{2AMax}$	N	1600												
		lb <sub>f</sub>	360												
Max. lateral force <sup>c)</sup>	$F_{2QMax}$	N	1200												
		lb <sub>f</sub>	270												
Max. tilting moment	$M_{2KMMax}$	Nm	54												
		in.lb	478												
Efficiency at full load	$\eta$	%	94												
Service life	$L_h$	h	> 20000												
Weight (incl. standard adapter plate)	$m$	kg	4.5												
		lb <sub>m</sub>	9.9												
Operating noise (at reference ratio and reference speed – ratio-specific values available in cymex®)	$L_{PA}$	dB(A)	≤ 73												
Max. permitted housing temperature		°C	+90												
		°F	+194												
Ambient temperature		°C	0 to +40												
		°F	+32 to +104												
Lubrication			Lubricated for life												
Direction of rotation			In- and output same direction												
Protection class			IP 64												
Elastomer coupling (recommended product type – validate sizing with cymex®)			ELC-0060BA020.000-X												
Bore diameter of coupling on the application side		mm	X = 012.000 - 032.000												
Mass moment of inertia (relates to the drive) Clamping hub diameter [mm]	E 19	$J_1$	kgcm <sup>2</sup>	0.92	0.92	0.92	0.92	0.92	0.92	0.92	0.92	0.92	0.92	0.92	0.92
			10 <sup>-3</sup> in.lb.s <sup>2</sup>	0.81	0.81	0.81	0.81	0.81	0.81	0.81	0.81	0.81	0.81	0.81	0.81

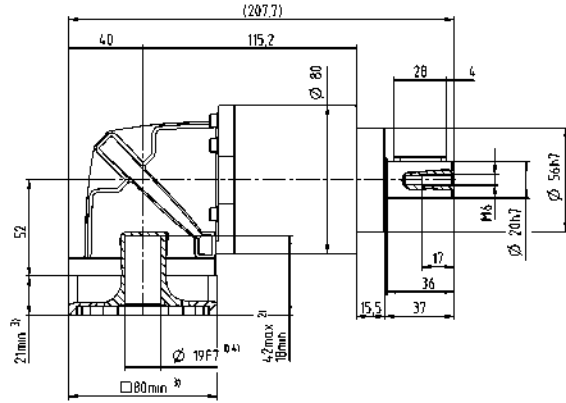
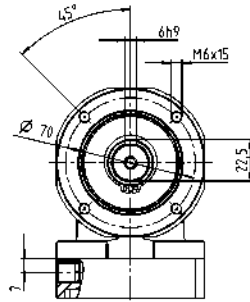
Please use our sizing software cymex® for a detailed sizing – [www.wittenstein-cymex.com](http://www.wittenstein-cymex.com)  
Please consider the maximum permissible tilting moment caused by the motor  $M_{1KMot}$  – see sizing

- <sup>a)</sup> Valid for torque transmission only
- <sup>b)</sup> Valid for standard clamping hub diameter
- <sup>c)</sup> Refers to center of the output shaft or flange
- <sup>d)</sup> Please reduce input speed at higher ambient temperatures
- <sup>e)</sup> Valid for: Smooth shaft

Motor shaft diameter [mm]

# 3-stage

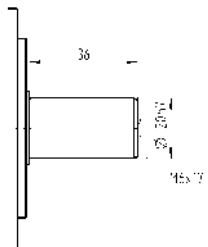
up to 19<sup>4)</sup> (E)<sup>5)</sup>  
clamping hub diameter



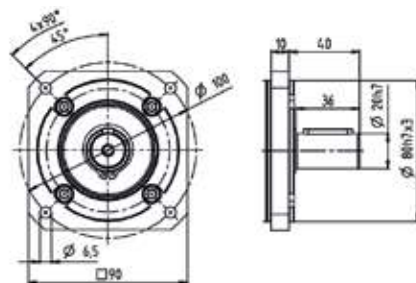
Bevel Gearboxes  
Basic Line

## Other output variants

Smooth shaft



Replaceable B5 output flange



Non-tolerated dimensions are nominal dimensions

<sup>1)</sup> Check motor shaft fit

<sup>2)</sup> Min. / Max. permissible motor shaft length

Longer motor shafts are possible, please contact alpha

<sup>3)</sup> The dimensions depend on the motor

<sup>4)</sup> Smaller motor shaft diameter is compensated by a bushing with a minimum wall thickness of 1 mm

<sup>5)</sup> Standard clamping hub diameter

# CPSK 035 MF 2-stage

			2-stage						
Ratio	i		3	4	5	7	8	10	
Max. torque <sup>a) b) e)</sup>	$T_{2a}$	Nm	150	200	250	272	272	272	
		in.lb	1328	1770	2213	2407	2407	2407	
Max. acceleration torque <sup>b)</sup> (max. 1000 cycles per hour)	$T_{2B}$	Nm	93	124	155	217	220	220	
		in.lb	823	1097	1372	1921	1947	1947	
Emergency stop torque <sup>a) b) e)</sup> (permitted 1000 times during the service life of the gearbox)	$T_{2Not}$	Nm	238	318	397	480	477	480	
		in.lb	2106	2815	3514	4248	4222	4248	
Permitted average input speed <sup>d)</sup> (at $T_{2a}$ and 20 °C ambient temperature)	$n_{1N}$	rpm	2000	2000	2000	2000	2000	2000	
Max. input speed	$n_{1Max}$	rpm	4500	4500	4500	4500	4500	4500	
Mean no load running torque <sup>b)</sup> (at $n_1=3000$ rpm and 20 °C gearbox temperature)	$T_{012}$	Nm	3.5	3.5	3.5	3.5	3.5	3.5	
		in.lb	31	31	31	31	31	31	
Max. backlash	$j_t$	arcmin	≤ 15						
Torsional rigidity <sup>b)</sup>	$C_{t21}$	Nm/arcmin	13	13	13	13	13	13	
		in.lb/arcmin	115	115	115	115	115	115	
Max. axial force <sup>c)</sup>	$F_{2AMax}$	N	2500						
		lb <sub>f</sub>	563						
Max. lateral force <sup>c)</sup>	$F_{2OMax}$	N	1750						
		lb <sub>f</sub>	394						
Max. tilting moment	$M_{2KMMax}$	Nm	98						
		in.lb	867						
Efficiency at full load	$\eta$	%	95						
Service life	$L_h$	h	> 20000						
Weight (incl. standard adapter plate)	$m$	kg	8.8						
		lb <sub>m</sub>	19						
Operating noise (at reference ratio and reference speed – ratio-specific values available in cymex®)	$L_{PA}$	dB(A)	≤ 74						
Max. permitted housing temperature		°C	+90						
		°F	+194						
Ambient temperature		°C	0 to +40						
		°F	+32 to +104						
Lubrication			Lubricated for life						
Direction of rotation			In- and output same direction						
Protection class			IP 64						
Elastomer coupling (recommended product type – validate sizing with cymex®)			ELC-0150BA025.000-X						
Bore diameter of coupling on the application side		mm	X = 019.000 - 036.000						
Mass moment of inertia (relates to the drive) Clamping hub diameter [mm]	H 28	$J_1$	kgcm <sup>2</sup>	6.1	6.1	6.1	6.1	6.1	6.1
			10 <sup>-3</sup> in.lb.s <sup>2</sup>	5.4	5.4	5.4	5.4	5.4	5.4

Please use our sizing software cymex® for a detailed sizing – [www.wittenstein-cymex.com](http://www.wittenstein-cymex.com)  
Please consider the maximum permissible tilting moment caused by the motor  $M_{1KMot}$  – see sizing

<sup>a)</sup> Valid for torque transmission only

<sup>b)</sup> Valid for standard clamping hub diameter

<sup>c)</sup> Refers to center of the output shaft or flange

<sup>d)</sup> Please reduce input speed at higher ambient temperatures

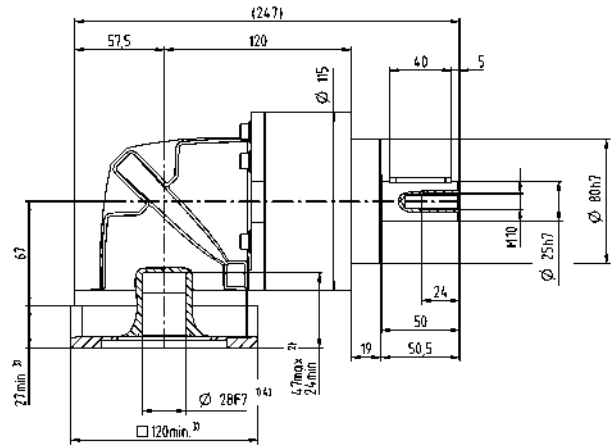
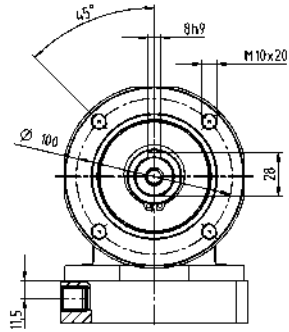
<sup>e)</sup> Valid for: Smooth shaft



Motor shaft diameter [mm]

# 2-stage

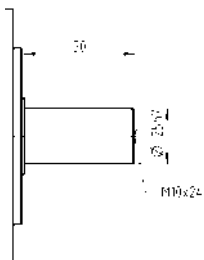
up to 28<sup>4)</sup> (H)<sup>5)</sup>  
clamping hub diameter



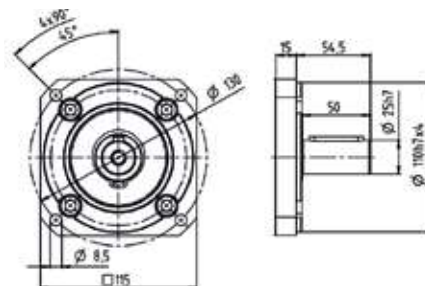
Bevel Gearboxes  
Basic Line

## Other output variants

Smooth shaft



Replaceable B5 output flange



Non-tolerated dimensions are nominal dimensions

- <sup>1)</sup> Check motor shaft fit
- <sup>2)</sup> Min. / Max. permissible motor shaft length  
Longer motor shafts are possible, please contact alpha
- <sup>3)</sup> The dimensions depend on the motor
- <sup>4)</sup> Smaller motor shaft diameter is compensated by a bushing with a minimum wall thickness of 1 mm
- <sup>5)</sup> Standard clamping hub diameter

# CPSK 035 MF 3-stage

			3-stage												
Ratio	i		9	12	15	16	20	25	28	30	35	40	50	70	100
Max. torque <sup>a) b) e)</sup>	$T_{2a}$	Nm	272	272	272	272	272	272	272	272	272	272	272	272	272
		in.lb	2407	2407	2407	2407	2407	2407	2407	2407	2407	2407	2407	2407	2407
Max. acceleration torque <sup>e)</sup> (max. 1000 cycles per hour)	$T_{2B}$	Nm	175	175	175	255	255	250	255	175	250	255	250	250	220
		in.lb	1549	1549	1549	2257	2257	2213	2257	1549	2213	2257	2213	2213	1947
Emergency stop torque <sup>a) b) e)</sup> (permitted 1000 times during the service life of the gearbox)	$T_{2Not}$	Nm	480	480	480	480	480	480	480	315	480	480	480	480	480
		in.lb	4248	4248	4248	4248	4248	4248	4248	2788	4248	4248	4248	4248	4248
Permitted average input speed <sup>d)</sup> (at $T_{2a}$ and 20 °C ambient temperature)	$n_{1N}$	rpm	2000	2000	2000	2000	2000	2000	2000	2000	2000	2000	2000	2000	2000
Max. input speed	$n_{1Max}$	rpm	4500	4500	4500	4500	4500	4500	4500	4500	4500	4500	4500	4500	4500
Mean no load running torque <sup>b)</sup> (at $n_1=3000$ rpm and 20 °C gearbox temperature)	$T_{012}$	Nm	3.8	3.8	3.8	3.8	3.8	3.8	3.8	3.8	3.8	3.8	3.8	3.8	3.8
		in.lb	34	34	34	34	34	34	34	34	34	34	34	34	34
Max. backlash	$j_t$	arcmin	≤ 17												
Torsional rigidity <sup>b)</sup>	$C_{t21}$	Nm/arcmin	16	16	16	16	16	16	16	16	16	16	16	16	16
		in.lb/arcmin	142	142	142	142	142	142	142	142	142	142	142	142	142
Max. axial force <sup>c)</sup>	$F_{2AMax}$	N	2500												
		lb <sub>f</sub>	563												
Max. lateral force <sup>c)</sup>	$F_{2QMax}$	N	1750												
		lb <sub>f</sub>	394												
Max. tilting moment	$M_{2KMMax}$	Nm	98												
		in.lb	867												
Efficiency at full load	$\eta$	%	94												
Service life	$L_h$	h	> 20000												
Weight (incl. standard adapter plate)	m	kg	10												
		lb <sub>m</sub>	22												
Operating noise (at reference ratio and reference speed – ratio-specific values available in cymex®)	$L_{PA}$	dB(A)	≤ 74												
Max. permitted housing temperature		°C	+90												
		°F	+194												
Ambient temperature		°C	0 to +40												
		°F	+32 to +104												
Lubrication			Lubricated for life												
Direction of rotation			In- and output same direction												
Protection class			IP 64												
Elastomer coupling (recommended product type – validate sizing with cymex®)			ELC-0150BA025.000-X												
Bore diameter of coupling on the application side		mm	X = 019.000 - 036.000												
Mass moment of inertia (relates to the drive) Clamping hub diameter [mm]	H 28	$J_1$	kgcm <sup>2</sup>	6.3	6.3	6.3	6.3	6.3	6.3	6.3	6.3	6.3	6.3	6.3	6.3
			10 <sup>-3</sup> in.lb.s <sup>2</sup>	5.6	5.6	5.6	5.6	5.6	5.6	5.6	5.6	5.6	5.6	5.6	5.6

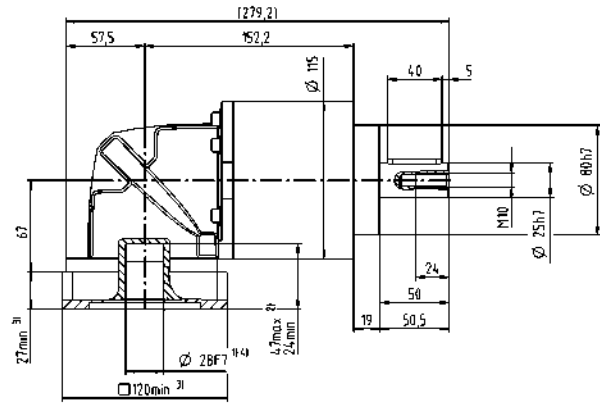
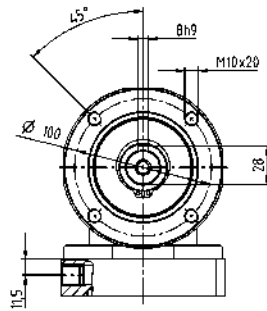
Please use our sizing software cymex® for a detailed sizing – [www.wittenstein-cymex.com](http://www.wittenstein-cymex.com)  
Please consider the maximum permissible tilting moment caused by the motor  $M_{1KMot}$  – see sizing

- <sup>a)</sup> Valid for torque transmission only
- <sup>b)</sup> Valid for standard clamping hub diameter
- <sup>c)</sup> Refers to center of the output shaft or flange
- <sup>d)</sup> Please reduce input speed at higher ambient temperatures
- <sup>e)</sup> Valid for: Smooth shaft

Motor shaft diameter [mm]

# 3-stage

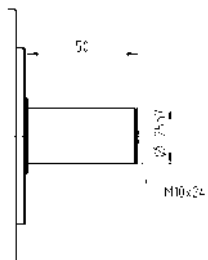
up to 28<sup>4)</sup> (H)<sup>5)</sup>  
clamping hub  
diameter



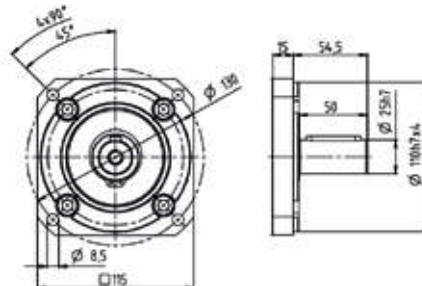
Bevel Gearboxes  
Basic Line

## Other output variants

Smooth shaft



Replaceable B5 output flange



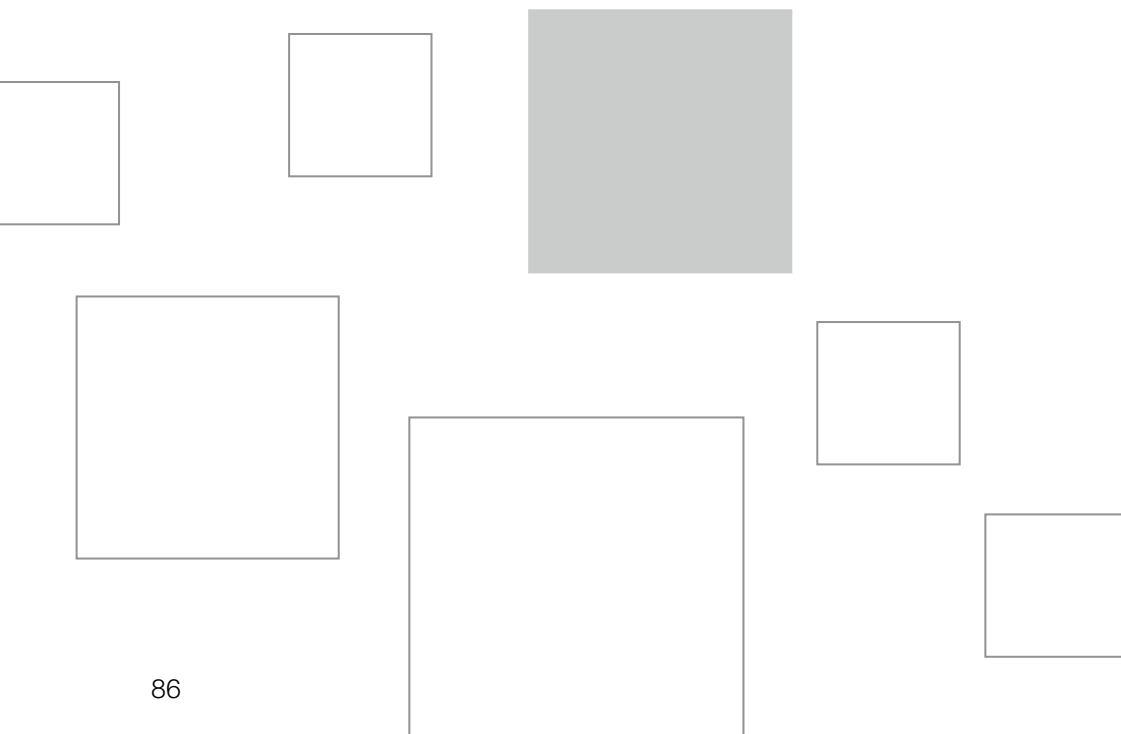
Non-tolerated dimensions are nominal dimensions

- <sup>1)</sup> Check motor shaft fit
- <sup>2)</sup> Min. / Max. permissible motor shaft length  
Longer motor shafts are possible, please contact alpha
- <sup>3)</sup> The dimensions depend on the motor
- <sup>4)</sup> Smaller motor shaft diameter is compensated by a bushing with a minimum wall thickness of 1 mm
- <sup>5)</sup> Standard clamping hub diameter

# alpha Basic Line

## WORM GEARBOXES CVH / CVS

If the focus is on smooth running, smooth synchronization properties, and continuous operation, the V-Drive Basic is the right choice for you.



CVH



CVS



alpha Basic Line in action

# COMPACT AND HIGH-PERFORMANCE WORM GEARBOX

in electronics production

**When developing our customer's new rotary converter series, we had to meet three main objectives: offer the ability to dynamically adapt the conversion rate, minimize the cycle times, and improve the positioning accuracy.**

With the V-Drive Basic by WITTENSTEIN alpha, the decision was made in favor of a high-performance servo worm gearbox which can be perfectly integrated into the system thanks to its compact design form.

This is made possible by a newly developed involute gearing of the worm gear set, which delivers a significant improvement in positioning and repetition accuracy with increased efficiency and very good running characteristics compared to the other converters. This provides a reduction in cycle times and therefore an increase in throughput performance in the application for feeding workpiece carriers or masks into various assembly, production, and inspection processes.





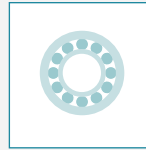
# CVH / CVS – We drive the Performance

CVH



The V-Drive Basic is characterized by a specially developed toothing that minimizes operating noise during S1 operation and offers enormous power. And all with a top price/performance ratio.

## PRODUCT HIGHLIGHTS



### Optimized output bearings

The V-Drive Basic features an optimized output bearing tailored to the most diverse areas of application. For increased requirements for the absorption of external forces, the reinforced bearing option is used.



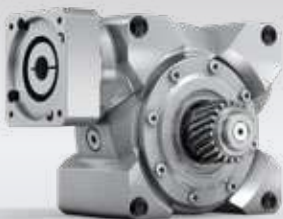
### Specially developed toothing

The operating noise during S1 operation has been minimized by means of a specially developed toothing featuring high torques, good synchronization, and very low operating noise.



### Top price/performance ratio

A top price/performance ratio is achieved with short delivery times and “made in Germany” quality.



CVS – worm gearbox with pinion



CVS – worm gearbox with elastomer coupling

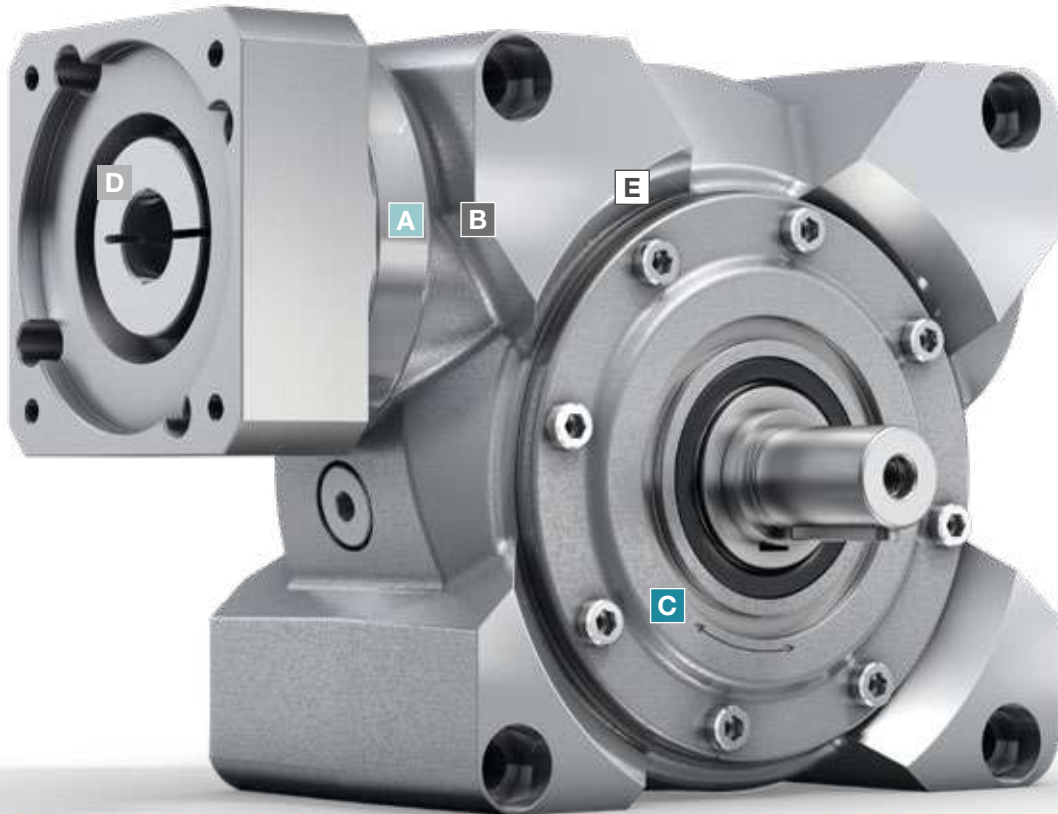


cymex<sup>®</sup> select  
BEST SOLUTION WITHIN SECONDS

Efficient gearbox sizing within seconds –  
online without login  
[cymex-select.wittenstein-group.com](https://www.cymex-select.wittenstein-group.com)



CVS



- A Radial shaft seal**
- Very long service life
  - Optimized for continuous operation

- B Input bearing**
- Bearing package to absorb axial and radial forces
  - Very well suited to high input speeds

- C Output bearing**
- Tailored to the most diverse areas of application

- D Metal bellows coupling**
- Completely backlash free
  - Lifetime durable and maintenance free
  - Easy assembly
  - Protects the motor through thermal linear expansion compensation

- E Toothing**
- Specially developed toothing, for high torques, good synchronization, and low operating noise

# CVH 040 MF 1-stage

			1-stage						
Ratio	$i$		7	10	16	28	40		
Max. torque <sup>a) b)</sup> (at $n_1 = 500$ rpm)	$T_{2a}$	Nm	68	76	78	82	76		
		in.lb	602	673	690	726	673		
Emergency stop torque <sup>a) b)</sup> (permitted 1000 times during the service life of the gearbox)	$T_{2Not}$	Nm	126	125	129	134	122		
		in.lb	1115	1106	1142	1186	1080		
Permitted average input speed <sup>d)</sup> (at 20 °C ambient temperature)	$n_{1N}$	rpm	4000						
Max. input speed	$n_{1Max}$	rpm	6000						
Mean no load running torque <sup>b)</sup> (at $n_1 = 3000$ rpm and 20 °C gearbox temperature)	$T_{012}$	Nm	0.7	0.6	0.5	0.4	0.4		
		in.lb	6.2	5.3	4.4	3.5	3.5		
Max. backlash	$j_t$	arcmin	≤ 15						
Torsional rigidity <sup>b)</sup>	$C_{t21}$	Nm/arcmin	3.5	3.5	3.5	3.5	3.5		
		in.lb/arcmin	31	31	31	31	31		
Max. axial force <sup>c)</sup> (Standard / HIGH FORCES)	$F_{2AMax}$	N	1200 / 3000						
		lb <sub>f</sub>	270 / 675						
Max. lateral force <sup>b)</sup> (Standard / HIGH FORCES)	$F_{2OMax}$	N	1000 / 2400						
		lb <sub>f</sub>	225 / 540						
Max. tilting moment (Standard / HIGH FORCES)	$M_{2KMax}$	Nm	97 / 205						
		in.lb	858 / 1814						
Efficiency at full load (at $n_1 = 500$ rpm)	$\eta$	%	89	87	81	72	66		
Service life	$L_n$	h	> 15000						
Weight (incl. standard adapter plate)	$m$	kg	4.5						
		lb <sub>m</sub>	10						
Operating noise (at reference ratio and reference speed – ratio-specific values available in cymex <sup>®</sup> )	$L_{PA}$	dB(A)	≤ 54						
Max. permitted housing temperature		°C	+90						
		°F	+194						
Ambient temperature		°C	-15 to +40						
		°F	+5 to +104						
Lubrication			Lubricated for life						
Direction of rotation			See drawing						
Protection class			IP 65						
Shrink disc (Standard Version)			SD 024x050 S2						
Max. torque (without axial force)	$T_{max}$	Nm	250						
		in.lb	2213						
Mass moment of inertia (relates to the drive) Clamping hub diameter [mm]	C	14	$J_1$	kgcm <sup>2</sup>	0.42	0.39	0.37	0.36	0.35
				10 <sup>-3</sup> in.lb.s <sup>2</sup>	0.37	0.35	0.33	0.32	0.31
	E	19	$J_1$	kgcm <sup>2</sup>	0.74	0.70	0.68	0.68	0.67
				10 <sup>-3</sup> in.lb.s <sup>2</sup>	0.65	0.62	0.6	0.6	0.59

Please use our sizing software cymex<sup>®</sup> for a detailed sizing – [www.wittenstein-cymex.com](http://www.wittenstein-cymex.com)

<sup>a)</sup> At max. 10 %  $F_{2OMax}$

<sup>b)</sup> Valid for standard clamping hub diameter

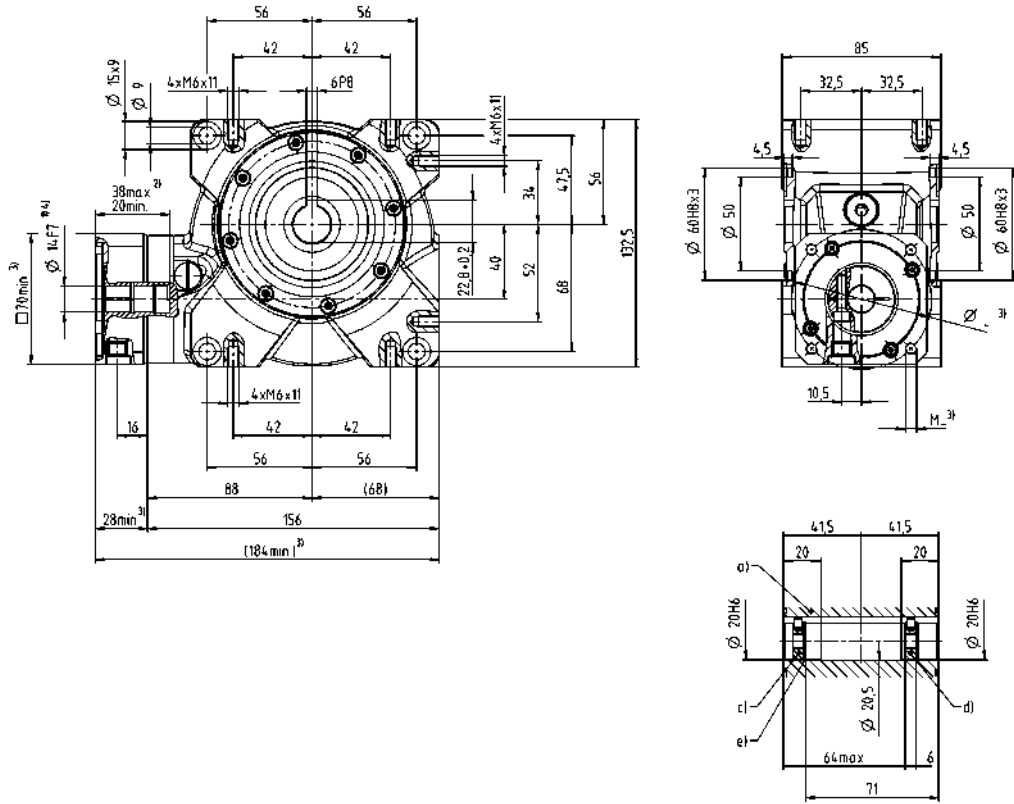
<sup>c)</sup> Refers to center of the output shaft or flange

<sup>d)</sup> Please reduce input speed at higher ambient temperatures

Motor shaft diameter [mm]

1-stage

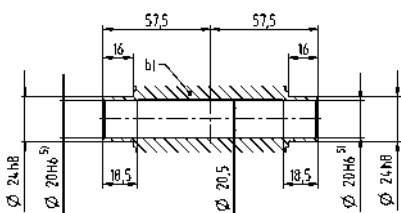
up to 14/19<sup>4)</sup> (C<sup>6)</sup>/E)  
clamping hub diameter



Worm Gearboxes  
Basic Line

Other output variants

Hollow shaft interfaces on both sides



- a) Hollow shaft, keyed on both sides
- b) Hollow shaft interfaces on both sides
- c) End disc for screw M6 (on request)
- d) End disc as forcing washer for screw M8 (on request)
- e) Locking ring – DIN 472 (on request)

See technical data sheet for available clamping hub diameters (mass moment of inertia). Dimensions available on request.

- Non-tolerated dimensions are nominal dimensions
- <sup>1)</sup> Check motor shaft fit
  - <sup>2)</sup> Min./Max. permissible motor shaft length  
Longer motor shafts are adaptable, please contact us
  - <sup>3)</sup> The dimensions depend on the motor
  - <sup>4)</sup> Smaller motor shaft diameter is compensated by a bushing with a minimum wall thickness of 1 mm
  - <sup>5)</sup> Tolerance h6 for mounted shaft
  - <sup>6)</sup> Standard clamping hub diameter

# CVH 050 MF 1-stage

			1-stage						
Ratio	$i$		7	10	16	28	40		
Max. torque <sup>a) b)</sup> (at $n_1 = 500$ rpm)	$T_{2a}$	Nm	125	127	131	140	116		
		in.lb	1106	1124	1159	1239	1027		
Emergency stop torque <sup>a) b)</sup> (permitted 1000 times during the service life of the gearbox)	$T_{2Not}$	Nm	242	242	250	262	236		
		in.lb	2142	2142	2213	2319	2089		
Permitted average input speed <sup>d)</sup> (at 20 °C ambient temperature)	$n_{1N}$	rpm	4000						
Max. input speed	$n_{1Max}$	rpm	6000						
Mean no load running torque <sup>b)</sup> (at $n_1 = 3000$ rpm and 20 °C gearbox temperature)	$T_{012}$	Nm	2.2	1.6	1.5	1.2	1.1		
		in.lb	19.5	14.2	13.3	10.6	9.7		
Max. backlash	$j_t$	arcmin	≤ 15						
Torsional rigidity <sup>b)</sup>	$C_{t21}$	Nm/arcmin	5.5	5.5	5.5	5.5	5.5		
		in.lb/arcmin	49	49	49	49	49		
Max. axial force <sup>c)</sup> (Standard / HIGH FORCES)	$F_{2AMax}$	N	1500 / 5000						
		lb <sub>f</sub>	337.5 / 1125						
Max. lateral force <sup>b)</sup> (Standard / HIGH FORCES)	$F_{2OMax}$	N	1200 / 3800						
		lb <sub>f</sub>	270 / 855						
Max. tilting moment (Standard / HIGH FORCES)	$M_{2KMax}$	Nm	130 / 409						
		in.lb	1150 / 3620						
Efficiency at full load (at $n_1 = 500$ rpm)	$\eta$	%	89	85	80	70	63		
Service life	$L_h$	h	> 15000						
Weight (incl. standard adapter plate)	$m$	kg	8						
		lb <sub>m</sub>	18						
Operating noise (at reference ratio and reference speed – ratio-specific values available in cymex <sup>®</sup> )	$L_{PA}$	dB(A)	≤ 62						
Max. permitted housing temperature		°C	+90						
		°F	+194						
Ambient temperature		°C	-15 to +40						
		°F	+5 to +104						
Lubrication			Lubricated for life						
Direction of rotation			See drawing						
Protection class			IP 65						
Shrink disc (Standard Version)			SD 030x060 S2V						
Max. torque (without axial force)	$T_{max}$	Nm	550						
		in.lb	4868						
Mass moment of inertia (relates to the drive) Clamping hub diameter [mm]	E	19	$J_1$	kgcm <sup>2</sup>	1.2	1.1	1.0	0.97	1.0
				10 <sup>-3</sup> in.lb.s <sup>2</sup>	1.1	0.97	0.89	0.86	0.89
	G	24	$J_1$	kgcm <sup>2</sup>	1.3	1.2	1.1	1.1	1.2
				10 <sup>-3</sup> in.lb.s <sup>2</sup>	1.2	1.1	0.97	0.97	1.1

Please use our sizing software cymex<sup>®</sup> for a detailed sizing – [www.wittenstein-cymex.com](http://www.wittenstein-cymex.com)

<sup>a)</sup> At max. 10 %  $F_{2OMax}$

<sup>b)</sup> Valid for standard clamping hub diameter

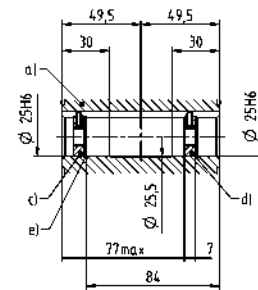
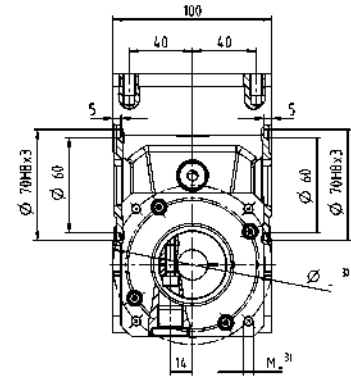
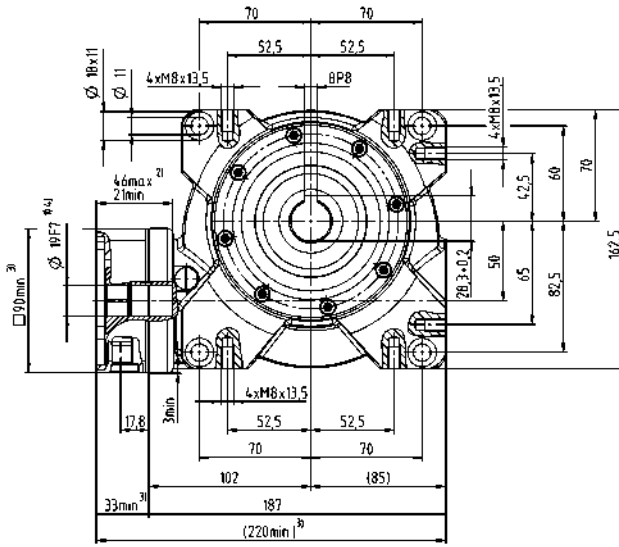
<sup>c)</sup> Refers to center of the output shaft or flange

<sup>d)</sup> Please reduce input speed at higher ambient temperatures

Motor shaft diameter [mm]

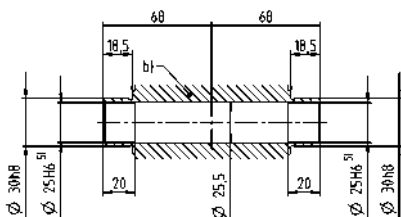
# 1-stage

up to 19/24<sup>4)</sup> (E<sup>6)</sup>/G)  
clamping hub diameter



## Other output variants

Hollow shaft interfaces on both sides



- a) Hollow shaft, keyed on both sides
- b) Hollow shaft interfaces on both sides
- c) End disc for screw M10 (on request)
- d) End disc as forcing washer for screw M12 (on request)
- e) Locking ring – DIN 472 (on request)

See technical data sheet for available clamping hub diameters (mass moment of inertia). Dimensions available on request.

Non-tolerated dimensions are nominal dimensions

- <sup>1)</sup> Check motor shaft fit
- <sup>2)</sup> Min./Max. permissible motor shaft length  
Longer motor shafts are adaptable, please contact us
- <sup>3)</sup> The dimensions depend on the motor
- <sup>4)</sup> Smaller motor shaft diameter is compensated by a bushing with a minimum wall thickness of 1 mm
- <sup>5)</sup> Tolerance h6 for mounted shaft
- <sup>6)</sup> Standard clamping hub diameter

# CVH 063 MF 1-stage

			1-stage					
Ratio	<i>i</i>		7	10	16	28	40	
Max. torque <sup>a) b)</sup> (at $n_1 = 500$ rpm)	$T_{2a}$	Nm	265	270	280	301	282	
		in.lb	2345	2390	2478	2664	2496	
Emergency stop torque <sup>a) b)</sup> (permitted 1000 times during the service life of the gearbox)	$T_{2Not}$	Nm	484	491	494	518	447	
		in.lb	4283	4345	4372	4584	3956	
Permitted average input speed <sup>d)</sup> (at 20 °C ambient temperature)	$n_{1N}$	rpm	4000					
Max. input speed	$n_{1Max}$	rpm	4500					
Mean no load running torque <sup>b)</sup> (at $n_1 = 3000$ rpm and 20 °C gearbox temperature)	$T_{012}$	Nm	3.1	3	2.4	2.3	2.2	
		in.lb	27.4	26.6	21.2	20.4	19.5	
Max. backlash	$j_t$	arcmin	≤ 15					
Torsional rigidity <sup>b)</sup>	$C_{t21}$	Nm/arcmin	23	23	23	23	23	
		in.lb/arcmin	204	204	204	204	204	
Max. axial force <sup>c)</sup> (Standard / HIGH FORCES)	$F_{2AMax}$	N	2000 / 8250					
		lb <sub>f</sub>	450 / 1856					
Max. lateral force <sup>b)</sup> (Standard / HIGH FORCES)	$F_{2OMax}$	N	2000 / 6000					
		lb <sub>f</sub>	450 / 1350					
Max. tilting moment (Standard / HIGH FORCES)	$M_{2KMax}$	Nm	281 / 843					
		in.lb	2487 / 7461					
Efficiency at full load (at $n_1 = 500$ rpm)	$\eta$	%	90	87	82	73	67	
Service life	$L_h$	h	> 15000					
Weight (incl. standard adapter plate)	$m$	kg	13					
		lb <sub>m</sub>	29					
Operating noise (at reference ratio and reference speed – ratio-specific values available in cymex <sup>®</sup> )	$L_{PA}$	dB(A)	≤ 64					
Max. permitted housing temperature		°C	+90					
		°F	+194					
Ambient temperature		°C	-15 to +40					
		°F	+5 to +104					
Lubrication			Lubricated for life					
Direction of rotation			See drawing					
Protection class			IP 65					
Shrink disc (Standard Version)			SD 036x072 S2V					
Max. torque (without axial force)	$T_{max}$	Nm	640					
		in.lb	5664					
Mass moment of inertia (relates to the drive) Clamping hub diameter [mm]	H 28	$J_1$	kgcm <sup>2</sup>	4.0	3.8	3.7	3.6	3.6
			10 <sup>-3</sup> in.lb.s <sup>2</sup>	3.5	3.4	3.3	3.2	3.2

Please use our sizing software cymex<sup>®</sup> for a detailed sizing – [www.wittenstein-cymex.com](http://www.wittenstein-cymex.com)

<sup>a)</sup> At max. 10 %  $F_{2OMax}$

<sup>b)</sup> Valid for standard clamping hub diameter

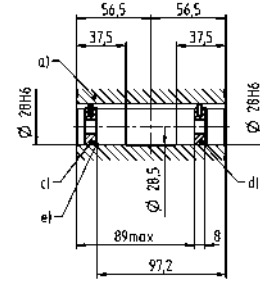
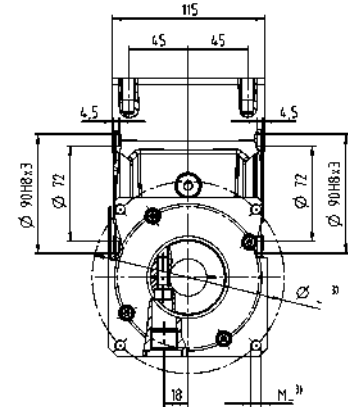
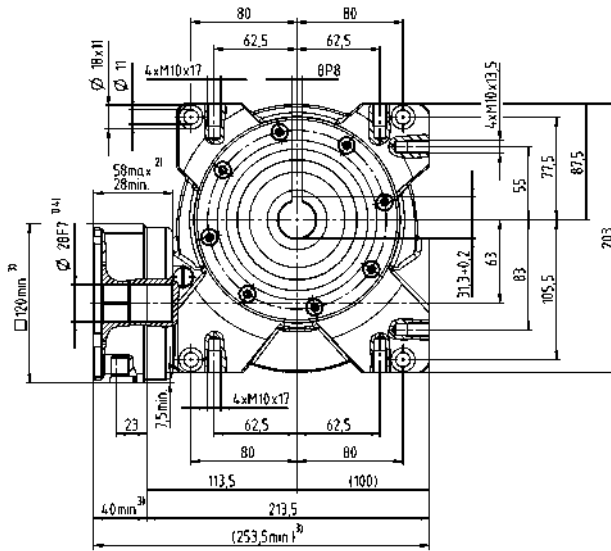
<sup>c)</sup> Refers to center of the output shaft or flange

<sup>d)</sup> Please reduce input speed at higher ambient temperatures

Motor shaft diameter [mm]

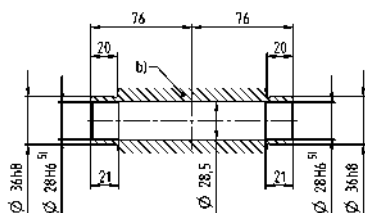
# 1-stage

up to 28<sup>4)</sup> (H)<sup>6)</sup>  
clamping hub diameter



## Other output variants

Hollow shaft interfaces on both sides



- a) Hollow shaft, keyed on both sides
- b) Hollow shaft interfaces on both sides
- c) End disc for screw M10 (on request)
- d) End disc as forcing washer for screw M12 (on request)
- e) Locking ring – DIN 472 (on request)

See technical data sheet for available clamping hub diameters (mass moment of inertia). Dimensions available on request.

Non-tolerated dimensions are nominal dimensions

- <sup>1)</sup> Check motor shaft fit
- <sup>2)</sup> Min./Max. permissible motor shaft length  
Longer motor shafts are adaptable, please contact us
- <sup>3)</sup> The dimensions depend on the motor
- <sup>4)</sup> Smaller motor shaft diameter is compensated by a bushing with a minimum wall thickness of 1 mm
- <sup>5)</sup> Tolerance h6 for mounted shaft
- <sup>6)</sup> Standard clamping hub diameter

# CVS 040 MF 1-stage

			1-stage						
Ratio	$i$		7	10	16	28	40		
Max. torque <sup>a) b) e)</sup> (at $n_1 = 500$ rpm)	$T_{2a}$	Nm	68	76	78	82	76		
		in.lb	602	673	690	726	673		
Emergency stop torque <sup>a) b) e)</sup> (permitted 1000 times during the service life of the gearbox)	$T_{2Not}$	Nm	126	125	129	134	122		
		in.lb	1115	1106	1142	1186	1080		
Permitted average input speed <sup>d)</sup> (at 20 °C ambient temperature)	$n_{1N}$	rpm	4000						
Max. input speed	$n_{1Max}$	rpm	6000						
Mean no load running torque <sup>b)</sup> (at $n_1 = 3000$ rpm and 20 °C gearbox temperature)	$T_{012}$	Nm	0.7	0.6	0.5	0.4	0.4		
		in.lb	6.2	5.3	4.4	3.5	3.5		
Max. backlash	$j_t$	arcmin	≤ 15						
Torsional rigidity <sup>b)</sup>	$C_{t21}$	Nm/arcmin	3.5	3.5	3.5	3.5	3.5		
		in.lb/arcmin	31	31	31	31	31		
Max. axial force <sup>c)</sup> (Standard / HIGH FORCES)	$F_{2AMax}$	N	1200 / 3000						
		lb <sub>f</sub>	270 / 675						
Max. lateral force <sup>b)</sup> (Standard / HIGH FORCES)	$F_{2OMax}$	N	1000 / 2400						
		lb <sub>f</sub>	225 / 540						
Max. tilting moment (Standard / HIGH FORCES)	$M_{2KMax}$	Nm	97 / 205						
		in.lb	858 / 1814						
Efficiency at full load (at $n_1 = 500$ rpm)	$\eta$	%	89	87	81	72	66		
Service life	$L_n$	h	> 15000						
Weight (incl. standard adapter plate)	$m$	kg	4.5						
		lb <sub>m</sub>	10						
Operating noise (at reference ratio and reference speed – ratio-specific values available in cymex <sup>®</sup> )	$L_{PA}$	dB(A)	≤ 54						
Max. permitted housing temperature		°C	+90						
		°F	+194						
Ambient temperature		°C	-15 to +40						
		°F	+5 to +104						
Lubrication			Lubricated for life						
Direction of rotation			See drawing						
Protection class			IP 65						
Elastomer coupling (recommended product type – validate sizing with cymex <sup>®</sup> )			ELC - 00060B - 016.000 - X						
Bore diameter of coupling on the application side		mm	X = 016.000 - 032.000						
Mass moment of inertia (relates to the drive) Clamping hub diameter [mm]	C	14	$J_1$	kgcm <sup>2</sup>	0.42	0.39	0.37	0.36	0.35
				10 <sup>-3</sup> in.lb.s <sup>2</sup>	0.37	0.35	0.33	0.32	0.31
	E	19	$J_1$	kgcm <sup>2</sup>	0.74	0.70	0.68	0.68	0.67
				10 <sup>-3</sup> in.lb.s <sup>2</sup>	0.65	0.62	0.60	0.6	0.59

Please use our sizing software cymex<sup>®</sup> for a detailed sizing – [www.wittenstein-cymex.com](http://www.wittenstein-cymex.com)

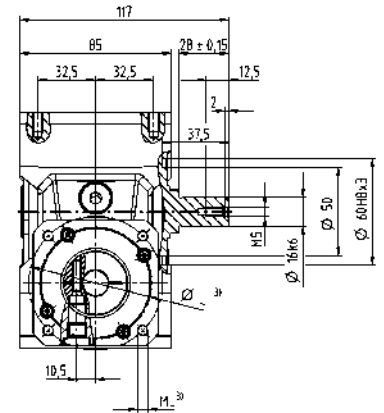
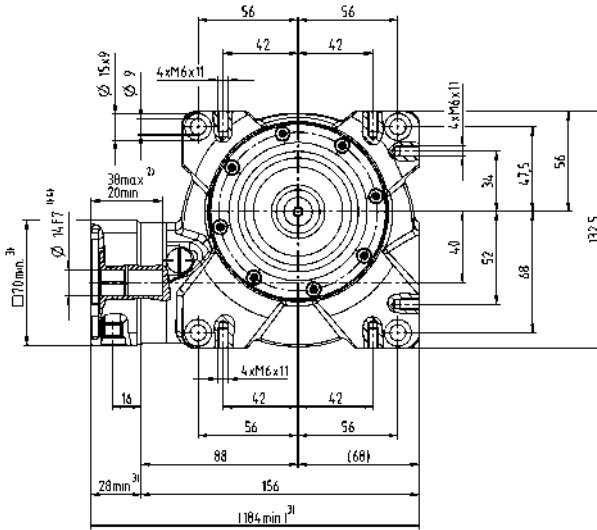
- <sup>a)</sup> At max. 10 %  $F_{2OMax}$
- <sup>b)</sup> Valid for standard clamping hub diameter
- <sup>c)</sup> Refers to center of the output shaft or flange
- <sup>d)</sup> Please reduce input speed at higher ambient temperatures
- <sup>e)</sup> Valid for: Smooth shaft



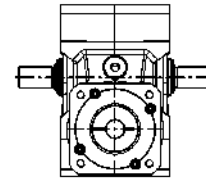
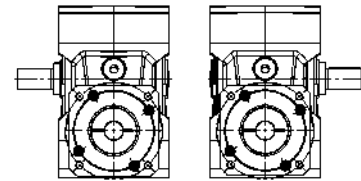
Motor shaft diameter [mm]

# 1-stage

up to 14/19<sup>4)</sup> (C<sup>6)</sup>/E)  
clamping hub diameter



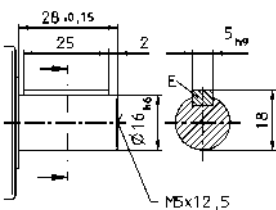
A<sup>51)</sup> B<sup>52)</sup>



Optional dual-shaft output. Drawings available on request.  
Involute gearing is not possible.

## Other output variants

Shaft with key



See technical data sheet for available clamping hub diameters (mass moment of inertia). Dimensions available on request.

- Non-tolerated dimensions are nominal dimensions
- <sup>1)</sup> Check motor shaft fit
- <sup>2)</sup> Min./Max. permissible motor shaft length  
Longer motor shafts are adaptable, please contact us
- <sup>3)</sup> The dimensions depend on the motor
- <sup>4)</sup> Smaller motor shaft diameter is compensated by a bushing with a minimum wall thickness of 1 mm
- <sup>5)</sup> Output side
- <sup>6)</sup> Standard clamping hub diameter

# CVS 050 MF 1-stage

			1-stage						
Ratio	$i$		7	10	16	28	40		
Max. torque <sup>a) b) e)</sup> (at $n_1 = 500$ rpm)	$T_{2a}$	Nm	125	127	131	140	116		
		in.lb	1106	1124	1159	1239	1027		
Emergency stop torque <sup>a) b) e)</sup> (permitted 1000 times during the service life of the gearbox)	$T_{2Not}$	Nm	242	242	250	262	236		
		in.lb	2142	2142	2213	2319	2089		
Permitted average input speed <sup>d)</sup> (at 20 °C ambient temperature)	$n_{1N}$	rpm	4000						
Max. input speed	$n_{1Max}$	rpm	6000						
Mean no load running torque <sup>b)</sup> (at $n_1 = 3000$ rpm and 20 °C gearbox temperature)	$T_{012}$	Nm	2.2	1.6	1.5	1.2	1.1		
		in.lb	19.5	14.2	13.3	10.6	9.7		
Max. backlash	$j_t$	arcmin	≤ 15						
Torsional rigidity <sup>b)</sup>	$C_{t21}$	Nm/arcmin	5.5	5.5	5.5	5.5	5.5		
		in.lb/arcmin	49	49	49	49	49		
Max. axial force <sup>c)</sup> (Standard / HIGH FORCES)	$F_{2AMax}$	N	1500 / 5000						
		lb <sub>f</sub>	337.5 / 1125						
Max. lateral force <sup>b)</sup> (Standard / HIGH FORCES)	$F_{2OMax}$	N	1200 / 3800						
		lb <sub>f</sub>	270 / 855						
Max. tilting moment (Standard / HIGH FORCES)	$M_{2KMax}$	Nm	130 / 409						
		in.lb	1150 / 3620						
Efficiency at full load (at $n_1 = 500$ rpm)	$\eta$	%	89	85	80	70	63		
Service life	$L_n$	h	> 15000						
Weight (incl. standard adapter plate)	$m$	kg	8						
		lb <sub>m</sub>	18						
Operating noise (at reference ratio and reference speed – ratio-specific values available in cymex <sup>®</sup> )	$L_{PA}$	dB(A)	≤ 62						
Max. permitted housing temperature		°C	+90						
		°F	+194						
Ambient temperature		°C	-15 to +40						
		°F	+5 to +104						
Lubrication			Lubricated for life						
Direction of rotation			See drawing						
Protection class			IP 65						
Elastomer coupling (recommended product type – validate sizing with cymex <sup>®</sup> )			ELC - 00150B - 022.000 - X						
Bore diameter of coupling on the application side		mm	X = 022.000 - 036.000						
Mass moment of inertia (relates to the drive) Clamping hub diameter [mm]	E	19	$J_1$	kgcm <sup>2</sup>	1.2	1.1	1.0	0.97	1.0
				10 <sup>-3</sup> in.lb.s <sup>2</sup>	1.1	0.97	0.89	0.86	0.89
	G	24	$J_1$	kgcm <sup>2</sup>	1.3	1.2	1.1	1.1	1.2
				10 <sup>-3</sup> in.lb.s <sup>2</sup>	1.2	1.1	0.97	0.97	1.1

Please use our sizing software cymex<sup>®</sup> for a detailed sizing – [www.wittenstein-cymex.com](http://www.wittenstein-cymex.com)

<sup>a)</sup> At max. 10 %  $F_{2OMax}$

<sup>b)</sup> Valid for standard clamping hub diameter

<sup>c)</sup> Refers to center of the output shaft or flange

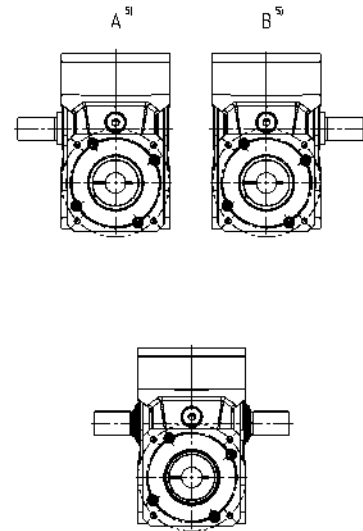
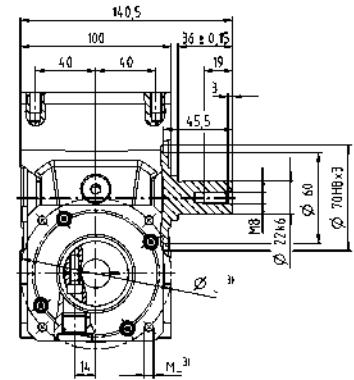
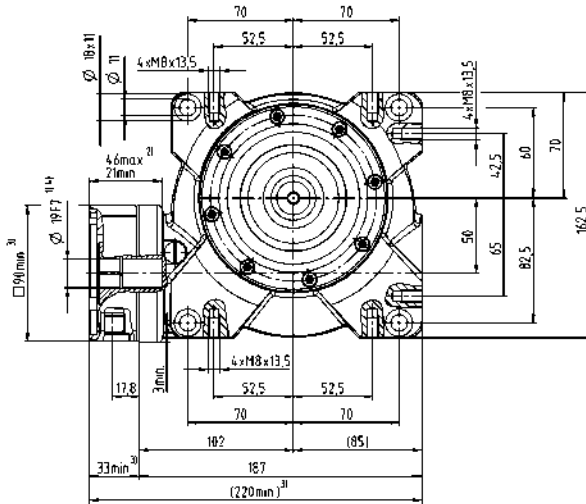
<sup>d)</sup> Please reduce input speed at higher ambient temperatures

<sup>e)</sup> Valid for: Smooth shaft

Motor shaft diameter [mm]

# 1-stage

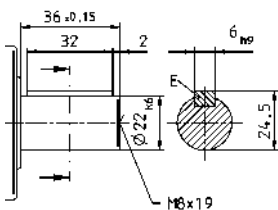
up to 19/24<sup>4)</sup> (E<sup>6)</sup>/G)  
clamping hub diameter



Optional dual-shaft output. Drawings available on request.  
Involute gearing is not possible.

## Other output variants

Shaft with key



See technical data sheet for available clamping hub diameters (mass moment of inertia). Dimensions available on request.

- Non-tolerated dimensions are nominal dimensions
- <sup>1)</sup> Check motor shaft fit
- <sup>2)</sup> Min./Max. permissible motor shaft length  
Longer motor shafts are adaptable, please contact us
- <sup>3)</sup> The dimensions depend on the motor
- <sup>4)</sup> Smaller motor shaft diameter is compensated by a bushing with a minimum wall thickness of 1 mm
- <sup>5)</sup> Output side
- <sup>6)</sup> Standard clamping hub diameter

# CVS 063 MF 1-stage

			1-stage					
Ratio	$i$		7	10	16	28	40	
Max. torque <sup>a) b) e)</sup> (at $n_1 = 500$ rpm)	$T_{2a}$	Nm	265	270	280	301	282	
		in.lb	2345	2390	2478	2664	2496	
Emergency stop torque <sup>a) b) e)</sup> (permitted 1000 times during the service life of the gearbox)	$T_{2Not}$	Nm	484	491	494	518	447	
		in.lb	4283	4345	4372	4584	3956	
Permitted average input speed <sup>d)</sup> (at 20 °C ambient temperature)	$n_{1N}$	rpm	4000					
Max. input speed	$n_{1Max}$	rpm	4500					
Mean no load running torque <sup>b)</sup> (at $n_1 = 3000$ rpm and 20 °C gearbox temperature)	$T_{012}$	Nm	3.1	3	2.4	2.3	2.2	
		in.lb	27.4	26.6	21.2	20.4	19.5	
Max. backlash	$j_t$	arcmin	≤ 15					
Torsional rigidity <sup>b)</sup>	$C_{t21}$	Nm/arcmin	23	23	23	23	23	
		in.lb/arcmin	204	204	204	204	204	
Max. axial force <sup>c)</sup> (Standard / HIGH FORCES)	$F_{2AMax}$	N	2000 / 8250					
		lb <sub>f</sub>	450 / 1856					
Max. lateral force <sup>b)</sup> (Standard / HIGH FORCES)	$F_{2OMax}$	N	2000 / 6000					
		lb <sub>f</sub>	450 / 1350					
Max. tilting moment (Standard / HIGH FORCES)	$M_{2KMax}$	Nm	281 / 843					
		in.lb	2487 / 7461					
Efficiency at full load (at $n_1 = 500$ rpm)	$\eta$	%	90	87	82	73	67	
Service life	$L_n$	h	> 15000					
Weight (incl. standard adapter plate)	$m$	kg	13					
		lb <sub>m</sub>	29					
Operating noise (at reference ratio and reference speed – ratio-specific values available in cymex <sup>®</sup> )	$L_{PA}$	dB(A)	≤ 64					
Max. permitted housing temperature		°C	+90					
		°F	+194					
Ambient temperature		°C	-15 to +40					
		°F	+5 to +104					
Lubrication			Lubricated for life					
Direction of rotation			See drawing					
Protection class			IP 65					
Elastomer coupling (recommended product type – validate sizing with cymex <sup>®</sup> )			ELC - 00150B - 032.000 - X					
Bore diameter of coupling on the application side		mm	X = 032.000 - 036.000					
Mass moment of inertia (relates to the drive) Clamping hub diameter [mm]	H 28	$J_1$	kgcm <sup>2</sup>	4.0	3.8	3.7	3.6	3.6
			10 <sup>-3</sup> in.lb.s <sup>2</sup>	3.5	3.4	3.3	3.2	3.2

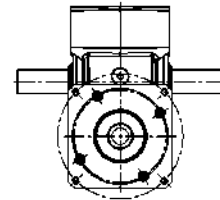
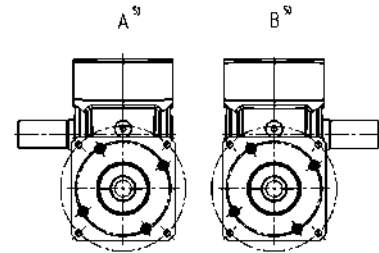
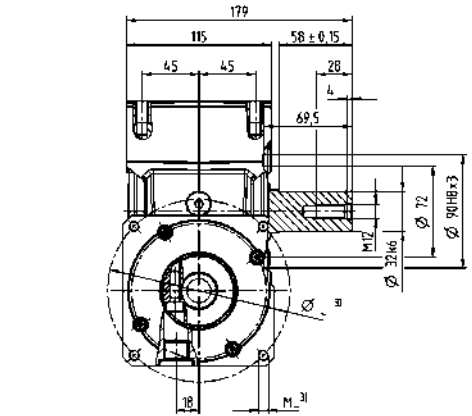
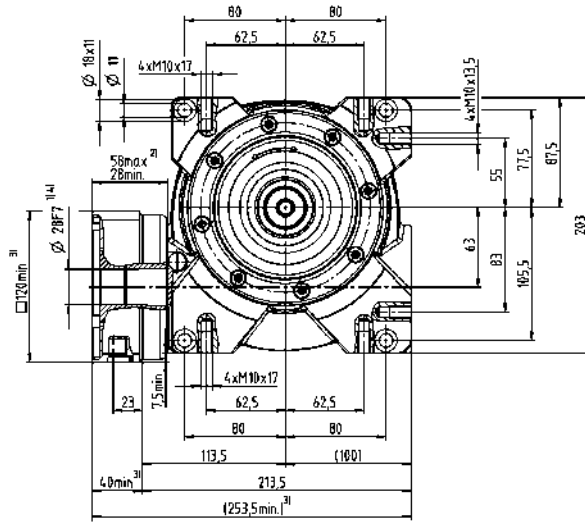
Please use our sizing software cymex<sup>®</sup> for a detailed sizing – [www.wittenstein-cymex.com](http://www.wittenstein-cymex.com)

- <sup>a)</sup> At max. 10 %  $F_{2OMax}$
- <sup>b)</sup> Valid for standard clamping hub diameter
- <sup>c)</sup> Refers to center of the output shaft or flange
- <sup>d)</sup> Please reduce input speed at higher ambient temperatures
- <sup>e)</sup> Valid for: Smooth shaft

Motor shaft diameter [mm]

1-stage

up to 28<sup>4)</sup> (H)<sup>6)</sup>  
clamping hub diameter



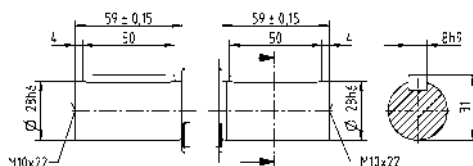
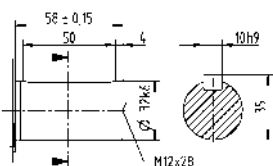
Worm Gearboxes  
Basic Line

Optional dual-shaft output. Drawings available on request.  
Involute gearing is not possible.

Other output variants

Shaft with key

Shaft with parallel key on both sides



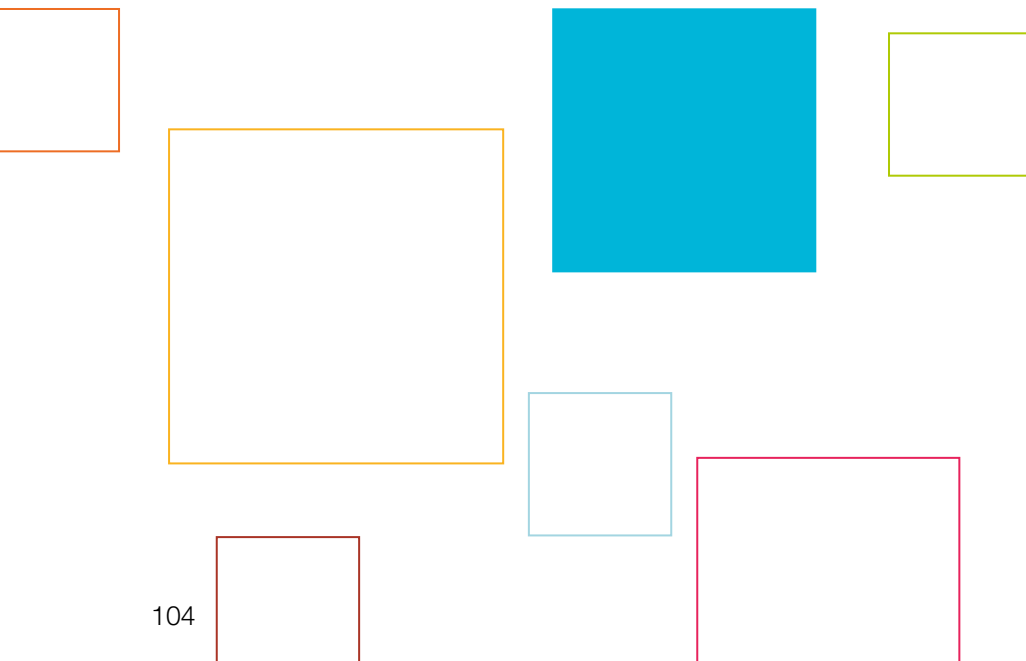
See technical data sheet for available clamping hub diameters (mass moment of inertia). Dimensions available on request.

- Non-tolerated dimensions are nominal dimensions
- <sup>1)</sup> Check motor shaft fit
- <sup>2)</sup> Min./Max. permissible motor shaft length  
Longer motor shafts are adaptable, please contact us
- <sup>3)</sup> The dimensions depend on the motor
- <sup>4)</sup> Smaller motor shaft diameter is compensated by a bushing with a minimum wall thickness of 1 mm
- <sup>5)</sup> Output side
- <sup>6)</sup> Standard clamping hub diameter

# alpha Value Line

## PLANETARY GEARBOXES NP / NPL / NPS / NPT / NPR / NTP

The strength of the planetary gearboxes of the alpha Value Line lies in the combination of economy and variety of output variants. Additionally, the gearboxes are suitable for very diverse applications – thanks to the range of ratios and the optimal positioning accuracy.



NPT



NP



NPL



NPS



NPR



NTP



alpha Value Line in action

## INDIVIDUAL TALENTS – for trend-setting research

**The planetary gearboxes of the alpha Value Line are suitable for universal application and offer the best economical solution for almost every requirement – on each axis and for all industries.**

But the NP servo gearbox is also used outside the typical industrial environment: For research purposes, the planetary gearboxes are used in installations for the simulation of tides or tsunamis as well as for coastline and port basin optimization. With the wave simulators, shipyards or research centers can simulate and investigate the behavior of ships at sea or in a port, in ordinary but also in extreme situations.

The low-backlash NP planetary gearboxes of the alpha Value Line drive axes optimally in installations of multi-servo axes in wave tanks worldwide – for example in Great Britain, the USA, China and Italy.

Each wave simulator has a certain number of paddles for generating very special wave types and frequencies. Depending on the size of the simulator and the type of wave to be simulated – deep and shallow water, sea, current and storm conditions or river mouths – a belt drive, ball screw or rack and pinion drive are used. The size of the individual paddles can vary from a few centimeters to several meters.

Technical support, quality and flexibility were the decisive factors for the decision to cooperate with WITTENSTEIN in the simulation system. The NP gearboxes of the alpha Value Line offer the customer the ideal mix of precision, dynamic performance and price.







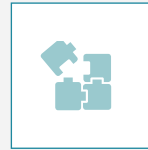
# NP / NPL / NPS / NPT / NPR / NTP

## – Individual Talents



The planetary gearboxes of the alpha Value Line are suitable for universal application and offer the best, most economical solution for virtually all requirements – on each axis and for all industries. The various drives and output Interfaces are offered as a compatible extension to the existing portfolio of WITTENSTEIN alpha – for maximum flexibility in design, assembly, and use.

### PRODUCT HIGHLIGHTS



#### Unique modularity in this segment

With five series including five different output interfaces, the NP series offers maximum flexibility. From a simple machine connection using a B5 or B14 output flange to a flange connection or adjustment via slotted holes – the suitable solution for your machine requirements.



#### High economy

The gearboxes of the alpha Value Line are very economical to purchase, unbeatably efficient in operation, and maintenance free over their entire service life.



#### High flexibility

Modular configuration of the interfaces to the motor and to the application. The gearboxes are available with different clamping hub diameters, drive stages, design and mounting options.



#### Highest power density

The HIGH TORQUE version provides gearboxes with the highest power density.



#### Fast sizing

Efficient and innovative online sizing within seconds in cymex® select based on technical and economic suitability.



NPS – planetary gearbox with SP\* output geometry



NPL – planetary gearbox with reinforced bearings and B14 output geometry



NTP – planetary gearbox with TP\* output geometry



More information about the alpha Value Line: simply scan the QR code using your smartphone.

[alpha.wittenstein.de/en-en/alpha-value-line](http://alpha.wittenstein.de/en-en/alpha-value-line)



**A Two-piece clamping hub system of the high-end segment**

- Labeled with the tightening torques for secure, fast motor mounting
- Guarantees best synchronization properties

**B Various output shapes**

- Five variants of the NP series available: including with B5 flange mounting, output flange, etc.
- Higher external forces possible with NPL, NPS, and NPR

**C High ratio variation**

- Large number of ratios ( $i=3$  to  $i=100$ )
- Available in the common binary ratios

**D Differentiated power density**

- The HIGH TORQUE version permits an even higher torque density for sizes 015 – 035



**cymex® select**  
BEST SOLUTION WITHIN SECONDS

# NP 005 MF 1-stage

			1-stage						
Ratio	i		4	5	7	8	10		
Max. torque <sup>a) b) e)</sup>	$T_{2a}$	Nm	18	22	22	21	21		
		in.lb	159	195	195	186	186		
Max. acceleration torque <sup>e)</sup> (max. 1000 cycles per hour)	$T_{2B}$	Nm	11	14	14	13	13		
		in.lb	97	124	124	115	115		
Emergency stop torque <sup>a) b) e)</sup> (permitted 1000 times during the service life of the gearbox)	$T_{2Not}$	Nm	26	26	26	26	26		
		in.lb	230	230	230	230	230		
Permitted average input speed <sup>d)</sup> (at $T_{2a}$ and 20 °C ambient temperature)	$n_{1N}$	rpm	3800	4000	4300	4400	4600		
Max. input speed	$n_{1Max}$	rpm	10000	10000	10000	10000	10000		
Mean no load running torque <sup>b)</sup> (at $n_1=3000$ rpm and 20 °C gearbox temperature)	$T_{012}$	Nm	0.1	0.09	0.08	0.08	0.08		
		in.lb	0.89	0.8	0.71	0.71	0.71		
Max. backlash	$j_1$	arcmin	≤ 10						
Torsional rigidity <sup>b)</sup>	$C_{121}$	Nm/arcmin	1.2	1.2	1.2	0.85	0.85		
		in.lb/arcmin	11	11	11	7.5	7.5		
Max. axial force <sup>c)</sup>	$F_{2AMax}$	N	700						
		lb <sub>f</sub>	158						
Max. lateral force <sup>c)</sup>	$F_{2QMMax}$	N	800						
		lb <sub>f</sub>	180						
Max. tilting moment	$M_{2KMMax}$	Nm	23						
		in.lb	204						
Efficiency at full load	$\eta$	%	97						
Service life	$L_n$	h	> 20000						
Weight (incl. standard adapter plate)	m	kg	0.7						
		lb <sub>m</sub>	1.5						
Operating noise (at reference ratio and reference speed – ratio-specific values available in cymex®)	$L_{PA}$	dB(A)	≤ 58						
		°C	+90						
Max. permitted housing temperature		°F	+194						
		°C	-15 to +40						
Ambient temperature		°F	+5 to +104						
Lubrication			Lubricated for life						
Direction of rotation			In- and output same direction						
Protection class			IP 64						
Elastomer coupling (recommended product type – validate sizing with cymex®)			ELC-0005BA012.000-X						
Bore diameter of coupling on the application side		mm	X = 004.000 - 012.700						
Mass moment of inertia (relates to the drive) Clamping hub diameter [mm]	Z	8	$J_1$	kgcm <sup>2</sup>	0.03	0.03	0.03	0.02	0.02
				10 <sup>-3</sup> in.lb.s <sup>2</sup>	0.03	0.03	0.03	0.02	0.02
	A	9	$J_1$	kgcm <sup>2</sup>	0.03	0.03	0.03	0.03	0.02
				10 <sup>-3</sup> in.lb.s <sup>2</sup>	0.03	0.03	0.03	0.03	0.02
	B	11	$J_1$	kgcm <sup>2</sup>	0.05	0.05	0.04	0.04	0.04
				10 <sup>-3</sup> in.lb.s <sup>2</sup>	0.04	0.04	0.04	0.04	0.04
C	14	$J_1$	kgcm <sup>2</sup>	0.14	0.13	0.13	0.13	0.13	
			10 <sup>-3</sup> in.lb.s <sup>2</sup>	0.12	0.12	0.12	0.12	0.12	

Please use our sizing software cymex® for a detailed sizing – [www.wittenstein-cymex.com](http://www.wittenstein-cymex.com)

<sup>a)</sup> Valid for torque transmission only

<sup>b)</sup> Valid for standard clamping hub diameter

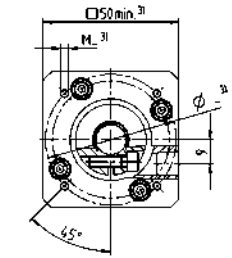
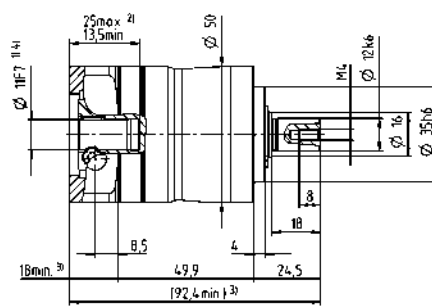
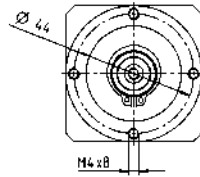
<sup>c)</sup> Refers to center of the output shaft or flange

<sup>d)</sup> Please reduce input speed at higher ambient temperatures

<sup>e)</sup> Valid for: Smooth shaft

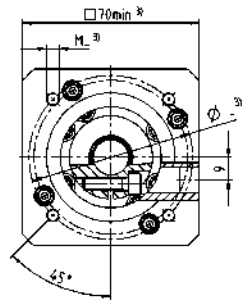
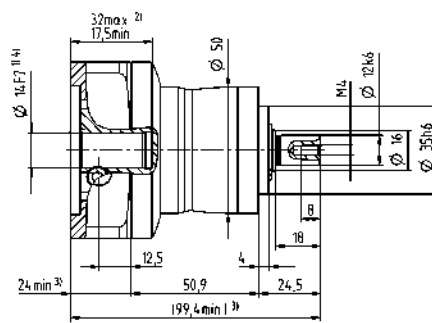
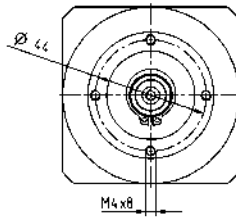
# 1-stage

up to 11<sup>4)</sup> (B)<sup>5)</sup>  
clamping hub diameter



Motor shaft diameter [mm]

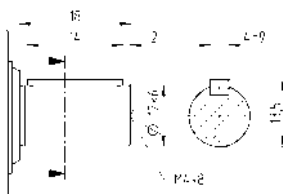
up to 14<sup>4)</sup> (C)  
clamping hub diameter



Planetary Gearboxes  
Value Line

## Other output variants

Shaft with key



Non-tolerated dimensions are nominal dimensions

<sup>1)</sup> Check motor shaft fit

<sup>2)</sup> Min. / Max. permissible motor shaft length

Longer motor shafts are possible, please contact alpha

<sup>3)</sup> The dimensions depend on the motor

<sup>4)</sup> Smaller motor shaft diameter is compensated

by a bushing with a minimum wall thickness of 1 mm

<sup>5)</sup> Standard clamping hub diameter

# NP 005 MF 2-stage

			2-stage										
Ratio	i		16	20	25	28	35	40	50	64	70	100	
Max. torque <sup>a) b) e)</sup>	$T_{2a}$	Nm	18	18	22	18	22	18	22	21	22	21	
		in.lb	159	159	195	159	195	159	195	186	195	186	
Max. acceleration torque <sup>e)</sup> (max. 1000 cycles per hour)	$T_{2B}$	Nm	11	11	14	11	14	11	14	13	14	13	
		in.lb	97	97	124	97	124	97	124	115	124	115	
Emergency stop torque <sup>a) b) e)</sup> (permitted 1000 times during the service life of the gearbox)	$T_{2Not}$	Nm	26	26	26	26	26	26	26	26	26	26	
		in.lb	230	230	230	230	230	230	230	230	230	230	
Permitted average input speed <sup>d)</sup> (at $T_{2N}$ and 20 °C ambient temperature)	$n_{1N}$	rpm	4000	4000	4000	4300	4300	4600	4600	4400	4600	4600	
Max. input speed	$n_{1Max}$	rpm	10000	10000	10000	10000	10000	10000	10000	10000	10000	10000	
Mean no load running torque <sup>b)</sup> (at $n_1=3000$ rpm and 20 °C gearbox temperature)	$T_{012}$	Nm	0.11	0.1	0.1	0.09	0.09	0.08	0.08	0.08	0.08	0.08	
		in.lb	0.97	0.89	0.89	0.8	0.8	0.71	0.71	0.71	0.71	0.71	
Max. backlash	$j_l$	arcmin	≤ 13										
Torsional rigidity <sup>b)</sup>	$C_{121}$	Nm/arcmin	1.2	1.2	1.2	1.2	1.2	1.2	1.2	0.85	1.2	0.85	
		in.lb/arcmin	11	11	11	11	11	11	11	7.5	11	7.5	
Max. axial force <sup>c)</sup>	$F_{2AMax}$	N	700										
		lb <sub>f</sub>	158										
Max. lateral force <sup>c)</sup>	$F_{2QMMax}$	N	800										
		lb <sub>f</sub>	180										
Max. tilting moment	$M_{2KMMax}$	Nm	23										
		in.lb	204										
Efficiency at full load	$\eta$	%	95										
Service life	$L_n$	h	> 20000										
Weight (incl. standard adapter plate)	m	kg	0.9										
		lb <sub>m</sub>	2										
Operating noise (at reference ratio and reference speed – ratio-specific values available in cymex®)	$L_{PA}$	dB(A)	≤ 58										
Max. permitted housing temperature		°C	+90										
		°F	+194										
Ambient temperature		°C	-15 to +40										
		°F	+5 to +104										
Lubrication			Lubricated for life										
Direction of rotation			In- and output same direction										
Protection class			IP 64										
Elastomer coupling (recommended product type – validate sizing with cymex®)			ELC-0005BA012.000-X										
Bore diameter of coupling on the application side		mm	X = 004.000 - 012.700										
Mass moment of inertia (relates to the drive) Clamping hub diameter [mm]	Z	8	$J_1$	kgcm <sup>2</sup>	0.03	0.03	0.03	0.03	0.03	0.02	0.02	0.02	0.02
				10 <sup>-3</sup> in.lb.s <sup>2</sup>	0.03	0.03	0.03	0.03	0.03	0.02	0.02	0.02	0.02
	A	9	$J_1$	kgcm <sup>2</sup>	0.03	0.03	0.02	0.03	0.03	0.02	0.02	0.02	0.02
				10 <sup>-3</sup> in.lb.s <sup>2</sup>	0.03	0.03	0.02	0.03	0.03	0.02	0.02	0.02	0.02
	B	11	$J_1$	kgcm <sup>2</sup>	0.05	0.05	0.04	0.05	0.04	0.04	0.04	0.04	0.04
				10 <sup>-3</sup> in.lb.s <sup>2</sup>	0.04	0.04	0.04	0.04	0.04	0.04	0.04	0.04	0.04
	C	14	$J_1$	kgcm <sup>2</sup>	0.13	0.13	0.13	0.13	0.13	0.13	0.13	0.13	0.13
				10 <sup>-3</sup> in.lb.s <sup>2</sup>	0.12	0.12	0.12	0.12	0.12	0.12	0.12	0.12	0.12

Please use our sizing software cymex® for a detailed sizing – [www.wittenstein-cymex.com](http://www.wittenstein-cymex.com)

<sup>a)</sup> Valid for torque transmission only

<sup>b)</sup> Valid for standard clamping hub diameter

<sup>c)</sup> Refers to center of the output shaft or flange

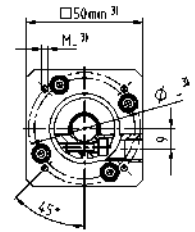
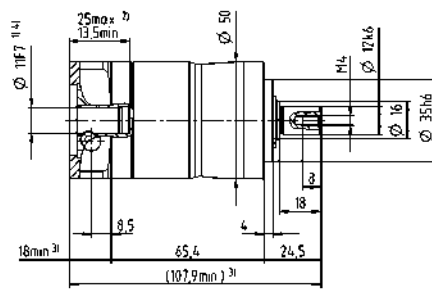
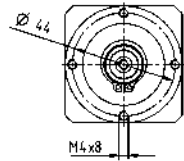
<sup>d)</sup> Please reduce input speed at higher ambient temperatures

<sup>e)</sup> Valid for: Smooth shaft

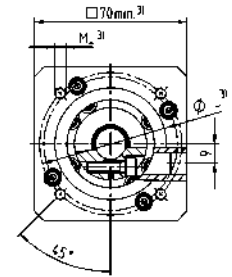
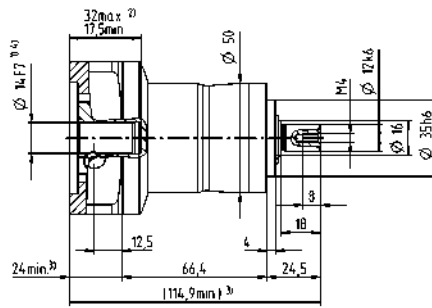
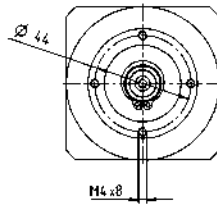
# 2-stage

Motor shaft diameter [mm]

up to 11<sup>4)</sup> (B)<sup>5)</sup>  
clamping hub diameter

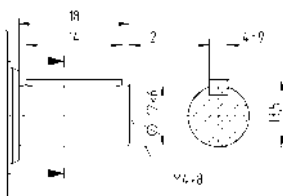


up to 14<sup>4)</sup> (C)  
clamping hub diameter



## Other output variants

Shaft with key



Non-tolerated dimensions are nominal dimensions

<sup>1)</sup> Check motor shaft fit

<sup>2)</sup> Min. / Max. permissible motor shaft length

Longer motor shafts are possible, please contact alpha

<sup>3)</sup> The dimensions depend on the motor

<sup>4)</sup> Smaller motor shaft diameter is compensated

by a bushing with a minimum wall thickness of 1 mm

<sup>5)</sup> Standard clamping hub diameter

# NP 015 MF 1-stage

			1-stage							
Ratio	i		3	4	5	7	8	10		
Max. torque <sup>a) b) e)</sup>	$T_{2a}$	Nm	51	56	64	64	56	56		
		in.lb	451	496	566	566	496	496		
Max. acceleration torque <sup>e)</sup> (max. 1000 cycles per hour)	$T_{2B}$	Nm	32	35	40	40	35	35		
		in.lb	283	310	354	354	310	310		
Emergency stop torque <sup>a) b) e)</sup> (permitted 1000 times during the service life of the gearbox)	$T_{2Not}$	Nm	80	80	80	80	80	80		
		in.lb	708	708	708	708	708	708		
Permitted average input speed <sup>d)</sup> (at $T_{2N}$ and 20 °C ambient temperature)	$n_{1N}$	rpm	3300	3500	3700	4000	4100	4300		
Max. input speed	$n_{1Max}$	rpm	8000	8000	8000	8000	8000	8000		
Mean no load running torque <sup>b)</sup> (at $n_1=3000$ rpm and 20 °C gearbox temperature)	$T_{012}$	Nm	0.24	0.2	0.17	0.14	0.13	0.12		
		in.lb	2.1	1.8	1.5	1.2	1.2	1.1		
Max. backlash	$j_l$	arcmin	≤ 8							
Torsional rigidity <sup>b)</sup>	$C_{121}$	Nm/arcmin	3.3	3.3	3.3	3.3	2.8	2.8		
		in.lb/arcmin	29	29	29	29	25	25		
Max. axial force <sup>c)</sup>	$F_{2AMax}$	N	1550							
		lb <sub>f</sub>	349							
Max. lateral force <sup>c)</sup>	$F_{2QMMax}$	N	1700							
		lb <sub>f</sub>	383							
Max. tilting moment	$M_{2KMMax}$	Nm	72							
		in.lb	637							
Efficiency at full load	$\eta$	%	97							
Service life	$L_n$	h	> 20000							
Weight (incl. standard adapter plate)	m	kg	1.9							
		lb <sub>m</sub>	4.2							
Operating noise (at reference ratio and reference speed – ratio-specific values available in cymex <sup>®</sup> )	$L_{PA}$	dB(A)	≤ 59							
Max. permitted housing temperature		°C	+90							
		°F	+194							
Ambient temperature		°C	-15 to +40							
		°F	+5 to +104							
Lubrication			Lubricated for life							
Direction of rotation			In- and output same direction							
Protection class			IP 64							
Elastomer coupling (recommended product type – validate sizing with cymex <sup>®</sup> )			ELC-0060BA016.000-X							
Bore diameter of coupling on the application side		mm	X = 012.000 - 032.000							
Mass moment of inertia (relates to the drive) Clamping hub diameter [mm]	A	9	$J_1$	kgcm <sup>2</sup>	0.22	0.18	0.16	0.14	0.14	0.13
				10 <sup>-3</sup> in.lb.s <sup>2</sup>	0.19	0.16	0.14	0.12	0.12	0.12
	B	11	$J_1$	kgcm <sup>2</sup>	0.24	0.19	0.18	0.16	0.15	0.15
				10 <sup>-3</sup> in.lb.s <sup>2</sup>	0.21	0.17	0.16	0.14	0.13	0.13
	C	14	$J_1$	kgcm <sup>2</sup>	0.32	0.27	0.25	0.23	0.23	0.22
				10 <sup>-3</sup> in.lb.s <sup>2</sup>	0.28	0.24	0.22	0.2	0.2	0.19
	D	16	$J_1$	kgcm <sup>2</sup>	0.45	0.4	0.38	0.36	0.36	0.35
				10 <sup>-3</sup> in.lb.s <sup>2</sup>	0.4	0.35	0.34	0.32	0.32	0.31
	E	19	$J_1$	kgcm <sup>2</sup>	0.53	0.48	0.46	0.44	0.44	0.43
				10 <sup>-3</sup> in.lb.s <sup>2</sup>	0.47	0.42	0.41	0.39	0.39	0.38

Please use our sizing software cymex<sup>®</sup> for a detailed sizing – [www.wittenstein-cymex.com](http://www.wittenstein-cymex.com)

<sup>a)</sup> Valid for torque transmission only

<sup>b)</sup> Valid for standard clamping hub diameter

<sup>c)</sup> Refers to center of the output shaft or flange

<sup>d)</sup> Please reduce input speed at higher ambient temperatures

<sup>e)</sup> Valid for: Smooth shaft





# NP 015 MF 2-stage

			2-stage														
Ratio	i		12	15	16	20	25	28	30	32	35	40	50	64	70	100	
Max. torque <sup>a) b) e)</sup>	$T_{2a}$	Nm	51	51	56	56	64	56	51	56	64	56	64	56	64	56	
		in.lb	451	451	496	496	566	496	451	496	566	496	566	496	566	496	566
Max. acceleration torque <sup>e)</sup> (max. 1000 cycles per hour)	$T_{2B}$	Nm	32	32	35	35	40	35	32	35	40	35	40	35	40	35	
		in.lb	283	283	310	310	354	310	283	310	354	310	354	310	354	310	
Emergency stop torque <sup>a) b) e)</sup> (permitted 1000 times during the service life of the gearbox)	$T_{2Not}$	Nm	80	80	80	80	80	80	80	80	80	80	80	80	80	80	
		in.lb	708	708	708	708	708	708	708	708	708	708	708	708	708	708	
Permitted average input speed <sup>d)</sup> (at $T_{2a}$ and 20 °C ambient temperature)	$n_{1N}$	rpm	3800	4000	3800	4000	4000	4300	4600	4400	4300	4600	4600	4400	4600	4600	
Max. input speed	$n_{1Max}$	rpm	10000	10000	10000	10000	10000	10000	10000	10000	10000	10000	10000	10000	10000	10000	
Mean no load running torque <sup>b)</sup> (at $n_1=3000$ rpm and 20 °C gearbox temperature)	$T_{012}$	Nm	0.13	0.11	0.12	0.11	0.1	0.09	0.09	0.09	0.09	0.08	0.08	0.08	0.08	0.08	
		in.lb	1.2	0.97	1.1	0.97	0.89	0.8	0.8	0.8	0.8	0.71	0.71	0.71	0.71	0.71	
Max. backlash	$j_l$	arcmin	≤ 10														
Torsional rigidity <sup>b)</sup>	$C_{i21}$	Nm/arcmin	3.3	3.3	3.3	3.3	3.3	3.3	4	3.3	3.3	3.3	3.3	2.8	3.3	2.8	
		in.lb/arcmin	29	29	29	29	29	29	35	29	29	29	29	25	29	25	
Max. axial force <sup>c)</sup>	$F_{2AMax}$	N	1550														
		lb <sub>f</sub>	349														
Max. lateral force <sup>c)</sup>	$F_{2QMMax}$	N	1700														
		lb <sub>f</sub>	383														
Max. tilting moment	$M_{2KMMax}$	Nm	72														
		in.lb	637														
Efficiency at full load	$\eta$	%	95														
Service life	$L_n$	h	> 20000														
Weight (incl. standard adapter plate)	m	kg	1.9														
		lb <sub>m</sub>	4.2														
Operating noise (at reference ratio and reference speed – ratio-specific values available in cymex <sup>®</sup> )	$L_{PA}$	dB(A)	≤ 58														
Max. permitted housing temperature		°C	+90														
		°F	+194														
Ambient temperature		°C	-15 to +40														
		°F	+5 to +104														
Lubrication			Lubricated for life														
Direction of rotation			In- and output same direction														
Protection class			IP 64														
Elastomer coupling (recommended product type – validate sizing with cymex <sup>®</sup> )			ELC-0060BA016.000-X														
Bore diameter of coupling on the application side		mm	X = 012.000 - 032.000														
Mass moment of inertia (relates to the drive) Clamping hub diameter [mm]	Z	8	$J_1$	kgcm <sup>2</sup>	0.04	0.04	0.03	0.03	0.03	0.03	0.03	0.03	0.03	0.02	0.02	0.02	0.02
				10 <sup>-3</sup> in.lb.s <sup>2</sup>	0.04	0.04	0.03	0.03	0.03	0.03	0.03	0.03	0.03	0.03	0.02	0.02	0.02
	A	9	$J_1$	kgcm <sup>2</sup>	0.04	0.04	0.03	0.03	0.03	0.03	0.03	0.03	0.03	0.02	0.02	0.02	0.02
				10 <sup>-3</sup> in.lb.s <sup>2</sup>	0.04	0.04	0.03	0.03	0.03	0.03	0.03	0.03	0.03	0.02	0.02	0.02	0.02
	B	11	$J_1$	kgcm <sup>2</sup>	0.06	0.05	0.05	0.05	0.05	0.05	0.05	0.04	0.05	0.04	0.04	0.04	
				10 <sup>-3</sup> in.lb.s <sup>2</sup>	0.05	0.04	0.04	0.04	0.04	0.04	0.04	0.04	0.04	0.04	0.04	0.04	
	C	14	$J_1$	kgcm <sup>2</sup>	0.14	0.14	0.14	0.13	0.13	0.13	0.14	0.13	0.13	0.13	0.13	0.13	
				10 <sup>-3</sup> in.lb.s <sup>2</sup>	0.12	0.12	0.12	0.12	0.12	0.12	0.12	0.12	0.12	0.12	0.12	0.12	

Please use our sizing software cymex<sup>®</sup> for a detailed sizing – [www.wittenstein-cymex.com](http://www.wittenstein-cymex.com)

<sup>a)</sup> Valid for torque transmission only

<sup>b)</sup> Valid for standard clamping hub diameter

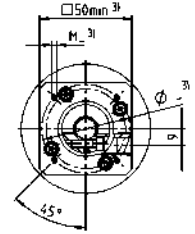
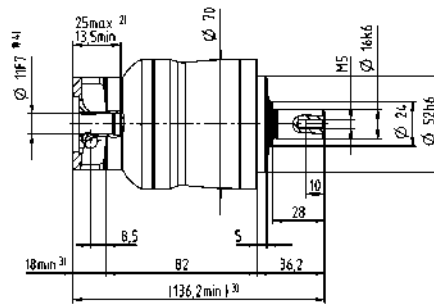
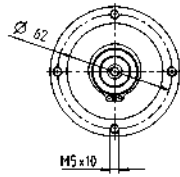
<sup>c)</sup> Refers to center of the output shaft or flange

<sup>d)</sup> Please reduce input speed at higher ambient temperatures

<sup>e)</sup> Valid for: Smooth shaft

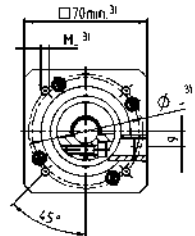
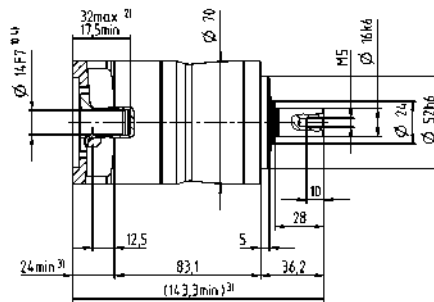
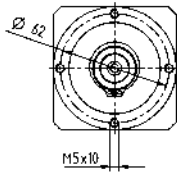
# 2-stage

up to 11<sup>4)</sup> (B)<sup>5)</sup>  
clamping hub  
diameter



Motor shaft diameter [mm]

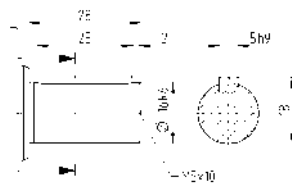
up to 14<sup>4)</sup> (C)  
clamping hub  
diameter



Planetary Gearboxes  
Value Line

## Other output variants

Shaft with key



Non-tolerated dimensions are nominal dimensions

<sup>1)</sup> Check motor shaft fit

<sup>2)</sup> Min. / Max. permissible motor shaft length

Longer motor shafts are possible, please contact alpha

<sup>3)</sup> The dimensions depend on the motor

<sup>4)</sup> Smaller motor shaft diameter is compensated

by a bushing with a minimum wall thickness of 1 mm

<sup>5)</sup> Standard clamping hub diameter

# NP 025 MF 1-stage

			1-stage							
Ratio	i		3	4	5	7	8	10		
Max. torque <sup>a) b) e)</sup>	$T_{2a}$	Nm	128	152	160	160	144	144		
		in.lb	1133	1345	1416	1416	1275	1275		
Max. acceleration torque <sup>e)</sup> (max. 1000 cycles per hour)	$T_{2B}$	Nm	80	95	100	100	90	90		
		in.lb	708	841	885	885	797	797		
Emergency stop torque <sup>a) b) e)</sup> (permitted 1000 times during the service life of the gearbox)	$T_{2Not}$	Nm	190	190	190	190	190	190		
		in.lb	1682	1682	1682	1682	1682	1682		
Permitted average input speed <sup>d)</sup> (at $T_{2a}$ and 20 °C ambient temperature)	$n_{1N}$	rpm	3100	3300	3400	3600	3700	3900		
Max. input speed	$n_{1Max}$	rpm	7000	7000	7000	7000	7000	7000		
Mean no load running torque <sup>b)</sup> (at $n_1=3000$ rpm and 20 °C gearbox temperature)	$T_{012}$	Nm	0.38	0.31	0.26	0.21	0.19	0.17		
		in.lb	3.4	2.7	2.3	1.9	1.7	1.5		
Max. backlash	$j_l$	arcmin	≤ 8							
Torsional rigidity <sup>b)</sup>	$C_{i21}$	Nm/arcmin	9.5	9.5	9.5	9.5	8.5	8.5		
		in.lb/arcmin	84	84	84	84	75	75		
Max. axial force <sup>c)</sup>	$F_{2AMax}$	N	1900							
		lb <sub>f</sub>	428							
Max. lateral force <sup>c)</sup>	$F_{2QMMax}$	N	2800							
		lb <sub>f</sub>	630							
Max. tilting moment	$M_{2KMMax}$	Nm	137							
		in.lb	1213							
Efficiency at full load	$\eta$	%	97							
Service life	$L_n$	h	> 20000							
Weight (incl. standard adapter plate)	$m$	kg	3.8							
		lb <sub>m</sub>	8.4							
Operating noise (at reference ratio and reference speed – ratio-specific values available in cymex®)	$L_{PA}$	dB(A)	≤ 61							
Max. permitted housing temperature		°C	+90							
		°F	+194							
Ambient temperature		°C	-15 to +40							
		°F	+5 to +104							
Lubrication			Lubricated for life							
Direction of rotation			In- and output same direction							
Protection class			IP 64							
Elastomer coupling (recommended product type – validate sizing with cymex®)			ELC-0060BA022.000-X							
Bore diameter of coupling on the application side		mm	X = 012.000 - 032.000							
Mass moment of inertia (relates to the drive) Clamping hub diameter [mm]	C	14	$J_1$	kgcm <sup>2</sup>	0.57	0.46	0.37	0.3	0.27	0.25
				10 <sup>-3</sup> in.lb.s <sup>2</sup>	0.5	0.41	0.33	0.27	0.24	0.22
	D	16	$J_1$	kgcm <sup>2</sup>	0.71	0.61	0.52	0.43	0.42	0.4
				10 <sup>-3</sup> in.lb.s <sup>2</sup>	0.63	0.54	0.46	0.38	0.37	0.35
	E	19	$J_1$	kgcm <sup>2</sup>	0.8	0.7	0.61	0.53	0.51	0.49
				10 <sup>-3</sup> in.lb.s <sup>2</sup>	0.71	0.62	0.54	0.47	0.45	0.43
	G	24	$J_1$	kgcm <sup>2</sup>	1.8	1.7	1.6	1.6	1.5	1.5
				10 <sup>-3</sup> in.lb.s <sup>2</sup>	1.6	1.5	1.4	1.4	1.3	1.3
	H	28	$J_1$	kgcm <sup>2</sup>	1.5	1.4	1.3	1.3	1.2	1.2
				10 <sup>-3</sup> in.lb.s <sup>2</sup>	1.3	1.2	1.2	1.2	1.1	1.1

Please use our sizing software cymex® for a detailed sizing – [www.wittenstein-cymex.com](http://www.wittenstein-cymex.com)

<sup>a)</sup> Valid for torque transmission only

<sup>b)</sup> Valid for standard clamping hub diameter

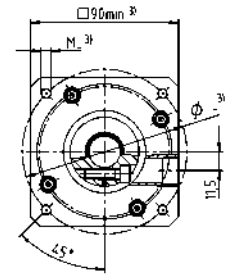
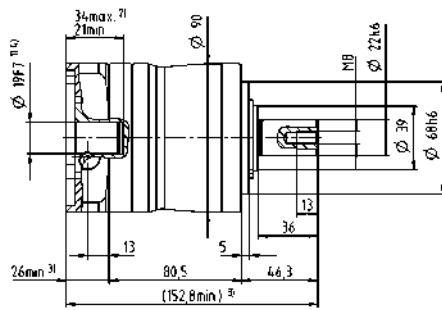
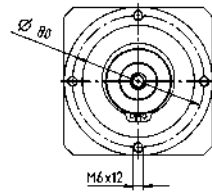
<sup>c)</sup> Refers to center of the output shaft or flange

<sup>d)</sup> Please reduce input speed at higher ambient temperatures

<sup>e)</sup> Valid for: Smooth shaft

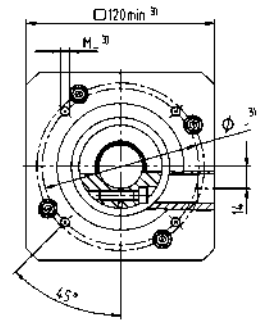
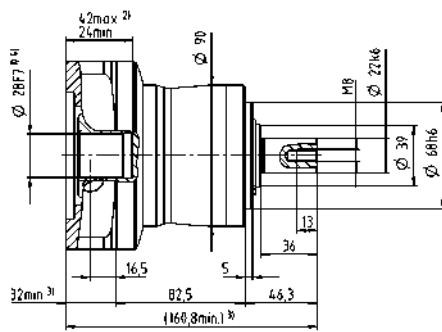
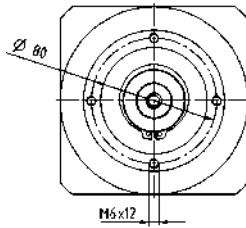
# 1-stage

up to 19<sup>4)</sup> (E)<sup>5)</sup>  
clamping hub  
diameter



Motor shaft diameter [mm]

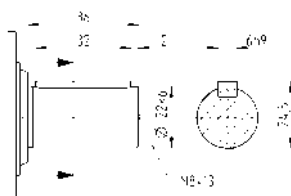
up to 28<sup>4)</sup> (H)  
clamping hub  
diameter



Planetary Gearboxes  
Value Line

## Other output variants

Shaft with key



Non-tolerated dimensions are nominal dimensions

<sup>1)</sup> Check motor shaft fit

<sup>2)</sup> Min. / Max. permissible motor shaft length

Longer motor shafts are possible, please contact alpha

<sup>3)</sup> The dimensions depend on the motor

<sup>4)</sup> Smaller motor shaft diameter is compensated

by a bushing with a minimum wall thickness of 1 mm

<sup>5)</sup> Standard clamping hub diameter

# NP 025 MF 2-stage

			2-stage														
Ratio	i		9	12	15	16	20	25	28	30	32	35	40	50	64	70	100
Max. torque <sup>a) b) e)</sup>	$T_{2a}$	Nm	128	128	128	152	152	160	152	128	152	160	152	160	144	160	144
		in.lb	1133	1133	1133	1345	1345	1416	1345	1133	1345	1416	1345	1416	1275	1416	1275
Max. acceleration torque <sup>e)</sup> (max. 1000 cycles per hour)	$T_{2B}$	Nm	80	80	80	95	95	100	95	80	95	100	95	100	90	100	90
		in.lb	708	708	708	841	841	885	841	708	841	885	841	885	797	885	797
Emergency stop torque <sup>a) b) e)</sup> (permitted 1000 times during the service life of the gearbox)	$T_{2Not}$	Nm	190	190	190	190	190	190	190	190	190	190	190	190	190	190	190
		in.lb	1682	1682	1682	1682	1682	1682	1682	1682	1682	1682	1682	1682	1682	1682	1682
Permitted average input speed <sup>d)</sup> (at $T_{2N}$ and 20 °C ambient temperature)	$n_{1N}$	rpm	3300	3500	3700	3500	3700	3700	4000	4300	4100	4000	4300	4300	4100	4300	4300
Max. input speed	$n_{1Max}$	rpm	8000	8000	8000	8000	8000	8000	8000	8000	8000	8000	8000	8000	8000	8000	8000
Mean no load running torque <sup>b)</sup> (at $n_1=3000$ rpm and 20 °C gearbox temperature)	$T_{012}$	Nm	0.22	0.18	0.16	0.16	0.15	0.14	0.12	0.12	0.12	0.12	0.11	0.1	0.1	0.1	0.09
		in.lb	1.9	1.6	1.4	1.4	1.3	1.2	1.1	1.1	1.1	1.1	0.97	0.89	0.89	0.89	0.8
Max. backlash	$j_t$	arcmin	≤ 10														
Torsional rigidity <sup>b)</sup>	$C_{t21}$	Nm/arcmin	9.5	9.5	9.5	9.5	9.5	9.5	9.5	9.5	9.5	9.5	9.5	9.5	8.5	9.5	8.5
		in.lb/arcmin	84	84	84	84	84	84	84	84	84	84	84	84	75	84	75
Max. axial force <sup>c)</sup>	$F_{2AMax}$	N	1900														
		lb <sub>f</sub>	428														
Max. lateral force <sup>c)</sup>	$F_{2QMMax}$	N	2800														
		lb <sub>f</sub>	630														
Max. tilting moment	$M_{2KMMax}$	Nm	137														
		in.lb	1213														
Efficiency at full load	$\eta$	%	95														
Service life	$L_n$	h	> 20000														
Weight (incl. standard adapter plate)	m	kg	4.1														
		lb <sub>m</sub>	9.1														
Operating noise (at reference ratio and reference speed – ratio-specific values available in cymex <sup>®</sup> )	$L_{PA}$	dB(A)	≤ 59														
Max. permitted housing temperature		°C	+90														
		°F	+194														
Ambient temperature		°C	-15 to +40														
		°F	+5 to +104														
Lubrication			Lubricated for life														
Direction of rotation			In- and output same direction														
Protection class			IP 64														
Elastomer coupling (recommended product type – validate sizing with cymex <sup>®</sup> )			ELC-0060BA022.000-X														
Bore diameter of coupling on the application side		mm	X = 012.000 - 032.000														
Mass moment of inertia (relates to the drive) Clamping hub diameter [mm]	A	9	$J_t$	kgcm <sup>2</sup>	0.26	0.22	0.21	0.21	0.2	0.2	0.19	0.19	0.19	0.19	0.19	0.19	0.19
				10 <sup>-3</sup> in.lb.s <sup>2</sup>	0.23	0.19	0.19	0.19	0.18	0.18	0.17	0.17	0.17	0.17	0.17	0.17	0.17
	B	11	$J_t$	kgcm <sup>2</sup>	0.28	0.24	0.23	0.23	0.22	0.22	0.21	0.21	0.21	0.21	0.21	0.21	0.21
				10 <sup>-3</sup> in.lb.s <sup>2</sup>	0.25	0.21	0.2	0.2	0.19	0.19	0.19	0.19	0.19	0.19	0.19	0.19	0.19
	C	14	$J_t$	kgcm <sup>2</sup>	0.35	0.31	0.3	0.3	0.3	0.29	0.29	0.28	0.28	0.28	0.28	0.28	0.28
				10 <sup>-3</sup> in.lb.s <sup>2</sup>	0.31	0.27	0.27	0.27	0.27	0.26	0.26	0.25	0.25	0.25	0.25	0.25	0.25
	D	16	$J_t$	kgcm <sup>2</sup>	0.48	0.44	0.43	0.43	0.42	0.42	0.41	0.41	0.41	0.41	0.41	0.41	0.41
				10 <sup>-3</sup> in.lb.s <sup>2</sup>	0.42	0.39	0.38	0.38	0.37	0.37	0.36	0.36	0.36	0.36	0.36	0.36	0.36
	E	19	$J_t$	kgcm <sup>2</sup>	0.56	0.52	0.51	0.51	0.51	0.5	0.5	0.5	0.5	0.5	0.49	0.49	0.49
				10 <sup>-3</sup> in.lb.s <sup>2</sup>	0.5	0.46	0.45	0.45	0.45	0.44	0.44	0.44	0.44	0.44	0.43	0.43	0.43

Please use our sizing software cymex<sup>®</sup> for a detailed sizing – [www.wittenstein-cymex.com](http://www.wittenstein-cymex.com)

<sup>a)</sup> Valid for torque transmission only

<sup>b)</sup> Valid for standard clamping hub diameter

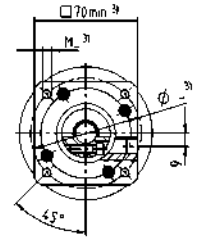
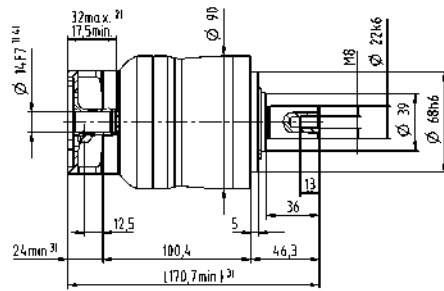
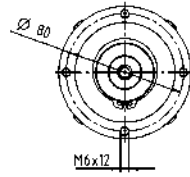
<sup>c)</sup> Refers to center of the output shaft or flange

<sup>d)</sup> Please reduce input speed at higher ambient temperatures

<sup>e)</sup> Valid for: Smooth shaft

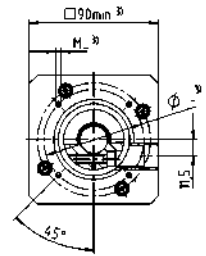
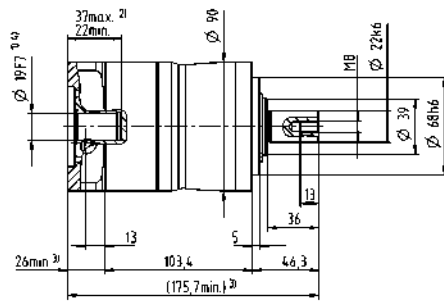
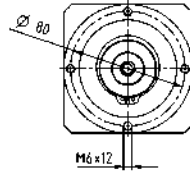
# 2-stage

up to 14<sup>4)</sup> (C)<sup>5)</sup>  
clamping hub diameter



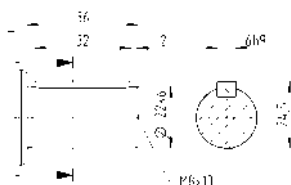
Motor shaft diameter [mm]

up to 19<sup>4)</sup> (E)  
clamping hub diameter



## Other output variants

Shaft with key



Non-tolerated dimensions are nominal dimensions

<sup>1)</sup> Check motor shaft fit

<sup>2)</sup> Min. / Max. permissible motor shaft length

Longer motor shafts are possible, please contact alpha

<sup>3)</sup> The dimensions depend on the motor

<sup>4)</sup> Smaller motor shaft diameter is compensated

by a bushing with a minimum wall thickness of 1 mm

<sup>5)</sup> Standard clamping hub diameter

# NP 035 MF 1-stage

			1-stage							
Ratio	i		3	4	5	7	8	10		
Max. torque <sup>a) b) e)</sup>	$T_{2a}$	Nm	320	408	400	400	352	352		
		in.lb	2832	3611	3540	3540	3115	3115		
Max. acceleration torque <sup>e)</sup> (max. 1000 cycles per hour)	$T_{2B}$	Nm	200	255	250	250	220	220		
		in.lb	1770	2257	2213	2213	1947	1947		
Emergency stop torque <sup>a) b) e)</sup> (permitted 1000 times during the service life of the gearbox)	$T_{2Not}$	Nm	500	500	500	500	500	500		
		in.lb	4425	4425	4425	4425	4425	4425		
Permitted average input speed <sup>d)</sup> (at $T_{2a}$ and 20 °C ambient temperature)	$n_{1N}$	rpm	2300	2500	2600	2800	2900	3000		
Max. input speed	$n_{1Max}$	rpm	6000	6000	6000	6000	6000	6000		
Mean no load running torque <sup>b)</sup> (at $n_1=3000$ rpm and 20 °C gearbox temperature)	$T_{012}$	Nm	1	0.85	0.76	0.66	0.63	0.58		
		in.lb	8.9	7.5	6.7	5.8	5.6	5.1		
Max. backlash	$j_l$	arcmin	≤ 8							
Torsional rigidity <sup>b)</sup>	$C_{t21}$	Nm/arcmin	22	25	25	25	22	22		
		in.lb/arcmin	195	221	221	221	195	195		
Max. axial force <sup>c)</sup>	$F_{2AMax}$	N	4000							
		lb <sub>f</sub>	900							
Max. lateral force <sup>c)</sup>	$F_{2QMMax}$	N	5000							
		lb <sub>f</sub>	1125							
Max. tilting moment	$M_{2KMMax}$	Nm	345							
		in.lb	3054							
Efficiency at full load	$\eta$	%	97							
Service life	$L_n$	h	> 20000							
Weight (incl. standard adapter plate)	m	kg	9.4							
		lb <sub>m</sub>	21							
Operating noise (at reference ratio and reference speed – ratio-specific values available in cymex <sup>®</sup> )	$L_{PA}$	dB(A)	≤ 65							
Max. permitted housing temperature		°C	+90							
		°F	+194							
Ambient temperature		°C	-15 to +40							
		°F	+5 to +104							
Lubrication			Lubricated for life							
Direction of rotation			In- and output same direction							
Protection class			IP 64							
Elastomer coupling (recommended product type – validate sizing with cymex <sup>®</sup> )			ELC-0150BA032.000-X							
Bore diameter of coupling on the application side		mm	X = 019.000 - 036.000							
Mass moment of inertia (relates to the drive) Clamping hub diameter [mm]	E	19	$J_1$	kgcm <sup>2</sup>	2.6	1.7	1.4	1	1	0.9
				10 <sup>-3</sup> in.lb.s <sup>2</sup>	2.3	1.5	1.2	0.89	0.89	0.8
	G	24	$J_1$	kgcm <sup>2</sup>	3.4	2.5	2.2	1.8	1.7	1.7
				10 <sup>-3</sup> in.lb.s <sup>2</sup>	3	2.2	1.9	1.6	1.5	1.5
	H	28	$J_1$	kgcm <sup>2</sup>	3.1	2.2	1.9	1.5	1.4	1.4
				10 <sup>-3</sup> in.lb.s <sup>2</sup>	2.7	1.9	1.7	1.3	1.2	1.2
	I	32	$J_1$	kgcm <sup>2</sup>	7.2	6.3	5.9	5.6	5.5	5.4
				10 <sup>-3</sup> in.lb.s <sup>2</sup>	6.4	5.6	5.2	5	4.9	4.8
	K	38	$J_1$	kgcm <sup>2</sup>	8.3	7.4	7.1	6.8	6.7	6.6
				10 <sup>-3</sup> in.lb.s <sup>2</sup>	7.3	6.5	6.3	6	5.9	5.8

Please use our sizing software cymex<sup>®</sup> for a detailed sizing – [www.wittenstein-cymex.com](http://www.wittenstein-cymex.com)

<sup>a)</sup> Valid for torque transmission only

<sup>b)</sup> Valid for standard clamping hub diameter

<sup>c)</sup> Refers to center of the output shaft or flange

<sup>d)</sup> Please reduce input speed at higher ambient temperatures

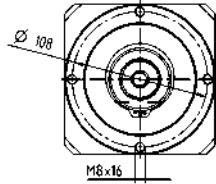
<sup>e)</sup> Valid for: Smooth shaft



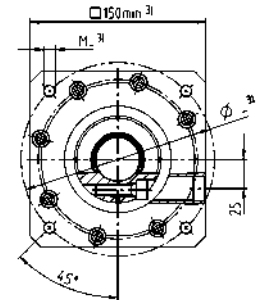
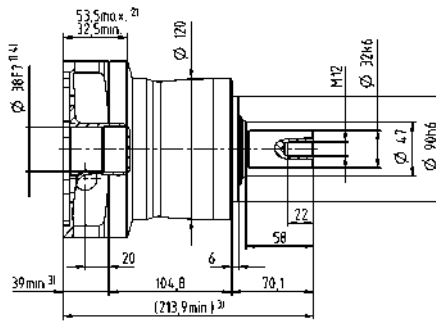
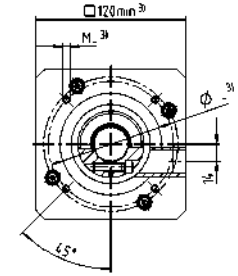
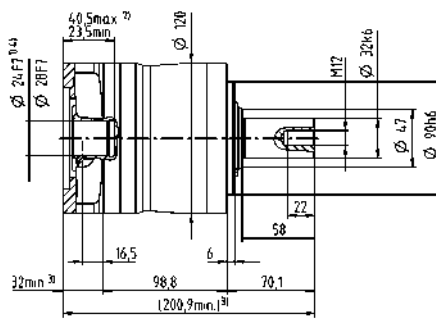
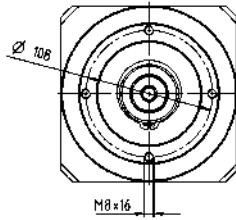
# 1-stage

Motor shaft diameter [mm]

up to 24/28<sup>4)</sup>  
(G<sup>5)</sup>/H)  
clamping hub diameter

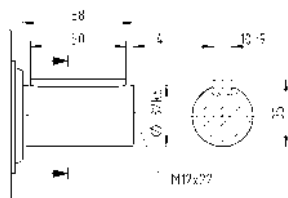


up to 38<sup>4)</sup> (K)  
clamping hub diameter



## Other output variants

Shaft with key



Non-tolerated dimensions are nominal dimensions

<sup>1)</sup> Check motor shaft fit

<sup>2)</sup> Min. / Max. permissible motor shaft length

Longer motor shafts are possible, please contact alpha

<sup>3)</sup> The dimensions depend on the motor

<sup>4)</sup> Smaller motor shaft diameter is compensated

by a bushing with a minimum wall thickness of 1 mm

<sup>5)</sup> Standard clamping hub diameter

# NP 035 MF 2-stage

			2-stage																
Ratio	i		9	12	15	16	20	25	28	30	32	35	40	50	64	70	100		
Max. torque <sup>a) b) e)</sup>	$T_{2a}$	Nm	320	320	320	408	408	400	408	320	408	400	408	400	352	400	352		
		in.lb	2832	2832	2832	3611	3611	3540	3611	2832	3611	3540	3611	3540	3115	3540	3115		
Max. acceleration torque <sup>e)</sup> (max. 1000 cycles per hour)	$T_{2B}$	Nm	200	200	200	255	255	250	255	200	255	250	255	250	220	250	220		
		in.lb	1770	1770	1770	2257	2257	2213	2257	1770	2257	2213	2257	2213	1947	2213	1947		
Emergency stop torque <sup>a) b) e)</sup> (permitted 1000 times during the service life of the gearbox)	$T_{2Not}$	Nm	500	500	500	500	500	500	500	500	500	500	500	500	500	500	500		
		in.lb	4425	4425	4425	4425	4425	4425	4425	4425	4425	4425	4425	4425	4425	4425	4425		
Permitted average input speed <sup>d)</sup> (at $T_{2N}$ and 20 °C ambient temperature)	$n_{1N}$	rpm	3100	3300	3400	3300	3400	3400	3600	3900	3700	3600	3900	3900	3700	3900	3900		
Max. input speed	$n_{1Max}$	rpm	7000	7000	7000	7000	7000	7000	7000	7000	7000	7000	7000	7000	7000	7000	7000		
Mean no load running torque <sup>b)</sup> (at $n_1=3000$ rpm and 20 °C gearbox temperature)	$T_{012}$	Nm	0.45	0.36	0.3	0.32	0.27	0.25	0.22	0.19	0.2	0.2	0.18	0.17	0.17	0.16	0.15		
		in.lb	4	3.2	2.7	2.8	2.4	2.2	1.9	1.7	1.8	1.8	1.6	1.5	1.5	1.4	1.3		
Max. backlash	$j_l$	arcmin	≤ 10																
Torsional rigidity <sup>b)</sup>	$C_{t21}$	Nm/arcmin	22	22	22	25	25	25	25	22	25	25	25	25	22	25	22		
		in.lb/arcmin	195	195	195	221	221	221	221	195	221	221	221	221	195	221	195		
Max. axial force <sup>c)</sup>	$F_{2AMax}$	N	4000																
		lb <sub>f</sub>	900																
Max. lateral force <sup>c)</sup>	$F_{2QMMax}$	N	5000																
		lb <sub>f</sub>	1125																
Max. tilting moment	$M_{2KMMax}$	Nm	345																
		in.lb	3054																
Efficiency at full load	$\eta$	%	95																
Service life	$L_n$	h	> 20000																
Weight (incl. standard adapter plate)	m	kg	9.8																
		lb <sub>m</sub>	22																
Operating noise (at reference ratio and reference speed – ratio-specific values available in cymex <sup>®</sup> )	$L_{PA}$	dB(A)	≤ 61																
Max. permitted housing temperature		°C	+90																
		°F	+194																
Ambient temperature		°C	-15 to +40																
		°F	+5 to +104																
Lubrication			Lubricated for life																
Direction of rotation			In- and output same direction																
Protection class			IP 64																
Elastomer coupling (recommended product type – validate sizing with cymex <sup>®</sup> )			ELC-0150BA032.000-X																
Bore diameter of coupling on the application side		mm	X = 019.000 - 036.000																
Mass moment of inertia (relates to the drive) Clamping hub diameter [mm]	C	14	$J_1$	kgcm <sup>2</sup>	0.61	0.6	0.6	0.43	0.42	0.36	0.37	0.52	0.38	0.32	0.36	0.31	0.26	0.27	0.24
				10 <sup>-3</sup> in.lb.s <sup>2</sup>	0.54	0.53	0.53	0.38	0.37	0.32	0.33	0.46	0.34	0.28	0.32	0.27	0.23	0.24	0.21
	D	16	$J_1$	kgcm <sup>2</sup>	0.76	0.75	0.75	0.58	0.57	0.5	0.5	0.67	0.52	0.45	0.51	0.46	0.4	0.41	0.39
				10 <sup>-3</sup> in.lb.s <sup>2</sup>	0.67	0.66	0.66	0.51	0.5	0.44	0.44	0.59	0.46	0.4	0.45	0.41	0.35	0.36	0.35
	E	19	$J_1$	kgcm <sup>2</sup>	0.85	0.83	0.83	0.67	0.66	0.59	0.6	0.75	0.61	0.55	0.6	0.54	0.49	0.5	0.48
				10 <sup>-3</sup> in.lb.s <sup>2</sup>	0.75	0.73	0.73	0.59	0.58	0.52	0.53	0.66	0.54	0.49	0.53	0.48	0.43	0.44	0.42
	G	24	$J_1$	kgcm <sup>2</sup>	1.9	1.9	1.9	1.7	1.7	1.6	1.6	1.8	1.6	1.6	1.6	1.6	1.5	1.5	1.5
				10 <sup>-3</sup> in.lb.s <sup>2</sup>	1.7	1.7	1.7	1.5	1.5	1.4	1.4	1.6	1.4	1.4	1.4	1.4	1.4	1.3	1.3
	H	28	$J_1$	kgcm <sup>2</sup>	1.6	1.6	1.6	1.4	1.4	1.3	1.3	1.5	1.4	1.3	1.3	1.3	1.2	1.2	1.2
				10 <sup>-3</sup> in.lb.s <sup>2</sup>	1.4	1.4	1.4	1.2	1.2	1.2	1.2	1.3	1.2	1.2	1.2	1.2	1.1	1.1	1.1

Please use our sizing software cymex<sup>®</sup> for a detailed sizing – [www.wittenstein-cymex.com](http://www.wittenstein-cymex.com)

<sup>a)</sup> Valid for torque transmission only

<sup>b)</sup> Valid for standard clamping hub diameter

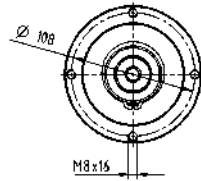
<sup>c)</sup> Refers to center of the output shaft or flange

<sup>d)</sup> Please reduce input speed at higher ambient temperatures

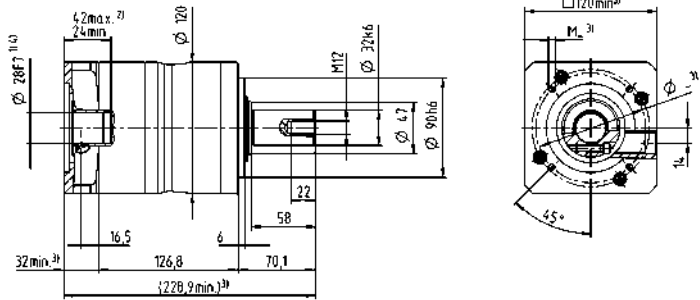
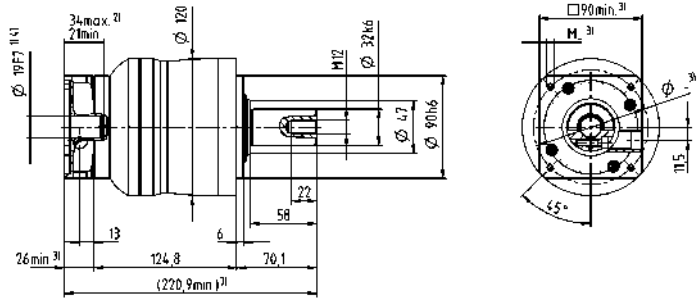
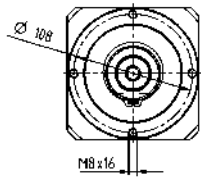
<sup>e)</sup> Valid for: Smooth shaft

# 2-stage

up to 19<sup>4)</sup> (E)<sup>5)</sup>  
clamping hub diameter



up to 28<sup>4)</sup> (H)  
clamping hub diameter

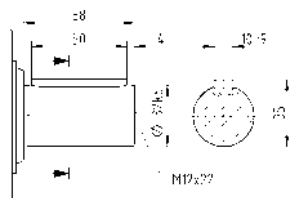


Motor shaft diameter [mm]

Planetary Gearboxes  
Value Line

## Other output variants

Shaft with key



Non-tolerated dimensions are nominal dimensions

<sup>1)</sup> Check motor shaft fit

<sup>2)</sup> Min. / Max. permissible motor shaft length

Longer motor shafts are possible, please contact alpha

<sup>3)</sup> The dimensions depend on the motor

<sup>4)</sup> Smaller motor shaft diameter is compensated

by a bushing with a minimum wall thickness of 1 mm

<sup>5)</sup> Standard clamping hub diameter

# NP 045 MF 1-/2-stage

			1-stage			2-stage						
Ratio	i		5	8	10	25	32	50	64	100		
Max. torque <sup>a) b) e)</sup>	$T_{2a}$	Nm	800	640	640	700	640	700	640	640		
		in.lb	7081	5665	5665	6196	5665	6196	5665	5665		
Max. acceleration torque <sup>e)</sup> (max. 1000 cycles per hour)	$T_{2B}$	Nm	500	400	400	500	400	500	400	400		
		in.lb	4425	3540	3540	4425	3540	4425	3540	3540		
Emergency stop torque <sup>a) b) e)</sup> (permitted 1000 times during the service life of the gearbox)	$T_{2Not}$	Nm	1000	1000	1000	1000	1000	1000	1000	1000		
		in.lb	8851	8851	8851	8851	8851	8851	8851	8851		
Permitted average input speed <sup>d)</sup> (at $T_{2a}$ and 20 °C ambient temperature)	$n_{1N}$	rpm	2000	2200	2300	2600	2500	3000	2900	3000		
Max. input speed	$n_{1Max}$	rpm	4000	4000	4000	6000	6000	6000	6000	6000		
Mean no load running torque <sup>b)</sup> (at $n_1=3000$ rpm and 20 °C gearbox temperature)	$T_{012}$	Nm	2.4	2	1.9	0.8	0.68	0.6	0.6	0.55		
		in.lb	21	18	17	7.1	6	5.3	5.3	4.9		
Max. backlash	$j_l$	arcmin	≤ 8			≤ 10						
Torsional rigidity <sup>b)</sup>	$C_{i21}$	Nm/arcmin	55	44	44	55	55	55	44	44		
		in.lb/arcmin	487	389	389	487	487	487	389	389		
Max. axial force <sup>c)</sup>	$F_{2AMax}$	N	6000			6000						
		lb <sub>f</sub>	1350			1350						
Max. lateral force <sup>c)</sup>	$F_{2QMMax}$	N	8000			8000						
		lb <sub>f</sub>	1800			1800						
Max. tilting moment	$M_{2KMMax}$	Nm	704			704						
		in.lb	6231			6231						
Efficiency at full load	$\eta$	%	97			95						
Service life	$L_n$	h	> 20000			> 20000						
Weight (incl. standard adapter plate)	m	kg	19			20						
		lb <sub>m</sub>	42			44						
Operating noise (at reference ratio and reference speed – ratio-specific values available in cymex <sup>®</sup> )	$L_{PA}$	dB(A)	≤ 68			≤ 65						
		°C	+90			+90						
Max. permitted housing temperature		°F	+194			+194						
		°C	-15 to +40			-15 to +40						
Ambient temperature		°F	+5 to +104			+5 to +104						
			Lubricated for life									
Direction of rotation			In- and output same direction									
Protection class			IP 64									
Elastomer coupling (recommended product type – validate sizing with cymex <sup>®</sup> )			ELC-0300BA040.000-X									
Bore diameter of coupling on the application side		mm	X = 020.000 - 045.000									
Mass moment of inertia (relates to the drive) Clamping hub diameter [mm]	E	19	$J_1$	kgcm <sup>2</sup>	-	-	-	1.2	1.1	1.1	0.88	0.82
				10 <sup>-3</sup> in.lb.s <sup>2</sup>	-	-	-	1.1	0.97	0.97	0.78	0.73
	G	24	$J_1$	kgcm <sup>2</sup>	-	-	-	2	1.9	1.8	1.7	1.6
				10 <sup>-3</sup> in.lb.s <sup>2</sup>	-	-	-	1.8	1.7	1.6	1.5	1.4
	H	28	$J_1$	kgcm <sup>2</sup>	-	-	-	1.7	1.6	1.5	1.4	1.3
				10 <sup>-3</sup> in.lb.s <sup>2</sup>	-	-	-	1.5	1.4	1.3	1.2	1.2
	I	32	$J_1$	kgcm <sup>2</sup>	-	-	-	5.8	5.7	5.6	5.4	5.4
				10 <sup>-3</sup> in.lb.s <sup>2</sup>	-	-	-	5.1	5	5	4.8	4.8
	K	38	$J_1$	kgcm <sup>2</sup>	8.8	7.4	7.2	7	6.9	6.8	6.6	6.5
				10 <sup>-3</sup> in.lb.s <sup>2</sup>	7.8	6.5	6.4	6.2	6.1	6	5.8	5.8

Please use our sizing software cymex<sup>®</sup> for a detailed sizing – [www.wittenstein-cymex.com](http://www.wittenstein-cymex.com)

<sup>a)</sup> Valid for torque transmission only

<sup>b)</sup> Valid for standard clamping hub diameter

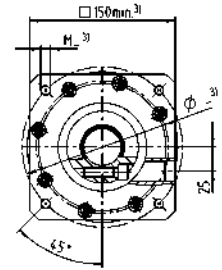
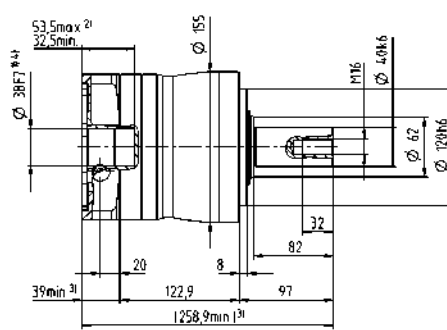
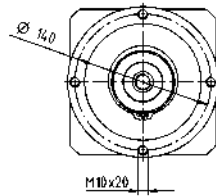
<sup>c)</sup> Refers to center of the output shaft or flange

<sup>d)</sup> Please reduce input speed at higher ambient temperatures

<sup>e)</sup> Valid for: Smooth shaft

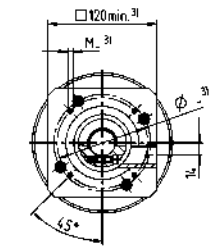
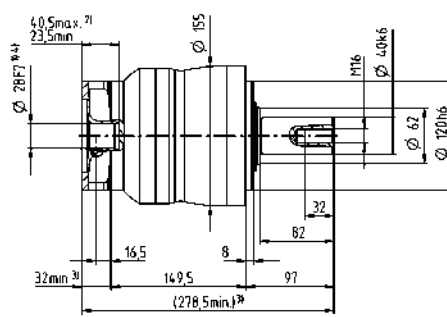
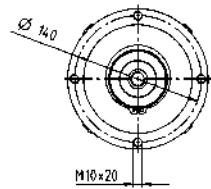
# 1-stage

up to 38<sup>4)</sup> (K)<sup>5)</sup>  
clamping hub  
diameter



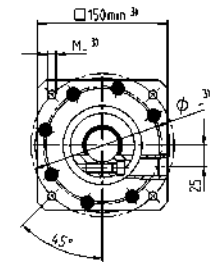
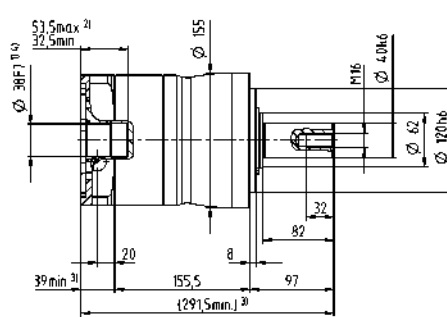
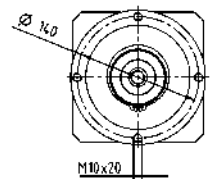
# 2-stage

up to 28<sup>4)</sup> (H)<sup>5)</sup>  
clamping hub  
diameter



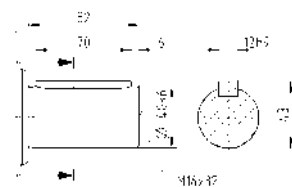
Motor shaft diameter [mm]

up to 38<sup>4)</sup> (K)  
clamping hub  
diameter



## Other output variants

Shaft with key



Non-tolerated dimensions are nominal dimensions

<sup>1)</sup> Check motor shaft fit

<sup>2)</sup> Min. / Max. permissible motor shaft length

Longer motor shafts are possible, please contact alpha

<sup>3)</sup> The dimensions depend on the motor

<sup>4)</sup> Smaller motor shaft diameter is compensated

by a bushing with a minimum wall thickness of 1 mm

<sup>5)</sup> Standard clamping hub diameter

# NP 015 MA 1-/2-stage

			1-stage		2-stage							
Ratio	i		3	4	12	15	16	20	28	30	40	
Max. torque <sup>a) b) e)</sup>	$T_{2a}$	Nm	80	67	62	67	67	67	67	62	67	
		in.lb	708	593	549	593	593	593	593	593	549	593
Max. acceleration torque <sup>e)</sup> (max. 1000 cycles per hour)	$T_{2B}$	Nm	55	42	39	42	42	42	42	42	39	42
		in.lb	487	372	345	372	372	372	372	372	345	372
Emergency stop torque <sup>a) b) e)</sup> (permitted 1000 times during the service life of the gearbox)	$T_{2Not}$	Nm	80	80	80	80	80	80	80	80	80	80
		in.lb	708	708	708	708	708	708	708	708	708	708
Permitted average input speed <sup>d)</sup> (at $T_{2m}$ and 20 °C ambient temperature)	$n_{1N}$	rpm	3300	3500	3800	4000	3800	4000	4300	4600	4600	
Max. input speed	$n_{1Max}$	rpm	8000	8000	10000	10000	10000	10000	10000	10000	10000	
Mean no load running torque <sup>b)</sup> (at $n_1=3000$ rpm and 20 °C gearbox temperature)	$T_{012}$	Nm	0.24	0.2	0.13	0.11	0.12	0.11	0.09	0.09	0.08	
		in.lb	2.1	1.8	1.2	0.97	1.1	0.97	0.8	0.8	0.71	
Max. backlash	$j_l$	arcmin	≤ 8		≤ 10							
Torsional rigidity <sup>b)</sup>	$C_{121}$	Nm/arcmin	4	4	4	4	4	4	4	4	4	
		in.lb/arcmin	35	35	35	35	35	35	35	35	35	
Max. axial force <sup>c)</sup>	$F_{2AMax}$	N	1550		1550							
		lb <sub>f</sub>	349		349							
Max. lateral force <sup>c)</sup>	$F_{2QMMax}$	N	1700		1700							
		lb <sub>f</sub>	383		383							
Max. tilting moment	$M_{2KMMax}$	Nm	72		72							
		in.lb	637		637							
Efficiency at full load	$\eta$	%	97		95							
Service life	$L_h$	h	> 20000		> 20000							
Weight (incl. standard adapter plate)	m	kg	1.9		1.9							
		lb <sub>m</sub>	4.2		4.2							
Operating noise (at reference ratio and reference speed – ratio-specific values available in cymex®)	$L_{PA}$	dB(A)	≤ 59		≤ 58							
Max. permitted housing temperature		°C	+90		+90							
		°F	+194		+194							
Ambient temperature		°C	-15 to +40		-15 to +40							
		°F	+5 to +104		+5 to +104							
Lubrication			Lubricated for life									
Direction of rotation			In- and output same direction									
Protection class			IP 64									
Elastomer coupling (recommended product type – validate sizing with cymex®)			ELC-0060BA016.000-X									
Bore diameter of coupling on the application side		mm	X = 012.000 - 032.000									
Mass moment of inertia (relates to the drive) Clamping hub diameter [mm]	Z	8	$J_1$	kgcm <sup>2</sup>	-	-	0.04	0.04	0.03	0.03	0.03	0.03
				10 <sup>-3</sup> in.lb.s <sup>2</sup>	-	-	0.04	0.04	0.03	0.03	0.03	0.03
	A	9	$J_1$	kgcm <sup>2</sup>	0.22	0.18	0.04	0.04	0.03	0.03	0.03	0.03
				10 <sup>-3</sup> in.lb.s <sup>2</sup>	0.19	0.16	0.04	0.04	0.03	0.03	0.03	0.03
	B	11	$J_1$	kgcm <sup>2</sup>	0.24	0.19	0.06	0.05	0.05	0.05	0.05	0.05
				10 <sup>-3</sup> in.lb.s <sup>2</sup>	0.21	0.17	0.05	0.04	0.04	0.04	0.04	0.04
	C	14	$J_1$	kgcm <sup>2</sup>	0.32	0.27	0.14	0.14	0.14	0.13	0.13	0.14
				10 <sup>-3</sup> in.lb.s <sup>2</sup>	0.28	0.24	0.12	0.12	0.12	0.12	0.12	0.12
	D	16	$J_1$	kgcm <sup>2</sup>	0.45	0.4	-	-	-	-	-	-
				10 <sup>-3</sup> in.lb.s <sup>2</sup>	0.4	0.35	-	-	-	-	-	-
	E	19	$J_1$	kgcm <sup>2</sup>	0.53	0.48	-	-	-	-	-	-
				10 <sup>-3</sup> in.lb.s <sup>2</sup>	0.47	0.42	-	-	-	-	-	-

Please use our sizing software cymex® for a detailed sizing – [www.wittenstein-cymex.com](http://www.wittenstein-cymex.com)

<sup>a)</sup> Valid for torque transmission only

<sup>b)</sup> Valid for standard clamping hub diameter

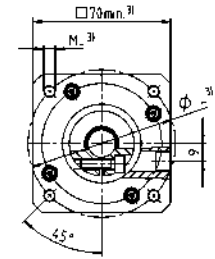
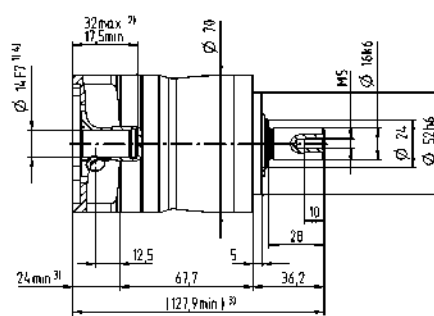
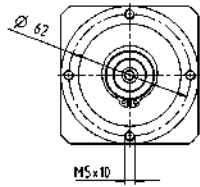
<sup>c)</sup> Refers to center of the output shaft or flange

<sup>d)</sup> Please reduce input speed at higher ambient temperatures

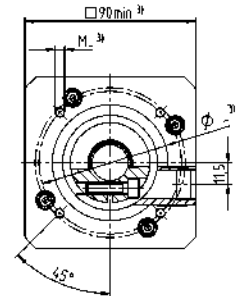
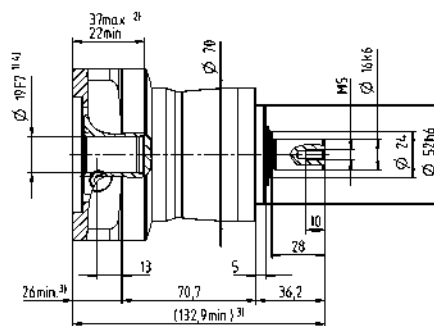
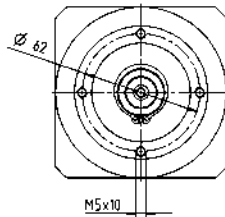
<sup>e)</sup> Valid for: Smooth shaft

# 1-stage

up to 14<sup>4)</sup> (C)<sup>5)</sup>  
clamping hub diameter

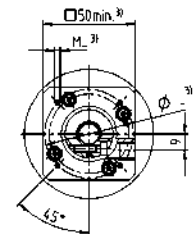
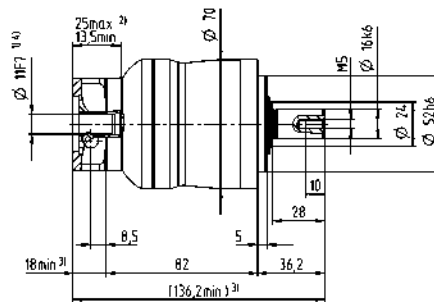
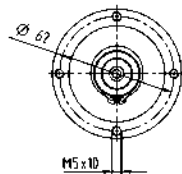


up to 19<sup>4)</sup> (E)  
clamping hub diameter

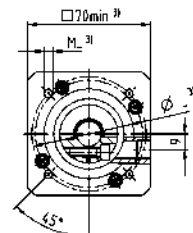
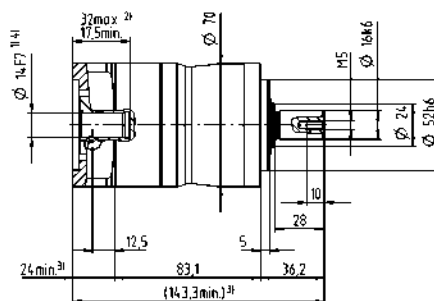
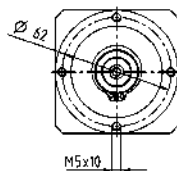


# 2-stage

up to 11<sup>4)</sup> (B)<sup>5)</sup>  
clamping hub diameter



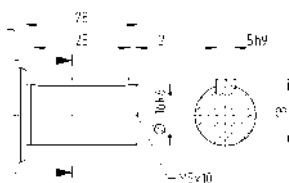
up to 14<sup>4)</sup> (C)  
clamping hub diameter



Motor shaft diameter [mm]

## Other output variants

Shaft with key



Non-tolerated dimensions are nominal dimensions

<sup>1)</sup> Check motor shaft fit

<sup>2)</sup> Min. / Max. permissible motor shaft length

Longer motor shafts are possible, please contact alpha

<sup>3)</sup> The dimensions depend on the motor

<sup>4)</sup> Smaller motor shaft diameter is compensated

by a bushing with a minimum wall thickness of 1 mm

<sup>5)</sup> Standard clamping hub diameter

# NP 025 MA 1-/2-stage

			1-stage		2-stage									
Ratio	i		3	4	9	12	15	16	20	28	30	40		
Max. torque <sup>a) b) e)</sup>	$T_{2a}$	Nm	185	185	185	185	185	185	185	185	168	185		
		in.lb	1637	1637	1637	1637	1637	1637	1637	1637	1637	1487	1637	
Max. acceleration torque <sup>e)</sup> (max. 1000 cycles per hour)	$T_{2B}$	Nm	125	115	125	125	120	115	115	115	105	115		
		in.lb	1106	1018	1106	1106	1062	1018	1018	1018	929	1018		
Emergency stop torque <sup>a) b) e)</sup> (permitted 1000 times during the service life of the gearbox)	$T_{2Not}$	Nm	190	190	190	190	190	190	190	190	190	190		
		in.lb	1682	1682	1682	1682	1682	1682	1682	1682	1682	1682		
Permitted average input speed <sup>d)</sup> (at $T_{2N}$ and 20 °C ambient temperature)	$n_{1N}$	rpm	3100	3300	3300	3500	3700	3500	3700	4000	4300	4300		
Max. input speed	$n_{1Max}$	rpm	7000	7000	8000	8000	8000	8000	8000	8000	8000	8000		
Mean no load running torque <sup>b)</sup> (at $n_1=3000$ rpm and 20 °C gearbox temperature)	$T_{012}$	Nm	0.38	0.31	0.22	0.18	0.16	0.16	0.15	0.12	0.12	0.11		
		in.lb	3.4	2.7	1.9	1.6	1.4	1.4	1.3	1.1	1.1	0.97		
Max. backlash	$j_t$	arcmin	≤ 8		≤ 10									
Torsional rigidity <sup>b)</sup>	$C_{t21}$	Nm/arcmin	12	12	12	12	12	12	12	10	12	12		
		in.lb/arcmin	106	106	106	106	106	106	106	89	106	106		
Max. axial force <sup>c)</sup>	$F_{2AMax}$	N	1900		1900									
		lb <sub>f</sub>	428		428									
Max. lateral force <sup>c)</sup>	$F_{2QMMax}$	N	2800		2800									
		lb <sub>f</sub>	630		630									
Max. tilting moment	$M_{2KMMax}$	Nm	137		137									
		in.lb	1213		1213									
Efficiency at full load	$\eta$	%	97		95									
Service life	$L_n$	h	> 20000		> 20000									
Weight (incl. standard adapter plate)	m	kg	3.8		4.1									
		lb <sub>m</sub>	8.4		9.1									
Operating noise (at reference ratio and reference speed – ratio-specific values available in cymex®)	$L_{PA}$	dB(A)	≤ 61		≤ 59									
		°C	+90		+90									
Max. permitted housing temperature		°F	+194		+194									
		°C	-15 to +40		-15 to +40									
Ambient temperature		°F	+5 to +104		+5 to +104									
			Lubricated for life											
Direction of rotation			In- and output same direction											
Protection class			IP 64											
Elastomer coupling (recommended product type – validate sizing with cymex®)			ELC-0060BA022.000-X											
Bore diameter of coupling on the application side		mm	X = 012.000 - 032.000											
Mass moment of inertia (relates to the drive) Clamping hub diameter [mm]	A	9	$J_1$	kgcm <sup>2</sup>	-	-	0.26	0.22	0.21	0.21	0.2	0.19	0.19	0.19
				10 <sup>-3</sup> in.lb.s <sup>2</sup>	-	-	0.23	0.19	0.19	0.19	0.18	0.17	0.17	0.17
	B	11	$J_1$	kgcm <sup>2</sup>	-	-	0.28	0.24	0.23	0.23	0.22	0.21	0.21	0.21
				10 <sup>-3</sup> in.lb.s <sup>2</sup>	-	-	0.25	0.21	0.2	0.2	0.19	0.19	0.19	0.19
	C	14	$J_1$	kgcm <sup>2</sup>	0.57	0.46	0.35	0.31	0.3	0.3	0.3	0.29	0.28	0.28
				10 <sup>-3</sup> in.lb.s <sup>2</sup>	0.5	0.41	0.31	0.27	0.27	0.27	0.27	0.26	0.25	0.25
	D	16	$J_1$	kgcm <sup>2</sup>	0.71	0.61	0.48	0.44	0.43	0.43	0.42	0.41	0.41	0.41
				10 <sup>-3</sup> in.lb.s <sup>2</sup>	0.63	0.54	0.42	0.39	0.38	0.38	0.37	0.36	0.36	0.36
	E	19	$J_1$	kgcm <sup>2</sup>	0.8	0.7	0.56	0.52	0.51	0.51	0.51	0.5	0.5	0.49
				10 <sup>-3</sup> in.lb.s <sup>2</sup>	0.71	0.62	0.5	0.46	0.45	0.45	0.45	0.44	0.44	0.43
	G	24	$J_1$	kgcm <sup>2</sup>	1.8	1.7	-	-	-	-	-	-	-	-
				10 <sup>-3</sup> in.lb.s <sup>2</sup>	1.6	1.5	-	-	-	-	-	-	-	-
	H	28	$J_1$	kgcm <sup>2</sup>	1.5	1.4	-	-	-	-	-	-	-	-
				10 <sup>-3</sup> in.lb.s <sup>2</sup>	1.3	1.2	-	-	-	-	-	-	-	-

Please use our sizing software cymex® for a detailed sizing – [www.wittenstein-cymex.com](http://www.wittenstein-cymex.com)

<sup>a)</sup> Valid for torque transmission only

<sup>b)</sup> Valid for standard clamping hub diameter

<sup>c)</sup> Refers to center of the output shaft or flange

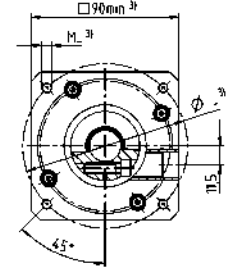
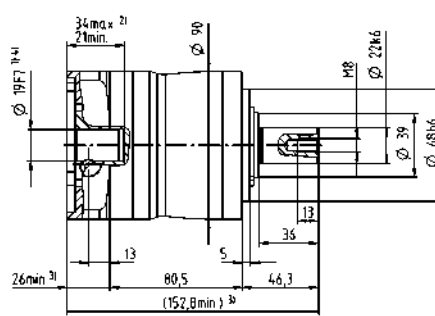
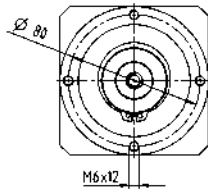
<sup>d)</sup> Please reduce input speed at higher ambient temperatures

<sup>e)</sup> Valid for: Smooth shaft

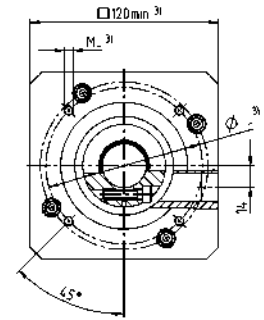
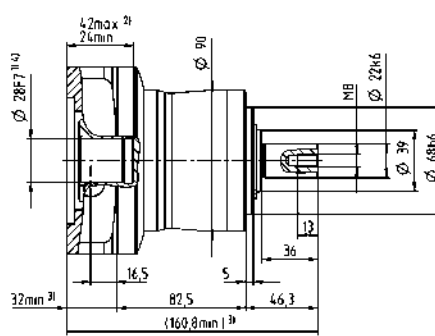
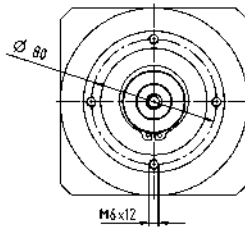


# 1-stage

up to 19<sup>4)</sup> (E)<sup>5)</sup>  
clamping hub diameter

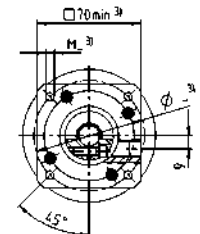
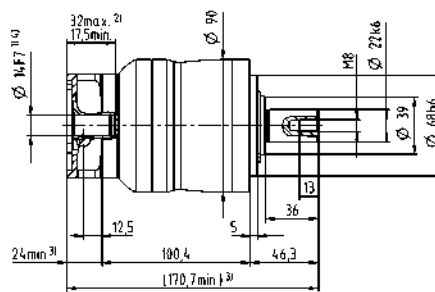
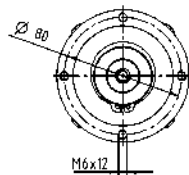


up to 28<sup>4)</sup> (H)  
clamping hub diameter

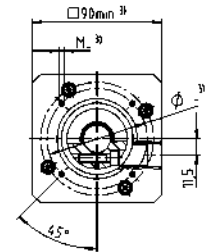
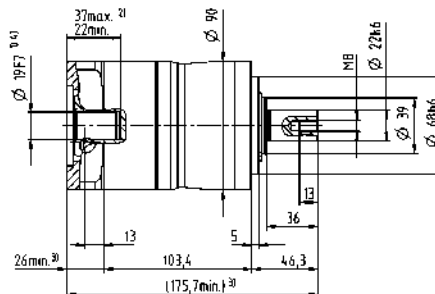
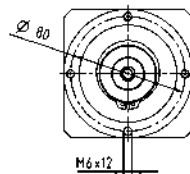


# 2-stage

up to 14<sup>4)</sup> (C)<sup>5)</sup>  
clamping hub diameter



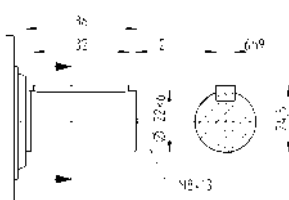
up to 19<sup>4)</sup> (E)  
clamping hub diameter



Motor shaft diameter [mm]

## Other output variants

Shaft with key



Non-tolerated dimensions are nominal dimensions

<sup>1)</sup> Check motor shaft fit

<sup>2)</sup> Min. / Max. permissible motor shaft length

Longer motor shafts are possible, please contact alpha

<sup>3)</sup> The dimensions depend on the motor

<sup>4)</sup> Smaller motor shaft diameter is compensated

by a bushing with a minimum wall thickness of 1 mm

<sup>5)</sup> Standard clamping hub diameter

# NP 035 MA 1-/2-stage

			1-stage		2-stage									
Ratio	i		3	4	9	12	15	16	20	28	30	40		
Max. torque <sup>a) b) e)</sup>	$T_{2a}$	Nm	480	480	480	480	480	480	480	480	432	480		
		in.lb	4248	4248	4248	4248	4248	4248	4248	4248	4248	3824	4248	
Max. acceleration torque <sup>e)</sup> (max. 1000 cycles per hour)	$T_{2B}$	Nm	305	305	305	305	300	305	305	305	270	305		
		in.lb	2699	2699	2699	2699	2655	2699	2699	2699	2390	2699		
Emergency stop torque <sup>a) b) e)</sup> (permitted 1000 times during the service life of the gearbox)	$T_{2Not}$	Nm	500	500	500	500	500	500	500	500	500	500		
		in.lb	4425	4425	4425	4425	4425	4425	4425	4425	4425	4425		
Permitted average input speed <sup>d)</sup> (at $T_{2a}$ and 20 °C ambient temperature)	$n_{1N}$	rpm	2300	2500	3100	3300	3400	3300	3400	3600	3900	3900		
Max. input speed	$n_{1Max}$	rpm	6000	6000	7000	7000	7000	7000	7000	7000	7000	7000		
Mean no load running torque <sup>b)</sup> (at $n_1=3000$ rpm and 20 °C gearbox temperature)	$T_{012}$	Nm	1	0.85	0.45	0.36	0.3	0.32	0.27	0.22	0.19	0.18		
		in.lb	8.9	7.5	4	3.2	2.7	2.8	2.4	1.9	1.7	1.6		
Max. backlash	$j_l$	arcmin	≤ 8		≤ 10									
Torsional rigidity <sup>b)</sup>	$C_{i21}$	Nm/arcmin	30	30	30	30	30	30	30	30	30	30		
		in.lb/arcmin	266	266	266	266	266	266	266	266	266	266		
Max. axial force <sup>c)</sup>	$F_{2AMax}$	N	4000		4000									
		lb <sub>f</sub>	900		900									
Max. lateral force <sup>c)</sup>	$F_{2QMMax}$	N	5000		5000									
		lb <sub>f</sub>	1125		1125									
Max. tilting moment	$M_{2KMMax}$	Nm	345		345									
		in.lb	3054		3054									
Efficiency at full load	$\eta$	%	97		95									
Service life	$L_n$	h	> 20000		> 20000									
Weight (incl. standard adapter plate)	m	kg	9.4		9.8									
		lb <sub>m</sub>	21		22									
Operating noise (at reference ratio and reference speed – ratio-specific values available in cymex®)	$L_{PA}$	dB(A)	≤ 65		≤ 61									
			°C		+90		+90							
Max. permitted housing temperature			°F		+194		+194							
			°C		-15 to +40		-15 to +40							
Ambient temperature			°F		+5 to +104		+5 to +104							
			Lubricated for life											
Direction of rotation		In- and output same direction												
Protection class		IP 64												
Elastomer coupling (recommended product type – validate sizing with cymex®)		ELC-0150BA032.000-X												
Bore diameter of coupling on the application side		mm	X = 019.000 - 036.000											
Mass moment of inertia (relates to the drive) Clamping hub diameter [mm]	C	14	$J_1$	kgcm <sup>2</sup>	-	-	0.61	0.6	0.6	0.43	0.42	0.37	0.52	0.36
				10 <sup>-3</sup> in.lb.s <sup>2</sup>	-	-	0.54	0.53	0.53	0.38	0.37	0.33	0.46	0.32
	D	16	$J_1$	kgcm <sup>2</sup>	-	-	0.76	0.75	0.75	0.58	0.57	0.5	0.67	0.51
				10 <sup>-3</sup> in.lb.s <sup>2</sup>	-	-	0.67	0.66	0.66	0.51	0.5	0.44	0.59	0.45
	E	19	$J_1$	kgcm <sup>2</sup>	2.6	1.7	0.85	0.83	0.83	0.67	0.66	0.6	0.75	0.6
				10 <sup>-3</sup> in.lb.s <sup>2</sup>	2.3	1.5	0.75	0.73	0.73	0.59	0.58	0.53	0.66	0.53
	G	24	$J_1$	kgcm <sup>2</sup>	3.4	2.5	1.9	1.9	1.9	1.7	1.7	1.6	1.8	1.6
				10 <sup>-3</sup> in.lb.s <sup>2</sup>	3	2.2	1.7	1.7	1.7	1.5	1.5	1.4	1.6	1.4
	H	28	$J_1$	kgcm <sup>2</sup>	3.1	2.2	1.6	1.6	1.6	1.4	1.4	1.3	0.5	1.3
				10 <sup>-3</sup> in.lb.s <sup>2</sup>	2.7	1.9	1.4	1.4	1.4	1.2	1.2	1.2	0.44	1.2
	I	32	$J_1$	kgcm <sup>2</sup>	7.2	6.3	-	-	-	-	-	-	-	-
				10 <sup>-3</sup> in.lb.s <sup>2</sup>	6.4	5.6	-	-	-	-	-	-	-	-
K	38	$J_1$	kgcm <sup>2</sup>	8.3	7.4	-	-	-	-	-	-	-	-	
			10 <sup>-3</sup> in.lb.s <sup>2</sup>	7.3	6.5	-	-	-	-	-	-	-	-	

Please use our sizing software cymex® for a detailed sizing – [www.wittenstein-cymex.com](http://www.wittenstein-cymex.com)

<sup>a)</sup> Valid for torque transmission only

<sup>b)</sup> Valid for standard clamping hub diameter

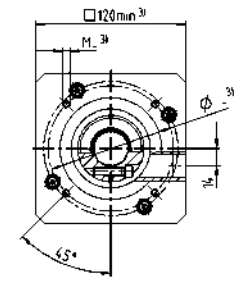
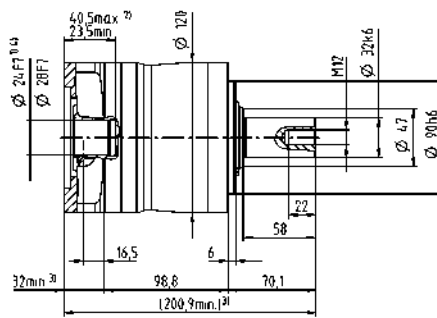
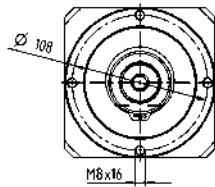
<sup>c)</sup> Refers to center of the output shaft or flange

<sup>d)</sup> Please reduce input speed at higher ambient temperatures

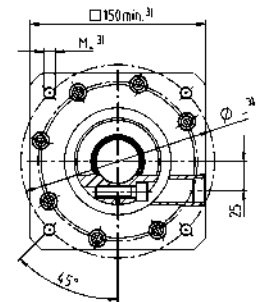
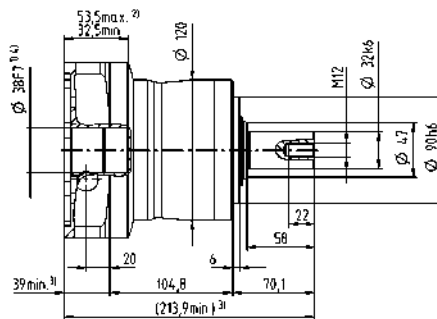
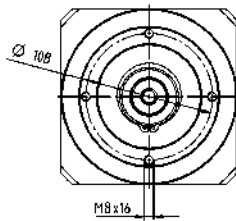
<sup>e)</sup> Valid for: Smooth shaft

# 1-stage

up to 24<sup>4)</sup> (G<sup>5)</sup>/H)  
clamping hub diameter

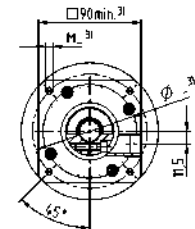
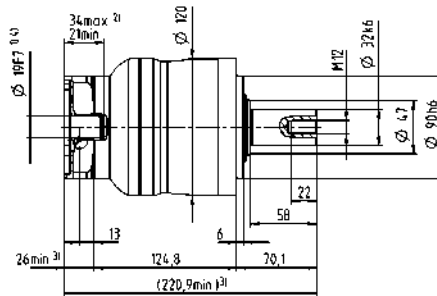
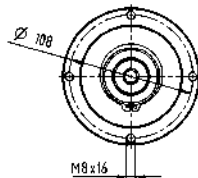


up to 38<sup>4)</sup> (K)  
clamping hub diameter

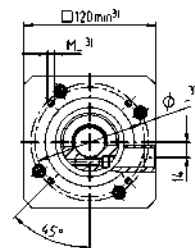
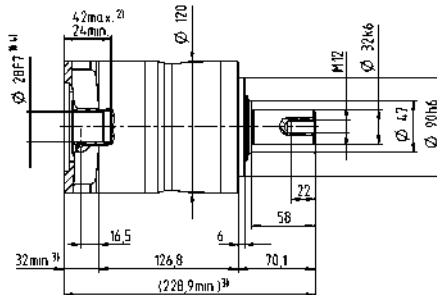
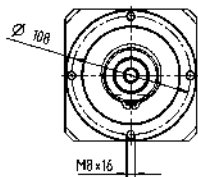


# 2-stage

up to 19<sup>4)</sup> (E)<sup>5)</sup>  
clamping hub diameter



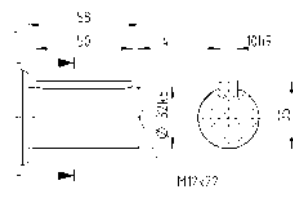
up to 28<sup>4)</sup> (H)  
clamping hub diameter



Motor shaft diameter [mm]

## Other output variants

Shaft with key



Non-tolerated dimensions are nominal dimensions

<sup>1)</sup> Check motor shaft fit

<sup>2)</sup> Min. / Max. permissible motor shaft length

Longer motor shafts are possible, please contact alpha

<sup>3)</sup> The dimensions depend on the motor

<sup>4)</sup> Smaller motor shaft diameter is compensated

by a bushing with a minimum wall thickness of 1 mm

<sup>5)</sup> Standard clamping hub diameter

# NPL 015 MF 1-stage

			1-stage							
Ratio	i		3	4	5	7	8	10		
Max. torque <sup>a) b) e)</sup>	$T_{2a}$	Nm	51	56	64	64	56	56		
		in.lb	451	496	566	566	496	496		
Max. acceleration torque <sup>e)</sup> (max. 1000 cycles per hour)	$T_{2B}$	Nm	32	35	40	40	35	35		
		in.lb	283	310	354	354	310	310		
Emergency stop torque <sup>a) b) e)</sup> (permitted 1000 times during the service life of the gearbox)	$T_{2Not}$	Nm	80	80	80	80	80	80		
		in.lb	708	708	708	708	708	708		
Permitted average input speed <sup>d)</sup> (at $T_{2N}$ and 20 °C ambient temperature)	$n_{1N}$	rpm	2900	3100	3300	3600	3600	3800		
Max. input speed	$n_{1Max}$	rpm	8000	8000	8000	8000	8000	8000		
Mean no load running torque <sup>b)</sup> (at $n_1=3000$ rpm and 20 °C gearbox temperature)	$T_{012}$	Nm	0.92	0.74	0.62	0.51	0.47	0.41		
		in.lb	8.1	6.5	5.5	4.5	4.2	3.6		
Max. backlash	$j_l$	arcmin	≤ 8							
Torsional rigidity <sup>b)</sup>	$C_{i21}$	Nm/arcmin	3.3	3.3	3.3	3.3	2.8	2.8		
		in.lb/arcmin	29	29	29	29	25	25		
Max. axial force <sup>c)</sup>	$F_{2AMax}$	N	2400							
		lb <sub>f</sub>	540							
Max. lateral force <sup>c)</sup>	$F_{2QMMax}$	N	2800							
		lb <sub>f</sub>	630							
Max. tilting moment	$M_{2KMMax}$	Nm	152							
		in.lb	1345							
Efficiency at full load	$\eta$	%	97							
Service life	$L_n$	h	> 20000							
Weight (incl. standard adapter plate)	m	kg	1.9							
		lb <sub>m</sub>	4.2							
Operating noise (at reference ratio and reference speed – ratio-specific values available in cymex <sup>®</sup> )	$L_{PA}$	dB(A)	≤ 59							
Max. permitted housing temperature		°C	+90							
		°F	+194							
Ambient temperature		°C	-15 to +40							
		°F	+5 to +104							
Lubrication			Lubricated for life							
Direction of rotation			In- and output same direction							
Protection class			IP 65							
Elastomer coupling (recommended product type – validate sizing with cymex <sup>®</sup> )			ELC-0060BA016.000-X							
Bore diameter of coupling on the application side		mm	X = 012.000 - 032.000							
Mass moment of inertia (relates to the drive) Clamping hub diameter [mm]	A	9	$J_1$	kgcm <sup>2</sup>	0.25	0.19	0.17	0.14	0.14	0.13
				10 <sup>-3</sup> in.lb.s <sup>2</sup>	0.22	0.17	0.15	0.12	0.12	0.12
	B	11	$J_1$	kgcm <sup>2</sup>	0.26	0.21	0.18	0.16	0.16	0.15
				10 <sup>-3</sup> in.lb.s <sup>2</sup>	0.23	0.19	0.16	0.14	0.14	0.13
	C	14	$J_1$	kgcm <sup>2</sup>	0.34	0.28	0.26	0.24	0.23	0.23
				10 <sup>-3</sup> in.lb.s <sup>2</sup>	0.3	0.25	0.23	0.21	0.2	0.2
	D	16	$J_1$	kgcm <sup>2</sup>	0.47	0.41	0.39	0.36	0.36	0.35
				10 <sup>-3</sup> in.lb.s <sup>2</sup>	0.42	0.36	0.35	0.32	0.32	0.31
	E	19	$J_1$	kgcm <sup>2</sup>	0.55	0.49	0.47	0.45	0.44	0.44
				10 <sup>-3</sup> in.lb.s <sup>2</sup>	0.49	0.43	0.42	0.4	0.39	0.39

Please use our sizing software cymex<sup>®</sup> for a detailed sizing – [www.wittenstein-cymex.com](http://www.wittenstein-cymex.com)

<sup>a)</sup> Valid for torque transmission only

<sup>b)</sup> Valid for standard clamping hub diameter

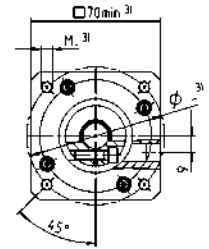
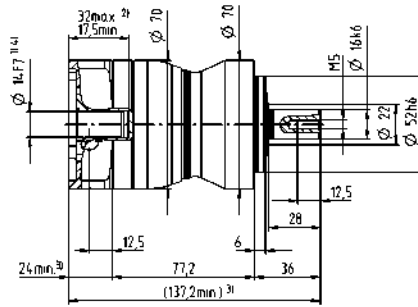
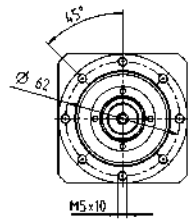
<sup>c)</sup> Refers to center of the output shaft or flange

<sup>d)</sup> Please reduce input speed at higher ambient temperatures

<sup>e)</sup> Valid for: Smooth shaft

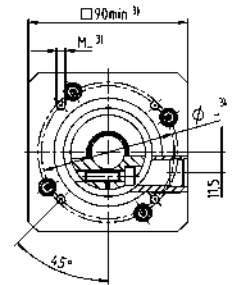
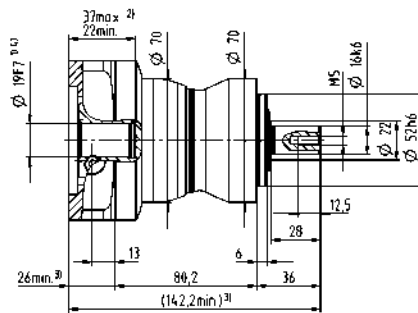
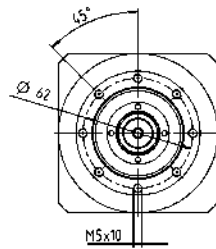
# 1-stage

up to 14<sup>4)</sup> (C)<sup>5)</sup>  
clamping hub diameter



Motor shaft diameter [mm]

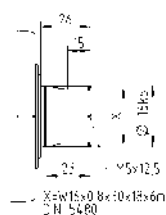
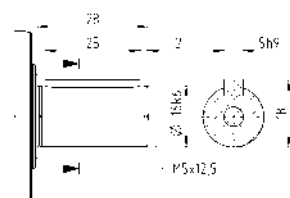
up to 19<sup>4)</sup> (E)  
clamping hub diameter



## Other output variants

Shaft with key

Splined shaft (DIN 5480)



Non-tolerated dimensions are nominal dimensions

<sup>1)</sup> Check motor shaft fit

<sup>2)</sup> Min. / Max. permissible motor shaft length

Longer motor shafts are possible, please contact alpha

<sup>3)</sup> The dimensions depend on the motor

<sup>4)</sup> Smaller motor shaft diameter is compensated

by a bushing with a minimum wall thickness of 1 mm

<sup>5)</sup> Standard clamping hub diameter

# NPL 015 MF 2-stage

			2-stage														
Ratio	i		12	15	16	20	25	28	30	32	35	40	50	64	70	100	
Max. torque <sup>a) b) e)</sup>	$T_{2a}$	Nm	51	51	56	56	64	56	51	56	64	56	64	56	64	56	
		in.lb	451	451	496	496	566	496	451	496	566	496	566	496	566	496	566
Max. acceleration torque <sup>e)</sup> (max. 1000 cycles per hour)	$T_{2B}$	Nm	32	32	35	35	40	35	32	35	40	35	40	35	40	35	
		in.lb	283	283	310	310	354	310	283	310	354	310	354	310	354	310	
Emergency stop torque <sup>a) b) e)</sup> (permitted 1000 times during the service life of the gearbox)	$T_{2Not}$	Nm	80	80	80	80	80	80	80	80	80	80	80	80	80	80	
		in.lb	708	708	708	708	708	708	708	708	708	708	708	708	708	708	
Permitted average input speed <sup>d)</sup> (at $T_{2a}$ and 20 °C ambient temperature)	$n_{1N}$	rpm	3800	4000	3800	4000	4000	4300	4600	4400	4300	4600	4600	4400	4600	4600	
Max. input speed	$n_{1Max}$	rpm	10000	10000	10000	10000	10000	10000	10000	10000	10000	10000	10000	10000	10000	10000	
Mean no load running torque <sup>b)</sup> (at $n_1=3000$ rpm and 20 °C gearbox temperature)	$T_{012}$	Nm	0.34	0.29	0.29	0.25	0.23	0.21	0.21	0.2	0.2	0.19	0.17	0.17	0.16	0.15	
		in.lb	3	2.6	2.6	2.2	2	1.9	1.9	1.8	1.8	1.7	1.5	1.5	1.4	1.3	
Max. backlash	$j_l$	arcmin	≤ 10														
Torsional rigidity <sup>b)</sup>	$C_{i21}$	Nm/arcmin	3.3	3.3	3.3	3.3	3.3	3.3	3.3	3.3	3.3	3.3	3.3	2.8	3.3	2.8	
		in.lb/arcmin	29	29	29	29	29	29	29	29	29	29	29	29	25	29	25
Max. axial force <sup>c)</sup>	$F_{2AMax}$	N	2400														
		lb <sub>f</sub>	540														
Max. lateral force <sup>c)</sup>	$F_{2QMMax}$	N	2800														
		lb <sub>f</sub>	630														
Max. tilting moment	$M_{2KMMax}$	Nm	152														
		in.lb	1345														
Efficiency at full load	$\eta$	%	95														
Service life	$L_n$	h	> 20000														
Weight (incl. standard adapter plate)	m	kg	2														
		lb <sub>m</sub>	4.4														
Operating noise (at reference ratio and reference speed – ratio-specific values available in cymex <sup>®</sup> )	$L_{PA}$	dB(A)	≤ 58														
Max. permitted housing temperature		°C	+90														
		°F	+194														
Ambient temperature		°C	-15 to +40														
		°F	+5 to +104														
Lubrication			Lubricated for life														
Direction of rotation			In- and output same direction														
Protection class			IP 65														
Elastomer coupling (recommended product type – validate sizing with cymex <sup>®</sup> )			ELC-0060BA016.000-X														
Bore diameter of coupling on the application side		mm	X = 012.000 - 032.000														
Mass moment of inertia (relates to the drive) Clamping hub diameter [mm]	Z	8	$J_1$	kgcm <sup>2</sup>	0.04	0.04	0.03	0.03	0.03	0.03	0.03	0.03	0.03	0.02	0.02	0.02	0.02
				10 <sup>-3</sup> in.lb.s <sup>2</sup>	0.04	0.04	0.03	0.03	0.03	0.03	0.03	0.03	0.03	0.03	0.02	0.02	0.02
	A	9	$J_1$	kgcm <sup>2</sup>	0.04	0.04	0.03	0.03	0.03	0.03	0.03	0.03	0.03	0.02	0.02	0.02	0.02
				10 <sup>-3</sup> in.lb.s <sup>2</sup>	0.04	0.04	0.03	0.03	0.03	0.03	0.03	0.03	0.03	0.03	0.02	0.02	0.02
	B	11	$J_1$	kgcm <sup>2</sup>	0.06	0.06	0.05	0.05	0.05	0.05	0.05	0.04	0.05	0.04	0.04	0.04	
				10 <sup>-3</sup> in.lb.s <sup>2</sup>	0.05	0.05	0.04	0.04	0.04	0.04	0.04	0.04	0.04	0.04	0.04	0.04	0.04
	C	14	$J_1$	kgcm <sup>2</sup>	0.14	0.14	0.14	0.13	0.13	0.13	0.14	0.13	0.13	0.13	0.13	0.13	
				10 <sup>-3</sup> in.lb.s <sup>2</sup>	0.12	0.12	0.12	0.12	0.12	0.12	0.12	0.12	0.12	0.12	0.12	0.12	0.12

Please use our sizing software cymex<sup>®</sup> for a detailed sizing – [www.wittenstein-cymex.com](http://www.wittenstein-cymex.com)

<sup>a)</sup> Valid for torque transmission only

<sup>b)</sup> Valid for standard clamping hub diameter

<sup>c)</sup> Refers to center of the output shaft or flange

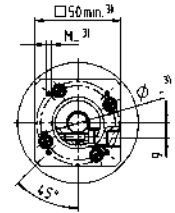
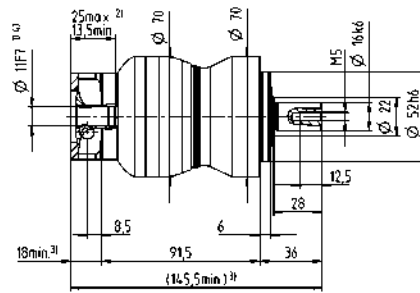
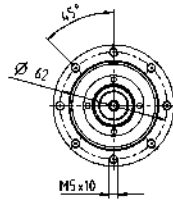
<sup>d)</sup> Please reduce input speed at higher ambient temperatures

<sup>e)</sup> Valid for: Smooth shaft

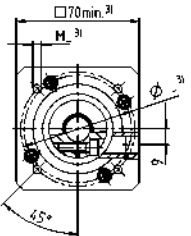
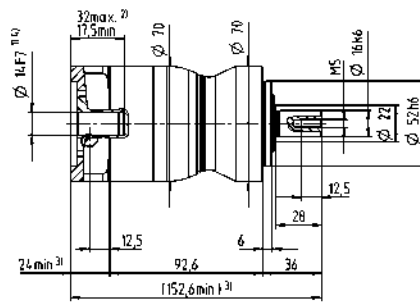
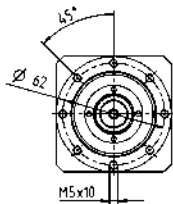
# 2-stage

Motor shaft diameter [mm]

up to 11<sup>4)</sup> (B)<sup>5)</sup>  
clamping hub diameter



up to 14<sup>4)</sup> (C)  
clamping hub diameter

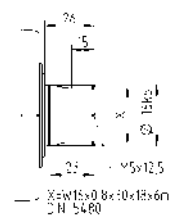
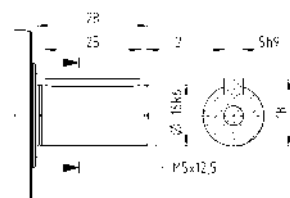


Planetary Gearboxes  
Value Line

## Other output variants

Shaft with key

Splined shaft (DIN 5480)



Non-tolerated dimensions are nominal dimensions

<sup>1)</sup> Check motor shaft fit

<sup>2)</sup> Min. / Max. permissible motor shaft length

Longer motor shafts are possible, please contact alpha

<sup>3)</sup> The dimensions depend on the motor

<sup>4)</sup> Smaller motor shaft diameter is compensated

by a bushing with a minimum wall thickness of 1 mm

<sup>5)</sup> Standard clamping hub diameter

# NPL 025 MF 1-stage

			1-stage							
Ratio	i		3	4	5	7	8	10		
Max. torque <sup>a) b) e)</sup>	$T_{2a}$	Nm	128	152	160	160	144	144		
		in.lb	1133	1345	1416	1416	1275	1275		
Max. acceleration torque <sup>e)</sup> (max. 1000 cycles per hour)	$T_{2B}$	Nm	80	95	100	100	90	90		
		in.lb	708	841	885	885	797	797		
Emergency stop torque <sup>a) b) e)</sup> (permitted 1000 times during the service life of the gearbox)	$T_{2Not}$	Nm	190	190	190	190	190	190		
		in.lb	1682	1682	1682	1682	1682	1682		
Permitted average input speed <sup>d)</sup> (at $T_{2N}$ and 20 °C ambient temperature)	$n_{1N}$	rpm	2700	2900	3000	3200	3300	3500		
Max. input speed	$n_{1Max}$	rpm	7000	7000	7000	7000	7000	7000		
Mean no load running torque <sup>b)</sup> (at $n_1=3000$ rpm and 20 °C gearbox temperature)	$T_{012}$	Nm	1.8	1.5	1.3	1.1	1	0.94		
		in.lb	16	13	12	9.7	8.9	8.3		
Max. backlash	$j_l$	arcmin	≤ 8							
Torsional rigidity <sup>b)</sup>	$C_{t21}$	Nm/arcmin	9.5	9.5	9.5	9.5	8.5	8.5		
		in.lb/arcmin	84	84	84	84	75	75		
Max. axial force <sup>c)</sup>	$F_{2AMax}$	N	3350							
		lb <sub>f</sub>	754							
Max. lateral force <sup>c)</sup>	$F_{2QMMax}$	N	4200							
		lb <sub>f</sub>	945							
Max. tilting moment	$M_{2KMMax}$	Nm	236							
		in.lb	2089							
Efficiency at full load	$\eta$	%	97							
Service life	$L_n$	h	> 20000							
Weight (incl. standard adapter plate)	m	kg	3.9							
		lb <sub>m</sub>	8.6							
Operating noise (at reference ratio and reference speed – ratio-specific values available in cymex <sup>®</sup> )	$L_{PA}$	dB(A)	≤ 61							
Max. permitted housing temperature		°C	+90							
		°F	+194							
Ambient temperature		°C	-15 to +40							
		°F	+5 to +104							
Lubrication			Lubricated for life							
Direction of rotation			In- and output same direction							
Protection class			IP 65							
Elastomer coupling (recommended product type – validate sizing with cymex <sup>®</sup> )			ELC-0060BA022.000-X							
Bore diameter of coupling on the application side		mm	X = 012.000 - 032.000							
Mass moment of inertia (relates to the drive) Clamping hub diameter [mm]	C	14	$J_1$	kgcm <sup>2</sup>	0.58	0.47	0.38	0.3	0.28	0.26
				10 <sup>-3</sup> in.lb.s <sup>2</sup>	0.51	0.42	0.34	0.27	0.25	0.23
	D	16	$J_1$	kgcm <sup>2</sup>	0.73	0.62	0.53	0.43	0.42	0.4
				10 <sup>-3</sup> in.lb.s <sup>2</sup>	0.65	0.55	0.47	0.38	0.37	0.35
	E	19	$J_1$	kgcm <sup>2</sup>	0.81	0.71	0.61	0.53	0.51	0.49
				10 <sup>-3</sup> in.lb.s <sup>2</sup>	0.72	0.63	0.54	0.47	0.45	0.43
	G	24	$J_1$	kgcm <sup>2</sup>	1.8	1.7	1.6	1.6	1.5	1.5
				10 <sup>-3</sup> in.lb.s <sup>2</sup>	1.6	1.5	1.4	1.4	1.3	1.3
	H	28	$J_1$	kgcm <sup>2</sup>	1.6	1.4	1.4	1.3	1.3	1.2
				10 <sup>-3</sup> in.lb.s <sup>2</sup>	1.4	1.2	1.2	1.2	1.2	1.1

Please use our sizing software cymex<sup>®</sup> for a detailed sizing – [www.wittenstein-cymex.com](http://www.wittenstein-cymex.com)

<sup>a)</sup> Valid for torque transmission only

<sup>b)</sup> Valid for standard clamping hub diameter

<sup>c)</sup> Refers to center of the output shaft or flange

<sup>d)</sup> Please reduce input speed at higher ambient temperatures

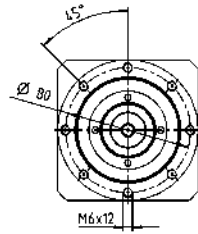
<sup>e)</sup> Valid for: Smooth shaft



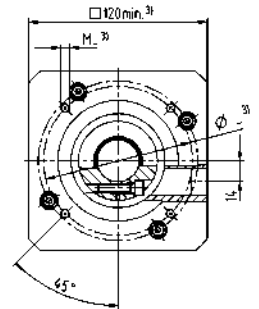
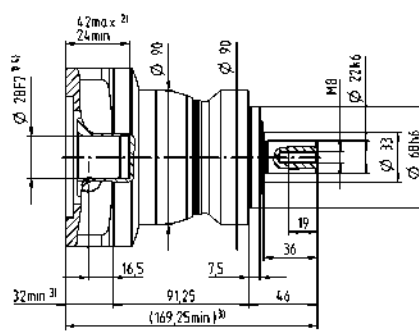
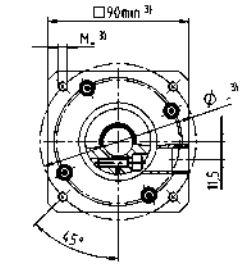
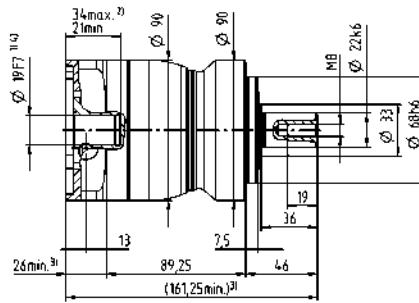
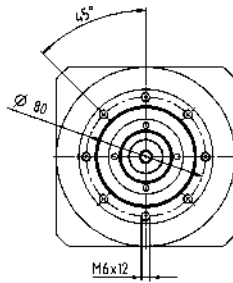
# 1-stage

Motor shaft diameter [mm]

up to 19<sup>4)</sup> (E)<sup>5)</sup>  
clamping hub diameter



up to 28<sup>4)</sup> (H)  
clamping hub diameter

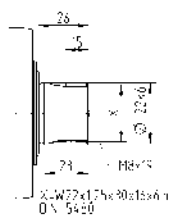
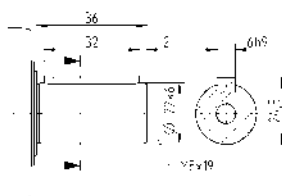


Planetary Gearboxes  
Value Line

## Other output variants

Shaft with key

Splined shaft (DIN 5480)



Non-tolerated dimensions are nominal dimensions

<sup>1)</sup> Check motor shaft fit

<sup>2)</sup> Min. / Max. permissible motor shaft length

Longer motor shafts are possible, please contact alpha

<sup>3)</sup> The dimensions depend on the motor

<sup>4)</sup> Smaller motor shaft diameter is compensated

by a bushing with a minimum wall thickness of 1 mm

<sup>5)</sup> Standard clamping hub diameter

# NPL 025 MF 2-stage

			2-stage															
Ratio	i		9	12	15	16	20	25	28	30	32	35	40	50	64	70	100	
Max. torque <sup>a) b) e)</sup>	$T_{2a}$	Nm	128	128	128	152	152	160	152	128	144	160	152	160	144	160	144	
		in.lb	1133	1133	1133	1345	1345	1416	1345	1133	1275	1416	1345	1416	1275	1416	1275	
Max. acceleration torque <sup>e)</sup> (max. 1000 cycles per hour)	$T_{2B}$	Nm	80	80	80	95	95	100	95	80	90	100	95	100	90	100	90	
		in.lb	708	708	708	841	841	885	841	708	797	885	841	885	797	885	797	
Emergency stop torque <sup>a) b) e)</sup> (permitted 1000 times during the service life of the gearbox)	$T_{2Not}$	Nm	190	190	190	190	190	190	190	190	190	190	190	190	190	190	190	
		in.lb	1682	1682	1682	1682	1682	1682	1682	1682	1682	1682	1682	1682	1682	1682	1682	
Permitted average input speed <sup>d)</sup> (at $T_{2N}$ and 20 °C ambient temperature)	$n_{1N}$	rpm	2900	3500	3700	3500	3700	3700	4000	4300	4100	4000	4300	4300	4100	4300	4300	
Max. input speed	$n_{1Max}$	rpm	8000	8000	8000	8000	8000	8000	8000	8000	8000	8000	8000	8000	8000	8000	8000	
Mean no load running torque <sup>b)</sup> (at $n_1=3000$ rpm and 20 °C gearbox temperature)	$T_{012}$	Nm	0.67	0.55	0.47	0.46	0.4	0.36	0.34	0.33	0.32	0.31	0.29	0.27	0.25	0.25	0.23	
		in.lb	5.9	4.9	4.2	4.1	3.5	3.2	3	2.9	2.8	2.7	2.6	2.4	2.2	2.2	2	
Max. backlash	$j_l$	arcmin	≤ 10															
Torsional rigidity <sup>b)</sup>	$C_{121}$	Nm/arcmin	10	10	10	10	10	9.5	10	10	10	9.5	10	9.5	8.5	9.5	8.5	
		in.lb/arcmin	89	89	89	89	89	84	89	89	89	84	89	84	75	84	75	
Max. axial force <sup>c)</sup>	$F_{2AMax}$	N	3350															
		lb <sub>f</sub>	754															
Max. lateral force <sup>c)</sup>	$F_{2QMMax}$	N	4200															
		lb <sub>f</sub>	945															
Max. tilting moment	$M_{2KMMax}$	Nm	236															
		in.lb	2089															
Efficiency at full load	$\eta$	%	95															
Service life	$L_n$	h	> 20000															
Weight (incl. standard adapter plate)	m	kg	4.2															
		lb <sub>m</sub>	9.3															
Operating noise (at reference ratio and reference speed – ratio-specific values available in cymex <sup>®</sup> )	$L_{PA}$	dB(A)	≤ 59															
Max. permitted housing temperature		°C	+90															
		°F	+194															
Ambient temperature		°C	-15 to +40															
		°F	+5 to +104															
Lubrication			Lubricated for life															
Direction of rotation			In- and output same direction															
Protection class			IP 65															
Elastomer coupling (recommended product type – validate sizing with cymex <sup>®</sup> )			ELC-0060BA022.000-X															
Bore diameter of coupling on the application side		mm	X = 012.000 - 032.000															
Mass moment of inertia (relates to the drive) Clamping hub diameter [mm]	A	9	$J_1$	kgcm <sup>2</sup>	0.26	0.22	0.21	0.21	0.2	0.2	0.19	0.19	0.19	0.19	0.19	0.19	0.19	
				10 <sup>-3</sup> in.lb.s <sup>2</sup>	0.23	0.19	0.19	0.19	0.18	0.18	0.17	0.17	0.17	0.17	0.17	0.17	0.17	0.17
	B	11	$J_1$	kgcm <sup>2</sup>	0.28	0.24	0.23	0.23	0.22	0.22	0.21	0.21	0.21	0.21	0.21	0.21	0.21	
				10 <sup>-3</sup> in.lb.s <sup>2</sup>	0.25	0.21	0.2	0.2	0.19	0.19	0.19	0.19	0.19	0.19	0.19	0.19	0.19	
	C	14	$J_1$	kgcm <sup>2</sup>	0.35	0.31	0.3	0.3	0.3	0.29	0.29	0.28	0.28	0.28	0.28	0.28	0.28	
				10 <sup>-3</sup> in.lb.s <sup>2</sup>	0.31	0.27	0.27	0.27	0.27	0.26	0.26	0.25	0.25	0.25	0.25	0.25	0.25	0.25
	D	16	$J_1$	kgcm <sup>2</sup>	0.48	0.44	0.43	0.43	0.42	0.42	0.41	0.41	0.41	0.41	0.41	0.41	0.41	0.41
				10 <sup>-3</sup> in.lb.s <sup>2</sup>	0.42	0.39	0.38	0.38	0.37	0.37	0.36	0.36	0.36	0.36	0.36	0.36	0.36	0.36
	E	19	$J_1$	kgcm <sup>2</sup>	0.56	0.52	0.51	0.52	0.51	0.5	0.5	0.5	0.5	0.5	0.49	0.49	0.49	0.49
				10 <sup>-3</sup> in.lb.s <sup>2</sup>	0.5	0.46	0.45	0.46	0.45	0.44	0.44	0.44	0.44	0.44	0.43	0.43	0.43	0.43

Please use our sizing software cymex<sup>®</sup> for a detailed sizing – [www.wittenstein-cymex.com](http://www.wittenstein-cymex.com)

<sup>a)</sup> Valid for torque transmission only

<sup>b)</sup> Valid for standard clamping hub diameter

<sup>c)</sup> Refers to center of the output shaft or flange

<sup>d)</sup> Please reduce input speed at higher ambient temperatures

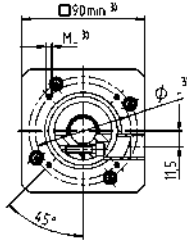
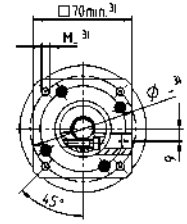
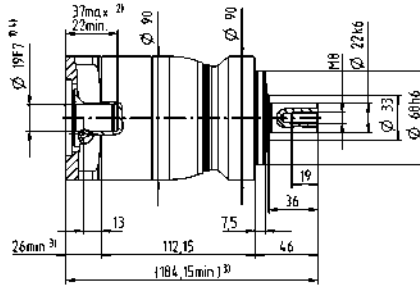
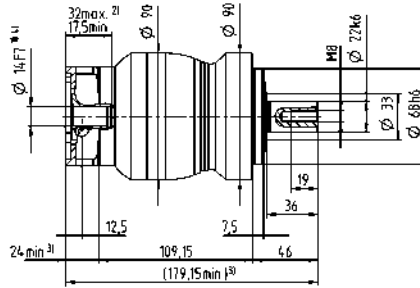
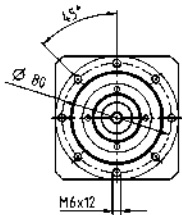
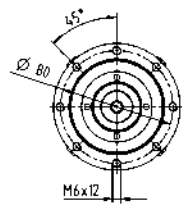
<sup>e)</sup> Valid for: Smooth shaft

# 2-stage

Motor shaft diameter [mm]

up to 14<sup>4)</sup> (C)<sup>5)</sup>  
clamping hub diameter

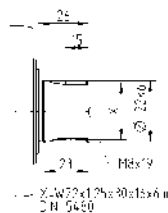
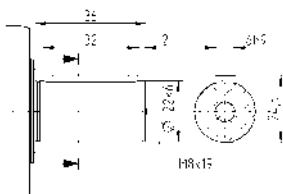
up to 19<sup>4)</sup> (E)  
clamping hub diameter



## Other output variants

Shaft with key

Splined shaft (DIN 5480)



Non-tolerated dimensions are nominal dimensions

<sup>1)</sup> Check motor shaft fit

<sup>2)</sup> Min. / Max. permissible motor shaft length

Longer motor shafts are possible, please contact alpha

<sup>3)</sup> The dimensions depend on the motor

<sup>4)</sup> Smaller motor shaft diameter is compensated

by a bushing with a minimum wall thickness of 1 mm

<sup>5)</sup> Standard clamping hub diameter

# NPL 035 MF 1-stage

			1-stage							
Ratio	i		3	4	5	7	8	10		
Max. torque <sup>a) b) e)</sup>	$T_{2a}$	Nm	320	408	400	400	352	352		
		in.lb	2832	3611	3540	3540	3115	3115		
Max. acceleration torque <sup>e)</sup> (max. 1000 cycles per hour)	$T_{2B}$	Nm	200	255	250	250	220	220		
		in.lb	1770	2257	2213	2213	1947	1947		
Emergency stop torque <sup>a) b) e)</sup> (permitted 1000 times during the service life of the gearbox)	$T_{2Not}$	Nm	500	500	500	500	500	500		
		in.lb	4425	4425	4425	4425	4425	4425		
Permitted average input speed <sup>d)</sup> (at $T_{2a}$ and 20 °C ambient temperature)	$n_{1N}$	rpm	2000	2200	2300	2500	2600	2700		
Max. input speed	$n_{1Max}$	rpm	6000	6000	6000	6000	6000	6000		
Mean no load running torque <sup>b)</sup> (at $n_1=3000$ rpm and 20 °C gearbox temperature)	$T_{012}$	Nm	3.3	2.7	2.3	1.9	1.7	1.5		
		in.lb	29	24	20	17	15	13		
Max. backlash	$j_l$	arcmin	≤ 8							
Torsional rigidity <sup>b)</sup>	$C_{i21}$	Nm/arcmin	25	25	25	25	22	22		
		in.lb/arcmin	221	221	221	221	195	195		
Max. axial force <sup>c)</sup>	$F_{2AMax}$	N	5650							
		lb <sub>f</sub>	1271							
Max. lateral force <sup>c)</sup>	$F_{2QMMax}$	N	6600							
		lb <sub>f</sub>	1485							
Max. tilting moment	$M_{2KMMax}$	Nm	487							
		in.lb	4310							
Efficiency at full load	$\eta$	%	97							
Service life	$L_n$	h	> 20000							
Weight (incl. standard adapter plate)	m	kg	9.1							
		lb <sub>m</sub>	20							
Operating noise (at reference ratio and reference speed – ratio-specific values available in cymex <sup>®</sup> )	$L_{PA}$	dB(A)	≤ 65							
Max. permitted housing temperature		°C	+90							
		°F	+194							
Ambient temperature		°C	-15 to +40							
		°F	+5 to +104							
Lubrication			Lubricated for life							
Direction of rotation			In- and output same direction							
Protection class			IP 65							
Elastomer coupling (recommended product type – validate sizing with cymex <sup>®</sup> )			ELC-0150BA032.000-X							
Bore diameter of coupling on the application side		mm	X = 019.000 - 036.000							
Mass moment of inertia (relates to the drive) Clamping hub diameter [mm]	E	19	$J_1$	kgcm <sup>2</sup>	2.5	1.7	1.3	1	0.94	0.87
				10 <sup>-3</sup> in.lb.s <sup>2</sup>	2.2	1.5	1.2	0.89	0.83	0.77
	G	24	$J_1$	kgcm <sup>2</sup>	3.3	2.4	2.1	1.8	1.7	1.6
				10 <sup>-3</sup> in.lb.s <sup>2</sup>	2.9	2.1	1.9	1.6	1.5	1.4
	H	28	$J_1$	kgcm <sup>2</sup>	3	2.2	1.8	1.5	1.4	1.4
				10 <sup>-3</sup> in.lb.s <sup>2</sup>	2.7	1.9	1.6	1.3	1.2	1.2
	I	32	$J_1$	kgcm <sup>2</sup>	7.1	6.2	5.9	5.6	5.5	5.4
				10 <sup>-3</sup> in.lb.s <sup>2</sup>	6.3	5.5	5.2	5	4.9	4.8
	K	38	$J_1$	kgcm <sup>2</sup>	8.3	7.4	7.1	6.7	6.6	6.6
				10 <sup>-3</sup> in.lb.s <sup>2</sup>	7.3	6.5	6.3	5.9	5.8	5.8

Please use our sizing software cymex<sup>®</sup> for a detailed sizing – [www.wittenstein-cymex.com](http://www.wittenstein-cymex.com)

<sup>a)</sup> Valid for torque transmission only

<sup>b)</sup> Valid for standard clamping hub diameter

<sup>c)</sup> Refers to center of the output shaft or flange

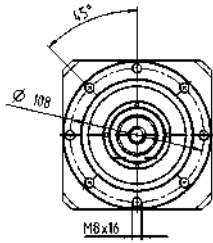
<sup>d)</sup> Please reduce input speed at higher ambient temperatures

<sup>e)</sup> Valid for: Smooth shaft

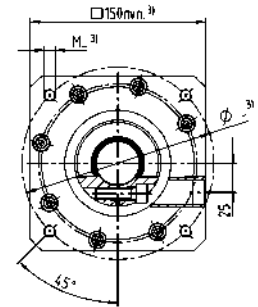
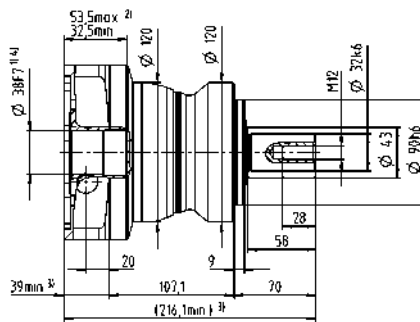
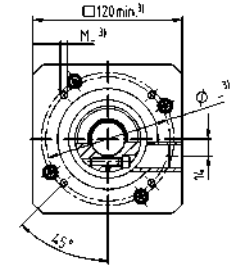
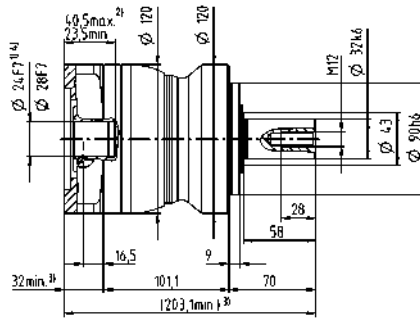
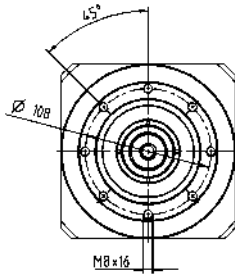
# 1-stage

Motor shaft diameter [mm]

up to 24/28<sup>4)</sup>  
(G<sup>5)</sup>/H)  
clamping hub diameter



up to 38<sup>4)</sup> (K)  
clamping hub diameter

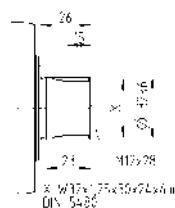
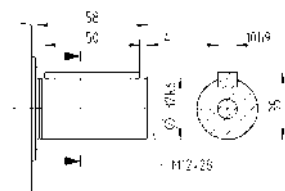


Planetary Gearboxes  
Value Line

## Other output variants

Shaft with key

Splined shaft (DIN 5480)



Non-tolerated dimensions are nominal dimensions

<sup>1)</sup> Check motor shaft fit

<sup>2)</sup> Min. / Max. permissible motor shaft length

Longer motor shafts are possible, please contact alpha

<sup>3)</sup> The dimensions depend on the motor

<sup>4)</sup> Smaller motor shaft diameter is compensated

by a bushing with a minimum wall thickness of 1 mm

<sup>5)</sup> Standard clamping hub diameter

# NPL 035 MF 2-stage

			2-stage																
Ratio	i		9	12	15	16	20	25	28	30	32	35	40	50	64	70	100		
Max. torque <sup>a) b) e)</sup>	$T_{2a}$	Nm	320	320	320	408	408	400	408	320	408	400	408	400	352	400	352		
		in.lb	2832	2832	2832	3611	3611	3540	3611	2832	3611	3540	3611	3540	3115	3540	3115		
Max. acceleration torque <sup>e)</sup> (max. 1000 cycles per hour)	$T_{2B}$	Nm	200	200	200	255	255	250	255	200	255	250	255	250	220	250	220		
		in.lb	1770	1770	1770	2257	2257	2213	2257	1770	2257	2213	2257	2213	1947	2213	1947		
Emergency stop torque <sup>a) b) e)</sup> (permitted 1000 times during the service life of the gearbox)	$T_{2Not}$	Nm	500	500	500	500	500	500	500	500	500	500	500	500	500	500	500		
		in.lb	4425	4425	4425	4425	4425	4425	4425	4425	4425	4425	4425	4425	4425	4425	4425		
Permitted average input speed <sup>d)</sup> (at $T_{2N}$ and 20 °C ambient temperature)	$n_{1N}$	rpm	2700	3300	3400	3300	3400	3400	3600	3900	3700	3600	3900	3900	3700	3900	3900		
Max. input speed	$n_{1Max}$	rpm	7000	7000	7000	7000	7000	7000	7000	7000	7000	7000	7000	7000	7000	7000	7000		
Mean no load running torque <sup>b)</sup> (at $n_1=3000$ rpm and 20 °C gearbox temperature)	$T_{012}$	Nm	1.7	1.4	1.2	1.2	1.1	1	0.93	0.88	0.88	0.87	0.81	0.77	0.75	0.72	0.68		
		in.lb	15	12	11	11	9.7	8.9	8.2	7.8	7.8	7.7	7.2	6.8	6.6	6.4	6		
Max. backlash	$j_l$	arcmin	≤ 10																
Torsional rigidity <sup>b)</sup>	$C_{t21}$	Nm/arcmin	25	25	25	25	25	25	25	25	25	25	25	25	22	25	22		
		in.lb/arcmin	221	221	221	221	221	221	221	221	221	221	221	221	195	221	195		
Max. axial force <sup>c)</sup>	$F_{2AMax}$	N	5650																
		lb <sub>f</sub>	1271																
Max. lateral force <sup>c)</sup>	$F_{2QMMax}$	N	6600																
		lb <sub>f</sub>	1485																
Max. tilting moment	$M_{2KMMax}$	Nm	487																
		in.lb	4310																
Efficiency at full load	$\eta$	%	95																
Service life	$L_n$	h	> 20000																
Weight (incl. standard adapter plate)	m	kg	9.5																
		lb <sub>m</sub>	21																
Operating noise (at reference ratio and reference speed – ratio-specific values available in cymex <sup>®</sup> )	$L_{PA}$	dB(A)	≤ 61																
Max. permitted housing temperature		°C	+90																
		°F	+194																
Ambient temperature		°C	-15 to +40																
		°F	+5 to +104																
Lubrication			Lubricated for life																
Direction of rotation			In- and output same direction																
Protection class			IP 65																
Elastomer coupling (recommended product type – validate sizing with cymex <sup>®</sup> )			ELC-0150BA032.000-X																
Bore diameter of coupling on the application side		mm	X = 019.000 - 036.000																
Mass moment of inertia (relates to the drive) Clamping hub diameter [mm]	C	14	$J_1$	kgcm <sup>2</sup>	0.6	0.59	0.6	0.43	0.42	0.36	0.37	0.52	0.38	0.32	0.36	0.31	0.26	0.27	0.24
				10 <sup>-3</sup> in.lb.s <sup>2</sup>	0.53	0.52	0.53	0.38	0.37	0.32	0.33	0.46	0.34	0.28	0.32	0.27	0.23	0.24	0.21
	D	16	$J_1$	kgcm <sup>2</sup>	0.75	0.74	0.74	0.58	0.57	0.5	0.5	0.67	0.52	0.45	0.51	0.46	0.4	0.41	0.39
				10 <sup>-3</sup> in.lb.s <sup>2</sup>	0.66	0.65	0.65	0.51	0.5	0.44	0.44	0.59	0.46	0.4	0.45	0.41	0.35	0.36	0.35
	E	19	$J_1$	kgcm <sup>2</sup>	0.84	0.83	0.83	0.66	0.65	0.59	0.6	0.75	0.61	0.55	0.6	0.54	0.49	0.5	0.48
				10 <sup>-3</sup> in.lb.s <sup>2</sup>	0.74	0.73	0.73	0.58	0.58	0.52	0.53	0.66	0.54	0.49	0.53	0.48	0.43	0.44	0.42
	G	24	$J_1$	kgcm <sup>2</sup>	1.9	1.9	1.9	1.7	1.7	1.6	1.6	1.8	1.6	1.6	1.6	1.6	1.5	1.5	1.5
				10 <sup>-3</sup> in.lb.s <sup>2</sup>	1.7	1.6	1.7	1.5	1.5	1.4	1.5	1.6	1.5	1.4	1.4	1.4	1.4	1.3	1.4
	H	28	$J_1$	kgcm <sup>2</sup>	1.6	1.6	1.6	1.4	1.4	1.3	1.3	1.5	1.4	1.3	1.3	1.3	1.2	1.2	1.2
				10 <sup>-3</sup> in.lb.s <sup>2</sup>	1.4	1.4	1.4	1.2	1.2	1.2	1.2	1.3	1.2	1.1	1.2	1.1	1.1	1.1	1.1

Please use our sizing software cymex<sup>®</sup> for a detailed sizing – [www.wittenstein-cymex.com](http://www.wittenstein-cymex.com)

<sup>a)</sup> Valid for torque transmission only

<sup>b)</sup> Valid for standard clamping hub diameter

<sup>c)</sup> Refers to center of the output shaft or flange

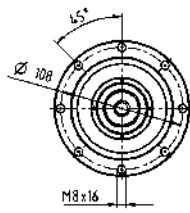
<sup>d)</sup> Please reduce input speed at higher ambient temperatures

<sup>e)</sup> Valid for: Smooth shaft

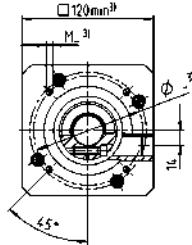
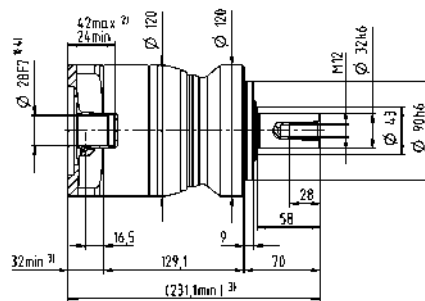
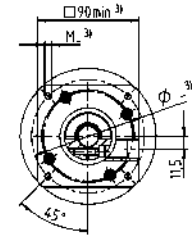
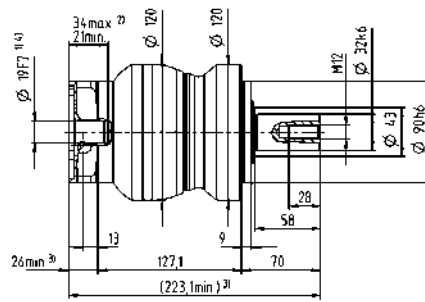
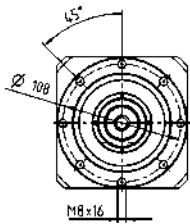
# 2-stage

Motor shaft diameter [mm]

up to 19<sup>4)</sup> (E)<sup>5)</sup>  
clamping hub diameter



up to 28<sup>4)</sup> (H)  
clamping hub diameter

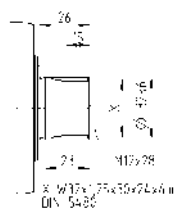
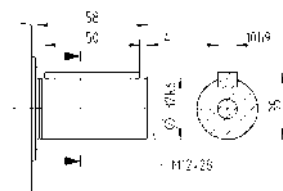


Planetary Gearboxes  
Value Line

## Other output variants

Shaft with key

Splined shaft (DIN 5480)



Non-tolerated dimensions are nominal dimensions

<sup>1)</sup> Check motor shaft fit

<sup>2)</sup> Min. / Max. permissible motor shaft length

Longer motor shafts are possible, please contact alpha

<sup>3)</sup> The dimensions depend on the motor

<sup>4)</sup> Smaller motor shaft diameter is compensated

by a bushing with a minimum wall thickness of 1 mm

<sup>5)</sup> Standard clamping hub diameter

# NPL 045 MF 1-/2-stage

			1-stage			2-stage						
Ratio	i		5	8	10	25	32	50	64	100		
Max. torque <sup>a) b) e)</sup>	$T_{2a}$	Nm	800	640	640	700	640	700	640	640		
		in.lb	7081	5665	5665	6196	5665	6196	5665	5665		
Max. acceleration torque <sup>e)</sup> (max. 1000 cycles per hour)	$T_{2B}$	Nm	500	400	400	500	400	500	400	400		
		in.lb	4425	3540	3540	4425	3540	4425	3540	3540		
Emergency stop torque <sup>a) b) e)</sup> (permitted 1000 times during the service life of the gearbox)	$T_{2Not}$	Nm	1000	1000	1000	1000	1000	1000	1000	1000		
		in.lb	8851	8851	8851	8851	8851	8851	8851	8851		
Permitted average input speed <sup>d)</sup> (at $T_{2N}$ and 20 °C ambient temperature)	$n_{1N}$	rpm	1800	1900	2000	2600	2500	3000	2900	3000		
Max. input speed	$n_{1Max}$	rpm	4000	4000	4000	6000	6000	6000	6000	6000		
Mean no load running torque <sup>b)</sup> (at $n_1=3000$ rpm and 20 °C gearbox temperature)	$T_{012}$	Nm	4.2	3	2.6	1.6	1.5	1.2	1.1	0.97		
		in.lb	37	27	23	14	13	11	9.7	8.6		
Max. backlash	$j_l$	arcmin	≤ 8			≤ 10						
Torsional rigidity <sup>b)</sup>	$C_{i21}$	Nm/arcmin	55	44	44	55	44	55	44	44		
		in.lb/arcmin	487	389	389	487	389	487	389	389		
Max. axial force <sup>c)</sup>	$F_{2AMax}$	N	9870			9870						
		lb <sub>f</sub>	2221			2221						
Max. lateral force <sup>c)</sup>	$F_{2QMax}$	N	9900			9900						
		lb <sub>f</sub>	2228			2228						
Max. tilting moment	$M_{2KMMax}$	Nm	952			952						
		in.lb	8426			8426						
Efficiency at full load	$\eta$	%	97			95						
Service life	$L_n$	h	> 20000			> 20000						
Weight (incl. standard adapter plate)	m	kg	20			20						
		lb <sub>m</sub>	44			44						
Operating noise (at reference ratio and reference speed – ratio-specific values available in cymex <sup>®</sup> )	$L_{PA}$	dB(A)	≤ 68			≤ 65						
Max. permitted housing temperature		°C	+90			+90						
		°F	+194			+194						
Ambient temperature		°C	-15 to +40			-15 to +40						
		°F	+5 to +104			+5 to +104						
Lubrication			Lubricated for life									
Direction of rotation			In- and output same direction									
Protection class			IP 65									
Elastomer coupling (recommended product type – validate sizing with cymex <sup>®</sup> )			ELC-0300BA040.000-X									
Bore diameter of coupling on the application side		mm	X = 020.000 - 045.000									
Mass moment of inertia (relates to the drive) Clamping hub diameter [mm]	E	19	$J_1$	kgcm <sup>2</sup>	-	-	-	1.2	1.1	1	0.88	0.82
				10 <sup>-3</sup> in.lb.s <sup>2</sup>	-	-	-	1.1	0.97	0.89	0.78	0.73
	G	24	$J_1$	kgcm <sup>2</sup>	-	-	-	2	1.9	1.8	1.7	1.6
				10 <sup>-3</sup> in.lb.s <sup>2</sup>	-	-	-	1.8	1.7	1.6	1.5	1.4
	H	28	$J_1$	kgcm <sup>2</sup>	-	-	-	1.7	1.6	1.5	1.4	1.3
				10 <sup>-3</sup> in.lb.s <sup>2</sup>	-	-	-	1.5	1.4	1.3	1.2	1.2
	I	32	$J_1$	kgcm <sup>2</sup>	-	-	-	5.8	5.7	5.6	5.4	5.4
				10 <sup>-3</sup> in.lb.s <sup>2</sup>	-	-	-	5.1	5	5	4.8	4.8
	K	38	$J_1$	kgcm <sup>2</sup>	8.7	7.3	7.2	7	6.9	6.8	6.6	6.5
				10 <sup>-3</sup> in.lb.s <sup>2</sup>	7.7	6.5	6.4	6.2	6.1	6	5.8	5.8

Please use our sizing software cymex<sup>®</sup> for a detailed sizing – [www.wittenstein-cymex.com](http://www.wittenstein-cymex.com)

<sup>a)</sup> Valid for torque transmission only

<sup>b)</sup> Valid for standard clamping hub diameter

<sup>c)</sup> Refers to center of the output shaft or flange

<sup>d)</sup> Please reduce input speed at higher ambient temperatures

<sup>e)</sup> Valid for: Smooth shaft





# NPL 015 MA 1-/2-stage

			1-stage		2-stage							
Ratio	i		3	4	12	15	16	20	28	30	40	
Max. torque <sup>a) b) e)</sup>	$T_{2a}$	Nm	80	67	62	67	67	67	67	62	67	
		in.lb	708	593	549	593	593	593	593	593	549	593
Max. acceleration torque <sup>e)</sup> (max. 1000 cycles per hour)	$T_{2B}$	Nm	55	42	39	42	42	42	42	42	39	42
		in.lb	487	372	345	372	372	372	372	372	345	372
Emergency stop torque <sup>a) b) e)</sup> (permitted 1000 times during the service life of the gearbox)	$T_{2Not}$	Nm	80	80	80	80	80	80	80	80	80	80
		in.lb	708	708	708	708	708	708	708	708	708	708
Permitted average input speed <sup>d)</sup> (at $T_{2m}$ and 20 °C ambient temperature)	$n_{1N}$	rpm	2900	3100	3800	4000	3800	4000	4300	4600	4600	
Max. input speed	$n_{1Max}$	rpm	8000	8000	10000	10000	10000	10000	10000	10000	10000	
Mean no load running torque <sup>b)</sup> (at $n_1=3000$ rpm and 20 °C gearbox temperature)	$T_{012}$	Nm	0.92	0.74	0.34	0.29	0.29	0.25	0.21	0.21	0.19	
		in.lb	8.1	6.5	3	2.6	2.6	2.2	1.9	1.9	1.7	
Max. backlash	$j_l$	arcmin	≤ 8		≤ 10							
Torsional rigidity <sup>b)</sup>	$C_{i21}$	Nm/arcmin	4	4	4	4	4	4	4	4	4	
		in.lb/arcmin	35	35	35	35	35	35	35	35	35	
Max. axial force <sup>c)</sup>	$F_{2AMax}$	N	2400		2400							
		lb <sub>f</sub>	540		540							
Max. lateral force <sup>c)</sup>	$F_{2QMMax}$	N	2800		2800							
		lb <sub>f</sub>	630		630							
Max. tilting moment	$M_{2KMMax}$	Nm	152		152							
		in.lb	1345		1345							
Efficiency at full load	$\eta$	%	97		95							
Service life	$L_h$	h	> 20000		> 20000							
Weight (incl. standard adapter plate)	m	kg	1.9		2							
		lb <sub>m</sub>	4.2		4.4							
Operating noise (at reference ratio and reference speed – ratio-specific values available in cymex®)	$L_{PA}$	dB(A)	≤ 59		≤ 58							
Max. permitted housing temperature		°C	+90		+90							
		°F	+194		+194							
Ambient temperature		°C	-15 to +40		-15 to +40							
		°F	+5 to +104		+5 to +104							
Lubrication			Lubricated for life									
Direction of rotation			In- and output same direction									
Protection class			IP 65									
Elastomer coupling (recommended product type – validate sizing with cymex®)			ELC-0060BA016.000-X									
Bore diameter of coupling on the application side		mm	X = 012.000 - 032.000									
Mass moment of inertia (relates to the drive) Clamping hub diameter [mm]	Z	8	$J_1$	kgcm <sup>2</sup>	-	-	0.04	0.04	0.03	0.03	0.03	0.03
				10 <sup>-3</sup> in.lb.s <sup>2</sup>	-	-	0.04	0.04	0.03	0.03	0.03	0.03
	A	9	$J_1$	kgcm <sup>2</sup>	0.25	0.19	0.04	0.04	0.03	0.03	0.03	0.03
				10 <sup>-3</sup> in.lb.s <sup>2</sup>	0.22	0.17	0.04	0.04	0.03	0.03	0.03	0.03
	B	11	$J_1$	kgcm <sup>2</sup>	0.26	0.21	0.06	0.06	0.05	0.05	0.05	0.05
				10 <sup>-3</sup> in.lb.s <sup>2</sup>	0.23	0.19	0.05	0.05	0.04	0.04	0.04	0.04
	C	14	$J_1$	kgcm <sup>2</sup>	0.34	0.28	0.14	0.14	0.14	0.13	0.13	0.14
				10 <sup>-3</sup> in.lb.s <sup>2</sup>	0.3	0.25	0.12	0.12	0.12	0.12	0.12	0.12
	D	16	$J_1$	kgcm <sup>2</sup>	0.47	0.41	-	-	-	-	-	-
				10 <sup>-3</sup> in.lb.s <sup>2</sup>	0.42	0.36	-	-	-	-	-	-
	E	19	$J_1$	kgcm <sup>2</sup>	0.55	0.49	-	-	-	-	-	-
				10 <sup>-3</sup> in.lb.s <sup>2</sup>	0.49	0.43	-	-	-	-	-	-

Please use our sizing software cymex® for a detailed sizing – [www.wittenstein-cymex.com](http://www.wittenstein-cymex.com)

<sup>a)</sup> Valid for torque transmission only

<sup>b)</sup> Valid for standard clamping hub diameter

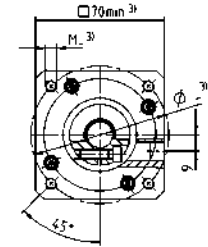
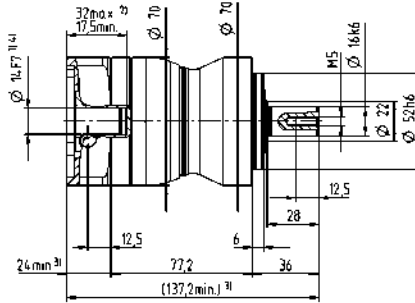
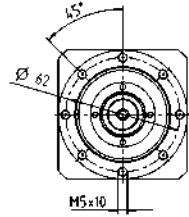
<sup>c)</sup> Refers to center of the output shaft or flange

<sup>d)</sup> Please reduce input speed at higher ambient temperatures

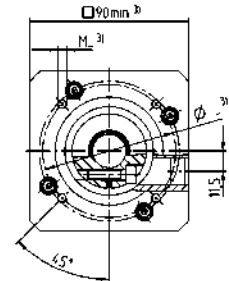
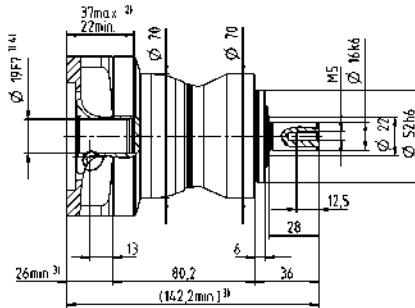
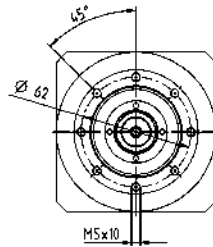
<sup>e)</sup> Valid for: Smooth shaft

# 1-stage

up to 14<sup>4)</sup> (C)<sup>5)</sup>  
clamping hub diameter

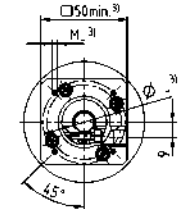
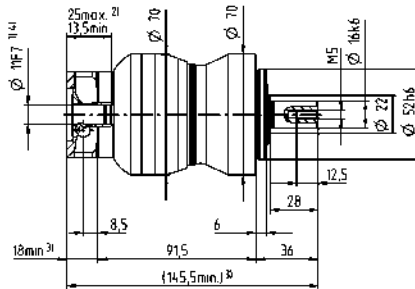
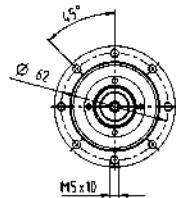


up to 19<sup>4)</sup> (E)  
clamping hub diameter

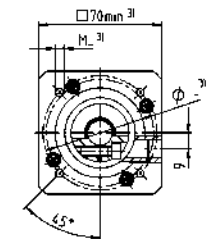
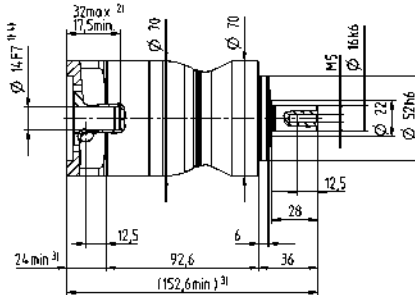
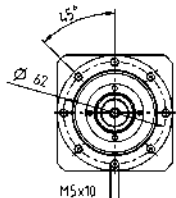


# 2-stage

up to 11<sup>4)</sup> (B)<sup>5)</sup>  
clamping hub diameter



up to 14<sup>4)</sup> (C)  
clamping hub diameter

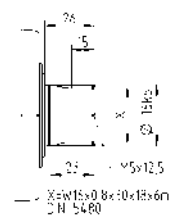
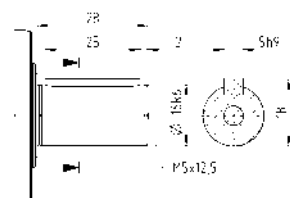


Motor shaft diameter [mm]

## Other output variants

Shaft with key

Splined shaft (DIN 5480)



Non-tolerated dimensions are nominal dimensions

<sup>1)</sup> Check motor shaft fit

<sup>2)</sup> Min. / Max. permissible motor shaft length

Longer motor shafts are possible, please contact alpha

<sup>3)</sup> The dimensions depend on the motor

<sup>4)</sup> Smaller motor shaft diameter is compensated

by a bushing with a minimum wall thickness of 1 mm

<sup>5)</sup> Standard clamping hub diameter

# NPL 025 MA 1-/2-stage

			1-stage		2-stage								
Ratio	i		3	4	9	12	15	16	20	28	30	40	
Max. torque <sup>a) b) e)</sup>	$T_{2a}$	Nm	185	185	185	185	185	185	185	185	168	185	
		in.lb	1637	1637	1637	1637	1637	1637	1637	1637	1637	1487	1637
Max. acceleration torque <sup>e)</sup> (max. 1000 cycles per hour)	$T_{2B}$	Nm	125	115	125	125	120	115	115	115	105	115	
		in.lb	1106	1018	1106	1106	1062	1018	1018	1018	929	1018	
Emergency stop torque <sup>a) b) e)</sup> (permitted 1000 times during the service life of the gearbox)	$T_{2Not}$	Nm	190	190	190	190	190	190	190	190	190	190	
		in.lb	1682	1682	1682	1682	1682	1682	1682	1682	1682	1682	
Permitted average input speed <sup>d)</sup> (at $T_{2a}$ and 20 °C ambient temperature)	$n_{1N}$	rpm	2700	2900	2900	3500	3700	3500	3700	4000	4300	4300	
Max. input speed	$n_{1Max}$	rpm	7000	7000	8000	8000	8000	8000	8000	8000	8000	8000	
Mean no load running torque <sup>b)</sup> (at $n_1=3000$ rpm and 20 °C gearbox temperature)	$T_{012}$	Nm	1.8	1.5	0.67	0.55	0.47	0.46	0.4	0.34	0.33	0.29	
		in.lb	16	13	5.9	4.9	4.2	4.1	3.5	3	2.9	2.6	
Max. backlash	$j_l$	arcmin	≤ 8		≤ 10								
Torsional rigidity <sup>b)</sup>	$C_{i21}$	Nm/arcmin	12	12	12	12	12	12	12	12	12	12	
		in.lb/arcmin	106	106	106	106	106	106	106	106	106	106	
Max. axial force <sup>c)</sup>	$F_{2AMax}$	N	3350		3350								
		lb <sub>f</sub>	754		754								
Max. lateral force <sup>c)</sup>	$F_{2QMMax}$	N	4200		4200								
		lb <sub>f</sub>	945		945								
Max. tilting moment	$M_{2KMMax}$	Nm	236		236								
		in.lb	2089		2089								
Efficiency at full load	$\eta$	%	97		95								
Service life	$L_n$	h	> 20000		> 20000								
Weight (incl. standard adapter plate)	m	kg	3.9		4.2								
		lb <sub>m</sub>	8.6		9.3								
Operating noise (at reference ratio and reference speed – ratio-specific values available in cymex®)	$L_{PA}$	dB(A)	≤ 61		≤ 59								
		°C	+90		+90								
Max. permitted housing temperature		°F	+194		+194								
		°C	-15 to +40		-15 to +40								
Ambient temperature		°F	+5 to +104		+5 to +104								
			Lubricated for life										
Direction of rotation			In- and output same direction										
Protection class			IP 65										
Elastomer coupling (recommended product type – validate sizing with cymex®)			ELC-0060BA022.000-X										
Bore diameter of coupling on the application side		mm	X = 012.000 - 032.000										
Mass moment of inertia (relates to the drive) Clamping hub diameter [mm]	A	9	$J_1$	kgcm <sup>2</sup>	-	-	0.26	0.22	0.21	0.21	0.2	0.19	0.19
				10 <sup>-3</sup> in.lb.s <sup>2</sup>	-	-	0.23	0.19	0.19	0.19	0.18	0.17	0.17
	B	11	$J_1$	kgcm <sup>2</sup>	-	-	0.28	0.24	0.23	0.23	0.22	0.21	0.21
				10 <sup>-3</sup> in.lb.s <sup>2</sup>	-	-	0.25	0.21	0.2	0.2	0.19	0.19	0.19
	C	14	$J_1$	kgcm <sup>2</sup>	0.58	0.47	0.35	0.31	0.3	0.3	0.3	0.29	0.28
				10 <sup>-3</sup> in.lb.s <sup>2</sup>	0.51	0.42	0.31	0.27	0.27	0.27	0.27	0.26	0.25
	D	16	$J_1$	kgcm <sup>2</sup>	0.73	0.62	0.48	0.44	0.43	0.43	0.42	0.41	0.41
				10 <sup>-3</sup> in.lb.s <sup>2</sup>	0.65	0.55	0.42	0.39	0.38	0.38	0.37	0.36	0.36
	E	19	$J_1$	kgcm <sup>2</sup>	0.81	0.71	0.56	0.52	0.51	0.52	0.51	0.5	0.5
				10 <sup>-3</sup> in.lb.s <sup>2</sup>	0.72	0.63	0.5	0.46	0.45	0.46	0.45	0.44	0.44
	G	24	$J_1$	kgcm <sup>2</sup>	1.8	1.7	-	-	-	-	-	-	-
				10 <sup>-3</sup> in.lb.s <sup>2</sup>	1.6	1.5	-	-	-	-	-	-	-
	H	28	$J_1$	kgcm <sup>2</sup>	1.6	1.4	-	-	-	-	-	-	-
				10 <sup>-3</sup> in.lb.s <sup>2</sup>	1.4	1.2	-	-	-	-	-	-	-

Please use our sizing software cymex® for a detailed sizing – [www.wittenstein-cymex.com](http://www.wittenstein-cymex.com)

<sup>a)</sup> Valid for torque transmission only

<sup>b)</sup> Valid for standard clamping hub diameter

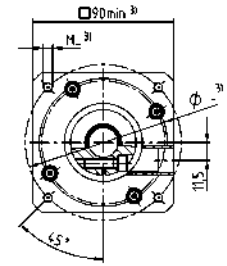
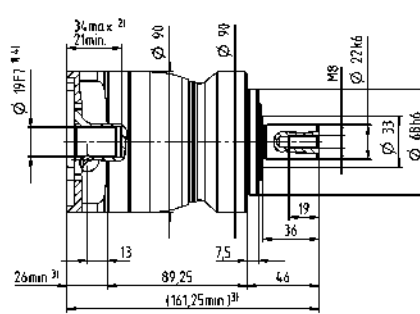
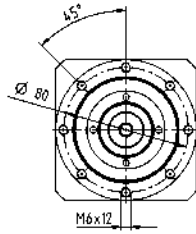
<sup>c)</sup> Refers to center of the output shaft or flange

<sup>d)</sup> Please reduce input speed at higher ambient temperatures

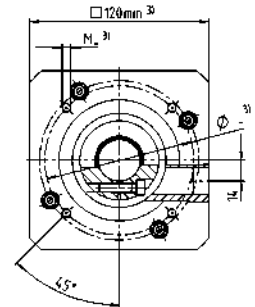
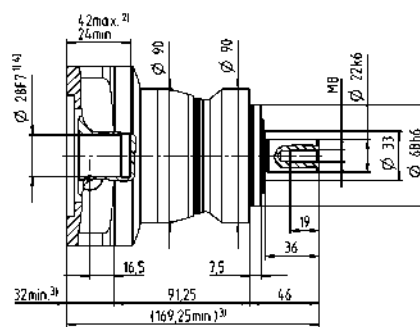
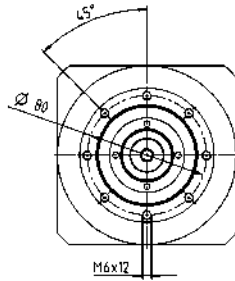
<sup>e)</sup> Valid for: Smooth shaft

# 1-stage

up to 19<sup>4)</sup> (E)<sup>5)</sup>  
clamping hub diameter

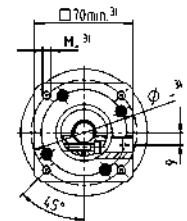
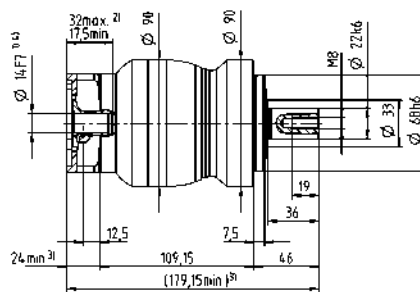
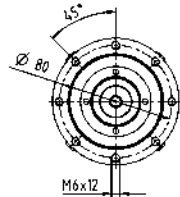


up to 28<sup>4)</sup> (H)  
clamping hub diameter

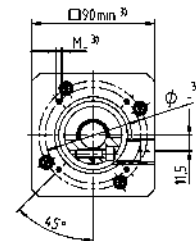
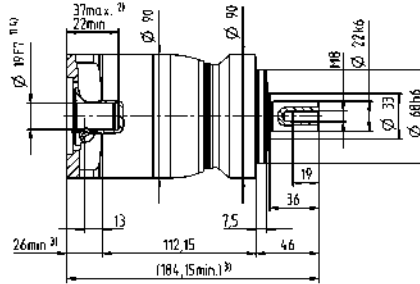
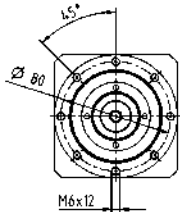


# 2-stage

up to 14<sup>4)</sup> (C)<sup>5)</sup>  
clamping hub diameter



up to 19<sup>4)</sup> (E)  
clamping hub diameter

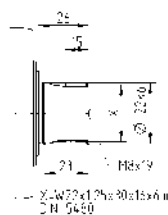
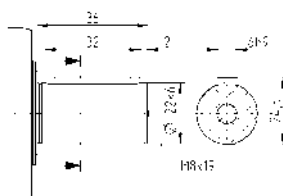


Motor shaft diameter [mm]

## Other output variants

Shaft with key

Splined shaft (DIN 5480)



Non-tolerated dimensions are nominal dimensions

<sup>1)</sup> Check motor shaft fit

<sup>2)</sup> Min. / Max. permissible motor shaft length

Longer motor shafts are possible, please contact alpha

<sup>3)</sup> The dimensions depend on the motor

<sup>4)</sup> Smaller motor shaft diameter is compensated

by a bushing with a minimum wall thickness of 1 mm

<sup>5)</sup> Standard clamping hub diameter

# NPL 035 MA 1-/2-stage

			1-stage		2-stage									
Ratio	i		3	4	9	12	15	16	20	28	30	40		
Max. torque <sup>a) b) e)</sup>	$T_{2a}$	Nm	480	480	480	480	480	480	480	480	432	480		
		in.lb	4248	4248	4248	4248	4248	4248	4248	4248	4248	3824	4248	
Max. acceleration torque <sup>e)</sup> (max. 1000 cycles per hour)	$T_{2B}$	Nm	305	305	305	305	300	305	305	305	270	305		
		in.lb	2699	2699	2699	2699	2655	2699	2699	2699	2390	2699		
Emergency stop torque <sup>a) b) e)</sup> (permitted 1000 times during the service life of the gearbox)	$T_{2Not}$	Nm	500	500	500	500	500	500	500	500	500	500		
		in.lb	4425	4425	4425	4425	4425	4425	4425	4425	4425	4425		
Permitted average input speed <sup>d)</sup> (at $T_{2N}$ and 20 °C ambient temperature)	$n_{1N}$	rpm	2000	2200	2700	3300	3400	3300	3400	3600	3900	3900		
Max. input speed	$n_{1Max}$	rpm	6000	6000	7000	7000	7000	7000	7000	7000	7000	7000		
Mean no load running torque <sup>b)</sup> (at $n_1=3000$ rpm and 20 °C gearbox temperature)	$T_{012}$	Nm	3.3	2.7	1.7	1.4	1.2	1.2	1.1	0.93	0.88	0.81		
		in.lb	29	24	15	12	11	11	9.7	8.2	7.8	7.2		
Max. backlash	$j_l$	arcmin	≤ 8		≤ 10									
Torsional rigidity <sup>b)</sup>	$C_{i21}$	Nm/arcmin	30	30	30	30	30	30	30	30	30	30		
		in.lb/arcmin	266	266	266	266	266	266	266	266	266	266		
Max. axial force <sup>c)</sup>	$F_{2AMax}$	N	5650		5650									
		lb <sub>f</sub>	1271		1271									
Max. lateral force <sup>c)</sup>	$F_{2QMMax}$	N	6600		6600									
		lb <sub>f</sub>	1485		1485									
Max. tilting moment	$M_{2KMMax}$	Nm	487		487									
		in.lb	4310		4310									
Efficiency at full load	$\eta$	%	97		95									
Service life	$L_n$	h	> 20000		> 20000									
Weight (incl. standard adapter plate)	m	kg	9.1		9.5									
		lb <sub>m</sub>	20		21									
Operating noise (at reference ratio and reference speed – ratio-specific values available in cymex®)	$L_{PA}$	dB(A)	≤ 65		≤ 61									
			+90		+90									
Max. permitted housing temperature		°C	+90		+90									
		°F	+194		+194									
Ambient temperature		°C	-15 to +40		-15 to +40									
		°F	+5 to +104		+5 to +104									
Lubrication		Lubricated for life												
Direction of rotation		In- and output same direction												
Protection class		IP 65												
Elastomer coupling (recommended product type – validate sizing with cymex®)		ELC-0150BA032.000-X												
Bore diameter of coupling on the application side		mm	X = 019.000 - 036.000											
Mass moment of inertia (relates to the drive) Clamping hub diameter [mm]	C	14	$J_1$	kgcm <sup>2</sup>	-	-	0.6	0.59	0.6	0.43	0.42	0.37	0.52	0.36
				10 <sup>-3</sup> in.lb.s <sup>2</sup>	-	-	0.53	0.52	0.53	0.38	0.37	0.33	0.46	0.32
	D	16	$J_1$	kgcm <sup>2</sup>	-	-	0.75	0.74	0.74	0.58	0.57	0.5	0.67	0.51
				10 <sup>-3</sup> in.lb.s <sup>2</sup>	-	-	0.66	0.65	0.65	0.51	0.5	0.44	0.59	0.45
	E	19	$J_1$	kgcm <sup>2</sup>	2.5	1.7	0.84	0.83	0.83	0.66	0.65	0.6	0.75	0.6
				10 <sup>-3</sup> in.lb.s <sup>2</sup>	2.2	1.5	0.74	0.73	0.73	0.58	0.58	0.53	0.66	0.53
	G	24	$J_1$	kgcm <sup>2</sup>	3.3	2.4	1.9	1.9	1.9	1.7	1.7	1.6	1.8	1.6
				10 <sup>-3</sup> in.lb.s <sup>2</sup>	2.9	2.1	1.7	1.6	1.7	1.5	1.5	1.5	1.6	1.4
	H	28	$J_1$	kgcm <sup>2</sup>	3	2.2	1.6	1.6	1.6	1.4	1.4	1.3	1.5	1.3
				10 <sup>-3</sup> in.lb.s <sup>2</sup>	2.7	1.9	1.4	1.4	1.4	1.2	1.2	1.2	1.3	1.2
	I	32	$J_1$	kgcm <sup>2</sup>	7.1	6.2	-	-	-	-	-	-	-	-
				10 <sup>-3</sup> in.lb.s <sup>2</sup>	6.3	5.5	-	-	-	-	-	-	-	-
	K	38	$J_1$	kgcm <sup>2</sup>	8.3	7.4	-	-	-	-	-	-	-	-
				10 <sup>-3</sup> in.lb.s <sup>2</sup>	7.3	6.5	-	-	-	-	-	-	-	-

Please use our sizing software cymex® for a detailed sizing – [www.wittenstein-cymex.com](http://www.wittenstein-cymex.com)

<sup>a)</sup> Valid for torque transmission only

<sup>b)</sup> Valid for standard clamping hub diameter

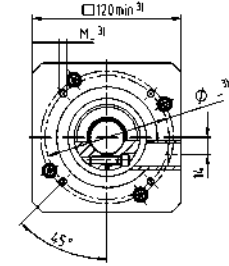
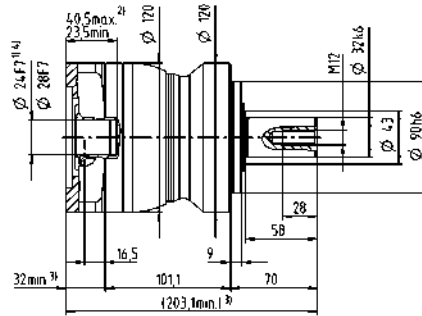
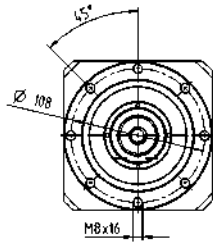
<sup>c)</sup> Refers to center of the output shaft or flange

<sup>d)</sup> Please reduce input speed at higher ambient temperatures

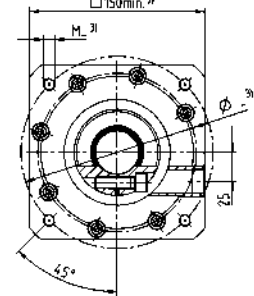
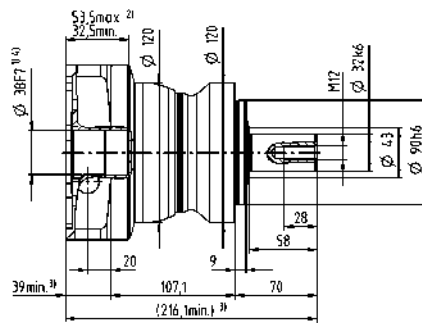
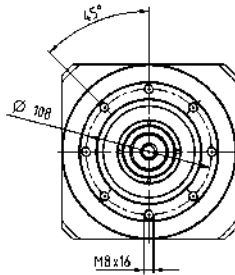
<sup>e)</sup> Valid for: Smooth shaft

# 1-stage

up to 24/28<sup>4)</sup>  
(G<sup>5)</sup>/H)  
clamping hub  
diameter

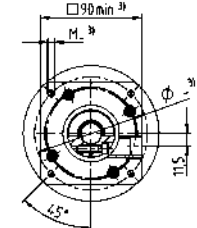
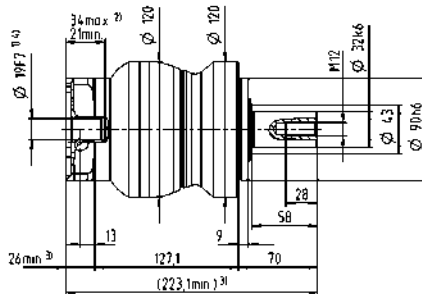
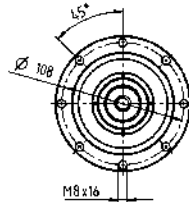


up to 38<sup>4)</sup> (K)  
clamping hub  
diameter

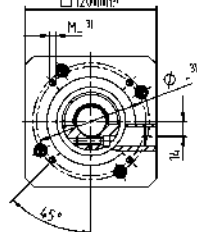
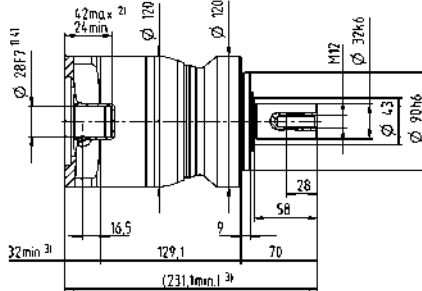
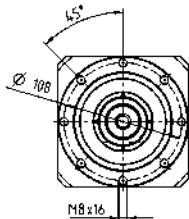


# 2-stage

up to 19<sup>4)</sup> (E)<sup>5)</sup>  
clamping hub  
diameter



up to 28<sup>4)</sup> (H)  
clamping hub  
diameter

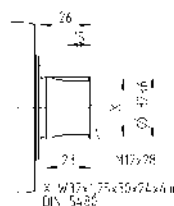
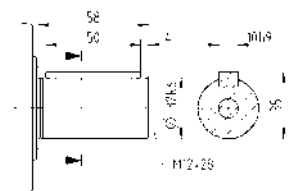


Motor shaft diameter [mm]

## Other output variants

Shaft with key

Splined shaft (DIN 5480)



Non-tolerated dimensions are nominal dimensions

<sup>1)</sup> Check motor shaft fit

<sup>2)</sup> Min. / Max. permissible motor shaft length

Longer motor shafts are possible, please contact alpha

<sup>3)</sup> The dimensions depend on the motor

<sup>4)</sup> Smaller motor shaft diameter is compensated

by a bushing with a minimum wall thickness of 1 mm

<sup>5)</sup> Standard clamping hub diameter

# NPS 015 MF 1-stage

			1-stage							
Ratio	i		3	4	5	7	8	10		
Max. torque <sup>a) b) e)</sup>	$T_{2a}$	Nm	51	56	64	64	56	56		
		in.lb	451	496	566	566	496	496		
Max. acceleration torque <sup>e)</sup> (max. 1000 cycles per hour)	$T_{2B}$	Nm	32	35	40	40	35	35		
		in.lb	283	310	354	354	310	310		
Emergency stop torque <sup>a) b) e)</sup> (permitted 1000 times during the service life of the gearbox)	$T_{2Not}$	Nm	80	80	80	80	80	80		
		in.lb	708	708	708	708	708	708		
Permitted average input speed <sup>d)</sup> (at $T_{2a}$ and 20 °C ambient temperature)	$n_{1N}$	rpm	2900	3100	3300	3600	3600	3800		
Max. input speed	$n_{1Max}$	rpm	8000	8000	8000	8000	8000	8000		
Mean no load running torque <sup>b)</sup> (at $n_1=3000$ rpm and 20 °C gearbox temperature)	$T_{012}$	Nm	0.92	0.74	0.62	0.51	0.47	0.41		
		in.lb	8.1	6.5	5.5	4.5	4.2	3.6		
Max. backlash	$j_l$	arcmin	≤ 8							
Torsional rigidity <sup>b)</sup>	$C_{121}$	Nm/arcmin	3.3	3.3	3.3	3.3	2.8	2.8		
		in.lb/arcmin	29	29	29	29	25	25		
Max. axial force <sup>c)</sup>	$F_{2AMax}$	N	2400							
		lb <sub>f</sub>	540							
Max. lateral force <sup>c)</sup>	$F_{2QMMax}$	N	2800							
		lb <sub>f</sub>	630							
Max. tilting moment	$M_{2KMMax}$	Nm	152							
		in.lb	1345							
Efficiency at full load	$\eta$	%	97							
Service life	$L_n$	h	> 20000							
Weight (incl. standard adapter plate)	m	kg	1.8							
		lb <sub>m</sub>	4							
Operating noise (at reference ratio and reference speed – ratio-specific values available in cymex <sup>®</sup> )	$L_{PA}$	dB(A)	≤ 59							
Max. permitted housing temperature		°C	+90							
		°F	+194							
Ambient temperature		°C	-15 to +40							
		°F	+5 to +104							
Lubrication			Lubricated for life							
Direction of rotation			In- and output same direction							
Protection class			IP 65							
Elastomer coupling (recommended product type – validate sizing with cymex <sup>®</sup> )			ELC-0060BA016.000-X							
Bore diameter of coupling on the application side		mm	X = 012.000 - 032.000							
Mass moment of inertia (relates to the drive) Clamping hub diameter [mm]	A	9	$J_1$	kgcm <sup>2</sup>	0.25	0.19	0.17	0.14	0.14	0.13
				10 <sup>-3</sup> in.lb.s <sup>2</sup>	0.22	0.17	0.15	0.12	0.12	0.12
	B	11	$J_1$	kgcm <sup>2</sup>	0.26	0.21	0.18	0.16	0.16	0.15
				10 <sup>-3</sup> in.lb.s <sup>2</sup>	0.23	0.19	0.16	0.14	0.14	0.13
	C	14	$J_1$	kgcm <sup>2</sup>	0.34	0.28	0.26	0.24	0.23	0.23
				10 <sup>-3</sup> in.lb.s <sup>2</sup>	0.3	0.25	0.23	0.21	0.2	0.2
	D	16	$J_1$	kgcm <sup>2</sup>	0.47	0.41	0.39	0.36	0.36	0.35
				10 <sup>-3</sup> in.lb.s <sup>2</sup>	0.42	0.36	0.35	0.32	0.32	0.31
	E	19	$J_1$	kgcm <sup>2</sup>	0.55	0.49	0.47	0.45	0.44	0.44
				10 <sup>-3</sup> in.lb.s <sup>2</sup>	0.49	0.43	0.42	0.4	0.39	0.39

Please use our sizing software cymex<sup>®</sup> for a detailed sizing – [www.wittenstein-cymex.com](http://www.wittenstein-cymex.com)

<sup>a)</sup> Valid for torque transmission only

<sup>b)</sup> Valid for standard clamping hub diameter

<sup>c)</sup> Refers to center of the output shaft or flange

<sup>d)</sup> Please reduce input speed at higher ambient temperatures

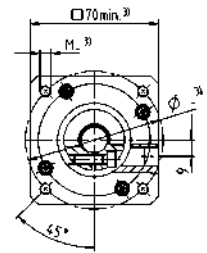
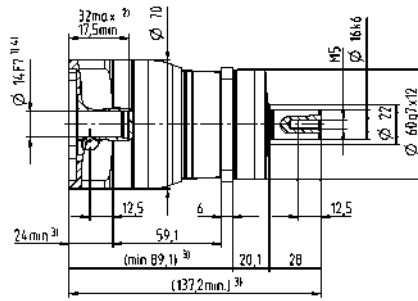
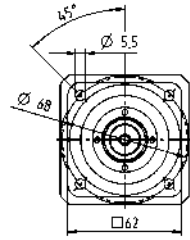
<sup>e)</sup> Valid for: Smooth shaft



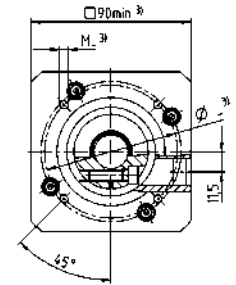
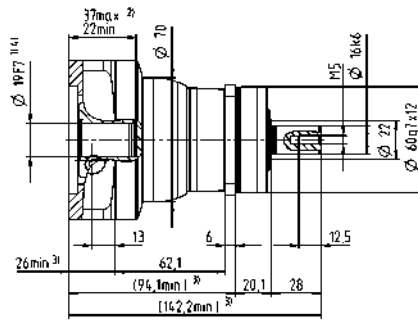
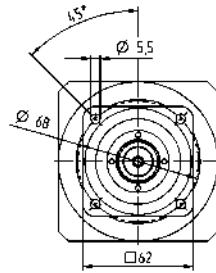
# 1-stage

Motor shaft diameter [mm]

up to 14<sup>4)</sup> (C)<sup>5)</sup>  
clamping hub diameter



up to 19<sup>4)</sup> (E)  
clamping hub diameter

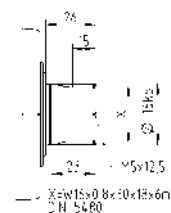
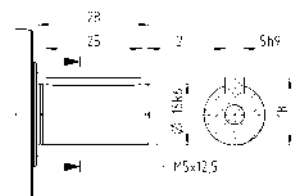


Planetary Gearboxes  
Value Line

## Other output variants

Shaft with key

Splined shaft (DIN 5480)



Non-tolerated dimensions are nominal dimensions

<sup>1)</sup> Check motor shaft fit

<sup>2)</sup> Min. / Max. permissible motor shaft length

Longer motor shafts are possible, please contact alpha

<sup>3)</sup> The dimensions depend on the motor

<sup>4)</sup> Smaller motor shaft diameter is compensated

by a bushing with a minimum wall thickness of 1 mm

<sup>5)</sup> Standard clamping hub diameter

# NPS 015 MF 2-stage

			2-stage														
Ratio	i		12	15	16	20	25	28	30	32	35	40	50	64	70	100	
Max. torque <sup>a) b) e)</sup>	$T_{2a}$	Nm	51	51	56	56	64	56	51	56	64	56	64	56	64	56	
		in.lb	451	451	496	496	566	496	451	496	566	496	566	496	566	496	566
Max. acceleration torque <sup>e)</sup> (max. 1000 cycles per hour)	$T_{2B}$	Nm	32	32	35	35	40	35	32	35	40	35	40	35	40	35	
		in.lb	283	283	310	310	354	310	283	310	354	310	354	310	354	310	354
Emergency stop torque <sup>a) b) e)</sup> (permitted 1000 times during the service life of the gearbox)	$T_{2Not}$	Nm	80	80	80	80	80	80	80	80	80	80	80	80	80	80	
		in.lb	708	708	708	708	708	708	708	708	708	708	708	708	708	708	708
Permitted average input speed <sup>d)</sup> (at $T_{2m}$ and 20 °C ambient temperature)	$n_{1N}$	rpm	3800	4000	3800	4000	4000	4300	4600	4400	4300	4600	4600	4400	4600	4600	
Max. input speed	$n_{1Max}$	rpm	10000	10000	10000	10000	10000	10000	10000	10000	10000	10000	10000	10000	10000	10000	
Mean no load running torque <sup>b)</sup> (at $n_1=3000$ rpm and 20 °C gearbox temperature)	$T_{012}$	Nm	0.34	0.29	0.29	0.25	0.23	0.21	0.21	0.2	0.2	0.19	0.17	0.17	0.16	0.15	
		in.lb	3	2.6	2.6	2.2	2	1.9	1.9	1.8	1.8	1.7	1.5	1.5	1.4	1.3	
Max. backlash	$j_l$	arcmin	≤ 10														
Torsional rigidity <sup>b)</sup>	$C_{i21}$	Nm/arcmin	3.3	3.3	3.3	3.3	3.3	3.3	3.3	3.3	3.3	3.3	3.3	2.8	3.3	2.8	
		in.lb/arcmin	29	29	29	29	29	29	29	29	29	29	29	29	25	29	25
Max. axial force <sup>c)</sup>	$F_{2AMax}$	N	2400														
		lb <sub>f</sub>	540														
Max. lateral force <sup>c)</sup>	$F_{2QMMax}$	N	2800														
		lb <sub>f</sub>	630														
Max. tilting moment	$M_{2KMMax}$	Nm	152														
		in.lb	1345														
Efficiency at full load	$\eta$	%	95														
Service life	$L_n$	h	> 20000														
Weight (incl. standard adapter plate)	m	kg	1.9														
		lb <sub>m</sub>	4.2														
Operating noise (at reference ratio and reference speed – ratio-specific values available in cymex <sup>®</sup> )	$L_{PA}$	dB(A)	≤ 58														
Max. permitted housing temperature		°C	+90														
		°F	+194														
Ambient temperature		°C	-15 to +40														
		°F	+5 to +104														
Lubrication			Lubricated for life														
Direction of rotation			In- and output same direction														
Protection class			IP 65														
Elastomer coupling (recommended product type – validate sizing with cymex <sup>®</sup> )			ELC-0060BA016.000-X														
Bore diameter of coupling on the application side		mm	X = 012.000 - 032.000														
Mass moment of inertia (relates to the drive) Clamping hub diameter [mm]	Z	8	$J_1$	kgcm <sup>2</sup>	0.04	0.04	0.03	0.03	0.03	0.03	0.03	0.03	0.03	0.02	0.02	0.02	0.02
				10 <sup>-3</sup> in.lb.s <sup>2</sup>	0.04	0.04	0.03	0.03	0.03	0.03	0.03	0.03	0.03	0.03	0.02	0.02	0.02
	A	9	$J_1$	kgcm <sup>2</sup>	0.04	0.04	0.03	0.03	0.03	0.03	0.03	0.03	0.03	0.02	0.02	0.02	0.02
				10 <sup>-3</sup> in.lb.s <sup>2</sup>	0.04	0.04	0.03	0.03	0.03	0.03	0.03	0.03	0.03	0.02	0.02	0.02	0.02
	B	11	$J_1$	kgcm <sup>2</sup>	0.06	0.06	0.05	0.05	0.05	0.05	0.05	0.04	0.05	0.04	0.04	0.04	
				10 <sup>-3</sup> in.lb.s <sup>2</sup>	0.05	0.05	0.04	0.04	0.04	0.04	0.04	0.04	0.04	0.04	0.04	0.04	0.04
	C	14	$J_1$	kgcm <sup>2</sup>	0.14	0.14	0.14	0.13	0.13	0.13	0.14	0.13	0.13	0.13	0.13	0.13	
				10 <sup>-3</sup> in.lb.s <sup>2</sup>	0.12	0.12	0.12	0.12	0.12	0.12	0.12	0.12	0.12	0.12	0.12	0.12	0.12

Please use our sizing software cymex<sup>®</sup> for a detailed sizing – [www.wittenstein-cymex.com](http://www.wittenstein-cymex.com)

<sup>a)</sup> Valid for torque transmission only

<sup>b)</sup> Valid for standard clamping hub diameter

<sup>c)</sup> Refers to center of the output shaft or flange

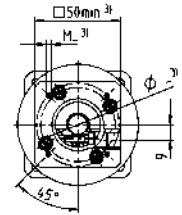
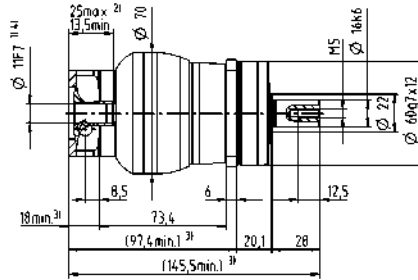
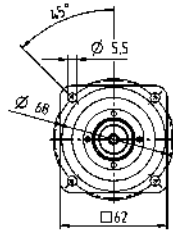
<sup>d)</sup> Please reduce input speed at higher ambient temperatures

<sup>e)</sup> Valid for: Smooth shaft

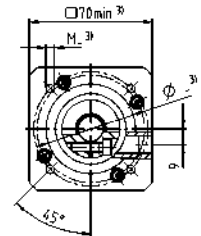
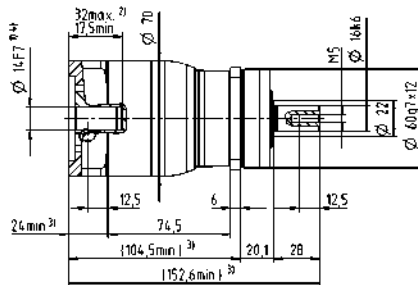
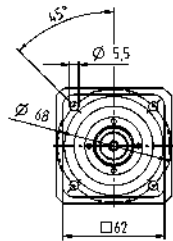
# 2-stage

Motor shaft diameter [mm]

up to 11<sup>4)</sup> (B)<sup>5)</sup>  
clamping hub diameter



up to 14<sup>4)</sup> (C)  
clamping hub diameter

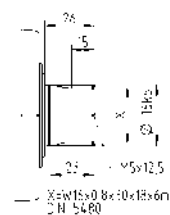
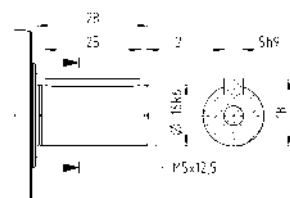


Planetary Gearboxes  
Value Line

## Other output variants

Shaft with key

Splined shaft (DIN 5480)



Non-tolerated dimensions are nominal dimensions

<sup>1)</sup> Check motor shaft fit

<sup>2)</sup> Min. / Max. permissible motor shaft length

Longer motor shafts are possible, please contact alpha

<sup>3)</sup> The dimensions depend on the motor

<sup>4)</sup> Smaller motor shaft diameter is compensated

by a bushing with a minimum wall thickness of 1 mm

<sup>5)</sup> Standard clamping hub diameter

# NPS 025 MF 1-stage

			1-stage							
Ratio	i		3	4	5	7	8	10		
Max. torque <sup>a) b) e)</sup>	$T_{2a}$	Nm	128	152	160	160	144	144		
		in.lb	1133	1345	1416	1416	1275	1275		
Max. acceleration torque <sup>e)</sup> (max. 1000 cycles per hour)	$T_{2B}$	Nm	80	95	100	100	90	90		
		in.lb	708	841	885	885	797	797		
Emergency stop torque <sup>a) b) e)</sup> (permitted 1000 times during the service life of the gearbox)	$T_{2Not}$	Nm	190	190	190	190	190	190		
		in.lb	1682	1682	1682	1682	1682	1682		
Permitted average input speed <sup>d)</sup> (at $T_{2a}$ and 20 °C ambient temperature)	$n_{1N}$	rpm	2700	2900	3000	3200	3300	3500		
Max. input speed	$n_{1Max}$	rpm	7000	7000	7000	7000	7000	7000		
Mean no load running torque <sup>b)</sup> (at $n_1=3000$ rpm and 20 °C gearbox temperature)	$T_{012}$	Nm	1.8	1.5	1.3	1.1	1	0.94		
		in.lb	16	13	12	9.7	8.9	8.3		
Max. backlash	$j_l$	arcmin	≤ 8							
Torsional rigidity <sup>b)</sup>	$C_{t21}$	Nm/arcmin	9.5	9.5	9.5	9.5	8.5	8.5		
		in.lb/arcmin	84	84	84	84	75	75		
Max. axial force <sup>c)</sup>	$F_{2AMax}$	N	3350							
		lb <sub>f</sub>	754							
Max. lateral force <sup>c)</sup>	$F_{2QMMax}$	N	4200							
		lb <sub>f</sub>	945							
Max. tilting moment	$M_{2KMMax}$	Nm	236							
		in.lb	2089							
Efficiency at full load	$\eta$	%	97							
Service life	$L_n$	h	> 20000							
Weight (incl. standard adapter plate)	m	kg	3.6							
		lb <sub>m</sub>	8							
Operating noise (at reference ratio and reference speed – ratio-specific values available in cymex <sup>®</sup> )	$L_{PA}$	dB(A)	≤ 61							
Max. permitted housing temperature		°C	+90							
		°F	+194							
Ambient temperature		°C	-15 to +40							
		°F	+5 to +104							
Lubrication			Lubricated for life							
Direction of rotation			In- and output same direction							
Protection class			IP 65							
Elastomer coupling (recommended product type – validate sizing with cymex <sup>®</sup> )			ELC-0060BA022.000-X							
Bore diameter of coupling on the application side		mm	X = 012.000 - 032.000							
Mass moment of inertia (relates to the drive) Clamping hub diameter [mm]	C	14	$J_1$	kgcm <sup>2</sup>	0.58	0.47	0.38	0.3	0.28	0.26
				10 <sup>-3</sup> in.lb.s <sup>2</sup>	0.51	0.42	0.34	0.27	0.25	0.23
	D	16	$J_1$	kgcm <sup>2</sup>	0.73	0.62	0.53	0.43	0.42	0.4
				10 <sup>-3</sup> in.lb.s <sup>2</sup>	0.65	0.55	0.47	0.38	0.37	0.35
	E	19	$J_1$	kgcm <sup>2</sup>	0.81	0.71	0.61	0.53	0.51	0.49
				10 <sup>-3</sup> in.lb.s <sup>2</sup>	0.72	0.63	0.54	0.47	0.45	0.43
	G	24	$J_1$	kgcm <sup>2</sup>	1.8	1.7	1.6	1.6	1.5	1.5
				10 <sup>-3</sup> in.lb.s <sup>2</sup>	1.6	1.5	1.4	1.4	1.3	1.3
	H	28	$J_1$	kgcm <sup>2</sup>	1.6	1.4	1.4	1.3	1.3	1.2
				10 <sup>-3</sup> in.lb.s <sup>2</sup>	1.4	1.2	1.2	1.2	1.2	1.1

Please use our sizing software cymex<sup>®</sup> for a detailed sizing – [www.wittenstein-cymex.com](http://www.wittenstein-cymex.com)

<sup>a)</sup> Valid for torque transmission only

<sup>b)</sup> Valid for standard clamping hub diameter

<sup>c)</sup> Refers to center of the output shaft or flange

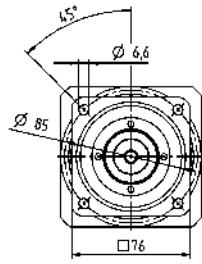
<sup>d)</sup> Please reduce input speed at higher ambient temperatures

<sup>e)</sup> Valid for: Smooth shaft

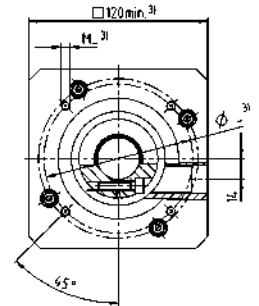
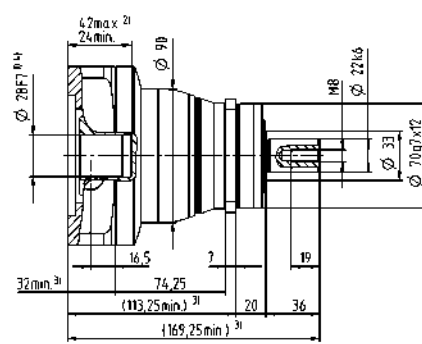
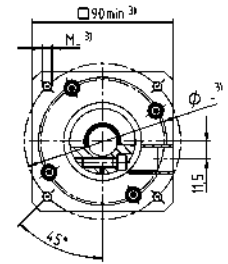
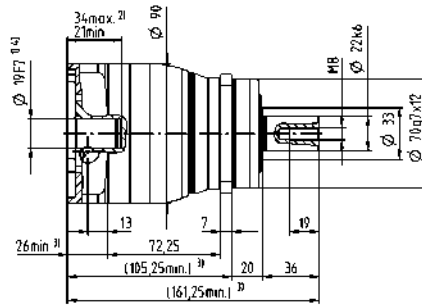
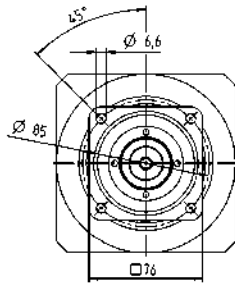
# 1-stage

Motor shaft diameter [mm]

up to 19<sup>4)</sup> (E)<sup>5)</sup>  
clamping hub diameter



up to 28<sup>4)</sup> (H)  
clamping hub diameter

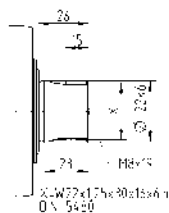
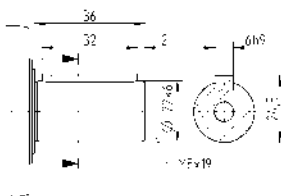


Planetary Gearboxes  
Value Line

## Other output variants

Shaft with key

Splined shaft (DIN 5480)



Non-tolerated dimensions are nominal dimensions

<sup>1)</sup> Check motor shaft fit

<sup>2)</sup> Min. / Max. permissible motor shaft length

Longer motor shafts are possible, please contact alpha

<sup>3)</sup> The dimensions depend on the motor

<sup>4)</sup> Smaller motor shaft diameter is compensated

by a bushing with a minimum wall thickness of 1 mm

<sup>5)</sup> Standard clamping hub diameter

# NPS 025 MF 2-stage

			2-stage															
Ratio	i		9	12	15	16	20	25	28	30	32	35	40	50	64	70	100	
Max. torque <sup>a) b) e)</sup>	$T_{2a}$	Nm	128	128	128	152	152	160	152	128	144	160	152	160	144	160	144	
		in.lb	1133	1133	1133	1345	1345	1416	1345	1133	1275	1416	1345	1416	1275	1416	1275	
Max. acceleration torque <sup>e)</sup> (max. 1000 cycles per hour)	$T_{2B}$	Nm	80	80	80	95	95	100	95	80	90	100	95	100	90	100	90	
		in.lb	708	708	708	841	841	885	841	708	797	885	841	885	797	885	797	
Emergency stop torque <sup>a) b) e)</sup> (permitted 1000 times during the service life of the gearbox)	$T_{2Not}$	Nm	190	190	190	190	190	190	190	190	190	190	190	190	190	190	190	
		in.lb	1682	1682	1682	1682	1682	1682	1682	1682	1682	1682	1682	1682	1682	1682	1682	
Permitted average input speed <sup>d)</sup> (at $T_{2N}$ and 20 °C ambient temperature)	$n_{1N}$	rpm	2900	3500	3700	3500	3700	3700	4000	4300	4100	4000	4300	4300	4100	4300	4300	
Max. input speed	$n_{1Max}$	rpm	8000	8000	8000	8000	8000	8000	8000	8000	8000	8000	8000	8000	8000	8000	8000	
Mean no load running torque <sup>b)</sup> (at $n_1=3000$ rpm and 20 °C gearbox temperature)	$T_{012}$	Nm	0.67	0.55	0.47	0.46	0.4	0.36	0.34	0.33	0.32	0.31	0.29	0.27	0.25	0.25	0.23	
		in.lb	5.9	4.9	4.2	4.1	3.5	3.2	3	2.9	2.8	2.7	2.6	2.4	2.2	2.2	2	
Max. backlash	$j_l$	arcmin	≤ 10															
Torsional rigidity <sup>b)</sup>	$C_{t21}$	Nm/arcmin	10	10	10	10	10	9.5	10	10	10	9.5	10	9.5	8.5	9.5	8.5	
		in.lb/arcmin	89	89	89	89	89	84	89	89	89	84	89	84	75	84	75	
Max. axial force <sup>c)</sup>	$F_{2AMax}$	N	3350															
		lb <sub>f</sub>	754															
Max. lateral force <sup>c)</sup>	$F_{2QMMax}$	N	4200															
		lb <sub>f</sub>	945															
Max. tilting moment	$M_{2KMMax}$	Nm	236															
		in.lb	2089															
Efficiency at full load	$\eta$	%	95															
Service life	$L_n$	h	> 20000															
Weight (incl. standard adapter plate)	m	kg	3.9															
		lb <sub>m</sub>	8.6															
Operating noise (at reference ratio and reference speed – ratio-specific values available in cymex <sup>®</sup> )	$L_{PA}$	dB(A)	≤ 59															
Max. permitted housing temperature		°C	+90															
		°F	+194															
Ambient temperature		°C	-15 to +40															
		°F	+5 to +104															
Lubrication			Lubricated for life															
Direction of rotation			In- and output same direction															
Protection class			IP 65															
Elastomer coupling (recommended product type – validate sizing with cymex <sup>®</sup> )			ELC-0060BA022.000-X															
Bore diameter of coupling on the application side		mm	X = 012.000 - 032.000															
Mass moment of inertia (relates to the drive) Clamping hub diameter [mm]	A	9	$J_1$	kgcm <sup>2</sup>	0.26	0.22	0.21	0.21	0.2	0.2	0.19	0.19	0.19	0.19	0.19	0.19	0.19	0.19
				10 <sup>-3</sup> in.lb.s <sup>2</sup>	0.23	0.19	0.19	0.19	0.18	0.18	0.17	0.17	0.17	0.17	0.17	0.17	0.17	0.17
	B	11	$J_1$	kgcm <sup>2</sup>	0.28	0.24	0.23	0.23	0.22	0.22	0.21	0.21	0.21	0.21	0.21	0.21	0.21	0.21
				10 <sup>-3</sup> in.lb.s <sup>2</sup>	0.25	0.21	0.2	0.2	0.19	0.19	0.19	0.19	0.19	0.19	0.19	0.19	0.19	0.19
	C	14	$J_1$	kgcm <sup>2</sup>	0.35	0.31	0.3	0.3	0.3	0.29	0.29	0.28	0.28	0.28	0.28	0.28	0.28	0.28
				10 <sup>-3</sup> in.lb.s <sup>2</sup>	0.31	0.27	0.27	0.27	0.27	0.26	0.26	0.25	0.25	0.25	0.25	0.25	0.25	0.25
	D	16	$J_1$	kgcm <sup>2</sup>	0.48	0.44	0.43	0.43	0.42	0.42	0.41	0.41	0.41	0.41	0.41	0.41	0.41	0.41
				10 <sup>-3</sup> in.lb.s <sup>2</sup>	0.42	0.39	0.38	0.38	0.37	0.37	0.36	0.36	0.36	0.36	0.36	0.36	0.36	0.36
	E	19	$J_1$	kgcm <sup>2</sup>	0.56	0.52	0.51	0.52	0.51	0.5	0.5	0.5	0.5	0.5	0.49	0.49	0.49	0.49
				10 <sup>-3</sup> in.lb.s <sup>2</sup>	0.5	0.46	0.45	0.46	0.45	0.44	0.44	0.44	0.44	0.44	0.43	0.43	0.43	0.43

Please use our sizing software cymex<sup>®</sup> for a detailed sizing – [www.wittenstein-cymex.com](http://www.wittenstein-cymex.com)

<sup>a)</sup> Valid for torque transmission only

<sup>b)</sup> Valid for standard clamping hub diameter

<sup>c)</sup> Refers to center of the output shaft or flange

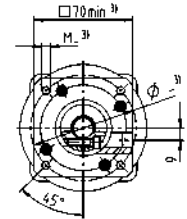
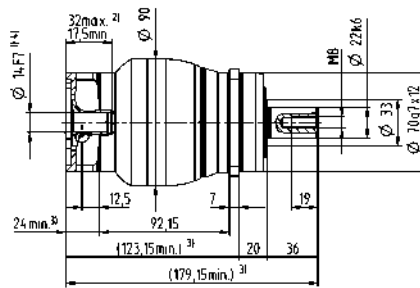
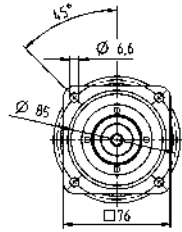
<sup>d)</sup> Please reduce input speed at higher ambient temperatures

<sup>e)</sup> Valid for: Smooth shaft

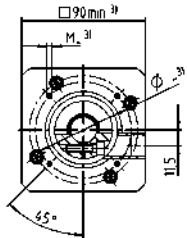
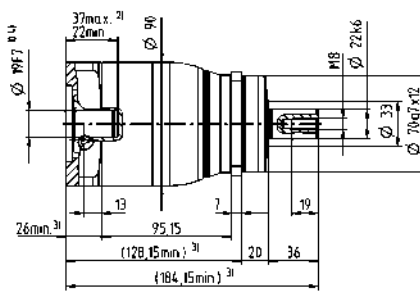
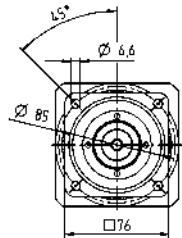
# 2-stage

Motor shaft diameter [mm]

up to 14<sup>4)</sup> (C)<sup>5)</sup>  
clamping hub diameter



up to 19<sup>4)</sup> (E)  
clamping hub diameter

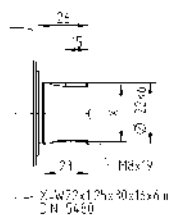
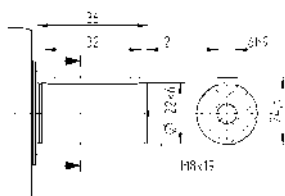


Planetary Gearboxes  
Value Line

## Other output variants

Shaft with key

Splined shaft (DIN 5480)



Non-tolerated dimensions are nominal dimensions

<sup>1)</sup> Check motor shaft fit

<sup>2)</sup> Min. / Max. permissible motor shaft length

Longer motor shafts are possible, please contact alpha

<sup>3)</sup> The dimensions depend on the motor

<sup>4)</sup> Smaller motor shaft diameter is compensated

by a bushing with a minimum wall thickness of 1 mm

<sup>5)</sup> Standard clamping hub diameter

# NPS 035 MF 1-stage

			1-stage							
Ratio	i		3	4	5	7	8	10		
Max. torque <sup>a) b) e)</sup>	$T_{2a}$	Nm	320	408	400	400	352	352		
		in.lb	2832	3611	3540	3540	3115	3115		
Max. acceleration torque <sup>e)</sup> (max. 1000 cycles per hour)	$T_{2B}$	Nm	200	255	250	250	220	220		
		in.lb	1770	2257	2213	2213	1947	1947		
Emergency stop torque <sup>a) b) e)</sup> (permitted 1000 times during the service life of the gearbox)	$T_{2Not}$	Nm	500	500	500	500	500	500		
		in.lb	4425	4425	4425	4425	4425	4425		
Permitted average input speed <sup>d)</sup> (at $T_{2a}$ and 20 °C ambient temperature)	$n_{1N}$	rpm	2000	2200	2300	2500	2600	2700		
Max. input speed	$n_{1Max}$	rpm	6000	6000	6000	6000	6000	6000		
Mean no load running torque <sup>b)</sup> (at $n_1=3000$ rpm and 20 °C gearbox temperature)	$T_{012}$	Nm	3.3	2.7	2.3	1.9	1.7	1.5		
		in.lb	29	24	20	17	15	13		
Max. backlash	$j_l$	arcmin	≤ 8							
Torsional rigidity <sup>b)</sup>	$C_{t21}$	Nm/arcmin	25	25	25	25	22	22		
		in.lb/arcmin	221	221	221	221	195	195		
Max. axial force <sup>c)</sup>	$F_{2AMax}$	N	5650							
		lb <sub>f</sub>	1271							
Max. lateral force <sup>c)</sup>	$F_{2QMMax}$	N	6600							
		lb <sub>f</sub>	1485							
Max. tilting moment	$M_{2KMMax}$	Nm	487							
		in.lb	4310							
Efficiency at full load	$\eta$	%	97							
Service life	$L_n$	h	> 20000							
Weight (incl. standard adapter plate)	m	kg	8.4							
		lb <sub>m</sub>	19							
Operating noise (at reference ratio and reference speed – ratio-specific values available in cymex <sup>®</sup> )	$L_{PA}$	dB(A)	≤ 65							
Max. permitted housing temperature		°C	+90							
		°F	+194							
Ambient temperature		°C	-15 to +40							
		°F	+5 to +104							
Lubrication			Lubricated for life							
Direction of rotation			In- and output same direction							
Protection class			IP 65							
Elastomer coupling (recommended product type – validate sizing with cymex <sup>®</sup> )			ELC-0150BA032.000-X							
Bore diameter of coupling on the application side		mm	X = 019.000 - 036.000							
Mass moment of inertia (relates to the drive) Clamping hub diameter [mm]	E	19	$J_1$	kgcm <sup>2</sup>	2.5	1.7	1.3	1	0.94	0.87
				10 <sup>-3</sup> in.lb.s <sup>2</sup>	2.2	1.5	1.2	0.89	0.83	0.77
	G	24	$J_1$	kgcm <sup>2</sup>	3.3	2.4	2.1	1.8	1.7	1.6
				10 <sup>-3</sup> in.lb.s <sup>2</sup>	2.9	2.1	1.9	1.6	1.5	1.4
	H	28	$J_1$	kgcm <sup>2</sup>	3	2.2	1.8	1.5	1.4	1.4
				10 <sup>-3</sup> in.lb.s <sup>2</sup>	2.7	1.9	1.6	1.3	1.2	1.2
	I	32	$J_1$	kgcm <sup>2</sup>	7.1	6.2	5.9	5.6	5.5	5.4
				10 <sup>-3</sup> in.lb.s <sup>2</sup>	6.3	5.5	5.2	5	4.9	4.8
	K	38	$J_1$	kgcm <sup>2</sup>	8.3	7.4	7.1	6.7	6.6	6.6
				10 <sup>-3</sup> in.lb.s <sup>2</sup>	7.3	6.5	6.3	5.9	5.8	5.8

Please use our sizing software cymex<sup>®</sup> for a detailed sizing – [www.wittenstein-cymex.com](http://www.wittenstein-cymex.com)

<sup>a)</sup> Valid for torque transmission only

<sup>b)</sup> Valid for standard clamping hub diameter

<sup>c)</sup> Refers to center of the output shaft or flange

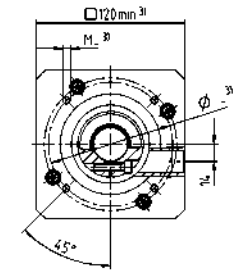
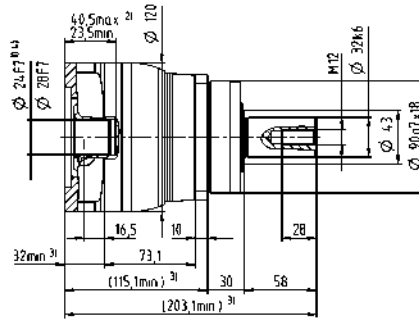
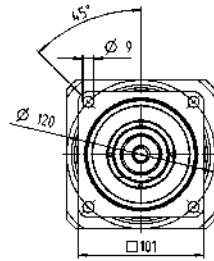
<sup>d)</sup> Please reduce input speed at higher ambient temperatures

<sup>e)</sup> Valid for: Smooth shaft



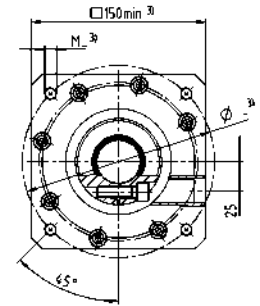
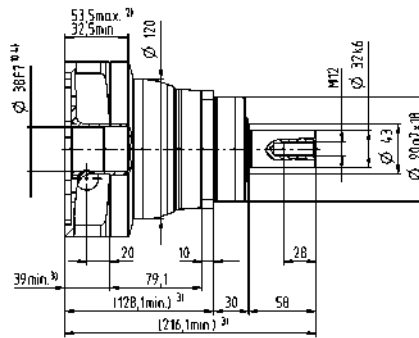
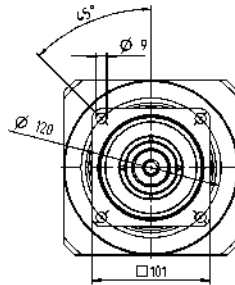
# 1-stage

up to 24/28<sup>4)</sup>  
(G<sup>5)</sup>/H)  
clamping hub  
diameter



# 1-stage

up to 38<sup>4)</sup> (K)  
clamping hub  
diameter

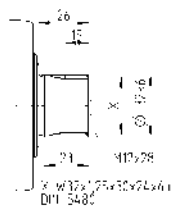
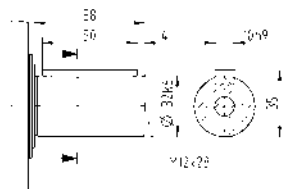


Motor shaft diameter [mm]

## Other output variants

Shaft with key

Splined shaft (DIN 5480)



Non-tolerated dimensions are nominal dimensions

<sup>1)</sup> Check motor shaft fit

<sup>2)</sup> Min. / Max. permissible motor shaft length

Longer motor shafts are possible, please contact alpha

<sup>3)</sup> The dimensions depend on the motor

<sup>4)</sup> Smaller motor shaft diameter is compensated

by a bushing with a minimum wall thickness of 1 mm

<sup>5)</sup> Standard clamping hub diameter

# NPS 035 MF 2-stage

			2-stage																
Ratio	i		9	12	15	16	20	25	28	30	32	35	40	50	64	70	100		
Max. torque <sup>a) b) e)</sup>	$T_{2a}$	Nm	320	320	320	408	408	400	408	320	408	400	408	400	352	400	352		
		in.lb	2832	2832	2832	3611	3611	3540	3611	2832	3611	3540	3611	3540	3115	3540	3115		
Max. acceleration torque <sup>e)</sup> (max. 1000 cycles per hour)	$T_{2B}$	Nm	200	200	200	255	255	250	255	200	255	250	255	250	220	250	220		
		in.lb	1770	1770	1770	2257	2257	2213	2257	1770	2257	2213	2257	2213	1947	2213	1947		
Emergency stop torque <sup>a) b) e)</sup> (permitted 1000 times during the service life of the gearbox)	$T_{2Not}$	Nm	500	500	500	500	500	500	500	500	500	500	500	500	500	500	500		
		in.lb	4425	4425	4425	4425	4425	4425	4425	4425	4425	4425	4425	4425	4425	4425	4425		
Permitted average input speed <sup>d)</sup> (at $T_{2N}$ and 20 °C ambient temperature)	$n_{1N}$	rpm	2700	3300	3400	3300	3400	3400	3600	3900	3700	3600	3900	3900	3700	3900	3900		
Max. input speed	$n_{1Max}$	rpm	7000	7000	7000	7000	7000	7000	7000	7000	7000	7000	7000	7000	7000	7000	7000		
Mean no load running torque <sup>b)</sup> (at $n_1=3000$ rpm and 20 °C gearbox temperature)	$T_{012}$	Nm	1.7	1.4	1.2	1.2	1.1	1	0.93	0.88	0.88	0.87	0.81	0.77	0.75	0.72	0.68		
		in.lb	15	12	11	11	9.7	8.9	8.2	7.8	7.8	7.7	7.2	6.8	6.6	6.4	6		
Max. backlash	$j_l$	arcmin	≤ 10																
Torsional rigidity <sup>b)</sup>	$C_{i21}$	Nm/arcmin	25	25	25	25	25	25	25	25	25	25	25	25	22	25	22		
		in.lb/arcmin	221	221	221	221	221	221	221	221	221	221	221	221	195	221	195		
Max. axial force <sup>c)</sup>	$F_{2AMax}$	N	5650																
		lb <sub>f</sub>	1271																
Max. lateral force <sup>c)</sup>	$F_{2QMMax}$	N	6600																
		lb <sub>f</sub>	1485																
Max. tilting moment	$M_{2KMMax}$	Nm	487																
		in.lb	4310																
Efficiency at full load	$\eta$	%	95																
Service life	$L_n$	h	> 20000																
Weight (incl. standard adapter plate)	m	kg	8.8																
		lb <sub>m</sub>	19																
Operating noise (at reference ratio and reference speed – ratio-specific values available in cymex <sup>®</sup> )	$L_{PA}$	dB(A)	≤ 61																
Max. permitted housing temperature		°C	+90																
		°F	+194																
Ambient temperature		°C	-15 to +40																
		°F	+5 to +104																
Lubrication			Lubricated for life																
Direction of rotation			In- and output same direction																
Protection class			IP 65																
Elastomer coupling (recommended product type – validate sizing with cymex <sup>®</sup> )			ELC-0150BA032.000-X																
Bore diameter of coupling on the application side		mm	X = 019.000 - 036.000																
Mass moment of inertia (relates to the drive) Clamping hub diameter [mm]	C	14	$J_1$	kgcm <sup>2</sup>	0.6	0.59	0.6	0.43	0.42	0.36	0.37	0.52	0.38	0.32	0.36	0.31	0.26	0.27	0.24
				10 <sup>-3</sup> in.lb.s <sup>2</sup>	0.53	0.52	0.53	0.38	0.37	0.32	0.33	0.46	0.34	0.28	0.32	0.27	0.23	0.24	0.21
	D	16	$J_1$	kgcm <sup>2</sup>	0.75	0.74	0.74	0.58	0.57	0.5	0.5	0.67	0.52	0.45	0.51	0.46	0.4	0.41	0.39
				10 <sup>-3</sup> in.lb.s <sup>2</sup>	0.66	0.65	0.65	0.51	0.5	0.44	0.44	0.59	0.46	0.4	0.45	0.41	0.35	0.36	0.35
	E	19	$J_1$	kgcm <sup>2</sup>	0.84	0.83	0.83	0.66	0.65	0.59	0.6	0.75	0.61	0.55	0.6	0.54	0.49	0.5	0.48
				10 <sup>-3</sup> in.lb.s <sup>2</sup>	0.74	0.73	0.73	0.58	0.58	0.52	0.53	0.66	0.54	0.49	0.53	0.48	0.43	0.44	0.42
	G	24	$J_1$	kgcm <sup>2</sup>	1.9	1.9	1.9	1.7	1.7	1.6	1.6	1.8	1.6	1.6	1.6	1.6	1.5	1.5	1.5
				10 <sup>-3</sup> in.lb.s <sup>2</sup>	1.7	1.6	1.7	1.5	1.5	1.4	1.5	1.6	1.5	1.4	1.4	1.4	1.4	1.3	1.4
	H	28	$J_1$	kgcm <sup>2</sup>	1.6	1.6	1.6	1.4	1.4	1.3	1.3	1.5	1.4	1.3	1.3	1.3	1.2	1.2	1.2
				10 <sup>-3</sup> in.lb.s <sup>2</sup>	1.4	1.4	1.4	1.2	1.2	1.2	1.2	1.3	1.2	1.1	1.2	1.1	1.1	1.1	1.1

Please use our sizing software cymex<sup>®</sup> for a detailed sizing – [www.wittenstein-cymex.com](http://www.wittenstein-cymex.com)

<sup>a)</sup> Valid for torque transmission only

<sup>b)</sup> Valid for standard clamping hub diameter

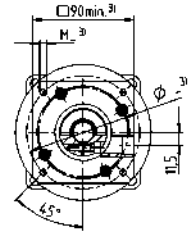
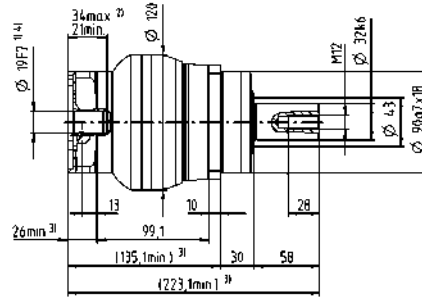
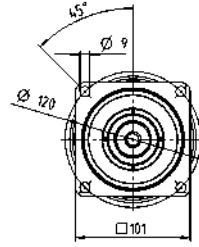
<sup>c)</sup> Refers to center of the output shaft or flange

<sup>d)</sup> Please reduce input speed at higher ambient temperatures

<sup>e)</sup> Valid for: Smooth shaft

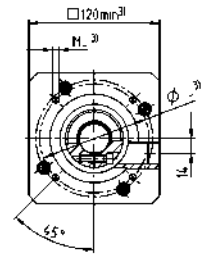
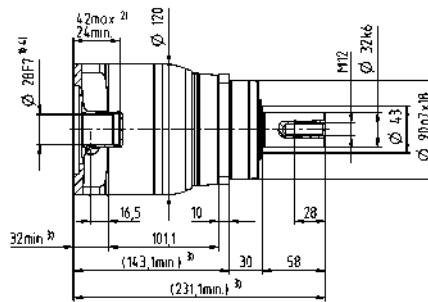
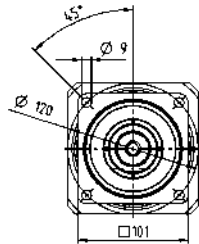
# 2-stage

up to 19<sup>4)</sup> (E)<sup>5)</sup>  
clamping hub  
diameter



Motor shaft diameter [mm]

up to 28<sup>4)</sup> (H)  
clamping hub  
diameter

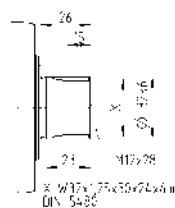
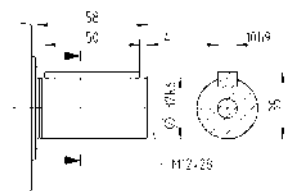


Planetary Gearboxes  
Value Line

## Other output variants

Shaft with key

Splined shaft (DIN 5480)



Non-tolerated dimensions are nominal dimensions

<sup>1)</sup> Check motor shaft fit

<sup>2)</sup> Min. / Max. permissible motor shaft length

Longer motor shafts are possible, please contact alpha

<sup>3)</sup> The dimensions depend on the motor

<sup>4)</sup> Smaller motor shaft diameter is compensated

by a bushing with a minimum wall thickness of 1 mm

<sup>5)</sup> Standard clamping hub diameter

# NPS 045 MF 1-/2-stage

			1-stage			2-stage						
Ratio	i		5	8	10	25	32	50	64	100		
Max. torque <sup>a) b) e)</sup>	$T_{2a}$	Nm	800	640	640	700	640	700	640	640		
		in.lb	7081	5665	5665	6196	5665	6196	5665	5665		
Max. acceleration torque <sup>e)</sup> (max. 1000 cycles per hour)	$T_{2B}$	Nm	500	400	400	500	400	500	400	400		
		in.lb	4425	3540	3540	4425	3540	4425	3540	3540		
Emergency stop torque <sup>a) b) e)</sup> (permitted 1000 times during the service life of the gearbox)	$T_{2Not}$	Nm	1000	1000	1000	1000	1000	1000	1000	1000		
		in.lb	8851	8851	8851	8851	8851	8851	8851	8851		
Permitted average input speed <sup>d)</sup> (at $T_{2a}$ and 20 °C ambient temperature)	$n_{1N}$	rpm	1800	1900	2000	2600	2500	3000	2900	3000		
Max. input speed	$n_{1Max}$	rpm	4000	4000	4000	6000	6000	6000	6000	6000		
Mean no load running torque <sup>b)</sup> (at $n_1=3000$ rpm and 20 °C gearbox temperature)	$T_{012}$	Nm	4.2	3	2.6	1.6	1.5	1.2	1.1	0.97		
		in.lb	37	27	23	14	13	11	9.7	8.6		
Max. backlash	$j_l$	arcmin	≤ 8			≤ 10						
Torsional rigidity <sup>b)</sup>	$C_{i21}$	Nm/arcmin	55	44	44	55	44	55	44	44		
		in.lb/arcmin	487	389	389	487	389	487	389	389		
Max. axial force <sup>c)</sup>	$F_{2AMax}$	N	9870			9870						
		lb <sub>f</sub>	2221			2221						
Max. lateral force <sup>c)</sup>	$F_{2QMax}$	N	9900			9900						
		lb <sub>f</sub>	2228			2228						
Max. tilting moment	$M_{2KMMax}$	Nm	952			952						
		in.lb	8426			8426						
Efficiency at full load	$\eta$	%	97			95						
Service life	$L_n$	h	> 20000			> 20000						
Weight (incl. standard adapter plate)	m	kg	19			19						
		lb <sub>m</sub>	42			42						
Operating noise (at reference ratio and reference speed – ratio-specific values available in cymex <sup>®</sup> )	$L_{PA}$	dB(A)	≤ 68			≤ 65						
Max. permitted housing temperature		°C	+90			+90						
		°F	+194			+194						
Ambient temperature		°C	-15 to +40			-15 to +40						
		°F	+5 to +104			+5 to +104						
Lubrication			Lubricated for life									
Direction of rotation			In- and output same direction									
Protection class			IP 65									
Elastomer coupling (recommended product type – validate sizing with cymex <sup>®</sup> )			ELC-0300BA040.000-X									
Bore diameter of coupling on the application side		mm	X = 020.000 - 045.000									
Mass moment of inertia (relates to the drive) Clamping hub diameter [mm]	E	19	$J_1$	kgcm <sup>2</sup>	-	-	-	1.2	1.1	1	0.88	0.82
				10 <sup>-3</sup> in.lb.s <sup>2</sup>	-	-	-	1.1	0.97	0.89	0.78	0.73
	G	24	$J_1$	kgcm <sup>2</sup>	-	-	-	2	1.9	1.8	1.7	1.6
				10 <sup>-3</sup> in.lb.s <sup>2</sup>	-	-	-	1.8	1.7	1.6	1.5	1.4
	H	28	$J_1$	kgcm <sup>2</sup>	-	-	-	1.7	1.6	1.5	1.4	1.3
				10 <sup>-3</sup> in.lb.s <sup>2</sup>	-	-	-	1.5	1.4	1.3	1.2	1.2
	I	32	$J_1$	kgcm <sup>2</sup>	-	-	-	5.8	5.7	5.6	5.4	5.4
				10 <sup>-3</sup> in.lb.s <sup>2</sup>	-	-	-	5.1	5	5	4.8	4.8
	K	38	$J_1$	kgcm <sup>2</sup>	8.7	7.3	7.2	7	6.9	6.8	6.6	6.5
				10 <sup>-3</sup> in.lb.s <sup>2</sup>	7.7	6.5	6.4	6.2	6.1	6	5.8	5.8

Please use our sizing software cymex<sup>®</sup> for a detailed sizing – [www.wittenstein-cymex.com](http://www.wittenstein-cymex.com)

<sup>a)</sup> Valid for torque transmission only

<sup>b)</sup> Valid for standard clamping hub diameter

<sup>c)</sup> Refers to center of the output shaft or flange

<sup>d)</sup> Please reduce input speed at higher ambient temperatures

<sup>e)</sup> Valid for: Smooth shaft



# NPS 015 MA 1-/2-stage

			1-stage		2-stage							
Ratio	i		3	4	12	15	16	20	28	30	40	
Max. torque <sup>a) b) e)</sup>	$T_{2a}$	Nm	80	67	62	67	67	67	67	62	67	
		in.lb	708	593	549	593	593	593	593	593	549	593
Max. acceleration torque <sup>e)</sup> (max. 1000 cycles per hour)	$T_{2B}$	Nm	55	42	39	42	42	42	42	39	42	
		in.lb	487	372	345	372	372	372	372	345	372	
Emergency stop torque <sup>a) b) e)</sup> (permitted 1000 times during the service life of the gearbox)	$T_{2Not}$	Nm	80	80	80	80	80	80	80	80	80	
		in.lb	708	708	708	708	708	708	708	708	708	
Permitted average input speed <sup>d)</sup> (at $T_{2m}$ and 20 °C ambient temperature)	$n_{1N}$	rpm	2900	3100	3800	4000	3800	4000	4300	4600	4600	
Max. input speed	$n_{1Max}$	rpm	8000	8000	10000	10000	10000	10000	10000	10000	10000	
Mean no load running torque <sup>b)</sup> (at $n_1=3000$ rpm and 20 °C gearbox temperature)	$T_{012}$	Nm	0.92	0.74	0.34	0.29	0.29	0.25	0.21	0.21	0.19	
		in.lb	8.1	6.5	3	2.6	2.6	2.2	1.9	1.9	1.7	
Max. backlash	$j_l$	arcmin	≤ 8		≤ 10							
Torsional rigidity <sup>b)</sup>	$C_{i21}$	Nm/arcmin	4	4	4	4	4	4	4	4	4	
		in.lb/arcmin	35	35	35	35	35	35	35	35	35	
Max. axial force <sup>c)</sup>	$F_{2AMax}$	N	2400		2400							
		lb <sub>f</sub>	540		540							
Max. lateral force <sup>c)</sup>	$F_{2QMMax}$	N	2800		2800							
		lb <sub>f</sub>	630		630							
Max. tilting moment	$M_{2KMMax}$	Nm	152		152							
		in.lb	1345		1345							
Efficiency at full load	$\eta$	%	97		95							
Service life	$L_h$	h	> 20000		> 20000							
Weight (incl. standard adapter plate)	m	kg	1.8		1.9							
		lb <sub>m</sub>	4		4.2							
Operating noise (at reference ratio and reference speed – ratio-specific values available in cymex®)	$L_{PA}$	dB(A)	≤ 59		≤ 58							
Max. permitted housing temperature		°C	+90		+90							
		°F	+194		+194							
Ambient temperature		°C	-15 to +40		-15 to +40							
		°F	+5 to +104		+5 to +104							
Lubrication			Lubricated for life									
Direction of rotation			In- and output same direction									
Protection class			IP 65									
Elastomer coupling (recommended product type – validate sizing with cymex®)			ELC-0060BA016.000-X									
Bore diameter of coupling on the application side		mm	X = 012.000 - 032.000									
Mass moment of inertia (relates to the drive) Clamping hub diameter [mm]	Z	8	$J_1$	kgcm <sup>2</sup>	-	-	0.04	0.04	0.03	0.03	0.03	0.03
				10 <sup>-3</sup> in.lb.s <sup>2</sup>	-	-	0.04	0.04	0.03	0.03	0.03	0.03
	A	9	$J_1$	kgcm <sup>2</sup>	0.25	0.19	0.04	0.04	0.03	0.03	0.03	0.03
				10 <sup>-3</sup> in.lb.s <sup>2</sup>	0.22	0.17	0.04	0.04	0.03	0.03	0.03	0.03
	B	11	$J_1$	kgcm <sup>2</sup>	0.26	0.21	0.06	0.06	0.05	0.05	0.05	0.05
				10 <sup>-3</sup> in.lb.s <sup>2</sup>	0.23	0.19	0.05	0.05	0.04	0.04	0.04	0.04
	C	14	$J_1$	kgcm <sup>2</sup>	0.34	0.28	0.14	0.14	0.14	0.13	0.13	0.14
				10 <sup>-3</sup> in.lb.s <sup>2</sup>	0.3	0.25	0.12	0.12	0.12	0.12	0.12	0.12
	D	16	$J_1$	kgcm <sup>2</sup>	0.47	0.41	-	-	-	-	-	-
				10 <sup>-3</sup> in.lb.s <sup>2</sup>	0.42	0.36	-	-	-	-	-	-
	E	19	$J_1$	kgcm <sup>2</sup>	0.55	0.49	-	-	-	-	-	-
				10 <sup>-3</sup> in.lb.s <sup>2</sup>	0.49	0.43	-	-	-	-	-	-

Please use our sizing software cymex® for a detailed sizing – [www.wittenstein-cymex.com](http://www.wittenstein-cymex.com)

<sup>a)</sup> Valid for torque transmission only

<sup>b)</sup> Valid for standard clamping hub diameter

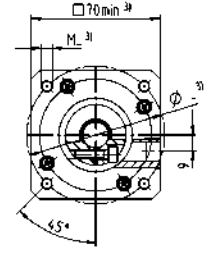
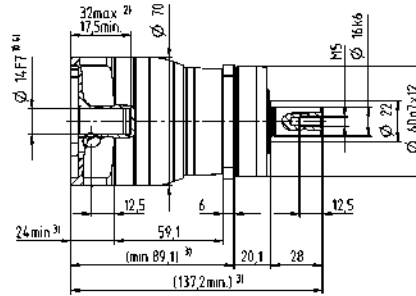
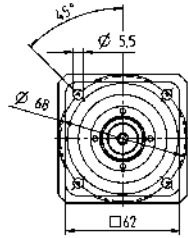
<sup>c)</sup> Refers to center of the output shaft or flange

<sup>d)</sup> Please reduce input speed at higher ambient temperatures

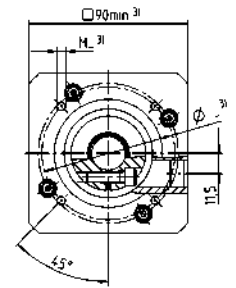
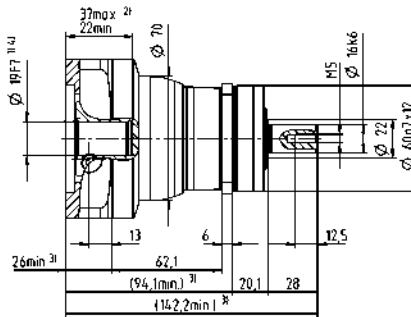
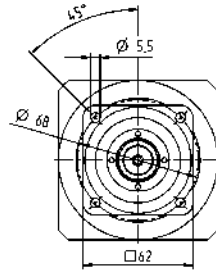
<sup>e)</sup> Valid for: Smooth shaft

# 1-stage

up to 14<sup>4)</sup> (C)<sup>5)</sup>  
clamping hub diameter

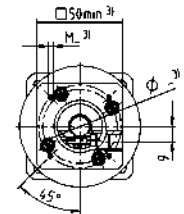
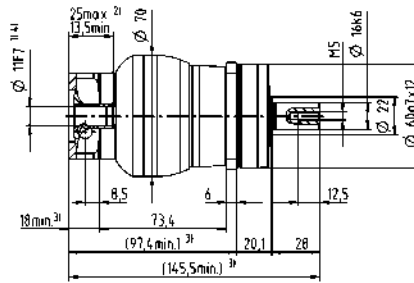
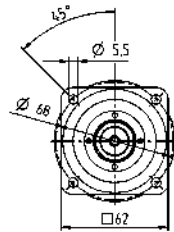


up to 19<sup>4)</sup> (E)  
clamping hub diameter

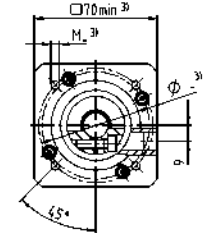
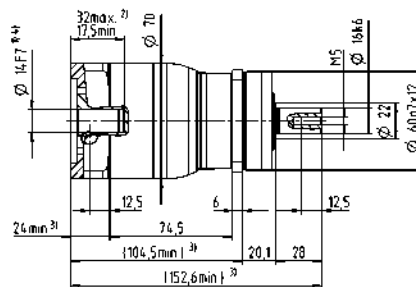
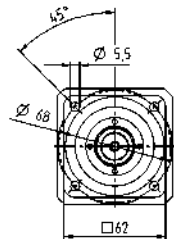


# 2-stage

up to 11<sup>4)</sup> (B)<sup>5)</sup>  
clamping hub diameter



up to 14<sup>4)</sup> (C)  
clamping hub diameter

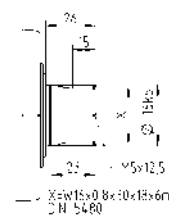
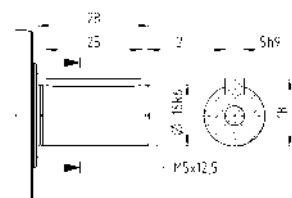


Motor shaft diameter [mm]

## Other output variants

Shaft with key

Splined shaft (DIN 5480)



Non-tolerated dimensions are nominal dimensions

<sup>1)</sup> Check motor shaft fit

<sup>2)</sup> Min. / Max. permissible motor shaft length

Longer motor shafts are possible, please contact alpha

<sup>3)</sup> The dimensions depend on the motor

<sup>4)</sup> Smaller motor shaft diameter is compensated

by a bushing with a minimum wall thickness of 1 mm

<sup>5)</sup> Standard clamping hub diameter

# NPS 025 MA 1-/2-stage

			1-stage		2-stage									
Ratio	i		3	4	9	12	15	16	20	28	30	40		
Max. torque <sup>a) b) e)</sup>	$T_{2a}$	Nm	185	185	185	185	185	185	185	185	168	185		
		in.lb	1637	1637	1637	1637	1637	1637	1637	1637	1637	1487	1637	
Max. acceleration torque <sup>e)</sup> (max. 1000 cycles per hour)	$T_{2B}$	Nm	125	115	125	125	120	115	115	115	105	115		
		in.lb	1106	1018	1106	1106	1062	1018	1018	1018	929	1018		
Emergency stop torque <sup>a) b) e)</sup> (permitted 1000 times during the service life of the gearbox)	$T_{2Not}$	Nm	190	190	190	190	190	190	190	190	190	190		
		in.lb	1682	1682	1682	1682	1682	1682	1682	1682	1682	1682		
Permitted average input speed <sup>d)</sup> (at $T_{2a}$ and 20 °C ambient temperature)	$n_{1N}$	rpm	2700	2900	2900	3500	3700	3500	3700	4000	4300	4300		
Max. input speed	$n_{1Max}$	rpm	7000	7000	8000	8000	8000	8000	8000	8000	8000	8000		
Mean no load running torque <sup>b)</sup> (at $n_1=3000$ rpm and 20 °C gearbox temperature)	$T_{012}$	Nm	1.8	1.5	0.67	0.55	0.47	0.46	0.4	0.34	0.33	0.29		
		in.lb	16	13	5.9	4.9	4.2	4.1	3.5	3	2.9	2.6		
Max. backlash	$j_l$	arcmin	≤ 8		≤ 10									
Torsional rigidity <sup>b)</sup>	$C_{i21}$	Nm/arcmin	12	12	12	12	12	12	12	12	12	12		
		in.lb/arcmin	106	106	106	106	106	106	106	106	106	106		
Max. axial force <sup>c)</sup>	$F_{2AMax}$	N	3350		3350									
		lb <sub>f</sub>	754		754									
Max. lateral force <sup>c)</sup>	$F_{2QMMax}$	N	4200		4200									
		lb <sub>f</sub>	945		945									
Max. tilting moment	$M_{2KMMax}$	Nm	236		236									
		in.lb	2089		2089									
Efficiency at full load	$\eta$	%	97		95									
Service life	$L_n$	h	> 20000		> 20000									
Weight (incl. standard adapter plate)	m	kg	3.6		3.9									
		lb <sub>m</sub>	8		8.6									
Operating noise (at reference ratio and reference speed – ratio-specific values available in cymex®)	$L_{PA}$	dB(A)	≤ 61		≤ 59									
		°C	+90		+90									
Max. permitted housing temperature		°F	+194		+194									
		°C	-15 to +40		-15 to +40									
Ambient temperature		°F	+5 to +104		+5 to +104									
			Lubricated for life											
Direction of rotation			In- and output same direction											
Protection class			IP 65											
Elastomer coupling (recommended product type – validate sizing with cymex®)			ELC-0060BA022.000-X											
Bore diameter of coupling on the application side		mm	X = 012.000 - 032.000											
Mass moment of inertia (relates to the drive) Clamping hub diameter [mm]	A	9	$J_1$	kgcm <sup>2</sup>	-	-	0.26	0.22	0.21	0.21	0.2	0.19	0.19	0.19
				10 <sup>-3</sup> in.lb.s <sup>2</sup>	-	-	0.23	0.19	0.19	0.19	0.18	0.17	0.17	0.17
	B	11	$J_1$	kgcm <sup>2</sup>	-	-	0.28	0.24	0.23	0.23	0.22	0.21	0.21	0.21
				10 <sup>-3</sup> in.lb.s <sup>2</sup>	-	-	0.25	0.21	0.2	0.2	0.19	0.19	0.19	0.19
	C	14	$J_1$	kgcm <sup>2</sup>	0.58	0.47	0.35	0.31	0.3	0.3	0.3	0.29	0.28	0.28
				10 <sup>-3</sup> in.lb.s <sup>2</sup>	0.51	0.42	0.31	0.27	0.27	0.27	0.27	0.26	0.25	0.25
	D	16	$J_1$	kgcm <sup>2</sup>	0.73	0.62	0.48	0.44	0.43	0.43	0.42	0.41	0.41	0.41
				10 <sup>-3</sup> in.lb.s <sup>2</sup>	0.65	0.55	0.42	0.39	0.38	0.38	0.37	0.36	0.36	0.36
	E	19	$J_1$	kgcm <sup>2</sup>	0.81	0.71	0.56	0.52	0.51	0.52	0.51	0.5	0.5	0.49
				10 <sup>-3</sup> in.lb.s <sup>2</sup>	0.72	0.63	0.5	0.46	0.45	0.46	0.45	0.44	0.44	0.43
	G	24	$J_1$	kgcm <sup>2</sup>	1.8	1.7	-	-	-	-	-	-	-	-
				10 <sup>-3</sup> in.lb.s <sup>2</sup>	1.6	1.5	-	-	-	-	-	-	-	-
	H	28	$J_1$	kgcm <sup>2</sup>	1.6	1.4	-	-	-	-	-	-	-	-
				10 <sup>-3</sup> in.lb.s <sup>2</sup>	1.4	1.2	-	-	-	-	-	-	-	-

Please use our sizing software cymex® for a detailed sizing – [www.wittenstein-cymex.com](http://www.wittenstein-cymex.com)

<sup>a)</sup> Valid for torque transmission only

<sup>b)</sup> Valid for standard clamping hub diameter

<sup>c)</sup> Refers to center of the output shaft or flange

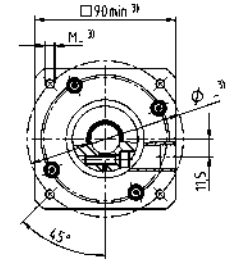
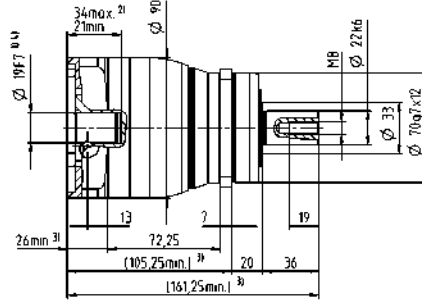
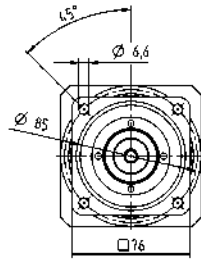
<sup>d)</sup> Please reduce input speed at higher ambient temperatures

<sup>e)</sup> Valid for: Smooth shaft

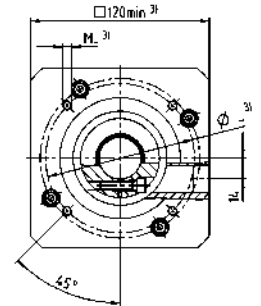
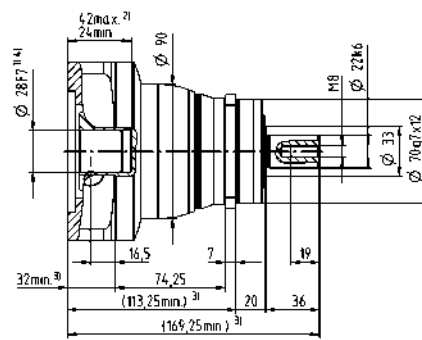
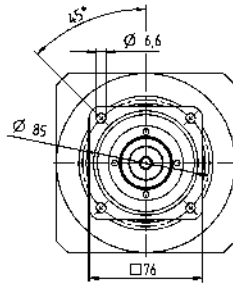


# 1-stage

up to 19<sup>4)</sup> (E)<sup>5)</sup>  
clamping hub  
diameter

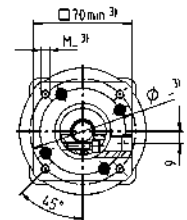
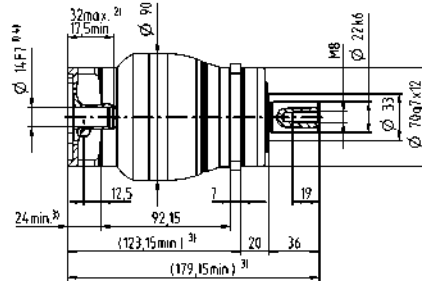
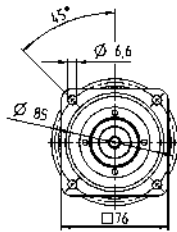


up to 28<sup>4)</sup> (H)  
clamping hub  
diameter

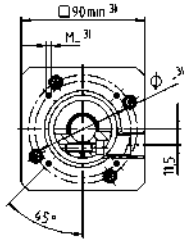
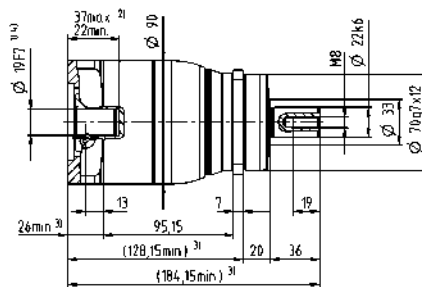
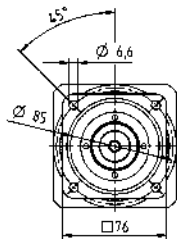


# 2-stage

up to 14<sup>4)</sup> (C)<sup>5)</sup>  
clamping hub  
diameter



up to 19<sup>4)</sup> (E)  
clamping hub  
diameter

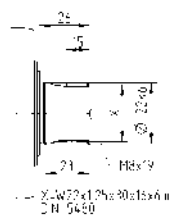
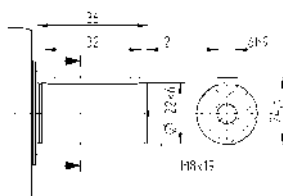


Motor shaft diameter [mm]

## Other output variants

Shaft with key

Splined shaft (DIN 5480)



Non-tolerated dimensions are nominal dimensions

<sup>1)</sup> Check motor shaft fit

<sup>2)</sup> Min. / Max. permissible motor shaft length

Longer motor shafts are possible, please contact alpha

<sup>3)</sup> The dimensions depend on the motor

<sup>4)</sup> Smaller motor shaft diameter is compensated

by a bushing with a minimum wall thickness of 1 mm

<sup>5)</sup> Standard clamping hub diameter

# NPS 035 MA 1-/2-stage

			1-stage		2-stage									
Ratio	i		3	4	9	12	15	16	20	28	30	40		
Max. torque <sup>a) b) e)</sup>	$T_{2a}$	Nm	480	480	480	480	480	480	480	480	432	480		
		in.lb	4248	4248	4248	4248	4248	4248	4248	4248	4248	3824	4248	
Max. acceleration torque <sup>e)</sup> (max. 1000 cycles per hour)	$T_{2B}$	Nm	305	305	305	305	300	305	305	305	270	305		
		in.lb	2699	2699	2699	2699	2655	2699	2699	2699	2390	2699		
Emergency stop torque <sup>a) b) e)</sup> (permitted 1000 times during the service life of the gearbox)	$T_{2Not}$	Nm	500	500	500	500	500	500	500	500	500	500		
		in.lb	4425	4425	4425	4425	4425	4425	4425	4425	4425	4425		
Permitted average input speed <sup>d)</sup> (at $T_{2a}$ and 20 °C ambient temperature)	$n_{1N}$	rpm	2000	2200	2700	3300	3400	3300	3400	3600	3900	3900		
Max. input speed	$n_{1Max}$	rpm	6000	6000	7000	7000	7000	7000	7000	7000	7000	7000		
Mean no load running torque <sup>b)</sup> (at $n_1=3000$ rpm and 20 °C gearbox temperature)	$T_{012}$	Nm	3.3	2.7	1.7	1.4	1.2	1.2	1.1	0.93	0.88	0.81		
		in.lb	29	24	15	12	11	11	9.7	8.2	7.8	7.2		
Max. backlash	$j_l$	arcmin	≤ 8		≤ 10									
Torsional rigidity <sup>b)</sup>	$C_{i21}$	Nm/arcmin	30	30	30	30	30	30	30	30	30	30		
		in.lb/arcmin	266	266	266	266	266	266	266	266	266	266		
Max. axial force <sup>c)</sup>	$F_{2AMax}$	N	5650		5650									
		lb <sub>f</sub>	1271		1271									
Max. lateral force <sup>c)</sup>	$F_{2QMMax}$	N	6600		6600									
		lb <sub>f</sub>	1485		1485									
Max. tilting moment	$M_{2KMMax}$	Nm	487		487									
		in.lb	4310		4310									
Efficiency at full load	$\eta$	%	97		95									
Service life	$L_n$	h	> 20000		> 20000									
Weight (incl. standard adapter plate)	m	kg	8.4		8.8									
		lb <sub>m</sub>	19		19									
Operating noise (at reference ratio and reference speed – ratio-specific values available in cymex®)	$L_{PA}$	dB(A)	≤ 65		≤ 61									
			+90		+90									
Max. permitted housing temperature		°C	+90		+90									
		°F	+194		+194									
Ambient temperature		°C	-15 to +40		-15 to +40									
		°F	+5 to +104		+5 to +104									
Lubrication		Lubricated for life												
Direction of rotation		In- and output same direction												
Protection class		IP 65												
Elastomer coupling (recommended product type – validate sizing with cymex®)		ELC-0150BA032.000-X												
Bore diameter of coupling on the application side		mm	X = 019.000 - 036.000											
Mass moment of inertia (relates to the drive) Clamping hub diameter [mm]	C	14	$J_1$	kgcm <sup>2</sup>	-	-	0.6	0.59	0.6	0.43	0.42	0.37	0.52	0.36
				10 <sup>-3</sup> in.lb.s <sup>2</sup>	-	-	0.53	0.52	0.53	0.38	0.37	0.33	0.46	0.32
	D	16	$J_1$	kgcm <sup>2</sup>	-	-	0.75	0.74	0.74	0.58	0.57	0.5	0.67	0.51
				10 <sup>-3</sup> in.lb.s <sup>2</sup>	-	-	0.66	0.65	0.65	0.51	0.5	0.44	0.59	0.45
	E	19	$J_1$	kgcm <sup>2</sup>	2.5	1.7	0.84	0.83	0.83	0.66	0.65	0.6	0.75	0.6
				10 <sup>-3</sup> in.lb.s <sup>2</sup>	2.2	1.5	0.74	0.73	0.73	0.58	0.58	0.53	0.66	0.53
	G	24	$J_1$	kgcm <sup>2</sup>	3.3	2.4	1.9	1.9	1.9	1.7	1.7	1.6	1.8	1.6
				10 <sup>-3</sup> in.lb.s <sup>2</sup>	2.9	2.1	1.7	1.6	1.7	1.5	1.5	1.5	1.6	1.4
	H	28	$J_1$	kgcm <sup>2</sup>	3	2.2	1.6	1.6	1.6	1.4	1.4	1.3	1.5	1.3
				10 <sup>-3</sup> in.lb.s <sup>2</sup>	2.7	1.9	1.4	1.4	1.4	1.2	1.2	1.2	1.3	1.2
	I	32	$J_1$	kgcm <sup>2</sup>	7.1	6.2	-	-	-	-	-	-	-	-
				10 <sup>-3</sup> in.lb.s <sup>2</sup>	6.3	5.5	-	-	-	-	-	-	-	-
	K	38	$J_1$	kgcm <sup>2</sup>	8.3	7.4	-	-	-	-	-	-	-	-
				10 <sup>-3</sup> in.lb.s <sup>2</sup>	7.3	6.5	-	-	-	-	-	-	-	-

Please use our sizing software cymex® for a detailed sizing – [www.wittenstein-cymex.com](http://www.wittenstein-cymex.com)

<sup>a)</sup> Valid for torque transmission only

<sup>b)</sup> Valid for standard clamping hub diameter

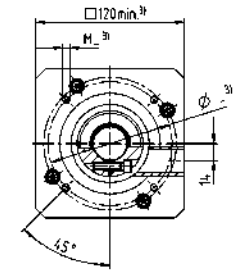
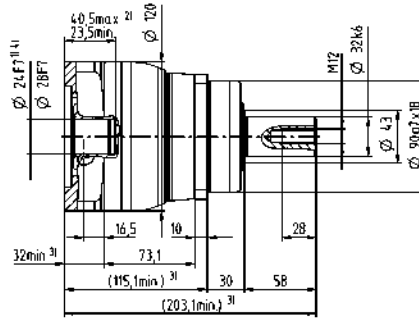
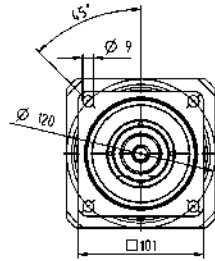
<sup>c)</sup> Refers to center of the output shaft or flange

<sup>d)</sup> Please reduce input speed at higher ambient temperatures

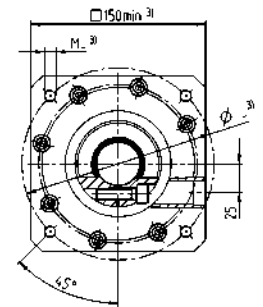
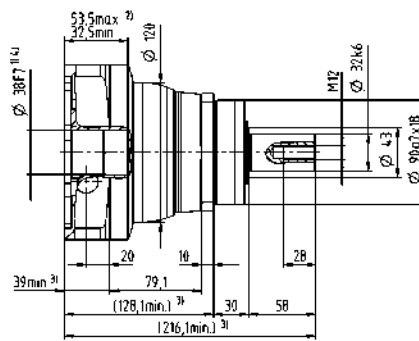
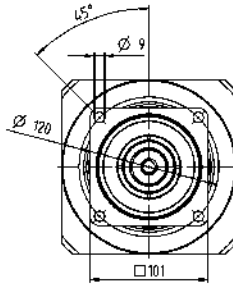
<sup>e)</sup> Valid for: Smooth shaft

# 1-stage

up to 24<sup>4)</sup> (G<sup>5)</sup>/H)  
clamping hub diameter

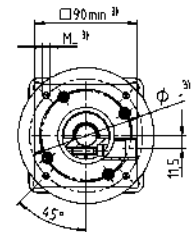
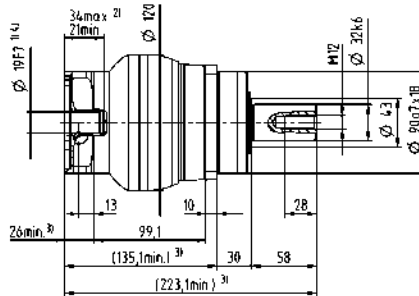
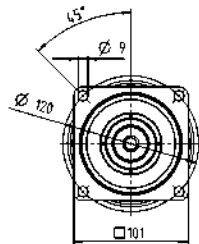


up to 38<sup>4)</sup> (K)  
clamping hub diameter

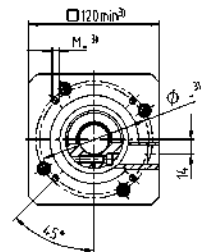
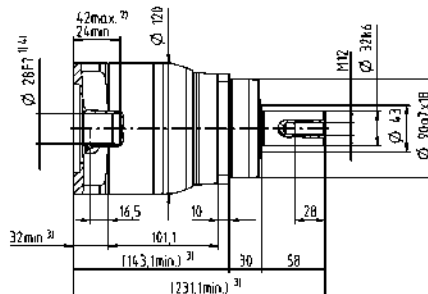
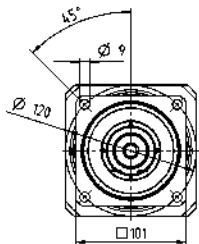


# 2-stage

up to 19<sup>4)</sup> (E)<sup>5)</sup>  
clamping hub diameter



up to 28<sup>4)</sup> (H)  
clamping hub diameter

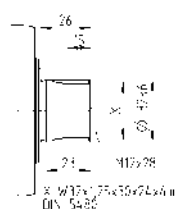
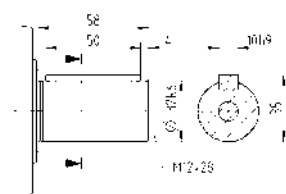


Motor shaft diameter [mm]

## Other output variants

Shaft with key

Splined shaft (DIN 5480)



Non-tolerated dimensions are nominal dimensions

<sup>1)</sup> Check motor shaft fit

<sup>2)</sup> Min. / Max. permissible motor shaft length

Longer motor shafts are possible, please contact alpha

<sup>3)</sup> The dimensions depend on the motor

<sup>4)</sup> Smaller motor shaft diameter is compensated

by a bushing with a minimum wall thickness of 1 mm

<sup>5)</sup> Standard clamping hub diameter

# NPT 005 MF 1-stage

			1-stage						
Ratio	i		4	5	7	8	10		
Max. torque <sup>a) b)</sup>	$T_{2a}$	Nm	18	22	22	21	21		
		in.lb	159	195	195	186	186		
Max. acceleration torque (max. 1000 cycles per hour)	$T_{2B}$	Nm	11	14	14	13	13		
		in.lb	97	124	124	115	115		
Emergency stop torque <sup>a) b)</sup> (permitted 1000 times during the service life of the gearbox)	$T_{2Not}$	Nm	26	26	26	26	26		
		in.lb	230	230	230	230	230		
Permitted average input speed <sup>d)</sup> (at $T_{2a}$ and 20 °C ambient temperature)	$n_{1N}$	rpm	3800	4000	4300	4400	4600		
Max. input speed	$n_{1Max}$	rpm	10000	10000	10000	10000	10000		
Mean no load running torque <sup>b)</sup> (at $n_1=3000$ rpm and 20 °C gearbox temperature)	$T_{012}$	Nm	0.08	0.07	0.05	0.05	0.05		
		in.lb	0.71	0.62	0.44	0.44	0.44		
Max. backlash	$j_t$	arcmin	≤ 10						
Torsional rigidity <sup>b)</sup>	$C_{t21}$	Nm/arcmin	1.2	1.2	1.2	0.85	0.85		
		in.lb/arcmin	11	11	11	7.5	7.5		
Max. axial force <sup>c)</sup>	$F_{2AMax}$	N	600						
		lb <sub>f</sub>	135						
Max. tilting moment	$M_{2KMax}$	Nm	17						
		in.lb	150						
Efficiency at full load	$\eta$	%	97						
Service life	$L_n$	h	> 20000						
Weight (incl. standard adapter plate)	$m$	kg	0.9						
		lb <sub>m</sub>	2						
Operating noise (at reference ratio and reference speed – ratio-specific values available in cymex <sup>®</sup> )	$L_{PA}$	dB(A)	≤ 58						
Max. permitted housing temperature		°C	+90						
		°F	+194						
Ambient temperature		°C	-15 to +40						
		°F	+5 to +104						
Lubrication			Lubricated for life						
Direction of rotation			In- and output same direction						
Protection class			IP 64						
Elastomer coupling (recommended product type – validate sizing with cymex <sup>®</sup> )			ELT-00020BAX-025.00						
Bore diameter of coupling on the application side		mm	X = 008.000 - 025.000						
Mass moment of inertia (relates to the drive) Clamping hub diameter [mm]	Z	8	$J_1$	kgcm <sup>2</sup>	0.04	0.03	0.03	0.03	0.02
				10 <sup>-3</sup> in.lb.s <sup>2</sup>	0.04	0.03	0.03	0.03	0.02
	A	9	$J_1$	kgcm <sup>2</sup>	0.04	0.03	0.03	0.03	0.02
				10 <sup>-3</sup> in.lb.s <sup>2</sup>	0.04	0.03	0.03	0.03	0.02
	B	11	$J_1$	kgcm <sup>2</sup>	0.06	0.05	0.05	0.04	0.04
				10 <sup>-3</sup> in.lb.s <sup>2</sup>	0.05	0.04	0.04	0.04	0.04
	C	14	$J_1$	kgcm <sup>2</sup>	0.14	0.14	0.13	0.13	0.13
				10 <sup>-3</sup> in.lb.s <sup>2</sup>	0.12	0.12	0.12	0.12	0.12

Please use our sizing software cymex<sup>®</sup> for a detailed sizing – [www.wittenstein-cymex.com](http://www.wittenstein-cymex.com)

<sup>a)</sup> Valid for torque transmission only

<sup>b)</sup> Valid for standard clamping hub diameter

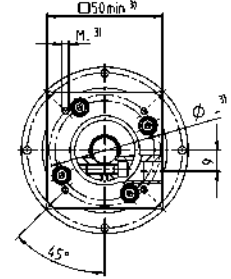
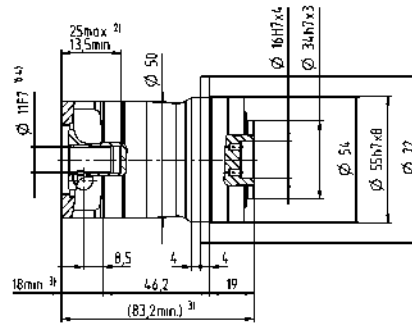
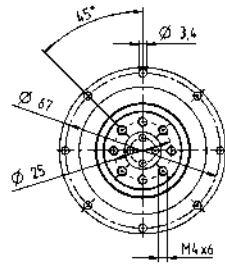
<sup>c)</sup> Refers to center of the output shaft or flange

<sup>d)</sup> Please reduce input speed at higher ambient temperatures

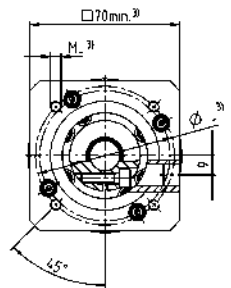
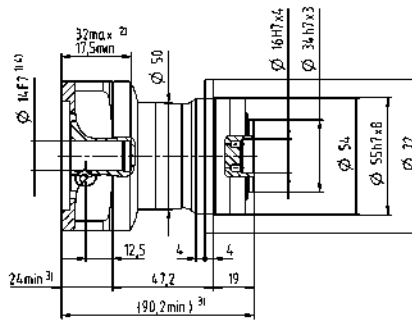
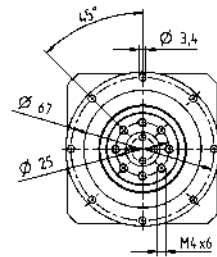
# 1-stage

Motor shaft diameter [mm]

up to 11<sup>4)</sup> (B)<sup>5)</sup>  
clamping hub  
diameter



up to 14<sup>4)</sup> (C)  
clamping hub  
diameter



Non-tolerated dimensions are nominal dimensions

<sup>1)</sup> Check motor shaft fit

<sup>2)</sup> Min. / Max. permissible motor shaft length

Longer motor shafts are possible, please contact alpha

<sup>3)</sup> The dimensions depend on the motor

<sup>4)</sup> Smaller motor shaft diameter is compensated by a bushing with a minimum wall thickness of 1 mm

<sup>5)</sup> Standard clamping hub diameter

# NPT 005 MF 2-stage

			2-stage											
Ratio	i		16	20	25	28	35	40	50	64	70	100		
Max. torque <sup>a) b)</sup>	$T_{2a}$	Nm	18	18	22	18	22	18	22	21	22	21		
		in.lb	159	159	195	159	195	159	195	186	195	186		
Max. acceleration torque (max. 1000 cycles per hour)	$T_{2B}$	Nm	11	11	14	11	14	11	14	13	14	13		
		in.lb	97	97	124	97	124	97	124	115	124	115		
Emergency stop torque <sup>a) b)</sup> (permitted 1000 times during the service life of the gearbox)	$T_{2Not}$	Nm	26	26	26	26	26	26	26	26	26	26		
		in.lb	230	230	230	230	230	230	230	230	230	230		
Permitted average input speed <sup>d)</sup> (at $T_{2N}$ and 20 °C ambient temperature)	$n_{1N}$	rpm	4000	4000	4000	4300	4300	4600	4600	4400	4600	4600		
Max. input speed	$n_{1Max}$	rpm	10000	10000	10000	10000	10000	10000	10000	10000	10000	10000		
Mean no load running torque <sup>b)</sup> (at $n_1=3000$ rpm and 20 °C gearbox temperature)	$T_{012}$	Nm	0.04	0.04	0.03	0.03	0.03	0.03	0.03	0.03	0.03	0.03		
		in.lb	0.35	0.35	0.27	0.27	0.27	0.27	0.27	0.27	0.27	0.27		
Max. backlash	$j_t$	arcmin	≤ 13											
Torsional rigidity <sup>b)</sup>	$C_{t21}$	Nm/arcmin	1.2	1.2	1.2	1.2	1.2	1.2	1.2	0.85	1.2	0.85		
		in.lb/arcmin	11	11	11	11	11	11	11	7.5	11	7.5		
Max. axial force <sup>c)</sup>	$F_{2AMax}$	N	600											
		lb <sub>f</sub>	135											
Max. tilting moment	$M_{2KMMax}$	Nm	17											
		in.lb	150											
Efficiency at full load	$\eta$	%	95											
Service life	$L_n$	h	> 20000											
Weight (incl. standard adapter plate)	m	kg	1.1											
		lb <sub>m</sub>	2.4											
Operating noise (at reference ratio and reference speed – ratio-specific values available in cymex®)	$L_{PA}$	dB(A)	≤ 58											
Max. permitted housing temperature		°C	+90											
		°F	+194											
Ambient temperature		°C	-15 to +40											
		°F	+5 to +104											
Lubrication			Lubricated for life											
Direction of rotation			In- and output same direction											
Protection class			IP 64											
Elastomer coupling (recommended product type – validate sizing with cymex®)			ELT-00020BAX-025.00											
Bore diameter of coupling on the application side		mm	X = 008.000 - 025.000											
Mass moment of inertia (relates to the drive) Clamping hub diameter [mm]	Z	8	$J_1$	kgcm <sup>2</sup>	0.03	0.03	0.03	0.03	0.03	0.02	0.02	0.02	0.02	0.03
				10 <sup>-3</sup> in.lb.s <sup>2</sup>	0.03	0.03	0.03	0.03	0.03	0.02	0.02	0.02	0.02	0.02
	A	9	$J_1$	kgcm <sup>2</sup>	0.03	0.03	0.03	0.03	0.03	0.02	0.02	0.02	0.02	0.03
				10 <sup>-3</sup> in.lb.s <sup>2</sup>	0.03	0.03	0.03	0.03	0.03	0.02	0.02	0.02	0.02	0.02
	B	11	$J_1$	kgcm <sup>2</sup>	0.05	0.05	0.04	0.05	0.04	0.04	0.04	0.04	0.04	0.05
				10 <sup>-3</sup> in.lb.s <sup>2</sup>	0.04	0.04	0.04	0.04	0.04	0.04	0.04	0.04	0.04	0.04
	C	14	$J_1$	kgcm <sup>2</sup>	0.13	0.13	0.13	0.13	0.13	0.13	0.13	0.13	0.13	0.13
				10 <sup>-3</sup> in.lb.s <sup>2</sup>	0.12	0.12	0.12	0.12	0.12	0.12	0.12	0.12	0.12	0.12

Please use our sizing software cymex® for a detailed sizing – [www.wittenstein-cymex.com](http://www.wittenstein-cymex.com)

<sup>a)</sup> Valid for torque transmission only

<sup>b)</sup> Valid for standard clamping hub diameter

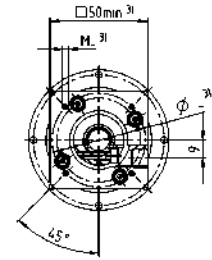
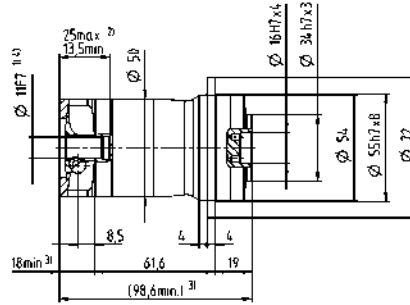
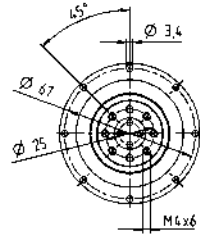
<sup>c)</sup> Refers to center of the output shaft or flange

<sup>d)</sup> Please reduce input speed at higher ambient temperatures

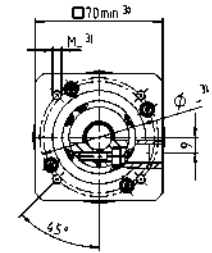
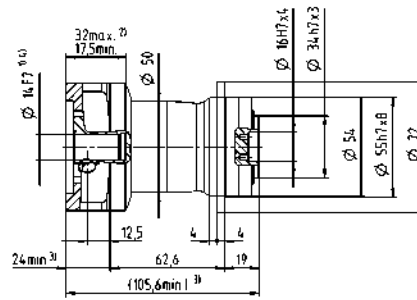
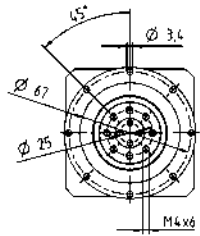
# 2-stage

Motor shaft diameter [mm]

up to 11<sup>4)</sup> (B)<sup>5)</sup>  
clamping hub diameter



up to 14<sup>4)</sup> (C)<sup>5)</sup>  
clamping hub diameter



Non-tolerated dimensions are nominal dimensions

<sup>1)</sup> Check motor shaft fit

<sup>2)</sup> Min. / Max. permissible motor shaft length

Longer motor shafts are possible, please contact alpha

<sup>3)</sup> The dimensions depend on the motor

<sup>4)</sup> Smaller motor shaft diameter is compensated by a bushing with a minimum wall thickness of 1 mm

<sup>5)</sup> Standard clamping hub diameter

# NPT 015 MF 1-stage

			1-stage							
Ratio	i		3	4	5	7	8	10		
Max. torque <sup>a) b)</sup>	$T_{2a}$	Nm	51	56	60	60	56	56		
		in.lb	451	496	531	531	496	496		
Max. acceleration torque (max. 1000 cycles per hour)	$T_{2B}$	Nm	32	35	40	40	35	35		
		in.lb	283	310	354	354	310	310		
Emergency stop torque <sup>a) b)</sup> (permitted 1000 times during the service life of the gearbox)	$T_{2Not}$	Nm	75	75	75	75	75	75		
		in.lb	664	664	664	664	664	664		
Permitted average input speed <sup>d)</sup> (at $T_{2N}$ and 20 °C ambient temperature)	$n_{1N}$	rpm	3300	3500	3700	4000	4100	4300		
Max. input speed	$n_{1Max}$	rpm	8000	8000	8000	8000	8000	8000		
Mean no load running torque <sup>b)</sup> (at $n_1=3000$ rpm and 20 °C gearbox temperature)	$T_{012}$	Nm	0.25	0.2	0.17	0.14	0.13	0.11		
		in.lb	2.2	1.8	1.5	1.2	1.2	0.97		
Max. backlash	$j_t$	arcmin	≤ 8							
Torsional rigidity <sup>b)</sup>	$C_{t21}$	Nm/arcmin	3.3	3.3	3.3	3.3	2.8	2.8		
		in.lb/arcmin	29	29	29	29	25	25		
Max. axial force <sup>c)</sup>	$F_{2AMax}$	N	1380							
		lb <sub>f</sub>	311							
Max. tilting moment	$M_{2KMMax}$	Nm	42							
		in.lb	372							
Efficiency at full load	$\eta$	%	97							
Service life	$L_n$	h	> 20000							
Weight (incl. standard adapter plate)	$m$	kg	2							
		lb <sub>m</sub>	4.4							
Operating noise (at reference ratio and reference speed – ratio-specific values available in cymex®)	$L_{PA}$	dB(A)	≤ 59							
Max. permitted housing temperature		°C	+90							
		°F	+194							
Ambient temperature		°C	-15 to +40							
		°F	+5 to +104							
Lubrication			Lubricated for life							
Direction of rotation			In- and output same direction							
Protection class			IP 64							
Elastomer coupling (recommended product type – validate sizing with cymex®)			ELT-00060BAX-031.50							
Bore diameter of coupling on the application side		mm	X = 018.000 - 032.000							
Mass moment of inertia (relates to the drive) Clamping hub diameter [mm]	A	9	$J_1$	kgcm <sup>2</sup>	0.31	0.23	0.19	0.16	0.15	0.14
				10 <sup>-3</sup> in.lb.s <sup>2</sup>	0.27	0.2	0.17	0.14	0.13	0.12
	B	11	$J_1$	kgcm <sup>2</sup>	0.33	0.24	0.21	0.17	0.17	0.16
				10 <sup>-3</sup> in.lb.s <sup>2</sup>	0.29	0.21	0.19	0.15	0.15	0.14
	C	14	$J_1$	kgcm <sup>2</sup>	0.41	0.32	0.28	0.25	0.24	0.23
				10 <sup>-3</sup> in.lb.s <sup>2</sup>	0.36	0.28	0.25	0.22	0.21	0.2
	D	16	$J_1$	kgcm <sup>2</sup>	0.53	0.45	0.41	0.38	0.37	0.36
				10 <sup>-3</sup> in.lb.s <sup>2</sup>	0.47	0.4	0.36	0.34	0.33	0.32
	E	19	$J_1$	kgcm <sup>2</sup>	0.62	0.53	0.49	0.46	0.45	0.44
				10 <sup>-3</sup> in.lb.s <sup>2</sup>	0.55	0.47	0.43	0.41	0.4	0.39

Please use our sizing software cymex® for a detailed sizing – [www.wittenstein-cymex.com](http://www.wittenstein-cymex.com)

<sup>a)</sup> Valid for torque transmission only

<sup>b)</sup> Valid for standard clamping hub diameter

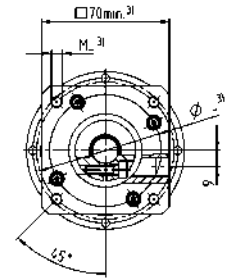
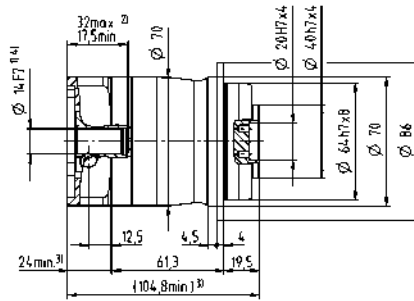
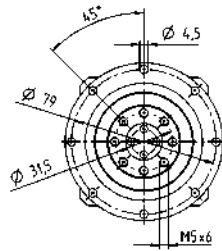
<sup>c)</sup> Refers to center of the output shaft or flange

<sup>d)</sup> Please reduce input speed at higher ambient temperatures



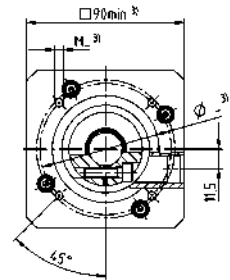
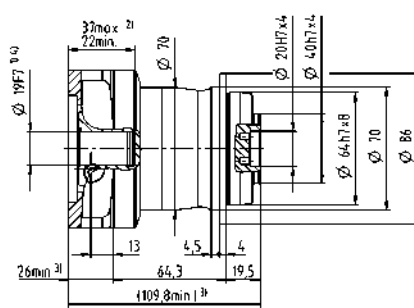
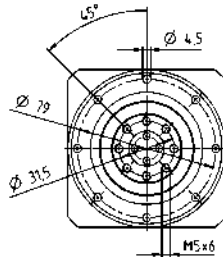
# 1-stage

up to 14<sup>4)</sup> (C)<sup>5)</sup>  
clamping hub  
diameter



Motor shaft diameter [mm]

up to 19<sup>4)</sup> (E)  
clamping hub  
diameter



Non-tolerated dimensions are nominal dimensions

<sup>1)</sup> Check motor shaft fit

<sup>2)</sup> Min. / Max. permissible motor shaft length

Longer motor shafts are possible, please contact alpha

<sup>3)</sup> The dimensions depend on the motor

<sup>4)</sup> Smaller motor shaft diameter is compensated by a bushing with a minimum wall thickness of 1 mm

<sup>5)</sup> Standard clamping hub diameter

# NPT 015 MF 2-stage

			2-stage															
Ratio	i		12	15	16	20	25	28	30	32	35	40	50	64	70	100		
Max. torque <sup>a) b)</sup>	$T_{2a}$	Nm	51	51	56	56	60	56	51	56	60	56	60	56	60	56		
		in.lb	451	451	496	496	531	496	451	496	531	496	531	496	531	496	531	
Max. acceleration torque (max. 1000 cycles per hour)	$T_{2B}$	Nm	32	32	35	35	40	35	32	35	40	35	40	35	40	35		
		in.lb	283	283	310	310	354	310	283	310	354	310	354	310	354	310		
Emergency stop torque <sup>a) b)</sup> (permitted 1000 times during the service life of the gearbox)	$T_{2Not}$	Nm	75	75	75	75	75	75	75	75	75	75	75	75	75	75		
		in.lb	664	664	664	664	664	664	664	664	664	664	664	664	664	664		
Permitted average input speed <sup>d)</sup> (at $T_{2N}$ and 20 °C ambient temperature)	$n_{1N}$	rpm	3800	4000	3800	4000	4000	4300	4600	4400	4300	4600	4600	4400	4600	4600		
Max. input speed	$n_{1Max}$	rpm	10000	10000	10000	10000	10000	10000	10000	10000	10000	10000	10000	10000	10000	10000		
Mean no load running torque <sup>b)</sup> (at $n_1=3000$ rpm and 20 °C gearbox temperature)	$T_{012}$	Nm	0.08	0.07	0.06	0.06	0.05	0.05	0.05	0.04	0.04	0.04	0.04	0.03	0.03	0.03		
		in.lb	0.71	0.62	0.53	0.53	0.44	0.44	0.44	0.35	0.35	0.35	0.35	0.35	0.27	0.27		
Max. backlash	$j_t$	arcmin	≤ 10															
Torsional rigidity <sup>b)</sup>	$C_{t21}$	Nm/arcmin	3.3	3.3	3.3	3.3	3.3	3.3	3.3	3.3	3.3	3.3	3.3	2.8	3.3	2.8		
		in.lb/arcmin	29	29	29	29	29	29	29	29	29	29	29	29	25	29	25	
Max. axial force <sup>c)</sup>	$F_{2AMax}$	N	1380															
		lb <sub>f</sub>	311															
Max. tilting moment	$M_{2KMax}$	Nm	42															
		in.lb	372															
Efficiency at full load	$\eta$	%	95															
Service life	$L_n$	h	> 20000															
Weight (incl. standard adapter plate)	$m$	kg	2.1															
		lb <sub>m</sub>	4.6															
Operating noise (at reference ratio and reference speed – ratio-specific values available in cymex <sup>®</sup> )	$L_{PA}$	dB(A)	≤ 58															
Max. permitted housing temperature		°C	+90															
		°F	+194															
Ambient temperature		°C	-15 to +40															
		°F	+5 to +104															
Lubrication			Lubricated for life															
Direction of rotation			In- and output same direction															
Protection class			IP 64															
Elastomer coupling (recommended product type – validate sizing with cymex <sup>®</sup> )			ELT-00060BAX-031.50															
Bore diameter of coupling on the application side		mm	X = 018.000 - 032.000															
Mass moment of inertia (relates to the drive) Clamping hub diameter [mm]	Z	8	$J_1$	kgcm <sup>2</sup>	0.04	0.04	0.03	0.03	0.03	0.03	0.03	0.03	0.03	0.03	0.02	0.02	0.02	
				10 <sup>-3</sup> in.lb.s <sup>2</sup>	0.04	0.04	0.03	0.03	0.03	0.03	0.03	0.03	0.03	0.03	0.03	0.03	0.02	0.02
	A	9	$J_1$	kgcm <sup>2</sup>	0.04	0.04	0.03	0.03	0.03	0.03	0.03	0.03	0.03	0.03	0.03	0.02	0.02	0.02
				10 <sup>-3</sup> in.lb.s <sup>2</sup>	0.04	0.04	0.03	0.03	0.03	0.03	0.03	0.03	0.03	0.03	0.03	0.03	0.02	0.02
	B	11	$J_1$	kgcm <sup>2</sup>	0.06	0.06	0.05	0.05	0.05	0.05	0.05	0.05	0.05	0.05	0.04	0.04	0.04	0.04
				10 <sup>-3</sup> in.lb.s <sup>2</sup>	0.05	0.05	0.04	0.04	0.04	0.04	0.04	0.04	0.04	0.04	0.04	0.04	0.04	0.04
	C	14	$J_1$	kgcm <sup>2</sup>	0.15	0.14	0.14	0.14	0.13	0.13	0.14	0.13	0.13	0.13	0.13	0.13	0.13	0.13
				10 <sup>-3</sup> in.lb.s <sup>2</sup>	0.13	0.12	0.12	0.12	0.12	0.12	0.12	0.12	0.12	0.12	0.12	0.12	0.12	0.12

Please use our sizing software cymex<sup>®</sup> for a detailed sizing – [www.wittenstein-cymex.com](http://www.wittenstein-cymex.com)

<sup>a)</sup> Valid for torque transmission only

<sup>b)</sup> Valid for standard clamping hub diameter

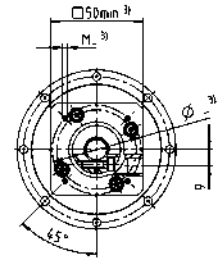
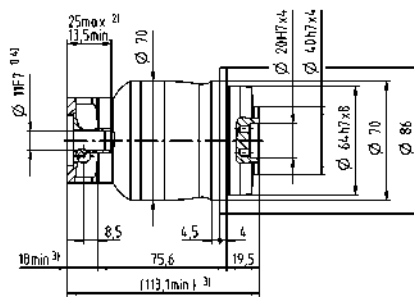
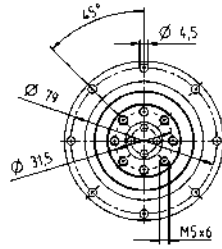
<sup>c)</sup> Refers to center of the output shaft or flange

<sup>d)</sup> Please reduce input speed at higher ambient temperatures

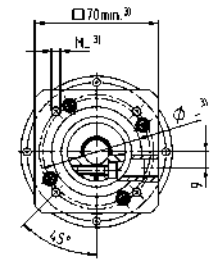
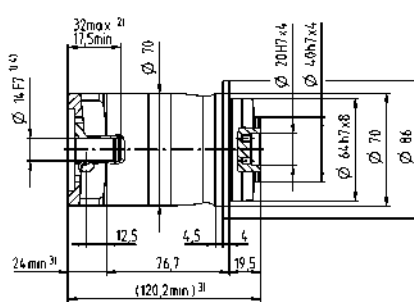
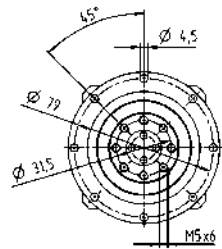
# 2-stage

Motor shaft diameter [mm]

up to 11<sup>4)</sup> (B)<sup>5)</sup>  
clamping hub diameter



up to 14<sup>4)</sup> (C)  
clamping hub diameter



Non-tolerated dimensions are nominal dimensions

<sup>1)</sup> Check motor shaft fit

<sup>2)</sup> Min. / Max. permissible motor shaft length

Longer motor shafts are possible, please contact alpha

<sup>3)</sup> The dimensions depend on the motor

<sup>4)</sup> Smaller motor shaft diameter is compensated

by a bushing with a minimum wall thickness of 1 mm

<sup>5)</sup> Standard clamping hub diameter

# NPT 025 MF 1-stage

			1-stage							
Ratio	i		3	4	5	7	8	10		
Max. torque <sup>a) b)</sup>	$T_{2a}$	Nm	128	152	160	160	144	144		
		in.lb	1133	1345	1416	1416	1275	1275		
Max. acceleration torque (max. 1000 cycles per hour)	$T_{2B}$	Nm	80	95	100	100	90	90		
		in.lb	708	841	885	885	797	797		
Emergency stop torque <sup>a) b)</sup> (permitted 1000 times during the service life of the gearbox)	$T_{2Not}$	Nm	190	190	190	190	190	190		
		in.lb	1682	1682	1682	1682	1682	1682		
Permitted average input speed <sup>d)</sup> (at $T_{2N}$ and 20 °C ambient temperature)	$n_{1N}$	rpm	3100	3300	3400	3600	3700	3900		
Max. input speed	$n_{1Max}$	rpm	7000	7000	7000	7000	7000	7000		
Mean no load running torque <sup>b)</sup> (at $n_1=3000$ rpm and 20 °C gearbox temperature)	$T_{012}$	Nm	0.43	0.35	0.3	0.24	0.23	0.2		
		in.lb	3.8	3.1	2.7	2.1	2	1.8		
Max. backlash	$j_t$	arcmin	≤ 8							
Torsional rigidity <sup>b)</sup>	$C_{t21}$	Nm/arcmin	9.5	9.5	9.5	9.5	8.5	8.5		
		in.lb/arcmin	84	84	84	84	75	75		
Max. axial force <sup>c)</sup>	$F_{2AMax}$	N	1900							
		lb <sub>f</sub>	428							
Max. tilting moment	$M_{2KMMax}$	Nm	79							
		in.lb	699							
Efficiency at full load	$\eta$	%	97							
Service life	$L_n$	h	> 20000							
Weight (incl. standard adapter plate)	$m$	kg	4.4							
		lb <sub>m</sub>	9.7							
Operating noise (at reference ratio and reference speed – ratio-specific values available in cymex®)	$L_{PA}$	dB(A)	≤ 61							
Max. permitted housing temperature		°C	+90							
		°F	+194							
Ambient temperature		°C	-15 to +40							
		°F	+5 to +104							
Lubrication			Lubricated for life							
Direction of rotation			In- and output same direction							
Protection class			IP 64							
Elastomer coupling (recommended product type – validate sizing with cymex®)			ELT-00150BAX-050.00							
Bore diameter of coupling on the application side		mm	X = 024.000 - 036.000							
Mass moment of inertia (relates to the drive) Clamping hub diameter [mm]	C	14	$J_1$	kgcm <sup>2</sup>	0.75	0.57	0.44	0.33	0.3	0.27
				10 <sup>-3</sup> in.lb.s <sup>2</sup>	0.66	0.5	0.39	0.29	0.27	0.24
	D	16	$J_1$	kgcm <sup>2</sup>	0.9	0.72	0.59	0.46	0.45	0.42
				10 <sup>-3</sup> in.lb.s <sup>2</sup>	0.8	0.64	0.52	0.41	0.4	0.37
	E	19	$J_1$	kgcm <sup>2</sup>	0.99	0.8	0.67	0.56	0.53	0.5
				10 <sup>-3</sup> in.lb.s <sup>2</sup>	0.88	0.71	0.59	0.5	0.47	0.44
	G	24	$J_1$	kgcm <sup>2</sup>	2	1.8	1.7	1.6	1.6	1.5
				10 <sup>-3</sup> in.lb.s <sup>2</sup>	1.8	1.6	1.5	1.4	1.4	1.3
	H	28	$J_1$	kgcm <sup>2</sup>	1.7	1.5	1.4	1.3	1.3	1.2
				10 <sup>-3</sup> in.lb.s <sup>2</sup>	1.5	1.3	1.2	1.2	1.2	1.1

Please use our sizing software cymex® for a detailed sizing – [www.wittenstein-cymex.com](http://www.wittenstein-cymex.com)

<sup>a)</sup> Valid for torque transmission only

<sup>b)</sup> Valid for standard clamping hub diameter

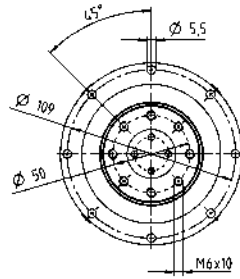
<sup>c)</sup> Refers to center of the output shaft or flange

<sup>d)</sup> Please reduce input speed at higher ambient temperatures

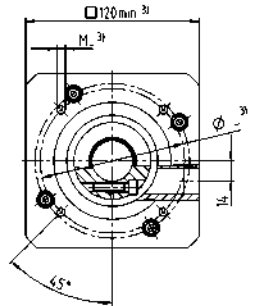
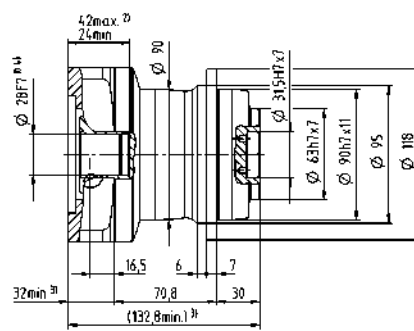
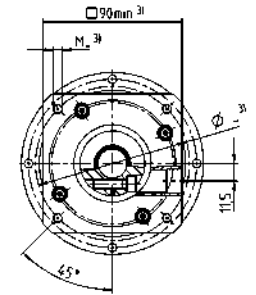
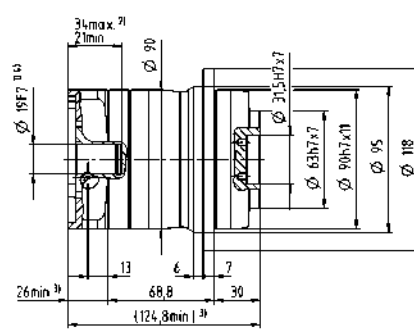
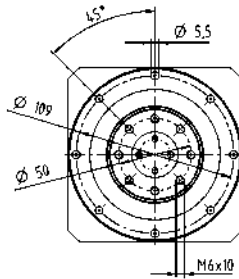
# 1-stage

Motor shaft diameter [mm]

up to 19<sup>4)</sup> (E)<sup>5)</sup>  
clamping hub diameter



up to 28<sup>4)</sup> (H)  
clamping hub diameter



Non-tolerated dimensions are nominal dimensions

<sup>1)</sup> Check motor shaft fit

<sup>2)</sup> Min. / Max. permissible motor shaft length

Longer motor shafts are possible, please contact alpha

<sup>3)</sup> The dimensions depend on the motor

<sup>4)</sup> Smaller motor shaft diameter is compensated

by a bushing with a minimum wall thickness of 1 mm

<sup>5)</sup> Standard clamping hub diameter

# NPT 025 MF 2-stage

			2-stage															
Ratio	i		9	12	15	16	20	25	28	30	32	35	40	50	64	70	100	
Max. torque <sup>a) b)</sup>	$T_{2a}$	Nm	128	128	128	152	152	160	152	128	152	160	152	160	144	160	144	
		in.lb	1133	1133	1133	1345	1345	1416	1345	1133	1345	1416	1345	1416	1275	1416	1275	
Max. acceleration torque (max. 1000 cycles per hour)	$T_{2B}$	Nm	80	80	80	95	95	100	95	80	95	100	95	100	90	100	90	
		in.lb	708	708	708	841	841	885	841	708	841	885	841	885	797	885	797	
Emergency stop torque <sup>a) b)</sup> (permitted 1000 times during the service life of the gearbox)	$T_{2Not}$	Nm	190	190	190	190	190	190	190	190	190	190	190	190	190	190	190	
		in.lb	1682	1682	1682	1682	1682	1682	1682	1682	1682	1682	1682	1682	1682	1682	1682	
Permitted average input speed <sup>d)</sup> (at $T_{2N}$ and 20 °C ambient temperature)	$n_{1N}$	rpm	3300	3500	3700	3500	3700	3700	4000	4300	4100	4000	4300	4300	4100	4300	4300	
Max. input speed	$n_{1Max}$	rpm	8000	8000	8000	8000	8000	8000	8000	8000	8000	8000	8000	8000	8000	8000	8000	
Mean no load running torque <sup>b)</sup> (at $n_1=3000$ rpm and 20 °C gearbox temperature)	$T_{012}$	Nm	0.16	0.13	0.12	0.11	0.1	0.09	0.09	0.08	0.08	0.08	0.08	0.07	0.07	0.06	0.06	
		in.lb	1.4	1.2	1.1	0.97	0.89	0.8	0.8	0.71	0.71	0.71	0.71	0.62	0.62	0.53	0.53	
Max. backlash	$j_t$	arcmin	≤ 10															
Torsional rigidity <sup>b)</sup>	$C_{t21}$	Nm/arcmin	10	10	10	10	10	9.5	10	10	10	9.5	10	9.5	8.5	9.5	8.5	
		in.lb/arcmin	89	89	89	89	89	84	89	89	89	84	89	84	75	84	75	
Max. axial force <sup>c)</sup>	$F_{2AMax}$	N	1900															
		lb <sub>f</sub>	428															
Max. tilting moment	$M_{2KMMax}$	Nm	79															
		in.lb	699															
Efficiency at full load	$\eta$	%	95															
Service life	$L_n$	h	> 20000															
Weight (incl. standard adapter plate)	m	kg	4.7															
		lb <sub>m</sub>	10															
Operating noise (at reference ratio and reference speed – ratio-specific values available in cymex®)	$L_{PA}$	dB(A)	≤ 59															
Max. permitted housing temperature		°C	+90															
		°F	+194															
Ambient temperature		°C	-15 to +40															
		°F	+5 to +104															
Lubrication			Lubricated for life															
Direction of rotation			In- and output same direction															
Protection class			IP 64															
Elastomer coupling (recommended product type – validate sizing with cymex®)			ELT-00150BAX-050.00															
Bore diameter of coupling on the application side		mm	X = 024.000 - 036.000															
Mass moment of inertia (relates to the drive) Clamping hub diameter [mm]	A	9	$J_1$	kgcm <sup>2</sup>	0.28	0.23	0.22	0.22	0.21	0.2	0.2	0.19	0.19	0.19	0.19	0.19	0.19	0.19
				10 <sup>-3</sup> in.lb.s <sup>2</sup>	0.25	0.2	0.19	0.19	0.19	0.18	0.18	0.17	0.17	0.17	0.17	0.17	0.17	0.17
	B	11	$J_1$	kgcm <sup>2</sup>	0.3	0.25	0.23	0.24	0.23	0.22	0.21	0.21	0.21	0.21	0.21	0.21	0.21	0.21
				10 <sup>-3</sup> in.lb.s <sup>2</sup>	0.27	0.22	0.2	0.21	0.2	0.19	0.19	0.19	0.19	0.19	0.19	0.19	0.19	0.19
	C	14	$J_1$	kgcm <sup>2</sup>	0.37	0.32	0.31	0.31	0.3	0.29	0.29	0.29	0.29	0.28	0.28	0.28	0.28	0.28
				10 <sup>-3</sup> in.lb.s <sup>2</sup>	0.33	0.28	0.27	0.27	0.27	0.26	0.26	0.26	0.26	0.26	0.25	0.25	0.25	0.25
	D	16	$J_1$	kgcm <sup>2</sup>	0.5	0.45	0.44	0.44	0.43	0.42	0.42	0.41	0.41	0.41	0.41	0.41	0.41	0.41
				10 <sup>-3</sup> in.lb.s <sup>2</sup>	0.44	0.4	0.39	0.39	0.38	0.37	0.37	0.36	0.36	0.36	0.36	0.36	0.36	0.36
	E	19	$J_1$	kgcm <sup>2</sup>	0.58	0.53	0.52	0.52	0.51	0.51	0.5	0.5	0.5	0.5	0.49	0.49	0.49	0.49
				10 <sup>-3</sup> in.lb.s <sup>2</sup>	0.51	0.47	0.46	0.46	0.45	0.45	0.44	0.44	0.44	0.44	0.43	0.43	0.43	0.43

Please use our sizing software cymex® for a detailed sizing – [www.wittenstein-cymex.com](http://www.wittenstein-cymex.com)

<sup>a)</sup> Valid for torque transmission only

<sup>b)</sup> Valid for standard clamping hub diameter

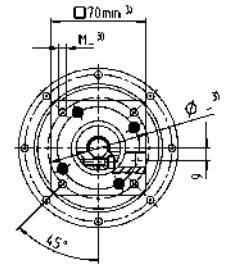
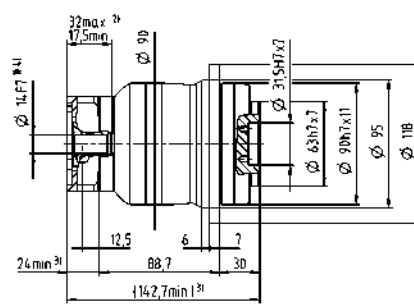
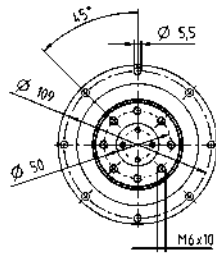
<sup>c)</sup> Refers to center of the output shaft or flange

<sup>d)</sup> Please reduce input speed at higher ambient temperatures

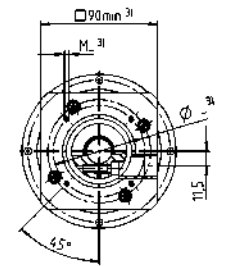
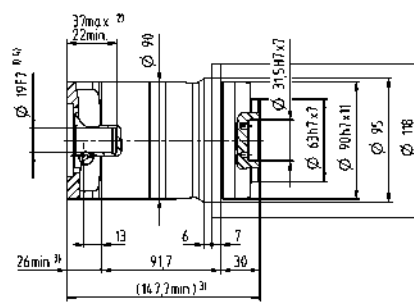
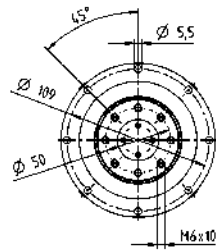
# 2-stage

Motor shaft diameter [mm]

up to 14<sup>4)</sup> (C)<sup>5)</sup>  
clamping hub  
diameter



up to 19<sup>4)</sup> (E)  
clamping hub  
diameter



Non-tolerated dimensions are nominal dimensions

<sup>1)</sup> Check motor shaft fit

<sup>2)</sup> Min. / Max. permissible motor shaft length

Longer motor shafts are possible, please contact alpha

<sup>3)</sup> The dimensions depend on the motor

<sup>4)</sup> Smaller motor shaft diameter is compensated by a bushing with a minimum wall thickness of 1 mm

<sup>5)</sup> Standard clamping hub diameter

# NPT 035 MF 1-stage

			1-stage							
Ratio	i		3	4	5	7	8	10		
Max. torque <sup>a) b)</sup>	$T_{2a}$	Nm	320	365	365	365	352	352		
		in.lb	2832	3231	3231	3231	3115	3115		
Max. acceleration torque (max. 1000 cycles per hour)	$T_{2B}$	Nm	200	255	250	250	220	220		
		in.lb	1770	2257	2213	2213	1947	1947		
Emergency stop torque <sup>a) b)</sup> (permitted 1000 times during the service life of the gearbox)	$T_{2Not}$	Nm	480	480	480	480	480	480		
		in.lb	4248	4248	4248	4248	4248	4248		
Permitted average input speed <sup>d)</sup> (at $T_{2N}$ and 20 °C ambient temperature)	$n_{1N}$	rpm	2300	2500	2600	2800	2900	3000		
Max. input speed	$n_{1Max}$	rpm	6000	6000	6000	6000	6000	6000		
Mean no load running torque <sup>b)</sup> (at $n_1=3000$ rpm and 20 °C gearbox temperature)	$T_{012}$	Nm	1.7	1.3	1.1	0.79	0.71	0.6		
		in.lb	15	12	9.7	7	6.3	5.3		
Max. backlash	$j_t$	arcmin	≤ 8							
Torsional rigidity <sup>b)</sup>	$C_{t21}$	Nm/arcmin	25	25	25	25	22	22		
		in.lb/arcmin	221	221	221	221	195	195		
Max. axial force <sup>c)</sup>	$F_{2AMax}$	N	3500							
		lb <sub>f</sub>	788							
Max. tilting moment	$M_{2KMMax}$	Nm	134							
		in.lb	1186							
Efficiency at full load	$\eta$	%	97							
Service life	$L_n$	h	> 20000							
Weight (incl. standard adapter plate)	$m$	kg	9.4							
		lb <sub>m</sub>	21							
Operating noise (at reference ratio and reference speed – ratio-specific values available in cymex®)	$L_{PA}$	dB(A)	≤ 65							
Max. permitted housing temperature		°C	+90							
		°F	+194							
Ambient temperature		°C	-15 to +40							
		°F	+5 to +104							
Lubrication			Lubricated for life							
Direction of rotation			In- and output same direction							
Protection class			IP 64							
Elastomer coupling (recommended product type – validate sizing with cymex®)			ELT-00300BAX-063.00							
Bore diameter of coupling on the application side		mm	X = 035.000 - 045.000							
Mass moment of inertia (relates to the drive) Clamping hub diameter [mm]	E	19	$J_1$	kgcm <sup>2</sup>	3.2	2	1.6	1.2	1	0.93
				10 <sup>-3</sup> in.lb.s <sup>2</sup>	2.8	1.8	1.4	1.1	0.89	0.82
	G	24	$J_1$	kgcm <sup>2</sup>	4	2.8	2.4	1.9	1.8	1.7
				10 <sup>-3</sup> in.lb.s <sup>2</sup>	3.5	2.5	2.1	1.7	1.6	1.5
	H	28	$J_1$	kgcm <sup>2</sup>	3.7	2.5	2.1	1.6	1.5	1.4
				10 <sup>-3</sup> in.lb.s <sup>2</sup>	3.3	2.2	1.9	1.4	1.3	1.2
	I	32	$J_1$	kgcm <sup>2</sup>	7.7	6.6	6.1	5.7	5.6	5.5
				10 <sup>-3</sup> in.lb.s <sup>2</sup>	6.8	5.8	5.4	5	5	4.9
	K	38	$J_1$	kgcm <sup>2</sup>	8.9	7.8	7.3	6.9	6.7	6.6
				10 <sup>-3</sup> in.lb.s <sup>2</sup>	7.9	6.9	6.5	6.1	5.9	5.8

Please use our sizing software cymex® for a detailed sizing – [www.wittenstein-cymex.com](http://www.wittenstein-cymex.com)

<sup>a)</sup> Valid for torque transmission only

<sup>b)</sup> Valid for standard clamping hub diameter

<sup>c)</sup> Refers to center of the output shaft or flange

<sup>d)</sup> Please reduce input speed at higher ambient temperatures

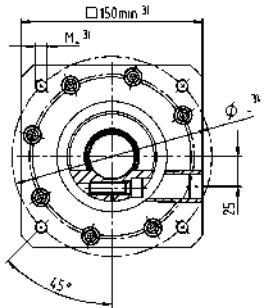
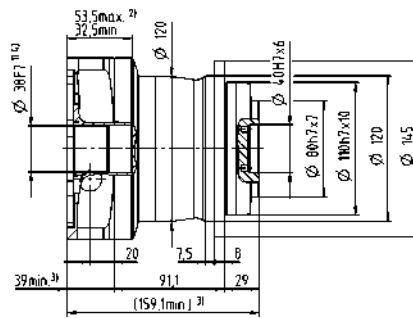
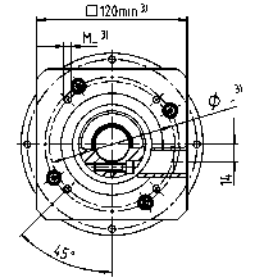
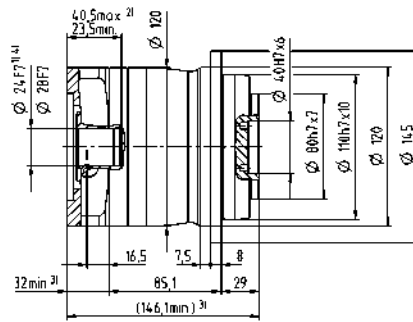
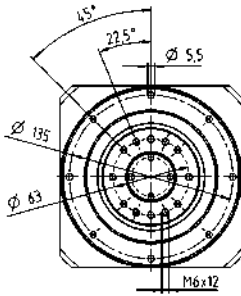
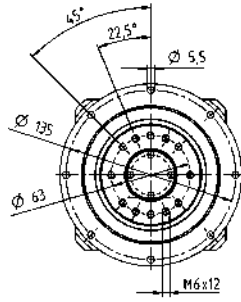


# 1-stage

up to 24/28<sup>4)</sup>  
(G<sup>5)</sup>/H)  
clamping hub  
diameter

Motor shaft diameter [mm]

up to 38<sup>4)</sup> (K)  
clamping hub  
diameter



Non-tolerated dimensions are nominal dimensions

<sup>1)</sup> Check motor shaft fit

<sup>2)</sup> Min. / Max. permissible motor shaft length

Longer motor shafts are possible, please contact alpha

<sup>3)</sup> The dimensions depend on the motor

<sup>4)</sup> Smaller motor shaft diameter is compensated by a bushing with a minimum wall thickness of 1 mm

<sup>5)</sup> Standard clamping hub diameter

# NPT 035 MF 2-stage

			2-stage																
Ratio	i		9	12	15	16	20	25	28	30	32	35	40	50	64	70	100		
Max. torque <sup>a) b)</sup>	$T_{2a}$	Nm	320	320	320	365	365	365	365	320	365	365	365	365	352	365	352		
		in.lb	2832	2832	2832	3231	3231	3231	3231	2832	3231	3231	3231	3231	3115	3231	3115		
Max. acceleration torque (max. 1000 cycles per hour)	$T_{2B}$	Nm	200	200	200	255	255	250	255	200	255	250	255	250	220	250	220		
		in.lb	1770	1770	1770	2257	2257	2213	2257	1770	2257	2213	2257	2213	1947	2213	1947		
Emergency stop torque <sup>a) b)</sup> (permitted 1000 times during the service life of the gearbox)	$T_{2Not}$	Nm	480	480	480	480	480	480	480	480	480	480	480	480	480	480	480		
		in.lb	4248	4248	4248	4248	4248	4248	4248	4248	4248	4248	4248	4248	4248	4248	4248		
Permitted average input speed <sup>d)</sup> (at $T_{2N}$ and 20 °C ambient temperature)	$n_{1N}$	rpm	3100	3300	3400	3300	3400	3400	3600	3900	3700	3600	3900	3900	3700	3900	3900		
Max. input speed	$n_{1Max}$	rpm	7000	7000	7000	7000	7000	7000	7000	7000	7000	7000	7000	7000	7000	7000	7000		
Mean no load running torque <sup>b)</sup> (at $n_1=3000$ rpm and 20 °C gearbox temperature)	$T_{012}$	Nm	0.6	0.48	0.4	0.38	0.33	0.28	0.26	0.25	0.24	0.23	0.21	0.19	0.17	0.16	0.15		
		in.lb	5.3	4.2	3.5	3.4	2.9	2.5	2.3	2.2	2.1	2	1.9	1.7	1.5	1.4	1.3		
Max. backlash	$j_t$	arcmin	≤ 10																
Torsional rigidity <sup>b)</sup>	$C_{t21}$	Nm/arcmin	25	25	25	25	25	25	25	25	25	25	25	25	22	25	22		
		in.lb/arcmin	221	221	221	221	221	221	221	221	221	221	221	221	195	221	195		
Max. axial force <sup>c)</sup>	$F_{2AMax}$	N	3500																
		lb <sub>f</sub>	788																
Max. tilting moment	$M_{2KMMax}$	Nm	134																
		in.lb	1186																
Efficiency at full load	$\eta$	%	95																
Service life	$L_n$	h	> 20000																
Weight (incl. standard adapter plate)	$m$	kg	9.8																
		lb <sub>m</sub>	22																
Operating noise (at reference ratio and reference speed – ratio-specific values available in cymex®)	$L_{PA}$	dB(A)	≤ 61																
Max. permitted housing temperature		°C	+90																
		°F	+194																
Ambient temperature		°C	-15 to +40																
		°F	+5 to +104																
Lubrication			Lubricated for life																
Direction of rotation			In- and output same direction																
Protection class			IP 64																
Elastomer coupling (recommended product type – validate sizing with cymex®)			ELT-00300BAX-063.00																
Bore diameter of coupling on the application side		mm	X = 035.000 - 045.000																
Mass moment of inertia (relates to the drive) Clamping hub diameter [mm]	C	14	$J_1$	kgcm <sup>2</sup>	0.68	0.63	0.62	0.45	0.44	0.37	0.38	0.52	0.38	0.32	0.37	0.31	0.26	0.27	0.24
				10 <sup>-3</sup> in.lb.s <sup>2</sup>	0.6	0.56	0.55	0.4	0.39	0.33	0.34	0.46	0.34	0.28	0.33	0.27	0.23	0.24	0.21
	D	16	$J_1$	kgcm <sup>2</sup>	0.82	0.78	0.77	0.6	0.58	0.51	0.51	0.67	0.53	0.45	0.52	0.46	0.4	0.41	0.39
				10 <sup>-3</sup> in.lb.s <sup>2</sup>	0.73	0.69	0.68	0.53	0.51	0.45	0.45	0.59	0.47	0.4	0.46	0.41	0.35	0.36	0.35
	E	19	$J_1$	kgcm <sup>2</sup>	0.91	0.87	0.86	0.69	0.67	0.6	0.61	0.76	0.61	0.55	0.6	0.55	0.49	0.5	0.48
				10 <sup>-3</sup> in.lb.s <sup>2</sup>	0.81	0.77	0.76	0.61	0.59	0.53	0.54	0.67	0.54	0.49	0.53	0.49	0.43	0.44	0.42
	G	24	$J_1$	kgcm <sup>2</sup>	1.9	1.9	1.9	1.7	1.7	1.6	1.6	1.8	1.7	1.6	1.6	1.5	1.5	1.5	
				10 <sup>-3</sup> in.lb.s <sup>2</sup>	1.7	1.7	1.7	1.5	1.5	1.4	1.4	1.6	1.5	1.4	1.4	1.4	1.3	1.3	1.3
	H	28	$J_1$	kgcm <sup>2</sup>	1.7	1.6	1.6	1.4	1.4	1.3	1.4	1.5	1.4	1.3	1.3	1.3	1.2	1.2	1.2
				10 <sup>-3</sup> in.lb.s <sup>2</sup>	1.5	1.4	1.4	1.2	1.2	1.2	1.2	1.3	1.2	1.2	1.2	1.2	1.1	1.1	1.1

Please use our sizing software cymex® for a detailed sizing – [www.wittenstein-cymex.com](http://www.wittenstein-cymex.com)

<sup>a)</sup> Valid for torque transmission only

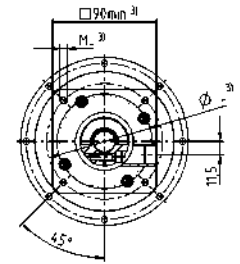
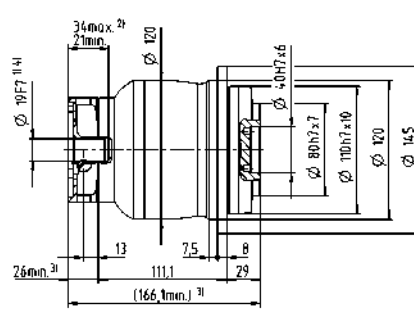
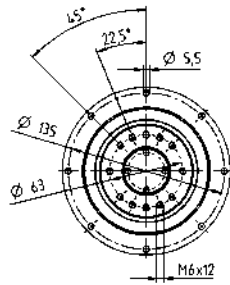
<sup>b)</sup> Valid for standard clamping hub diameter

<sup>c)</sup> Refers to center of the output shaft or flange

<sup>d)</sup> Please reduce input speed at higher ambient temperatures

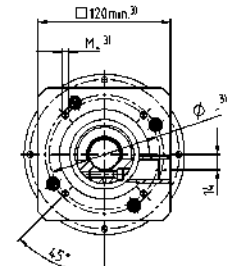
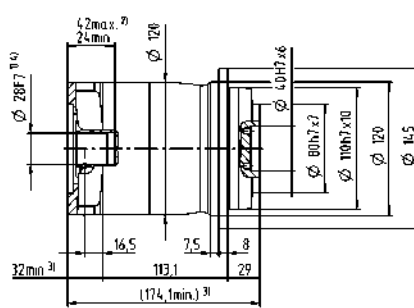
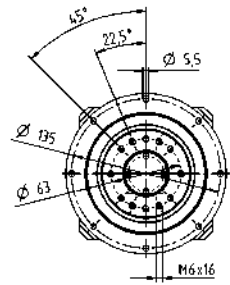
# 2-stage

up to 19<sup>4)</sup> (E)<sup>5)</sup>  
clamping hub  
diameter



Motor shaft diameter [mm]

up to 28<sup>4)</sup> (H)  
clamping hub  
diameter



Non-tolerated dimensions are nominal dimensions

<sup>1)</sup> Check motor shaft fit

<sup>2)</sup> Min. / Max. permissible motor shaft length

Longer motor shafts are possible, please contact alpha

<sup>3)</sup> The dimensions depend on the motor

<sup>4)</sup> Smaller motor shaft diameter is compensated by a bushing with a minimum wall thickness of 1 mm

<sup>5)</sup> Standard clamping hub diameter

# NPT 045 MF 1-/2-stage

			1-stage			2-stage						
Ratio	i		5	8	10	25	32	50	64	100		
Max. torque <sup>a) b)</sup>	$T_{2a}$	Nm	700	640	640	700	640	700	640	640		
		in.lb	6196	5665	5665	6196	5665	6196	5665	5665		
Max. acceleration torque (max. 1000 cycles per hour)	$T_{2B}$	Nm	500	400	400	500	400	500	400	400		
		in.lb	4425	3540	3540	4425	3540	4425	3540	3540		
Emergency stop torque <sup>a) b)</sup> (permitted 1000 times during the service life of the gearbox)	$T_{2Not}$	Nm	1000	1000	1000	1000	1000	1000	1000	1000		
		in.lb	8851	8851	8851	8851	8851	8851	8851	8851		
Permitted average input speed <sup>d)</sup> (at $T_{2N}$ and 20 °C ambient temperature)	$n_{1N}$	rpm	2000	2200	2300	2600	2500	3000	2900	3000		
Max. input speed	$n_{1Max}$	rpm	4000	4000	4000	6000	6000	6000	6000	6000		
Mean no load running torque <sup>b)</sup> (at $n_1=3000$ rpm and 20 °C gearbox temperature)	$T_{012}$	Nm	1.5	1.1	0.9	0.39	0.34	0.27	0.24	0.21		
		in.lb	13	9.7	8	3.5	3	2.4	2.1	1.9		
Max. backlash	$j_t$	arcmin	≤ 8			≤ 10						
Torsional rigidity <sup>b)</sup>	$C_{t21}$	Nm/arcmin	55	44	44	55	44	55	44	44		
		in.lb/arcmin	487	389	389	487	389	487	389	389		
Max. axial force <sup>c)</sup>	$F_{2AMax}$	N	3800			3800						
		lb <sub>f</sub>	855			855						
Max. tilting moment	$M_{2KMax}$	Nm	256			256						
		in.lb	2266			2266						
Efficiency at full load	$\eta$	%	97			95						
Service life	$L_n$	h	> 20000			> 20000						
Weight (incl. standard adapter plate)	m	kg	19			20						
		lb <sub>m</sub>	42			44						
Operating noise (at reference ratio and reference speed – ratio-specific values available in cymex®)	$L_{PA}$	dB(A)	≤ 68			≤ 65						
Max. permitted housing temperature		°C	+90			+90						
		°F	+194			+194						
Ambient temperature		°C	-15 to +40			-15 to +40						
		°F	+5 to +104			+5 to +104						
Lubrication			Lubricated for life									
Direction of rotation			In- and output same direction									
Protection class			IP 64									
Elastomer coupling (recommended product type – validate sizing with cymex®)			ELT-00450BAX-080.00									
Bore diameter of coupling on the application side		mm	X = 042.000 - 060.000									
Mass moment of inertia (relates to the drive) Clamping hub diameter [mm]	E	19	$J_1$	kgcm <sup>2</sup>	-	-	-	1.3	1.1	1.1	0.88	0.83
				10 <sup>-3</sup> in.lb.s <sup>2</sup>	-	-	-	1.2	0.97	0.97	0.78	0.73
	G	24	$J_1$	kgcm <sup>2</sup>	-	-	-	2	1.9	1.8	1.7	1.6
				10 <sup>-3</sup> in.lb.s <sup>2</sup>	-	-	-	1.8	1.7	1.6	1.5	1.4
	H	28	$J_1$	kgcm <sup>2</sup>	-	-	-	1.8	1.6	1.6	1.4	1.3
				10 <sup>-3</sup> in.lb.s <sup>2</sup>	-	-	-	1.6	1.4	1.4	1.2	1.2
	I	32	$J_1$	kgcm <sup>2</sup>	-	-	-	5.8	5.7	5.6	5.4	5.4
				10 <sup>-3</sup> in.lb.s <sup>2</sup>	-	-	-	5.1	5	5	4.8	4.8
	K	38	$J_1$	kgcm <sup>2</sup>	9.8	7.8	7.4	7	6.9	6.8	6.6	6.5
				10 <sup>-3</sup> in.lb.s <sup>2</sup>	8.7	6.9	6.5	6.2	6.1	6	5.8	5.8

Please use our sizing software cymex® for a detailed sizing – [www.wittenstein-cymex.com](http://www.wittenstein-cymex.com)

<sup>a)</sup> Valid for torque transmission only

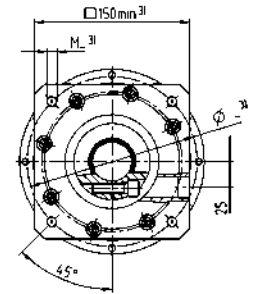
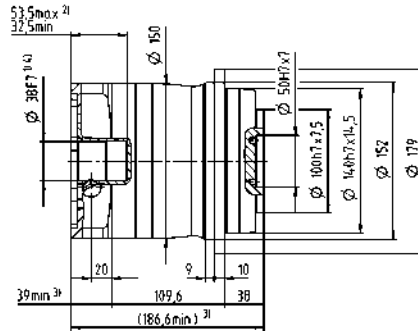
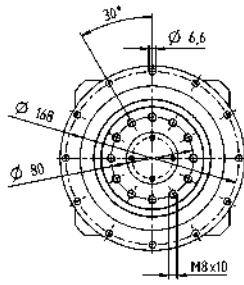
<sup>b)</sup> Valid for standard clamping hub diameter

<sup>c)</sup> Refers to center of the output shaft or flange

<sup>d)</sup> Please reduce input speed at higher ambient temperatures

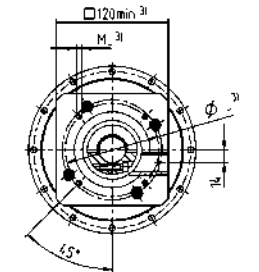
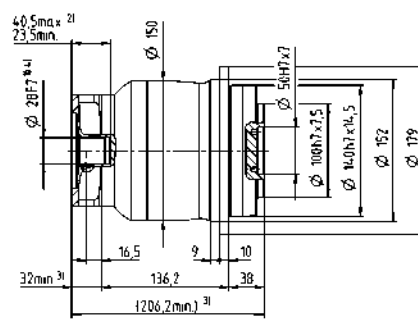
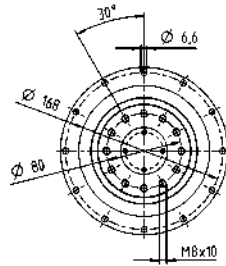
# 1-stage

up to 38<sup>4)</sup> (K)<sup>5)</sup>  
clamping hub  
diameter

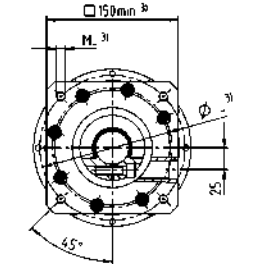
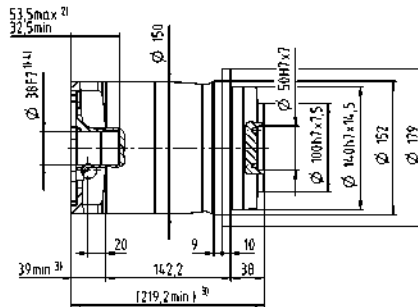
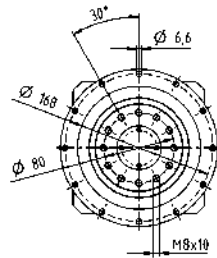


# 2-stage

up to 28<sup>4)</sup> (H)<sup>5)</sup>  
clamping hub  
diameter



up to 38<sup>4)</sup> (K)  
clamping hub  
diameter



Motor shaft diameter [mm]

Non-tolerated dimensions are nominal dimensions

<sup>1)</sup> Check motor shaft fit

<sup>2)</sup> Min. / Max. permissible motor shaft length

Longer motor shafts are possible, please contact alpha

<sup>3)</sup> The dimensions depend on the motor

<sup>4)</sup> Smaller motor shaft diameter is compensated

by a bushing with a minimum wall thickness of 1 mm

<sup>5)</sup> Standard clamping hub diameter

# NPT 015 MA 1-/2-stage

			1-stage		2-stage								
Ratio	i		3	4	12	15	16	20	28	30	40		
Max. torque <sup>a) b)</sup>	$T_{2a}$	Nm	62	62	62	62	62	62	62	62	62		
		in.lb	549	549	549	549	549	549	549	549	549		
Max. acceleration torque (max. 1000 cycles per hour)	$T_{2B}$	Nm	55	42	39	42	42	42	42	42	39	42	
		in.lb	487	372	345	372	372	372	372	372	345	372	
Emergency stop torque <sup>a) b)</sup> (permitted 1000 times during the service life of the gearbox)	$T_{2Not}$	Nm	75	75	75	75	75	75	75	75	75		
		in.lb	664	664	664	664	664	664	664	664	664		
Permitted average input speed <sup>d)</sup> (at $T_{2N}$ and 20 °C ambient temperature)	$n_{1N}$	rpm	3300	3500	3800	4000	3800	4000	4300	4600	4600		
Max. input speed	$n_{1Max}$	rpm	8000	8000	10000	10000	10000	10000	10000	10000	10000		
Mean no load running torque <sup>b)</sup> (at $n_1=3000$ rpm and 20 °C gearbox temperature)	$T_{012}$	Nm	0.25	0.2	0.08	0.07	0.06	0.06	0.05	0.05	0.04		
		in.lb	2.2	1.8	0.71	0.62	0.53	0.53	0.44	0.44	0.35		
Max. backlash	$j_t$	arcmin	≤ 8		≤ 10								
Torsional rigidity <sup>b)</sup>	$C_{t21}$	Nm/arcmin	4	4	4	4	4	4	4	4	4		
		in.lb/arcmin	35	35	35	35	35	35	35	35	35		
Max. axial force <sup>c)</sup>	$F_{2AMax}$	N	1380		1380								
		lb <sub>f</sub>	311		311								
Max. tilting moment	$M_{2KMMax}$	Nm	42		42								
		in.lb	372		372								
Efficiency at full load	$\eta$	%	97		95								
Service life	$L_n$	h	> 20000		> 20000								
Weight (incl. standard adapter plate)	m	kg	2		2.1								
		lb <sub>m</sub>	4.4		4.6								
Operating noise (at reference ratio and reference speed – ratio-specific values available in cymex®)	$L_{PA}$	dB(A)	≤ 59		≤ 58								
Max. permitted housing temperature		°C	+90		+90								
		°F	+194		+194								
Ambient temperature		°C	-15 to +40		-15 to +40								
		°F	+5 to +104		+5 to +104								
Lubrication			Lubricated for life										
Direction of rotation			In- and output same direction										
Protection class			IP 64										
Elastomer coupling (recommended product type – validate sizing with cymex®)			ELT-00060BAX-031.50										
Bore diameter of coupling on the application side		mm	X = 018.000 - 032.000										
Mass moment of inertia (relates to the drive) Clamping hub diameter [mm]	Z	8	$J_1$	kgcm <sup>2</sup>	-	-	0.04	0.04	0.03	0.03	0.03	0.03	
				10 <sup>-3</sup> in.lb.s <sup>2</sup>	-	-	0.04	0.04	0.03	0.03	0.03	0.03	0.03
	A	9	$J_1$	kgcm <sup>2</sup>	0.31	0.23	0.04	0.04	0.03	0.03	0.03	0.03	0.03
				10 <sup>-3</sup> in.lb.s <sup>2</sup>	0.27	0.2	0.04	0.04	0.03	0.03	0.03	0.03	0.03
	B	11	$J_1$	kgcm <sup>2</sup>	0.33	0.24	0.06	0.06	0.05	0.05	0.05	0.05	0.05
				10 <sup>-3</sup> in.lb.s <sup>2</sup>	0.29	0.21	0.05	0.05	0.04	0.04	0.04	0.04	0.04
	C	14	$J_1$	kgcm <sup>2</sup>	0.41	0.32	0.15	0.14	0.14	0.14	0.13	0.14	0.13
				10 <sup>-3</sup> in.lb.s <sup>2</sup>	0.36	0.28	0.13	0.12	0.12	0.12	0.12	0.12	0.12
	D	16	$J_1$	kgcm <sup>2</sup>	0.53	0.45	-	-	-	-	-	-	-
				10 <sup>-3</sup> in.lb.s <sup>2</sup>	0.47	0.4	-	-	-	-	-	-	-
	E	19	$J_1$	kgcm <sup>2</sup>	0.62	0.53	-	-	-	-	-	-	-
				10 <sup>-3</sup> in.lb.s <sup>2</sup>	0.55	0.47	-	-	-	-	-	-	-

Please use our sizing software cymex® for a detailed sizing – [www.wittenstein-cymex.com](http://www.wittenstein-cymex.com)

<sup>a)</sup> Valid for torque transmission only

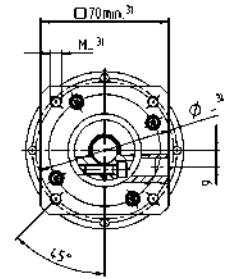
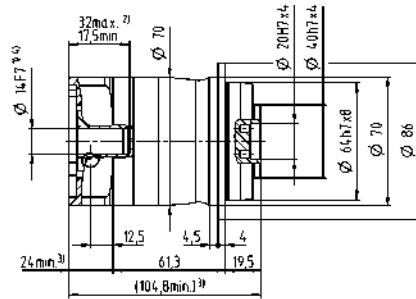
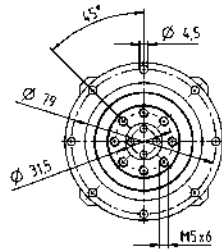
<sup>b)</sup> Valid for standard clamping hub diameter

<sup>c)</sup> Refers to center of the output shaft or flange

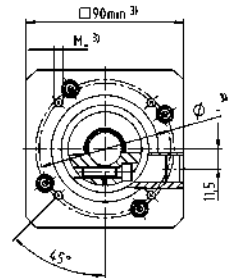
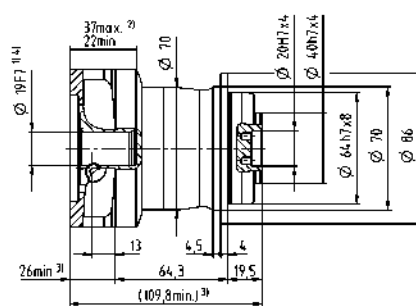
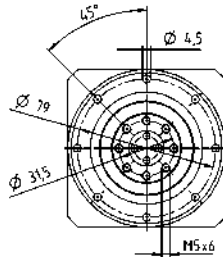
<sup>d)</sup> Please reduce input speed at higher ambient temperatures

# 1-stage

up to 14<sup>4)</sup> (C)<sup>5)</sup>  
clamping hub  
diameter

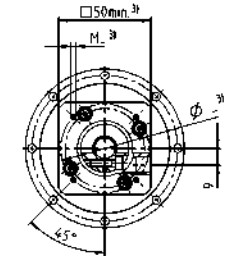
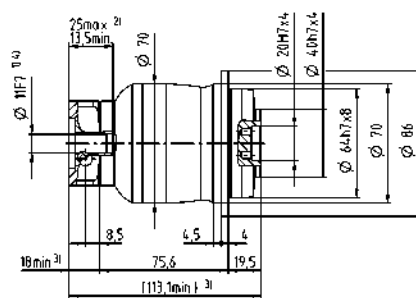
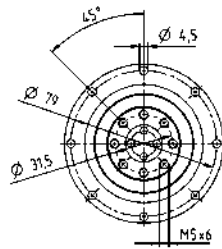


up to 19<sup>4)</sup> (E)  
clamping hub  
diameter



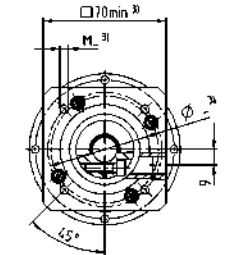
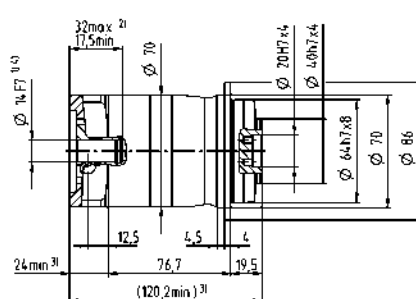
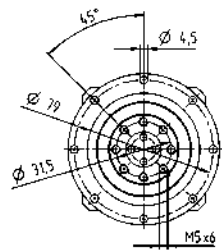
# 2-stage

up to 11<sup>4)</sup> (B)<sup>5)</sup>  
clamping hub  
diameter



Motor shaft diameter [mm]

up to 14<sup>4)</sup> (C)  
clamping hub  
diameter



Non-tolerated dimensions are nominal dimensions

<sup>1)</sup> Check motor shaft fit

<sup>2)</sup> Min. / Max. permissible motor shaft length

Longer motor shafts are possible, please contact alpha

<sup>3)</sup> The dimensions depend on the motor

<sup>4)</sup> Smaller motor shaft diameter is compensated

by a bushing with a minimum wall thickness of 1 mm

<sup>5)</sup> Standard clamping hub diameter

# NPT 025 MA 1-/2-stage

			1-stage		2-stage									
Ratio	i		3	4	9	12	15	16	20	28	30	40		
Max. torque <sup>a) b)</sup>	$T_{2a}$	Nm	185	185	185	185	185	185	185	185	168	185		
		in.lb	1637	1637	1637	1637	1637	1637	1637	1637	1637	1487	1637	
Max. acceleration torque (max. 1000 cycles per hour)	$T_{2B}$	Nm	125	115	125	125	120	115	115	115	105	115		
		in.lb	1106	1018	1106	1106	1062	1018	1018	1018	929	1018		
Emergency stop torque <sup>a) b)</sup> (permitted 1000 times during the service life of the gearbox)	$T_{2Not}$	Nm	190	190	190	190	190	190	190	190	190	190		
		in.lb	1682	1682	1682	1682	1682	1682	1682	1682	1682	1682		
Permitted average input speed <sup>d)</sup> (at $T_{2N}$ and 20 °C ambient temperature)	$n_{1N}$	rpm	3100	3300	3300	3500	3700	3500	3700	4000	4300	4300		
Max. input speed	$n_{1Max}$	rpm	7000	7000	8000	8000	8000	8000	8000	8000	8000	8000		
Mean no load running torque <sup>b)</sup> (at $n_1=3000$ rpm and 20 °C gearbox temperature)	$T_{012}$	Nm	0.43	0.35	0.16	0.13	0.12	0.11	0.1	0.09	0.08	0.08		
		in.lb	3.8	3.1	1.4	1.2	1.1	0.97	0.89	0.8	0.71	0.71		
Max. backlash	$j_t$	arcmin	≤ 8		≤ 10									
Torsional rigidity <sup>b)</sup>	$C_{t21}$	Nm/arcmin	12	12	12	12	12	12	12	12	12	12		
		in.lb/arcmin	106	106	106	106	106	106	106	106	106	106		
Max. axial force <sup>c)</sup>	$F_{2AMax}$	N	1900				1900							
		lb <sub>f</sub>	428				428							
Max. tilting moment	$M_{2KMax}$	Nm	79				79							
		in.lb	699				699							
Efficiency at full load	$\eta$	%	97				95							
Service life	$L_n$	h	> 20000				> 20000							
Weight (incl. standard adapter plate)	m	kg	4.4				4.7							
		lb <sub>m</sub>	9.7				10							
Operating noise (at reference ratio and reference speed – ratio-specific values available in cymex®)	$L_{PA}$	dB(A)	≤ 61				≤ 59							
Max. permitted housing temperature		°C	+90				+90							
		°F	+194				+194							
Ambient temperature		°C	-15 to +40				-15 to +40							
		°F	+5 to +104				+5 to +104							
Lubrication			Lubricated for life											
Direction of rotation			In- and output same direction											
Protection class			IP 64											
Elastomer coupling (recommended product type – validate sizing with cymex®)			ELT-00150BAX-050.00											
Bore diameter of coupling on the application side		mm	X = 024.000 - 036.000											
Mass moment of inertia (relates to the drive) Clamping hub diameter [mm]	A	9	$J_1$	kgcm <sup>2</sup>	–	–	0.28	0.23	0.22	0.22	0.21	0.20	0.19	0.19
				10 <sup>-3</sup> in.lb.s <sup>2</sup>	–	–	0.25	0.2	0.19	0.19	0.19	0.18	0.17	0.17
	B	11	$J_1$	kgcm <sup>2</sup>	–	–	0.3	0.25	0.23	0.24	0.23	0.21	0.21	0.21
				10 <sup>-3</sup> in.lb.s <sup>2</sup>	–	–	0.27	0.22	0.2	0.21	0.2	0.19	0.19	0.19
	C	14	$J_1$	kgcm <sup>2</sup>	0.75	0.57	0.37	0.32	0.31	0.31	0.3	0.29	0.29	0.28
				10 <sup>-3</sup> in.lb.s <sup>2</sup>	0.66	0.5	0.33	0.28	0.27	0.27	0.27	0.26	0.26	0.25
	D	16	$J_1$	kgcm <sup>2</sup>	0.9	0.72	0.5	0.45	0.44	0.44	0.43	0.42	0.41	0.41
				10 <sup>-3</sup> in.lb.s <sup>2</sup>	0.8	0.64	0.44	0.4	0.39	0.39	0.38	0.37	0.36	0.36
	E	19	$J_1$	kgcm <sup>2</sup>	0.99	0.8	0.58	0.53	0.52	0.52	0.51	0.5	0.5	0.49
				10 <sup>-3</sup> in.lb.s <sup>2</sup>	0.88	0.71	0.51	0.47	0.46	0.46	0.45	0.44	0.44	0.43
	G	24	$J_1$	kgcm <sup>2</sup>	2	1.8	–	–	–	–	–	–	–	–
				10 <sup>-3</sup> in.lb.s <sup>2</sup>	1.8	1.6	–	–	–	–	–	–	–	–
	H	28	$J_1$	kgcm <sup>2</sup>	1.7	1.5	–	–	–	–	–	–	–	–
				10 <sup>-3</sup> in.lb.s <sup>2</sup>	1.5	1.3	–	–	–	–	–	–	–	–

Please use our sizing software cymex® for a detailed sizing – [www.wittenstein-cymex.com](http://www.wittenstein-cymex.com)

<sup>a)</sup> Valid for torque transmission only

<sup>b)</sup> Valid for standard clamping hub diameter

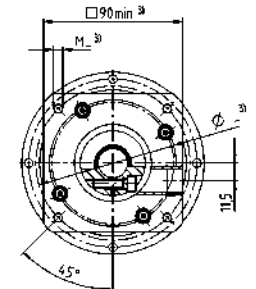
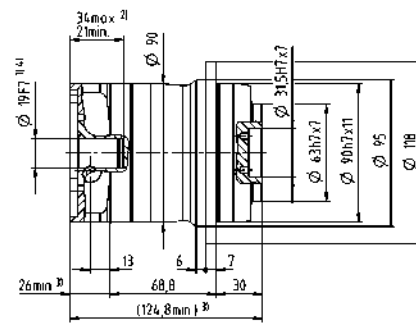
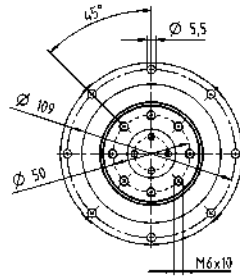
<sup>c)</sup> Refers to center of the output shaft or flange

<sup>d)</sup> Please reduce input speed at higher ambient temperatures

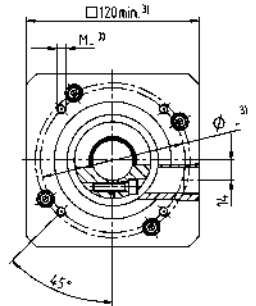
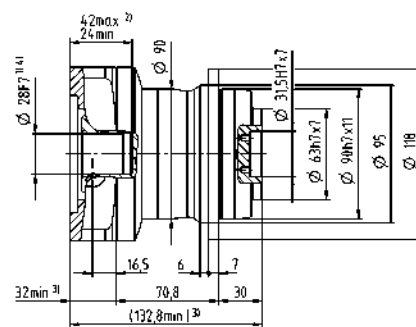
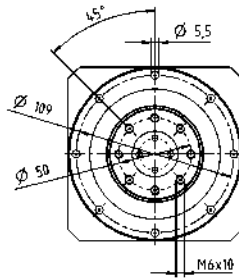


# 1-stage

up to 19<sup>4)</sup> (E)<sup>5)</sup>  
clamping hub diameter

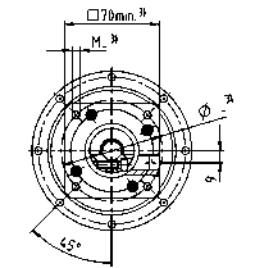
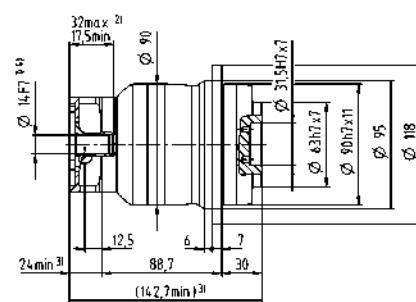
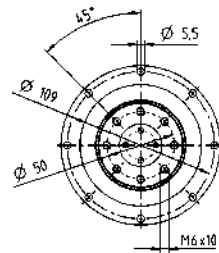


up to 28<sup>4)</sup> (H)  
clamping hub diameter

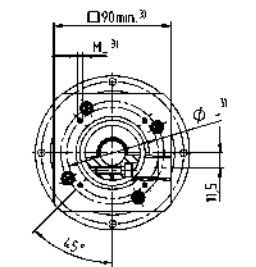
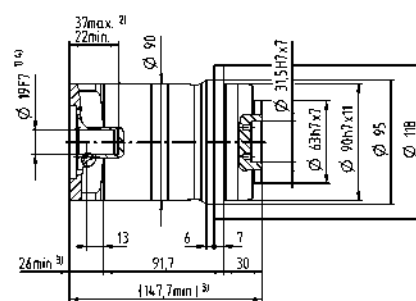
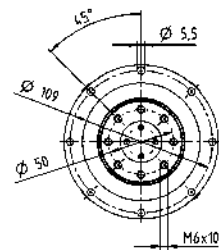


# 2-stage

up to 14<sup>4)</sup> (C)<sup>5)</sup>  
clamping hub diameter



up to 19<sup>4)</sup> (E)  
clamping hub diameter



Motor shaft diameter [mm]

Non-tolerated dimensions are nominal dimensions

<sup>1)</sup> Check motor shaft fit

<sup>2)</sup> Min. / Max. permissible motor shaft length

Longer motor shafts are possible, please contact alpha

<sup>3)</sup> The dimensions depend on the motor

<sup>4)</sup> Smaller motor shaft diameter is compensated

by a bushing with a minimum wall thickness of 1 mm

<sup>5)</sup> Standard clamping hub diameter

# NPT 035 MA 1-/2-stage

			1-stage		2-stage									
Ratio	i		3	4	9	12	15	16	20	28	30	40		
Max. torque <sup>a) b)</sup>	$T_{2a}$	Nm	380	380	380	380	380	380	380	380	370	380		
		in.lb	3363	3363	3363	3363	3363	3363	3363	3363	3363	3275	3363	
Max. acceleration torque (max. 1000 cycles per hour)	$T_{2B}$	Nm	305	305	305	305	300	305	305	305	270	305		
		in.lb	2699	2699	2699	2699	2655	2699	2699	2699	2390	2699		
Emergency stop torque <sup>a) b)</sup> (permitted 1000 times during the service life of the gearbox)	$T_{2Not}$	Nm	480	480	480	480	480	480	480	480	480	480		
		in.lb	4248	4248	4248	4248	4248	4248	4248	4248	4248	4248		
Permitted average input speed <sup>d)</sup> (at $T_{2N}$ and 20 °C ambient temperature)	$n_{1N}$	rpm	2300	2500	3100	3300	3400	3300	3400	3600	3900	3900		
Max. input speed	$n_{1Max}$	rpm	6000	6000	7000	7000	7000	7000	7000	7000	7000	7000		
Mean no load running torque <sup>b)</sup> (at $n_1=3000$ rpm and 20 °C gearbox temperature)	$T_{012}$	Nm	1.7	1.3	0.6	0.48	0.4	0.38	0.33	0.26	0.25	0.21		
		in.lb	15	12	5.3	4.2	3.5	3.4	2.9	2.3	2.2	1.9		
Max. backlash	$j_t$	arcmin	≤ 8		≤ 10									
Torsional rigidity <sup>b)</sup>	$C_{t21}$	Nm/arcmin	30	30	30	30	30	30	30	30	30	30		
		in.lb/arcmin	266	266	266	266	266	266	266	266	266	266		
Max. axial force <sup>c)</sup>	$F_{2AMax}$	N	3500				3500							
		lb <sub>f</sub>	788				788							
Max. tilting moment	$M_{2KMax}$	Nm	134				134							
		in.lb	1186				1186							
Efficiency at full load	$\eta$	%	97				95							
Service life	$L_n$	h	> 20000				> 20000							
Weight (incl. standard adapter plate)	$m$	kg	9.4				9.8							
		lb <sub>m</sub>	21				22							
Operating noise (at reference ratio and reference speed – ratio-specific values available in cymex®)	$L_{PA}$	dB(A)	≤ 65				≤ 61							
Max. permitted housing temperature		°C	+90				+90							
		°F	+194				+194							
Ambient temperature		°C	-15 to +40				-15 to +40							
		°F	+5 to +104				+5 to +104							
Lubrication			Lubricated for life											
Direction of rotation			In- and output same direction											
Protection class			IP 64											
Elastomer coupling (recommended product type – validate sizing with cymex®)			ELT-00300BAX-063.00											
Bore diameter of coupling on the application side		mm	X = 035.000 - 045.000											
Mass moment of inertia (relates to the drive) Clamping hub diameter [mm]	C	14	$J_1$	kgcm <sup>2</sup>	–	–	0.68	0.63	0.62	0.45	0.44	0.38	0.52	0.37
				10 <sup>-3</sup> in.lb.s <sup>2</sup>	–	–	0.6	0.56	0.55	0.4	0.39	0.34	0.46	0.33
	D	16	$J_1$	kgcm <sup>2</sup>	–	–	0.82	0.78	0.77	0.6	0.58	0.51	0.67	0.52
				10 <sup>-3</sup> in.lb.s <sup>2</sup>	–	–	0.73	0.69	0.68	0.53	0.51	0.45	0.59	0.46
	E	19	$J_1$	kgcm <sup>2</sup>	3.2	2	0.91	0.87	0.86	0.69	0.67	0.61	0.76	0.6
				10 <sup>-3</sup> in.lb.s <sup>2</sup>	2.8	1.8	0.81	0.77	0.76	0.61	0.59	0.54	0.67	0.53
	G	24	$J_1$	kgcm <sup>2</sup>	4	2.8	1.9	1.9	1.9	1.7	1.7	1.6	1.8	1.6
				10 <sup>-3</sup> in.lb.s <sup>2</sup>	3.5	2.5	1.7	1.7	1.7	1.5	1.5	1.4	1.6	1.4
	H	28	$J_1$	kgcm <sup>2</sup>	3.7	2.5	1.7	1.6	1.6	1.4	1.4	1.4	1.5	1.3
				10 <sup>-3</sup> in.lb.s <sup>2</sup>	3.3	2.2	1.5	1.4	1.4	1.2	1.2	1.2	1.3	1.2
	I	32	$J_1$	kgcm <sup>2</sup>	7.7	6.6	–	–	–	–	–	–	–	–
				10 <sup>-3</sup> in.lb.s <sup>2</sup>	6.8	5.8	–	–	–	–	–	–	–	–
	K	38	$J_1$	kgcm <sup>2</sup>	8.9	7.8	–	–	–	–	–	–	–	–
				10 <sup>-3</sup> in.lb.s <sup>2</sup>	7.9	6.9	–	–	–	–	–	–	–	–

Please use our sizing software cymex® for a detailed sizing – [www.wittenstein-cymex.com](http://www.wittenstein-cymex.com)

<sup>a)</sup> Valid for torque transmission only

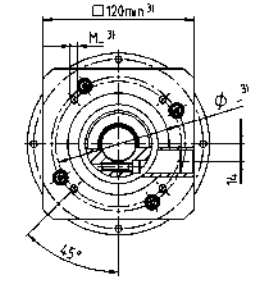
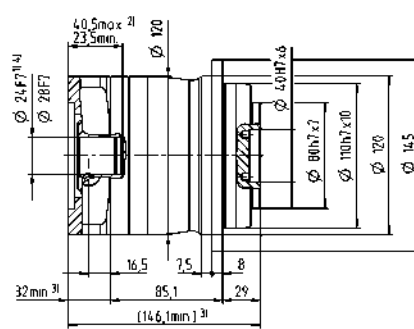
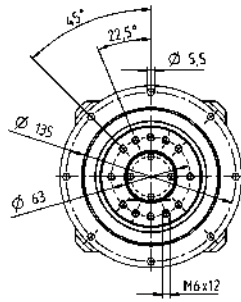
<sup>b)</sup> Valid for standard clamping hub diameter

<sup>c)</sup> Refers to center of the output shaft or flange

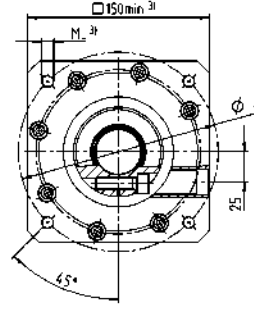
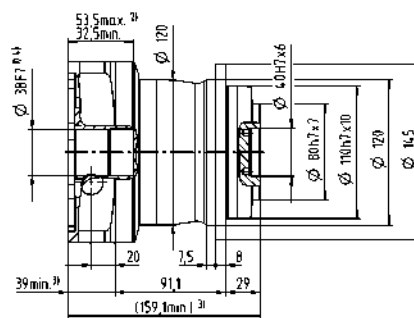
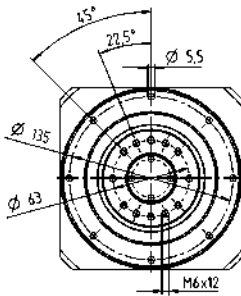
<sup>d)</sup> Please reduce input speed at higher ambient temperatures

# 1-stage

up to 24/28<sup>4)</sup>  
(G<sup>5)</sup>/H)  
clamping hub  
diameter

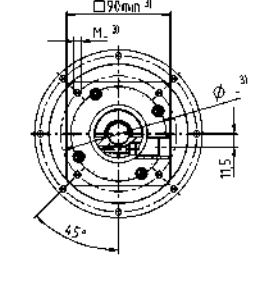
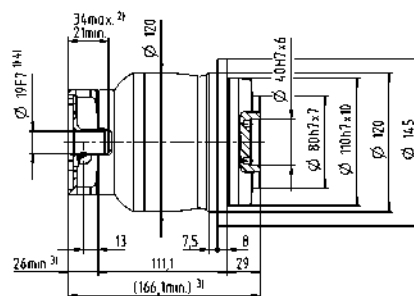
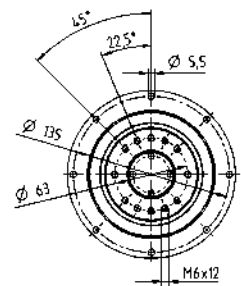


up to 38<sup>4)</sup> (K)  
clamping hub  
diameter

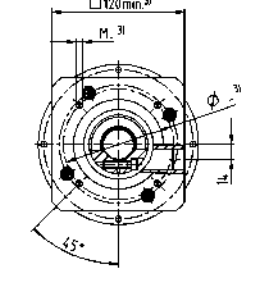
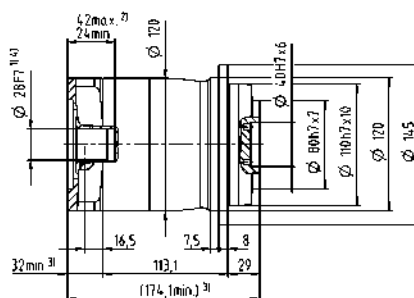
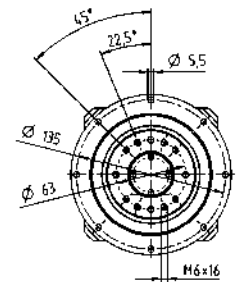


# 2-stage

up to 19<sup>4)</sup> (E)<sup>5)</sup>  
clamping hub  
diameter



up to 28<sup>4)</sup> (H)  
clamping hub  
diameter



Motor shaft diameter [mm]

Non-tolerated dimensions are nominal dimensions

<sup>1)</sup> Check motor shaft fit

<sup>2)</sup> Min. / Max. permissible motor shaft length

Longer motor shafts are possible, please contact alpha

<sup>3)</sup> The dimensions depend on the motor

<sup>4)</sup> Smaller motor shaft diameter is compensated

by a bushing with a minimum wall thickness of 1 mm

<sup>5)</sup> Standard clamping hub diameter

# NPR 015 MF 1-stage

			1-stage							
Ratio	i		3	4	5	7	8	10		
Max. torque <sup>a) b) e)</sup>	$T_{2a}$	Nm	51	56	64	64	56	56		
		in.lb	451	496	566	566	496	496		
Max. acceleration torque <sup>e)</sup> (max. 1000 cycles per hour)	$T_{2B}$	Nm	32	35	40	40	35	35		
		in.lb	283	310	354	354	310	310		
Emergency stop torque <sup>a) b) e)</sup> (permitted 1000 times during the service life of the gearbox)	$T_{2Not}$	Nm	80	80	80	80	80	80		
		in.lb	708	708	708	708	708	708		
Permitted average input speed <sup>d)</sup> (at $T_{2a}$ and 20 °C ambient temperature)	$n_{1N}$	rpm	2600	2800	2900	3400	3400	3600		
Max. input speed	$n_{1Max}$	rpm	8000	8000	8000	8000	8000	8000		
Mean no load running torque <sup>b)</sup> (at $n_1=3000$ rpm and 20 °C gearbox temperature)	$T_{012}$	Nm	0.98	0.78	0.66	0.52	0.48	0.42		
		in.lb	8.7	6.9	5.8	4.6	4.2	3.7		
Max. backlash	$j_l$	arcmin	≤ 8							
Torsional rigidity <sup>b)</sup>	$C_{i21}$	Nm/arcmin	3.3	3.3	3.3	3.3	2.8	2.8		
		in.lb/arcmin	29	29	29	29	25	25		
Max. axial force <sup>c)</sup>	$F_{2AMax}$	N	2400							
		lb <sub>f</sub>	540							
Max. lateral force <sup>c)</sup>	$F_{2QMMax}$	N	2800							
		lb <sub>f</sub>	630							
Max. tilting moment	$M_{2KMMax}$	Nm	152							
		in.lb	1345							
Efficiency at full load	$\eta$	%	97							
Service life	$L_n$	h	> 20000							
Weight (incl. standard adapter plate)	m	kg	1.9							
		lb <sub>m</sub>	4.2							
Operating noise (at reference ratio and reference speed – ratio-specific values available in cymex <sup>®</sup> )	$L_{PA}$	dB(A)	≤ 59							
Max. permitted housing temperature		°C	+90							
		°F	+194							
Ambient temperature		°C	-15 to +40							
		°F	+5 to +104							
Lubrication			Lubricated for life							
Direction of rotation			In- and output same direction							
Protection class			IP 65							
Elastomer coupling (recommended product type – validate sizing with cymex <sup>®</sup> )			ELC-0060BA016.000-X							
Bore diameter of coupling on the application side		mm	X = 012.000 - 032.000							
Mass moment of inertia (relates to the drive) Clamping hub diameter [mm]	A	9	$J_1$	kgcm <sup>2</sup>	0.25	0.19	0.17	0.14	0.14	0.13
				10 <sup>-3</sup> in.lb.s <sup>2</sup>	0.22	0.17	0.15	0.12	0.12	0.12
	B	11	$J_1$	kgcm <sup>2</sup>	0.26	0.21	0.18	0.16	0.16	0.15
				10 <sup>-3</sup> in.lb.s <sup>2</sup>	0.23	0.19	0.16	0.14	0.14	0.13
	C	14	$J_1$	kgcm <sup>2</sup>	0.34	0.28	0.26	0.24	0.23	0.23
				10 <sup>-3</sup> in.lb.s <sup>2</sup>	0.3	0.25	0.23	0.21	0.2	0.2
	D	16	$J_1$	kgcm <sup>2</sup>	0.47	0.41	0.39	0.36	0.36	0.35
				10 <sup>-3</sup> in.lb.s <sup>2</sup>	0.42	0.36	0.35	0.32	0.32	0.31
	E	19	$J_1$	kgcm <sup>2</sup>	0.55	0.49	0.47	0.45	0.44	0.44
				10 <sup>-3</sup> in.lb.s <sup>2</sup>	0.49	0.43	0.42	0.4	0.39	0.39

Please use our sizing software cymex<sup>®</sup> for a detailed sizing – [www.wittenstein-cymex.com](http://www.wittenstein-cymex.com)

<sup>a)</sup> Valid for torque transmission only

<sup>b)</sup> Valid for standard clamping hub diameter

<sup>c)</sup> Refers to center of the output shaft or flange

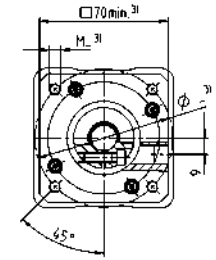
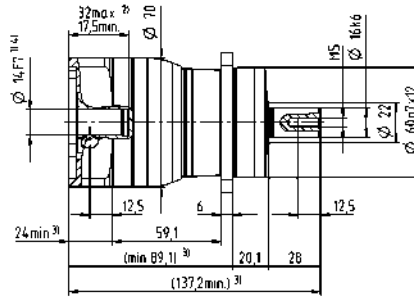
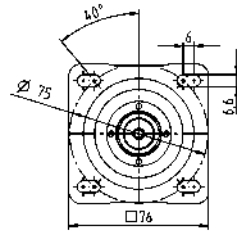
<sup>d)</sup> Please reduce input speed at higher ambient temperatures

<sup>e)</sup> Valid for: Smooth shaft

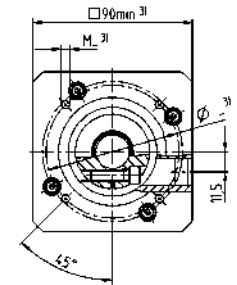
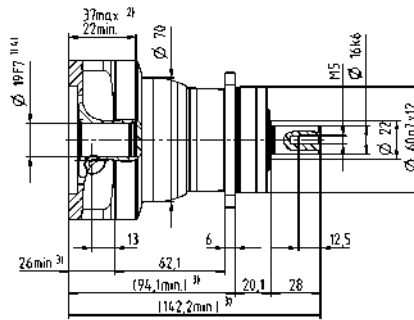
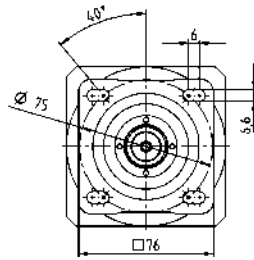
# 1-stage

Motor shaft diameter [mm]

up to 14<sup>4)</sup> (C)<sup>5)</sup>  
clamping hub diameter



up to 19<sup>4)</sup> (E)  
clamping hub diameter

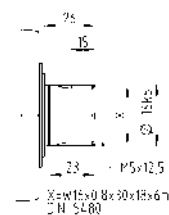
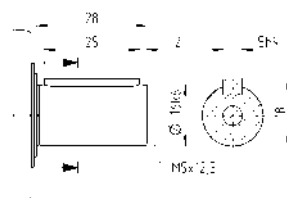


Planetary Gearboxes  
Value Line

## Other output variants

Shaft with key

Splined shaft (DIN 5480)



Non-tolerated dimensions are nominal dimensions

<sup>1)</sup> Check motor shaft fit

<sup>2)</sup> Min. / Max. permissible motor shaft length

Longer motor shafts are possible, please contact alpha

<sup>3)</sup> The dimensions depend on the motor

<sup>4)</sup> Smaller motor shaft diameter is compensated

by a bushing with a minimum wall thickness of 1 mm

<sup>5)</sup> Standard clamping hub diameter

# NPR 015 MF 2-stage

			2-stage														
Ratio	i		12	15	16	20	25	28	30	32	35	40	50	64	70	100	
Max. torque <sup>a) b) e)</sup>	$T_{2a}$	Nm	51	51	56	56	64	56	51	56	64	56	64	56	64	56	
		in.lb	451	451	496	496	566	496	451	496	566	496	566	496	566	496	566
Max. acceleration torque <sup>e)</sup> (max. 1000 cycles per hour)	$T_{2B}$	Nm	32	32	35	35	40	35	32	35	40	35	40	35	40	35	
		in.lb	283	283	310	310	354	310	283	310	354	310	354	310	354	310	
Emergency stop torque <sup>a) b) e)</sup> (permitted 1000 times during the service life of the gearbox)	$T_{2Not}$	Nm	80	80	80	80	80	80	80	80	80	80	80	80	80	80	
		in.lb	708	708	708	708	708	708	708	708	708	708	708	708	708	708	
Permitted average input speed <sup>d)</sup> (at $T_{2a}$ and 20 °C ambient temperature)	$n_{1N}$	rpm	3800	4000	3800	4000	4000	4300	4600	4400	4300	4600	4600	4400	4600	4600	
Max. input speed	$n_{1Max}$	rpm	10000	10000	10000	10000	10000	10000	10000	10000	10000	10000	10000	10000	10000	10000	
Mean no load running torque <sup>b)</sup> (at $n_1=3000$ rpm and 20 °C gearbox temperature)	$T_{012}$	Nm	0.34	0.29	0.29	0.25	0.23	0.21	0.21	0.2	0.2	0.19	0.17	0.17	0.16	0.15	
		in.lb	3	2.6	2.6	2.2	2	1.9	1.9	1.8	1.8	1.7	1.5	1.5	1.4	1.3	
Max. backlash	$j_l$	arcmin	≤ 10														
Torsional rigidity <sup>b)</sup>	$C_{i21}$	Nm/arcmin	3.3	3.3	3.3	3.3	3.3	3.3	3.3	3.3	3.3	3.3	3.3	2.8	3.3	2.8	
		in.lb/arcmin	29	29	29	29	29	29	29	29	29	29	29	29	25	29	25
Max. axial force <sup>c)</sup>	$F_{2AMax}$	N	2400														
		lb <sub>f</sub>	540														
Max. lateral force <sup>c)</sup>	$F_{2QMMax}$	N	2800														
		lb <sub>f</sub>	630														
Max. tilting moment	$M_{2KMMax}$	Nm	152														
		in.lb	1345														
Efficiency at full load	$\eta$	%	95														
Service life	$L_n$	h	> 20000														
Weight (incl. standard adapter plate)	m	kg	2														
		lb <sub>m</sub>	4.4														
Operating noise (at reference ratio and reference speed – ratio-specific values available in cymex <sup>®</sup> )	$L_{PA}$	dB(A)	≤ 58														
Max. permitted housing temperature		°C	+90														
		°F	+194														
Ambient temperature		°C	-15 to +40														
		°F	+5 to +104														
Lubrication			Lubricated for life														
Direction of rotation			In- and output same direction														
Protection class			IP 65														
Elastomer coupling (recommended product type – validate sizing with cymex <sup>®</sup> )			ELC-0060BA016.000-X														
Bore diameter of coupling on the application side		mm	X = 012.000 - 032.000														
Mass moment of inertia (relates to the drive) Clamping hub diameter [mm]	Z	8	$J_1$	kgcm <sup>2</sup>	0.04	0.04	0.03	0.03	0.03	0.03	0.03	0.03	0.03	0.02	0.02	0.02	0.02
				10 <sup>-3</sup> in.lb.s <sup>2</sup>	0.04	0.04	0.03	0.03	0.03	0.03	0.03	0.03	0.03	0.03	0.02	0.02	0.02
	A	9	$J_1$	kgcm <sup>2</sup>	0.04	0.04	0.03	0.03	0.03	0.03	0.03	0.03	0.03	0.02	0.02	0.02	0.02
				10 <sup>-3</sup> in.lb.s <sup>2</sup>	0.04	0.04	0.03	0.03	0.03	0.03	0.03	0.03	0.03	0.03	0.02	0.02	0.02
	B	11	$J_1$	kgcm <sup>2</sup>	0.06	0.06	0.05	0.05	0.05	0.05	0.05	0.04	0.05	0.04	0.04	0.04	
				10 <sup>-3</sup> in.lb.s <sup>2</sup>	0.05	0.05	0.04	0.04	0.04	0.04	0.04	0.04	0.04	0.04	0.04	0.04	0.04
	C	14	$J_1$	kgcm <sup>2</sup>	0.14	0.14	0.14	0.13	0.13	0.13	0.14	0.13	0.13	0.13	0.13	0.13	
				10 <sup>-3</sup> in.lb.s <sup>2</sup>	0.12	0.12	0.12	0.12	0.12	0.12	0.12	0.12	0.12	0.12	0.12	0.12	0.12

Please use our sizing software cymex<sup>®</sup> for a detailed sizing – [www.wittenstein-cymex.com](http://www.wittenstein-cymex.com)

<sup>a)</sup> Valid for torque transmission only

<sup>b)</sup> Valid for standard clamping hub diameter

<sup>c)</sup> Refers to center of the output shaft or flange

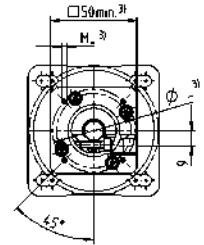
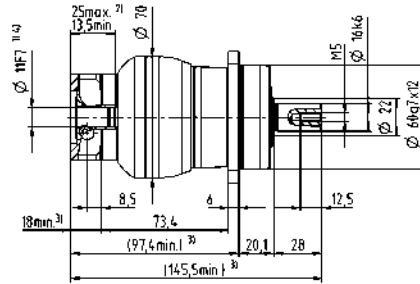
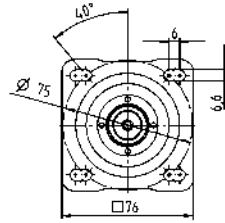
<sup>d)</sup> Please reduce input speed at higher ambient temperatures

<sup>e)</sup> Valid for: Smooth shaft

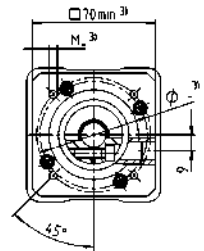
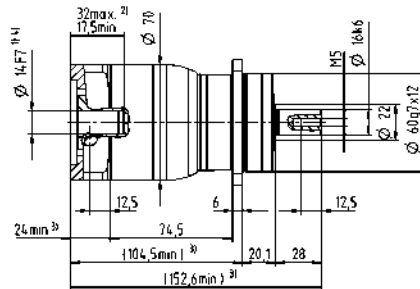
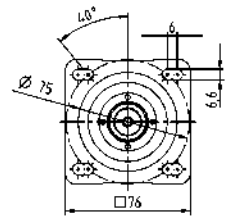
# 2-stage

Motor shaft diameter [mm]

up to 11<sup>4)</sup> (B)<sup>5)</sup>  
clamping hub diameter



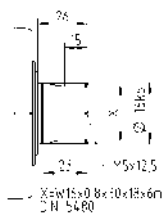
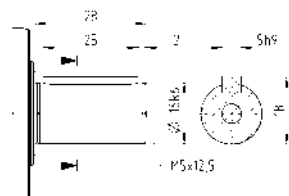
up to 14<sup>4)</sup> (C)  
clamping hub diameter



## Other output variants

Shaft with key

Splined shaft (DIN 5480)



Non-tolerated dimensions are nominal dimensions

<sup>1)</sup> Check motor shaft fit

<sup>2)</sup> Min. / Max. permissible motor shaft length

Longer motor shafts are possible, please contact alpha

<sup>3)</sup> The dimensions depend on the motor

<sup>4)</sup> Smaller motor shaft diameter is compensated

by a bushing with a minimum wall thickness of 1 mm

<sup>5)</sup> Standard clamping hub diameter

# NPR 025 MF 1-stage

			1-stage							
Ratio	i		3	4	5	7	8	10		
Max. torque <sup>a) b) e)</sup>	$T_{2a}$	Nm	128	152	160	160	144	144		
		in.lb	1133	1345	1416	1416	1275	1275		
Max. acceleration torque <sup>e)</sup> (max. 1000 cycles per hour)	$T_{2B}$	Nm	80	95	100	100	90	90		
		in.lb	708	841	885	885	797	797		
Emergency stop torque <sup>a) b) e)</sup> (permitted 1000 times during the service life of the gearbox)	$T_{2Not}$	Nm	190	190	190	190	190	190		
		in.lb	1682	1682	1682	1682	1682	1682		
Permitted average input speed <sup>d)</sup> (at $T_{2N}$ and 20 °C ambient temperature)	$n_{1N}$	rpm	2400	2600	2700	3000	3100	3300		
Max. input speed	$n_{1Max}$	rpm	7000	7000	7000	7000	7000	7000		
Mean no load running torque <sup>b)</sup> (at $n_1=3000$ rpm and 20 °C gearbox temperature)	$T_{012}$	Nm	1.9	1.6	1.4	1.1	1.1	0.96		
		in.lb	17	14	12	9.7	9.7	8.5		
Max. backlash	$j_l$	arcmin	≤ 8							
Torsional rigidity <sup>b)</sup>	$C_{i21}$	Nm/arcmin	9.5	9.5	9.5	9.5	8.5	8.5		
		in.lb/arcmin	84	84	84	84	75	75		
Max. axial force <sup>c)</sup>	$F_{2AMax}$	N	3350							
		lb <sub>f</sub>	754							
Max. lateral force <sup>c)</sup>	$F_{2QMMax}$	N	4200							
		lb <sub>f</sub>	945							
Max. tilting moment	$M_{2KMMax}$	Nm	236							
		in.lb	2089							
Efficiency at full load	$\eta$	%	97							
Service life	$L_n$	h	> 20000							
Weight (incl. standard adapter plate)	m	kg	3.7							
		lb <sub>m</sub>	8.2							
Operating noise (at reference ratio and reference speed – ratio-specific values available in cymex <sup>®</sup> )	$L_{PA}$	dB(A)	≤ 61							
Max. permitted housing temperature		°C	+90							
		°F	+194							
Ambient temperature		°C	-15 to +40							
		°F	+5 to +104							
Lubrication			Lubricated for life							
Direction of rotation			In- and output same direction							
Protection class			IP 65							
Elastomer coupling (recommended product type – validate sizing with cymex <sup>®</sup> )			ELC-0060BA022.000-X							
Bore diameter of coupling on the application side		mm	X = 012.000 - 032.000							
Mass moment of inertia (relates to the drive) Clamping hub diameter [mm]	C	14	$J_1$	kgcm <sup>2</sup>	0.58	0.47	0.38	0.3	0.28	0.26
				10 <sup>-3</sup> in.lb.s <sup>2</sup>	0.51	0.42	0.34	0.27	0.25	0.23
	D	16	$J_1$	kgcm <sup>2</sup>	0.73	0.62	0.53	0.43	0.42	0.4
				10 <sup>-3</sup> in.lb.s <sup>2</sup>	0.65	0.55	0.47	0.38	0.37	0.35
	E	19	$J_1$	kgcm <sup>2</sup>	0.81	0.71	0.61	0.53	0.51	0.49
				10 <sup>-3</sup> in.lb.s <sup>2</sup>	0.72	0.63	0.54	0.47	0.45	0.43
	G	24	$J_1$	kgcm <sup>2</sup>	1.8	1.7	1.6	1.6	1.5	1.5
				10 <sup>-3</sup> in.lb.s <sup>2</sup>	1.6	1.5	1.4	1.4	1.3	1.3
	H	28	$J_1$	kgcm <sup>2</sup>	1.6	1.4	1.4	1.3	1.3	1.2
				10 <sup>-3</sup> in.lb.s <sup>2</sup>	1.4	1.2	1.2	1.2	1.2	1.1

Please use our sizing software cymex<sup>®</sup> for a detailed sizing – [www.wittenstein-cymex.com](http://www.wittenstein-cymex.com)

<sup>a)</sup> Valid for torque transmission only

<sup>b)</sup> Valid for standard clamping hub diameter

<sup>c)</sup> Refers to center of the output shaft or flange

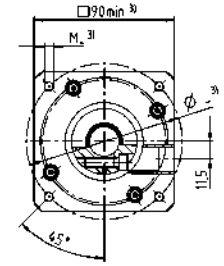
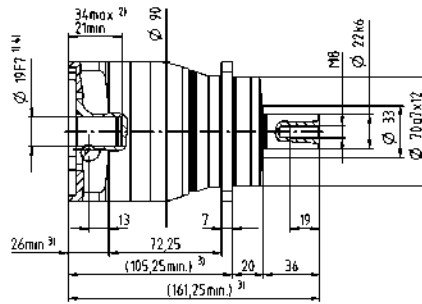
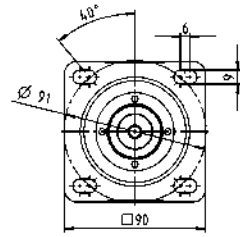
<sup>d)</sup> Please reduce input speed at higher ambient temperatures

<sup>e)</sup> Valid for: Smooth shaft



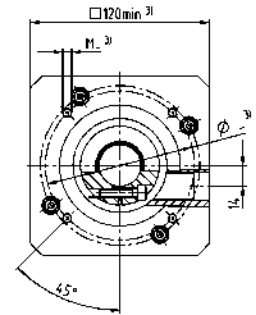
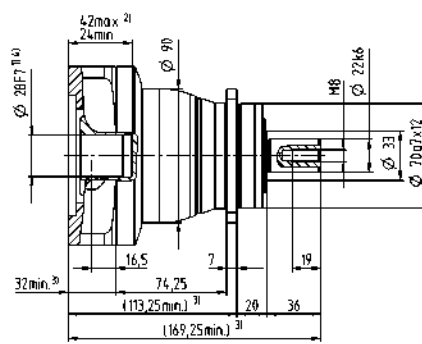
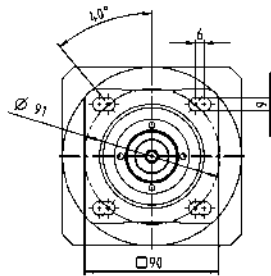
# 1-stage

up to 19<sup>4)</sup> (E)<sup>5)</sup>  
clamping hub  
diameter



Motor shaft diameter [mm]

up to 28<sup>4)</sup> (H)  
clamping hub  
diameter

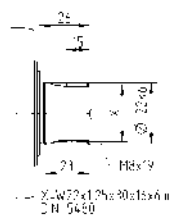
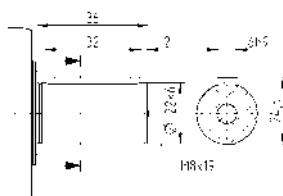


Planetary Gearboxes  
Value Line

## Other output variants

Shaft with key

Splined shaft (DIN 5480)



Non-tolerated dimensions are nominal dimensions

<sup>1)</sup> Check motor shaft fit

<sup>2)</sup> Min. / Max. permissible motor shaft length

Longer motor shafts are possible, please contact alpha

<sup>3)</sup> The dimensions depend on the motor

<sup>4)</sup> Smaller motor shaft diameter is compensated

by a bushing with a minimum wall thickness of 1 mm

<sup>5)</sup> Standard clamping hub diameter

# NPR 025 MF 2-stage

			2-stage														
Ratio	i		9	12	15	16	20	25	28	30	32	35	40	50	64	70	100
Max. torque <sup>a) b) e)</sup>	$T_{2a}$	Nm	128	128	128	152	152	160	152	128	144	160	152	160	144	160	144
		in.lb	1133	1133	1133	1345	1345	1416	1345	1133	1275	1416	1345	1416	1275	1416	1275
Max. acceleration torque <sup>e)</sup> (max. 1000 cycles per hour)	$T_{2B}$	Nm	80	80	80	95	95	100	95	80	90	100	95	100	90	100	90
		in.lb	708	708	708	841	841	885	841	708	797	885	841	885	797	885	797
Emergency stop torque <sup>a) b) e)</sup> (permitted 1000 times during the service life of the gearbox)	$T_{2Not}$	Nm	190	190	190	190	190	190	190	190	190	190	190	190	190	190	190
		in.lb	1682	1682	1682	1682	1682	1682	1682	1682	1682	1682	1682	1682	1682	1682	1682
Permitted average input speed <sup>d)</sup> (at $T_{2N}$ and 20 °C ambient temperature)	$n_{1N}$	rpm	2800	3500	3700	3500	3700	3700	4000	4300	4100	4000	4300	4300	4100	4300	4300
Max. input speed	$n_{1Max}$	rpm	8000	8000	8000	8000	8000	8000	8000	8000	8000	8000	8000	8000	8000	8000	8000
Mean no load running torque <sup>b)</sup> (at $n_1=3000$ rpm and 20 °C gearbox temperature)	$T_{012}$	Nm	0.67	0.55	0.47	0.46	0.4	0.36	0.34	0.33	0.32	0.31	0.29	0.27	0.25	0.25	0.23
		in.lb	5.9	4.9	4.2	4.1	3.5	3.2	3	2.9	2.8	2.7	2.6	2.4	2.2	2.2	2
Max. backlash	$j_t$	arcmin	≤ 10														
Torsional rigidity <sup>b)</sup>	$C_{t21}$	Nm/arcmin	10	10	10	10	10	9.5	10	10	10	9.5	10	9.5	8.5	9.5	8.5
		in.lb/arcmin	89	89	89	89	89	84	89	89	89	84	89	84	75	84	75
Max. axial force <sup>c)</sup>	$F_{2AMax}$	N	3350														
		lb <sub>f</sub>	754														
Max. lateral force <sup>c)</sup>	$F_{2QMMax}$	N	4200														
		lb <sub>f</sub>	945														
Max. tilting moment	$M_{2KMMax}$	Nm	236														
		in.lb	2089														
Efficiency at full load	$\eta$	%	95														
Service life	$L_n$	h	> 20000														
Weight (incl. standard adapter plate)	m	kg	4														
		lb <sub>m</sub>	8.8														
Operating noise (at reference ratio and reference speed – ratio-specific values available in cymex <sup>®</sup> )	$L_{PA}$	dB(A)	≤ 59														
Max. permitted housing temperature		°C	+90														
		°F	+194														
Ambient temperature		°C	-15 to +40														
		°F	+5 to +104														
Lubrication			Lubricated for life														
Direction of rotation			In- and output same direction														
Protection class			IP 65														
Elastomer coupling (recommended product type – validate sizing with cymex <sup>®</sup> )			ELC-0060BA022.000-X														
Bore diameter of coupling on the application side		mm	X = 012.000 - 032.000														
Mass moment of inertia (relates to the drive) Clamping hub diameter [mm]	A	9	$J_t$	kgcm <sup>2</sup>	0.26	0.22	0.21	0.21	0.2	0.2	0.19	0.19	0.19	0.19	0.19	0.19	0.19
				10 <sup>-3</sup> in.lb.s <sup>2</sup>	0.23	0.19	0.19	0.19	0.18	0.18	0.17	0.17	0.17	0.17	0.17	0.17	0.17
	B	11	$J_t$	kgcm <sup>2</sup>	0.28	0.24	0.23	0.23	0.22	0.22	0.21	0.21	0.21	0.21	0.21	0.21	0.21
				10 <sup>-3</sup> in.lb.s <sup>2</sup>	0.25	0.21	0.2	0.2	0.19	0.19	0.19	0.19	0.19	0.19	0.19	0.19	0.19
	C	14	$J_t$	kgcm <sup>2</sup>	0.35	0.31	0.3	0.3	0.3	0.29	0.29	0.28	0.28	0.28	0.28	0.28	0.28
				10 <sup>-3</sup> in.lb.s <sup>2</sup>	0.31	0.27	0.27	0.27	0.27	0.26	0.26	0.25	0.25	0.25	0.25	0.25	0.25
	D	16	$J_t$	kgcm <sup>2</sup>	0.48	0.44	0.43	0.43	0.42	0.42	0.41	0.41	0.41	0.41	0.41	0.41	0.41
				10 <sup>-3</sup> in.lb.s <sup>2</sup>	0.42	0.39	0.38	0.38	0.37	0.37	0.36	0.36	0.36	0.36	0.36	0.36	0.36
	E	19	$J_t$	kgcm <sup>2</sup>	0.56	0.52	0.51	0.52	0.51	0.5	0.5	0.5	0.5	0.5	0.49	0.49	0.49
				10 <sup>-3</sup> in.lb.s <sup>2</sup>	0.5	0.46	0.45	0.46	0.45	0.44	0.44	0.44	0.44	0.44	0.43	0.43	0.43

Please use our sizing software cymex<sup>®</sup> for a detailed sizing – [www.wittenstein-cymex.com](http://www.wittenstein-cymex.com)

<sup>a)</sup> Valid for torque transmission only

<sup>b)</sup> Valid for standard clamping hub diameter

<sup>c)</sup> Refers to center of the output shaft or flange

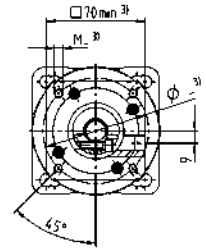
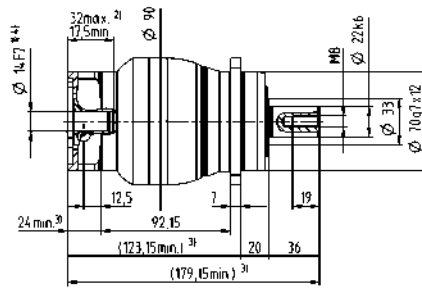
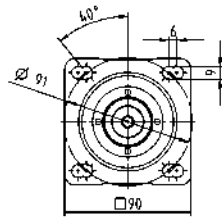
<sup>d)</sup> Please reduce input speed at higher ambient temperatures

<sup>e)</sup> Valid for: Smooth shaft

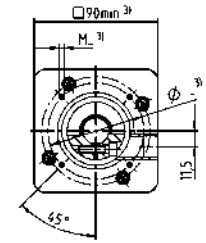
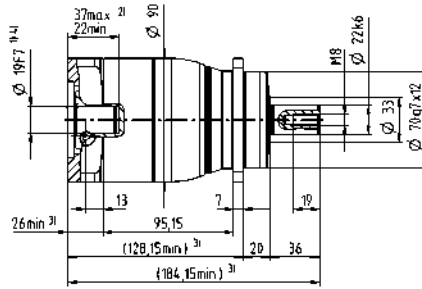
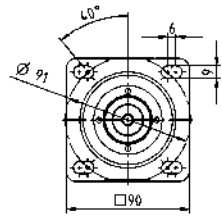
# 2-stage

Motor shaft diameter [mm]

up to 14<sup>4)</sup> (C)<sup>5)</sup>  
clamping hub diameter



up to 19<sup>4)</sup> (E)  
clamping hub diameter

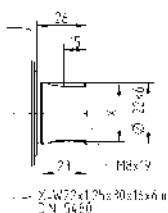
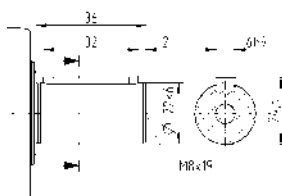


Planetary Gearboxes  
Value Line

## Other output variants

Shaft with key

Splined shaft (DIN 5480)



Non-tolerated dimensions are nominal dimensions

<sup>1)</sup> Check motor shaft fit

<sup>2)</sup> Min. / Max. permissible motor shaft length

Longer motor shafts are possible, please contact alpha

<sup>3)</sup> The dimensions depend on the motor

<sup>4)</sup> Smaller motor shaft diameter is compensated

by a bushing with a minimum wall thickness of 1 mm

<sup>5)</sup> Standard clamping hub diameter

# NPR 035 MF 1-stage

			1-stage							
Ratio	i		3	4	5	7	8	10		
Max. torque <sup>a) b) e)</sup>	$T_{2a}$	Nm	320	408	400	400	352	352		
		in.lb	2832	3611	3540	3540	3115	3115		
Max. acceleration torque <sup>e)</sup> (max. 1000 cycles per hour)	$T_{2B}$	Nm	200	255	250	250	220	220		
		in.lb	1770	2257	2213	2213	1947	1947		
Emergency stop torque <sup>a) b) e)</sup> (permitted 1000 times during the service life of the gearbox)	$T_{2Not}$	Nm	500	500	500	500	500	500		
		in.lb	4425	4425	4425	4425	4425	4425		
Permitted average input speed <sup>d)</sup> (at $T_{2a}$ and 20 °C ambient temperature)	$n_{1N}$	rpm	1800	2000	2000	2300	2400	2500		
Max. input speed	$n_{1Max}$	rpm	6000	6000	6000	6000	6000	6000		
Mean no load running torque <sup>b)</sup> (at $n_1=3000$ rpm and 20 °C gearbox temperature)	$T_{012}$	Nm	3.5	2.8	2.4	1.9	1.8	1.6		
		in.lb	31	25	21	17	16	14		
Max. backlash	$j_l$	arcmin	≤ 8							
Torsional rigidity <sup>b)</sup>	$C_{t21}$	Nm/arcmin	25	25	25	25	22	22		
		in.lb/arcmin	221	221	221	221	195	195		
Max. axial force <sup>c)</sup>	$F_{2AMax}$	N	5650							
		lb <sub>f</sub>	1271							
Max. lateral force <sup>c)</sup>	$F_{2QMMax}$	N	6600							
		lb <sub>f</sub>	1485							
Max. tilting moment	$M_{2KMMax}$	Nm	487							
		in.lb	4310							
Efficiency at full load	$\eta$	%	97							
Service life	$L_n$	h	> 20000							
Weight (incl. standard adapter plate)	m	kg	8.6							
		lb <sub>m</sub>	19							
Operating noise (at reference ratio and reference speed – ratio-specific values available in cymex <sup>®</sup> )	$L_{PA}$	dB(A)	≤ 65							
Max. permitted housing temperature		°C	+90							
		°F	+194							
Ambient temperature		°C	-15 to +40							
		°F	+5 to +104							
Lubrication			Lubricated for life							
Direction of rotation			In- and output same direction							
Protection class			IP 65							
Elastomer coupling (recommended product type – validate sizing with cymex <sup>®</sup> )			ELC-0150BA032.000-X							
Bore diameter of coupling on the application side		mm	X = 019.000 - 036.000							
Mass moment of inertia (relates to the drive) Clamping hub diameter [mm]	E	19	$J_1$	kgcm <sup>2</sup>	2.5	1.7	1.3	1	0.94	0.87
				10 <sup>-3</sup> in.lb.s <sup>2</sup>	2.2	1.5	1.2	0.89	0.83	0.77
	G	24	$J_1$	kgcm <sup>2</sup>	3.3	2.4	2.1	1.8	1.7	1.6
				10 <sup>-3</sup> in.lb.s <sup>2</sup>	2.9	2.1	1.9	1.6	1.5	1.4
	H	28	$J_1$	kgcm <sup>2</sup>	3	2.2	1.8	1.5	1.4	1.4
				10 <sup>-3</sup> in.lb.s <sup>2</sup>	2.7	1.9	1.6	1.3	1.2	1.2
	I	32	$J_1$	kgcm <sup>2</sup>	7.1	6.2	5.9	5.6	5.5	5.4
				10 <sup>-3</sup> in.lb.s <sup>2</sup>	6.3	5.5	5.2	5	4.9	4.8
	K	38	$J_1$	kgcm <sup>2</sup>	8.3	7.4	7.1	6.7	6.6	6.6
				10 <sup>-3</sup> in.lb.s <sup>2</sup>	7.3	6.5	6.3	5.9	5.8	5.8

Please use our sizing software cymex<sup>®</sup> for a detailed sizing – [www.wittenstein-cymex.com](http://www.wittenstein-cymex.com)

<sup>a)</sup> Valid for torque transmission only

<sup>b)</sup> Valid for standard clamping hub diameter

<sup>c)</sup> Refers to center of the output shaft or flange

<sup>d)</sup> Please reduce input speed at higher ambient temperatures

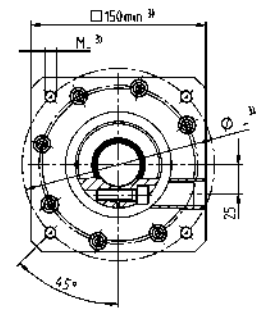
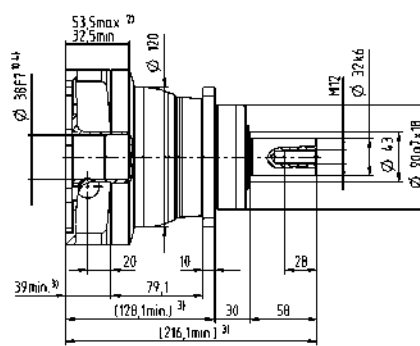
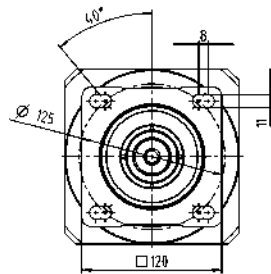
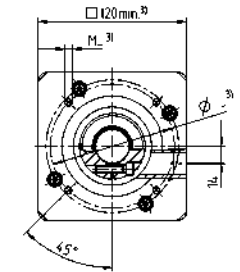
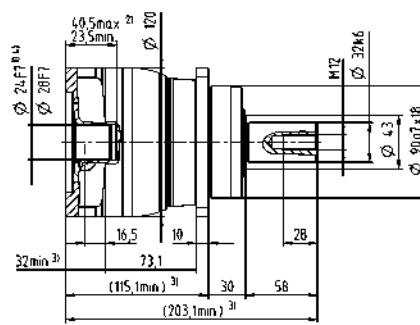
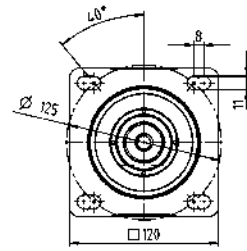
<sup>e)</sup> Valid for: Smooth shaft

# 1-stage

Motor shaft diameter [mm]

up to 24/28<sup>4)</sup>  
(G<sup>5)</sup>/H)  
clamping hub diameter

up to 38<sup>4)</sup> (K)  
clamping hub diameter

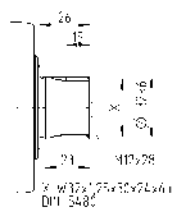
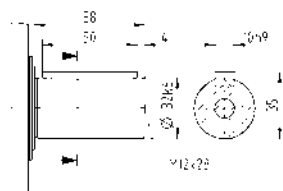


Planetary Gearboxes  
Value Line

## Other output variants

Shaft with key

Splined shaft (DIN 5480)



Non-tolerated dimensions are nominal dimensions

<sup>1)</sup> Check motor shaft fit

<sup>2)</sup> Min. / Max. permissible motor shaft length

Longer motor shafts are possible, please contact alpha

<sup>3)</sup> The dimensions depend on the motor

<sup>4)</sup> Smaller motor shaft diameter is compensated by a bushing with a minimum wall thickness of 1 mm

<sup>5)</sup> Standard clamping hub diameter

# NPR 035 MF 2-stage

			2-stage																
Ratio	i		9	12	15	16	20	25	28	30	32	35	40	50	64	70	100		
Max. torque <sup>a) b) e)</sup>	$T_{2a}$	Nm	320	320	320	408	408	400	408	320	408	400	408	400	352	400	352		
		in.lb	2832	2832	2832	3611	3611	3540	3611	2832	3611	3540	3611	3540	3115	3540	3115		
Max. acceleration torque <sup>e)</sup> (max. 1000 cycles per hour)	$T_{2B}$	Nm	200	200	200	255	255	250	255	200	255	250	255	250	220	250	220		
		in.lb	1770	1770	1770	2257	2257	2213	2257	1770	2257	2213	2257	2213	1947	2213	1947		
Emergency stop torque <sup>a) b) e)</sup> (permitted 1000 times during the service life of the gearbox)	$T_{2Not}$	Nm	500	500	500	500	500	500	500	500	500	500	500	500	500	500	500		
		in.lb	4425	4425	4425	4425	4425	4425	4425	4425	4425	4425	4425	4425	4425	4425	4425		
Permitted average input speed <sup>d)</sup> (at $T_{2a}$ and 20 °C ambient temperature)	$n_{1N}$	rpm	2600	3300	3400	3300	3400	3400	3600	3900	3700	3600	3900	3900	3700	3900	3900		
Max. input speed	$n_{1Max}$	rpm	7000	7000	7000	7000	7000	7000	7000	7000	7000	7000	7000	7000	7000	7000	7000		
Mean no load running torque <sup>b)</sup> (at $n_1=3000$ rpm and 20 °C gearbox temperature)	$T_{012}$	Nm	1.7	1.4	1.2	1.2	1.1	1	0.93	0.88	0.88	0.87	0.81	0.77	0.75	0.72	0.68		
		in.lb	15	12	11	11	9.7	8.9	8.2	7.8	7.8	7.7	7.2	6.8	6.6	6.4	6		
Max. backlash	$j_l$	arcmin	≤ 10																
Torsional rigidity <sup>b)</sup>	$C_{i21}$	Nm/arcmin	25	25	25	25	25	25	25	25	25	25	25	25	25	25	25		
		in.lb/arcmin	221	221	221	221	221	221	221	221	221	221	221	221	221	195	221	195	
Max. axial force <sup>c)</sup>	$F_{2AMax}$	N	5650																
		lb <sub>f</sub>	1271																
Max. lateral force <sup>c)</sup>	$F_{2QMMax}$	N	6600																
		lb <sub>f</sub>	1485																
Max. tilting moment	$M_{2KMMax}$	Nm	487																
		in.lb	4310																
Efficiency at full load	$\eta$	%	95																
Service life	$L_n$	h	> 20000																
Weight (incl. standard adapter plate)	m	kg	9																
		lb <sub>m</sub>	20																
Operating noise (at reference ratio and reference speed – ratio-specific values available in cymex <sup>®</sup> )	$L_{PA}$	dB(A)	≤ 61																
Max. permitted housing temperature		°C	+90																
		°F	+194																
Ambient temperature		°C	-15 to +40																
		°F	+5 to +104																
Lubrication			Lubricated for life																
Direction of rotation			In- and output same direction																
Protection class			IP 65																
Elastomer coupling (recommended product type – validate sizing with cymex <sup>®</sup> )			ELC-0150BA032.000-X																
Bore diameter of coupling on the application side		mm	X = 019.000 - 036.000																
Mass moment of inertia (relates to the drive) Clamping hub diameter [mm]	C	14	$J_1$	kgcm <sup>2</sup>	0.6	0.59	0.6	0.43	0.42	0.36	0.37	0.52	0.38	0.32	0.36	0.31	0.26	0.27	0.24
				10 <sup>-3</sup> in.lb.s <sup>2</sup>	0.53	0.52	0.53	0.38	0.37	0.32	0.33	0.46	0.34	0.28	0.32	0.27	0.23	0.24	0.21
	D	16	$J_1$	kgcm <sup>2</sup>	0.75	0.74	0.74	0.58	0.57	0.5	0.5	0.67	0.52	0.45	0.51	0.46	0.4	0.41	0.39
				10 <sup>-3</sup> in.lb.s <sup>2</sup>	0.66	0.65	0.65	0.51	0.5	0.44	0.44	0.59	0.46	0.4	0.45	0.41	0.35	0.36	0.35
	E	19	$J_1$	kgcm <sup>2</sup>	0.84	0.83	0.83	0.66	0.65	0.59	0.6	0.75	0.61	0.55	0.6	0.54	0.49	0.5	0.48
				10 <sup>-3</sup> in.lb.s <sup>2</sup>	0.74	0.73	0.73	0.58	0.58	0.52	0.53	0.66	0.54	0.49	0.53	0.48	0.43	0.44	0.42
	G	24	$J_1$	kgcm <sup>2</sup>	1.9	1.9	1.9	1.7	1.7	1.6	1.6	1.8	1.6	1.6	1.6	1.6	1.5	1.5	1.5
				10 <sup>-3</sup> in.lb.s <sup>2</sup>	1.7	1.6	1.7	1.5	1.5	1.4	1.5	1.6	1.5	1.4	1.4	1.4	1.4	1.3	1.4
	H	28	$J_1$	kgcm <sup>2</sup>	1.6	1.6	1.6	1.4	1.4	1.3	1.3	1.5	1.4	1.3	1.3	1.3	1.2	1.2	1.2
				10 <sup>-3</sup> in.lb.s <sup>2</sup>	1.4	1.4	1.4	1.2	1.2	1.2	1.2	1.3	1.2	1.1	1.2	1.1	1.1	1.1	1.1

Please use our sizing software cymex<sup>®</sup> for a detailed sizing – [www.wittenstein-cymex.com](http://www.wittenstein-cymex.com)

<sup>a)</sup> Valid for torque transmission only

<sup>b)</sup> Valid for standard clamping hub diameter

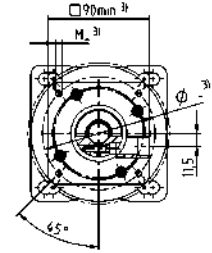
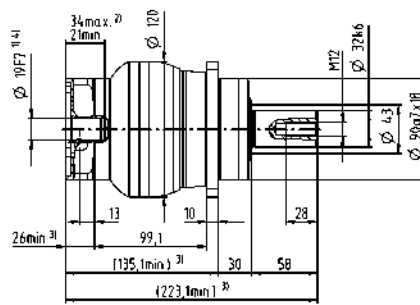
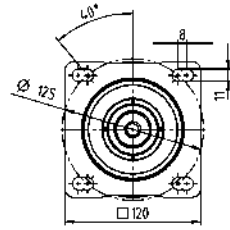
<sup>c)</sup> Refers to center of the output shaft or flange

<sup>d)</sup> Please reduce input speed at higher ambient temperatures

<sup>e)</sup> Valid for: Smooth shaft

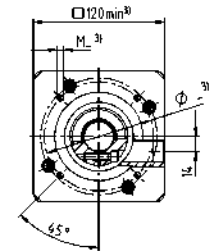
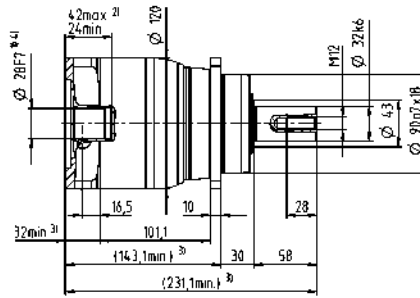
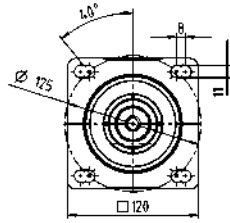
# 2-stage

up to 19<sup>4)</sup> (E)<sup>5)</sup>  
clamping hub  
diameter



Motor shaft diameter [mm]

up to 28<sup>4)</sup> (H)  
clamping hub  
diameter

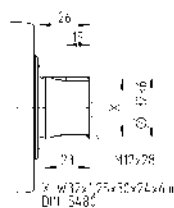
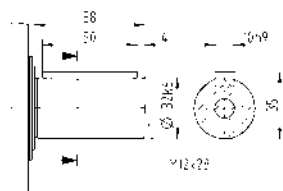


Planetary Gearboxes  
Value Line

## Other output variants

Shaft with key

Splined shaft (DIN 5480)



Non-tolerated dimensions are nominal dimensions

<sup>1)</sup> Check motor shaft fit

<sup>2)</sup> Min. / Max. permissible motor shaft length

Longer motor shafts are possible, please contact alpha

<sup>3)</sup> The dimensions depend on the motor

<sup>4)</sup> Smaller motor shaft diameter is compensated

by a bushing with a minimum wall thickness of 1 mm

<sup>5)</sup> Standard clamping hub diameter

# NPR 045 MF 1-/2-stage

			1-stage			2-stage						
Ratio	i		5	8	10	25	32	50	64	100		
Max. torque <sup>a) b) e)</sup>	$T_{2a}$	Nm	800	640	640	700	640	700	640	640		
		in.lb	7081	5665	5665	6196	5665	6196	5665	5665		
Max. acceleration torque <sup>e)</sup> (max. 1000 cycles per hour)	$T_{2B}$	Nm	500	400	400	500	400	500	400	400		
		in.lb	4425	3540	3540	4425	3540	4425	3540	3540		
Emergency stop torque <sup>a) b) e)</sup> (permitted 1000 times during the service life of the gearbox)	$T_{2Not}$	Nm	1000	1000	1000	1000	1000	1000	1000	1000		
		in.lb	8851	8851	8851	8851	8851	8851	8851	8851		
Permitted average input speed <sup>d)</sup> (at $T_{2N}$ and 20 °C ambient temperature)	$n_{1N}$	rpm	1600	1800	1900	2600	2500	3000	2900	3000		
Max. input speed	$n_{1Max}$	rpm	4000	4000	4000	6000	6000	6000	6000	6000		
Mean no load running torque <sup>b)</sup> (at $n_i=3000$ rpm and 20 °C gearbox temperature)	$T_{012}$	Nm	4.6	3.1	2.6	1.6	1.5	1.2	1.1	0.97		
		in.lb	41	27	23	14	13	11	9.7	8.6		
Max. backlash	$j_l$	arcmin	≤ 8			≤ 10						
Torsional rigidity <sup>b)</sup>	$C_{i21}$	Nm/arcmin	55	44	44	55	44	55	44	44		
		in.lb/arcmin	487	389	389	487	389	487	389	389		
Max. axial force <sup>c)</sup>	$F_{2AMax}$	N	9870			9870						
		lb <sub>f</sub>	2221			2221						
Max. lateral force <sup>c)</sup>	$F_{2QMax}$	N	9900			9900						
		lb <sub>f</sub>	2228			2228						
Max. tilting moment	$M_{2KMMax}$	Nm	952			952						
		in.lb	8426			8426						
Efficiency at full load	$\eta$	%	97			95						
Service life	$L_n$	h	> 20000			> 20000						
Weight (incl. standard adapter plate)	m	kg	19			20						
		lb <sub>m</sub>	42			44						
Operating noise (at reference ratio and reference speed – ratio-specific values available in cymex <sup>®</sup> )	$L_{PA}$	dB(A)	≤ 68			≤ 65						
Max. permitted housing temperature		°C	+90			+90						
		°F	+194			+194						
Ambient temperature		°C	-15 to +40			-15 to +40						
		°F	+5 to +104			+5 to +104						
Lubrication			Lubricated for life									
Direction of rotation			In- and output same direction									
Protection class			IP 65									
Elastomer coupling (recommended product type – validate sizing with cymex <sup>®</sup> )			ELC-0300BA040.000-X									
Bore diameter of coupling on the application side		mm	X = 020.000 - 045.000									
Mass moment of inertia (relates to the drive) Clamping hub diameter [mm]	E	19	$J_i$	kgcm <sup>2</sup>	-	-	-	1.2	1.1	1	0.88	0.82
				10 <sup>-3</sup> in.lb.s <sup>2</sup>	-	-	-	1.1	0.97	0.89	0.78	0.73
	G	24	$J_i$	kgcm <sup>2</sup>	-	-	-	2	1.9	1.8	1.7	1.6
				10 <sup>-3</sup> in.lb.s <sup>2</sup>	-	-	-	1.8	1.7	1.6	1.5	1.4
	H	28	$J_i$	kgcm <sup>2</sup>	-	-	-	1.7	1.6	1.5	1.4	1.3
				10 <sup>-3</sup> in.lb.s <sup>2</sup>	-	-	-	1.5	1.4	1.3	1.2	1.2
	I	32	$J_i$	kgcm <sup>2</sup>	-	-	-	5.8	5.7	5.6	5.4	5.4
				10 <sup>-3</sup> in.lb.s <sup>2</sup>	-	-	-	5.1	5	5	4.8	4.8
	K	38	$J_i$	kgcm <sup>2</sup>	8.7	7.3	7.2	7	6.9	6.8	6.6	6.5
				10 <sup>-3</sup> in.lb.s <sup>2</sup>	7.7	6.5	6.4	6.2	6.1	6	5.8	5.8

Please use our sizing software cymex<sup>®</sup> for a detailed sizing – [www.wittenstein-cymex.com](http://www.wittenstein-cymex.com)

<sup>a)</sup> Valid for torque transmission only

<sup>b)</sup> Valid for standard clamping hub diameter

<sup>c)</sup> Refers to center of the output shaft or flange

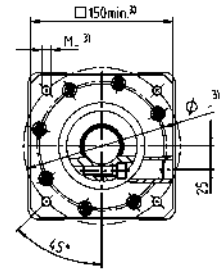
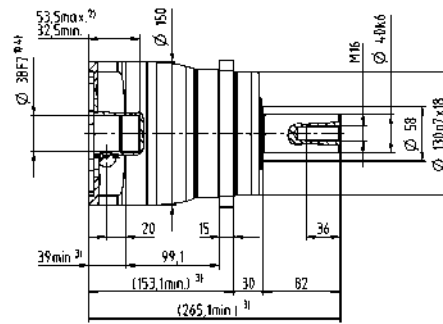
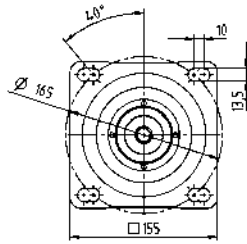
<sup>d)</sup> Please reduce input speed at higher ambient temperatures

<sup>e)</sup> Valid for: Smooth shaft



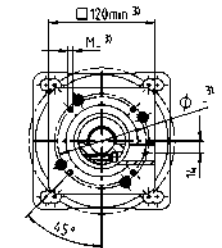
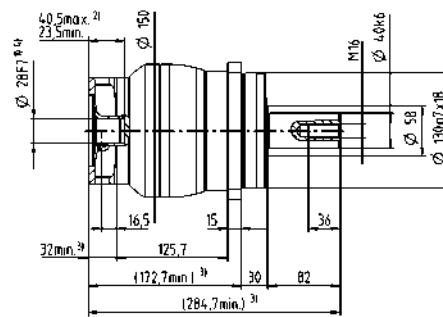
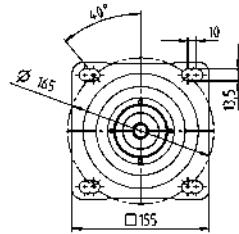
# 1-stage

up to 38<sup>4)</sup> (K)<sup>5)</sup>  
clamping hub  
diameter



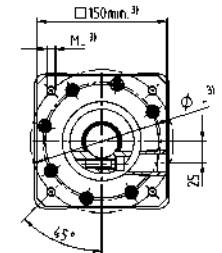
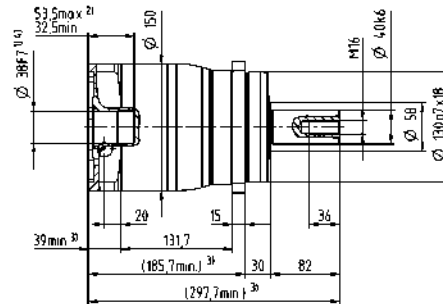
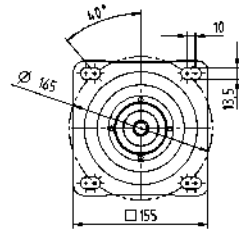
# 2-stage

up to 28<sup>4)</sup> (H)<sup>5)</sup>  
clamping hub  
diameter



Motor shaft diameter [mm]

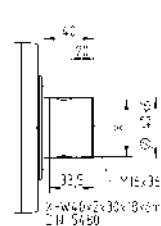
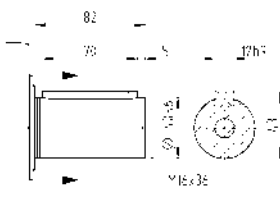
up to 38<sup>4)</sup> (K)  
clamping hub  
diameter



## Other output variants

Shaft with key

Splined shaft (DIN 5480)



Non-tolerated dimensions are nominal dimensions

<sup>1)</sup> Check motor shaft fit

<sup>2)</sup> Min. / Max. permissible motor shaft length

Longer motor shafts are possible, please contact alpha

<sup>3)</sup> The dimensions depend on the motor

<sup>4)</sup> Smaller motor shaft diameter is compensated

by a bushing with a minimum wall thickness of 1 mm

<sup>5)</sup> Standard clamping hub diameter

# NPR 015 MA 1-/2-stage

			1-stage		2-stage							
Ratio	i		3	4	12	15	16	20	28	30	40	
Max. torque <sup>a) b) e)</sup>	$T_{2a}$	Nm	80	67	62	67	67	67	67	62	67	
		in.lb	708	593	549	593	593	593	593	593	549	593
Max. acceleration torque <sup>e)</sup> (max. 1000 cycles per hour)	$T_{2B}$	Nm	55	42	39	42	42	42	42	42	39	42
		in.lb	487	372	345	372	372	372	372	372	345	372
Emergency stop torque <sup>a) b) e)</sup> (permitted 1000 times during the service life of the gearbox)	$T_{2Not}$	Nm	80	80	80	80	80	80	80	80	80	80
		in.lb	708	708	708	708	708	708	708	708	708	708
Permitted average input speed <sup>d)</sup> (at $T_{2N}$ and 20 °C ambient temperature)	$n_{1N}$	rpm	2600	2800	3800	4000	3800	4000	4300	4600	4600	
Max. input speed	$n_{1Max}$	rpm	8000	8000	10000	10000	10000	10000	10000	10000	10000	
Mean no load running torque <sup>b)</sup> (at $n_1=3000$ rpm and 20 °C gearbox temperature)	$T_{012}$	Nm	0.98	0.78	0.34	0.29	0.29	0.25	0.21	0.21	0.19	
		in.lb	8.7	6.9	3	2.6	2.6	2.2	1.9	1.9	1.7	
Max. backlash	$j_l$	arcmin	≤ 8		≤ 10							
Torsional rigidity <sup>b)</sup>	$C_{121}$	Nm/arcmin	4	4	4	4	4	4	4	4	4	
		in.lb/arcmin	35	35	35	35	35	35	35	35	35	
Max. axial force <sup>c)</sup>	$F_{2AMax}$	N	2400		2400							
		lb <sub>f</sub>	540		540							
Max. lateral force <sup>c)</sup>	$F_{2QMMax}$	N	2800		2800							
		lb <sub>f</sub>	630		630							
Max. tilting moment	$M_{2KMMax}$	Nm	152		152							
		in.lb	1345		1345							
Efficiency at full load	$\eta$	%	97		95							
Service life	$L_n$	h	> 20000		> 20000							
Weight (incl. standard adapter plate)	m	kg	1.9		2							
		lb <sub>m</sub>	4.2		4.4							
Operating noise (at reference ratio and reference speed – ratio-specific values available in cymex®)	$L_{PA}$	dB(A)	≤ 59		≤ 58							
Max. permitted housing temperature		°C	+90		+90							
		°F	+194		+194							
Ambient temperature		°C	-15 to +40		-15 to +40							
		°F	+5 to +104		+5 to +104							
Lubrication			Lubricated for life									
Direction of rotation			In- and output same direction									
Protection class			IP 65									
Elastomer coupling (recommended product type – validate sizing with cymex®)			ELC-0060BA016.000-X									
Bore diameter of coupling on the application side		mm	X = 012.000 - 032.000									
Mass moment of inertia (relates to the drive) Clamping hub diameter [mm]	Z	8	$J_1$	kgcm <sup>2</sup>	-	-	0.04	0.04	0.03	0.03	0.03	0.03
				10 <sup>-3</sup> in.lb.s <sup>2</sup>	-	-	0.04	0.04	0.03	0.03	0.03	0.03
	A	9	$J_1$	kgcm <sup>2</sup>	0.25	0.19	0.04	0.04	0.03	0.03	0.03	0.03
				10 <sup>-3</sup> in.lb.s <sup>2</sup>	0.22	0.17	0.04	0.04	0.03	0.03	0.03	0.03
	B	11	$J_1$	kgcm <sup>2</sup>	0.26	0.21	0.06	0.06	0.05	0.05	0.05	0.05
				10 <sup>-3</sup> in.lb.s <sup>2</sup>	0.23	0.19	0.05	0.05	0.04	0.04	0.04	0.04
	C	14	$J_1$	kgcm <sup>2</sup>	0.34	0.28	0.14	0.14	0.14	0.13	0.13	0.14
				10 <sup>-3</sup> in.lb.s <sup>2</sup>	0.3	0.25	0.12	0.12	0.12	0.12	0.12	0.12
	D	16	$J_1$	kgcm <sup>2</sup>	0.47	0.41	-	-	-	-	-	-
				10 <sup>-3</sup> in.lb.s <sup>2</sup>	0.42	0.36	-	-	-	-	-	-
	E	19	$J_1$	kgcm <sup>2</sup>	0.55	0.49	-	-	-	-	-	-
				10 <sup>-3</sup> in.lb.s <sup>2</sup>	0.49	0.43	-	-	-	-	-	-

Please use our sizing software cymex® for a detailed sizing – [www.wittenstein-cymex.com](http://www.wittenstein-cymex.com)

<sup>a)</sup> Valid for torque transmission only

<sup>b)</sup> Valid for standard clamping hub diameter

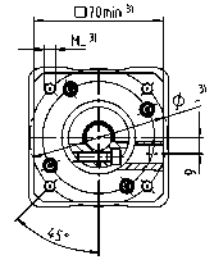
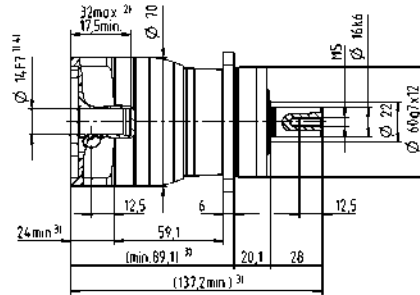
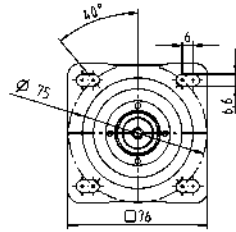
<sup>c)</sup> Refers to center of the output shaft or flange

<sup>d)</sup> Please reduce input speed at higher ambient temperatures

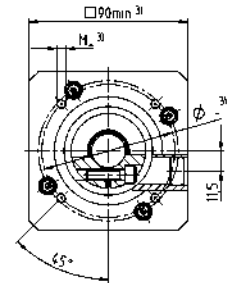
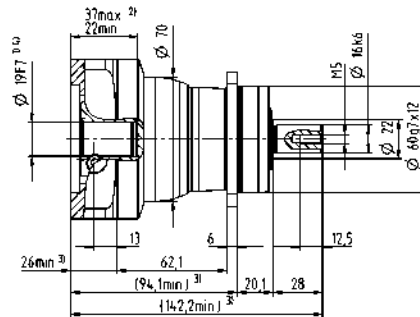
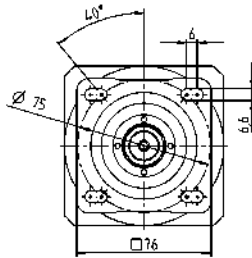
<sup>e)</sup> Valid for: Smooth shaft

# 1-stage

up to 14<sup>4)</sup> (C)<sup>5)</sup>  
clamping hub diameter

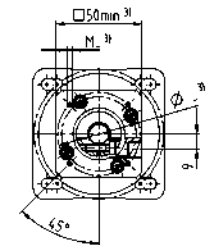
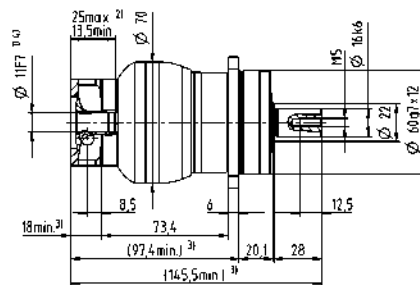
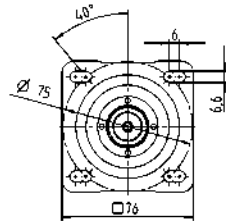


up to 19<sup>4)</sup> (E)  
clamping hub diameter

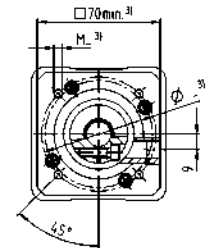
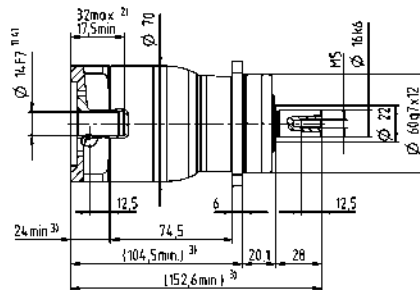
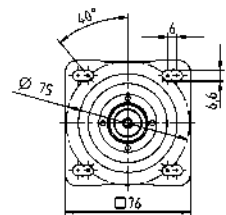


# 2-stage

up to 11<sup>4)</sup> (B)<sup>5)</sup>  
clamping hub diameter



up to 14<sup>4)</sup> (C)  
clamping hub diameter

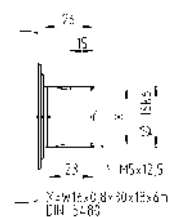
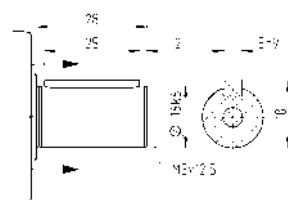


Motor shaft diameter [mm]

## Other output variants

Shaft with key

Splined shaft (DIN 5480)



Non-tolerated dimensions are nominal dimensions

<sup>1)</sup> Check motor shaft fit

<sup>2)</sup> Min. / Max. permissible motor shaft length

Longer motor shafts are possible, please contact alpha

<sup>3)</sup> The dimensions depend on the motor

<sup>4)</sup> Smaller motor shaft diameter is compensated

by a bushing with a minimum wall thickness of 1 mm

<sup>5)</sup> Standard clamping hub diameter

# NPR 025 MA 1-/2-stage

			1-stage		2-stage									
Ratio	i		3	4	9	12	15	16	20	28	30	40		
Max. torque <sup>a) b) e)</sup>	$T_{2a}$	Nm	185	185	185	185	185	185	185	185	168	185		
		in.lb	1637	1637	1637	1637	1637	1637	1637	1637	1637	1487	1637	
Max. acceleration torque <sup>e)</sup> (max. 1000 cycles per hour)	$T_{2B}$	Nm	125	115	125	125	120	115	115	115	105	115		
		in.lb	1106	1018	1106	1106	1062	1018	1018	1018	929	1018		
Emergency stop torque <sup>a) b) e)</sup> (permitted 1000 times during the service life of the gearbox)	$T_{2Not}$	Nm	190	190	190	190	190	190	190	190	190	190		
		in.lb	1682	1682	1682	1682	1682	1682	1682	1682	1682	1682		
Permitted average input speed <sup>d)</sup> (at $T_{2a}$ and 20 °C ambient temperature)	$n_{1N}$	rpm	2400	2600	2800	3500	3700	3500	3700	4000	4300	4300		
Max. input speed	$n_{1Max}$	rpm	7000	7000	8000	8000	8000	8000	8000	8000	8000	8000		
Mean no load running torque <sup>b)</sup> (at $n_1=3000$ rpm and 20 °C gearbox temperature)	$T_{012}$	Nm	1.8	1.5	0.67	0.55	0.47	0.46	0.4	0.34	0.33	0.29		
		in.lb	16	13	5.9	4.9	4.2	4.1	3.5	3	2.9	2.6		
Max. backlash	$j_l$	arcmin	≤ 8		≤ 10									
Torsional rigidity <sup>b)</sup>	$C_{i21}$	Nm/arcmin	12	12	12	12	12	12	12	12	12	12		
		in.lb/arcmin	106	106	106	106	106	106	106	106	106	106		
Max. axial force <sup>c)</sup>	$F_{2AMax}$	N	3350		3350									
		lb <sub>f</sub>	754		754									
Max. lateral force <sup>c)</sup>	$F_{2QMMax}$	N	4200		4200									
		lb <sub>f</sub>	945		945									
Max. tilting moment	$M_{2KMMax}$	Nm	236		236									
		in.lb	2089		2089									
Efficiency at full load	$\eta$	%	97		95									
Service life	$L_n$	h	> 20000		> 20000									
Weight (incl. standard adapter plate)	m	kg	3.7		4									
		lb <sub>m</sub>	8.2		8.8									
Operating noise (at reference ratio and reference speed – ratio-specific values available in cymex®)	$L_{PA}$	dB(A)	≤ 61		≤ 59									
			°C		+90		+90							
Max. permitted housing temperature			°F		+194		+194							
			°C		-15 to +40		-15 to +40							
Ambient temperature			°F		+5 to +104		+5 to +104							
			Lubricated for life											
Direction of rotation		In- and output same direction												
Protection class		IP 65												
Elastomer coupling (recommended product type – validate sizing with cymex®)		ELC-0060BA022.000-X												
Bore diameter of coupling on the application side		mm	X = 012.000 - 032.000											
Mass moment of inertia (relates to the drive) Clamping hub diameter [mm]	A	9	$J_1$	kgcm <sup>2</sup>	-	-	0.26	0.22	0.21	0.21	0.2	0.19	0.19	
				10 <sup>-3</sup> in.lb.s <sup>2</sup>	-	-	0.23	0.19	0.19	0.19	0.18	0.17	0.17	
	B	11	$J_1$	kgcm <sup>2</sup>	-	-	0.28	0.24	0.23	0.23	0.22	0.21	0.21	
				10 <sup>-3</sup> in.lb.s <sup>2</sup>	-	-	0.25	0.21	0.2	0.2	0.19	0.19	0.19	
	C	14	$J_1$	kgcm <sup>2</sup>	0.58	0.47	0.35	0.31	0.3	0.3	0.3	0.29	0.28	
				10 <sup>-3</sup> in.lb.s <sup>2</sup>	0.51	0.42	0.31	0.27	0.27	0.27	0.27	0.26	0.25	
	D	16	$J_1$	kgcm <sup>2</sup>	0.73	0.62	0.48	0.44	0.43	0.43	0.42	0.41	0.41	
				10 <sup>-3</sup> in.lb.s <sup>2</sup>	0.65	0.55	0.42	0.39	0.38	0.38	0.37	0.36	0.36	
	E	19	$J_1$	kgcm <sup>2</sup>	0.81	0.71	0.56	0.52	0.51	0.52	0.51	0.5	0.5	
				10 <sup>-3</sup> in.lb.s <sup>2</sup>	0.72	0.63	0.5	0.46	0.45	0.46	0.45	0.44	0.44	
	G	24	$J_1$	kgcm <sup>2</sup>	1.8	1.7	-	-	-	-	-	-	-	
				10 <sup>-3</sup> in.lb.s <sup>2</sup>	1.6	1.5	-	-	-	-	-	-	-	
	H	28	$J_1$	kgcm <sup>2</sup>	1.6	1.4	-	-	-	-	-	-	-	
				10 <sup>-3</sup> in.lb.s <sup>2</sup>	1.4	1.2	-	-	-	-	-	-	-	

Please use our sizing software cymex® for a detailed sizing – [www.wittenstein-cymex.com](http://www.wittenstein-cymex.com)

<sup>a)</sup> Valid for torque transmission only

<sup>b)</sup> Valid for standard clamping hub diameter

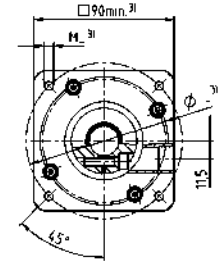
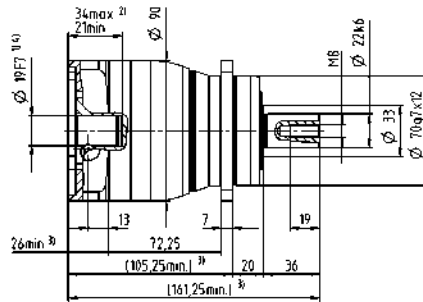
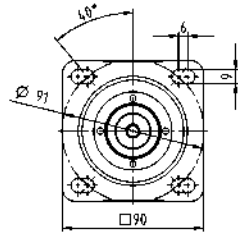
<sup>c)</sup> Refers to center of the output shaft or flange

<sup>d)</sup> Please reduce input speed at higher ambient temperatures

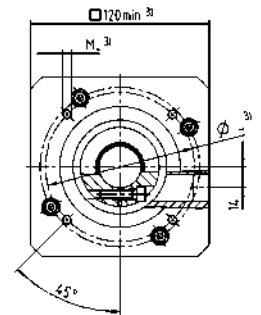
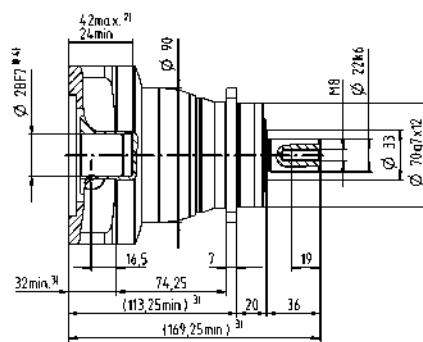
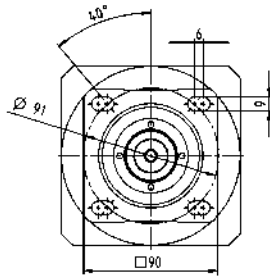
<sup>e)</sup> Valid for: Smooth shaft

# 1-stage

up to 19<sup>4)</sup> (E)<sup>5)</sup>  
clamping hub diameter

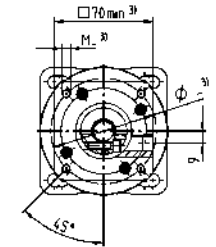
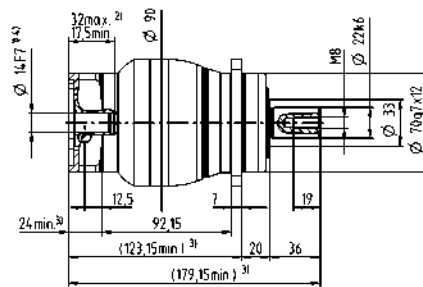
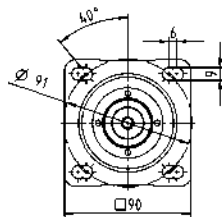


up to 28<sup>4)</sup> (H)  
clamping hub diameter

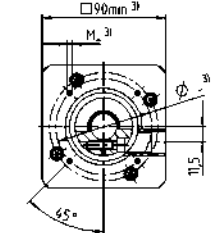
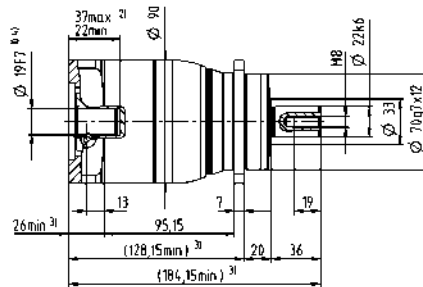
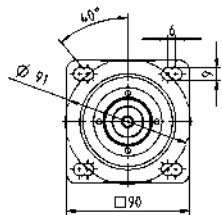


# 2-stage

up to 14<sup>4)</sup> (C)<sup>5)</sup>  
clamping hub diameter



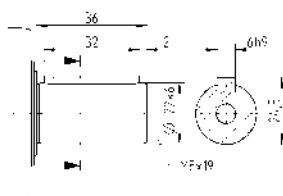
up to 19<sup>4)</sup> (E)  
clamping hub diameter



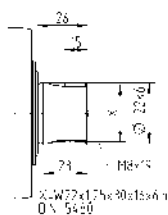
Motor shaft diameter [mm]

## Other output variants

Shaft with key



Splined shaft (DIN 5480)



Non-tolerated dimensions are nominal dimensions

<sup>1)</sup> Check motor shaft fit

<sup>2)</sup> Min. / Max. permissible motor shaft length

Longer motor shafts are possible, please contact alpha

<sup>3)</sup> The dimensions depend on the motor

<sup>4)</sup> Smaller motor shaft diameter is compensated

by a bushing with a minimum wall thickness of 1 mm

<sup>5)</sup> Standard clamping hub diameter

# NPR 035 MA 1-/2-stage

			1-stage		2-stage									
Ratio	i		3	4	9	12	15	16	20	28	30	40		
Max. torque <sup>a) b) e)</sup>	$T_{2a}$	Nm	480	480	480	480	480	480	480	480	432	480		
		in.lb	4248	4248	4248	4248	4248	4248	4248	4248	4248	3824	4248	
Max. acceleration torque <sup>e)</sup> (max. 1000 cycles per hour)	$T_{2B}$	Nm	305	305	305	305	300	305	305	305	270	305		
		in.lb	2699	2699	2699	2699	2655	2699	2699	2699	2390	2699		
Emergency stop torque <sup>a) b) e)</sup> (permitted 1000 times during the service life of the gearbox)	$T_{2Not}$	Nm	500	500	500	500	500	500	500	500	500	500		
		in.lb	4425	4425	4425	4425	4425	4425	4425	4425	4425	4425		
Permitted average input speed <sup>d)</sup> (at $T_{2N}$ and 20 °C ambient temperature)	$n_{1N}$	rpm	1800	2000	2600	3300	3400	3300	3400	3600	3900	3900		
Max. input speed	$n_{1Max}$	rpm	6000	6000	7000	7000	7000	7000	7000	7000	7000	7000		
Mean no load running torque <sup>b)</sup> (at $n_1=3000$ rpm and 20 °C gearbox temperature)	$T_{012}$	Nm	3.5	2.8	1.7	1.4	1.2	1.2	1.1	0.93	0.88	0.81		
		in.lb	31	25	15	12	11	11	9.7	8.2	7.8	7.2		
Max. backlash	$j_l$	arcmin	≤ 8		≤ 10									
Torsional rigidity <sup>b)</sup>	$C_{i21}$	Nm/arcmin	30	30	30	30	30	30	30	30	30	30		
		in.lb/arcmin	266	266	266	266	266	266	266	266	266	266		
Max. axial force <sup>c)</sup>	$F_{2AMax}$	N	5650		5650									
		lb <sub>f</sub>	1271		1271									
Max. lateral force <sup>c)</sup>	$F_{2QMMax}$	N	6600		6600									
		lb <sub>f</sub>	1485		1485									
Max. tilting moment	$M_{2KMMax}$	Nm	487		487									
		in.lb	4310		4310									
Efficiency at full load	$\eta$	%	97		95									
Service life	$L_n$	h	> 20000		> 20000									
Weight (incl. standard adapter plate)	m	kg	8.6		9									
		lb <sub>m</sub>	19		20									
Operating noise (at reference ratio and reference speed – ratio-specific values available in cymex®)	$L_{PA}$	dB(A)	≤ 65		≤ 61									
		°C	+90		+90									
Max. permitted housing temperature		°F	+194		+194									
		°C	-15 to +40		-15 to +40									
Ambient temperature		°F	+5 to +104		+5 to +104									
			Lubricated for life											
Direction of rotation			In- and output same direction											
Protection class			IP 65											
Elastomer coupling (recommended product type – validate sizing with cymex®)			ELC-0150BA032.000-X											
Bore diameter of coupling on the application side		mm	X = 019.000 - 036.000											
Mass moment of inertia (relates to the drive) Clamping hub diameter [mm]	C	14	$J_1$	kgcm <sup>2</sup>	-	-	0.6	0.59	0.6	0.43	0.42	0.37	0.52	0.36
				10 <sup>-3</sup> in.lb.s <sup>2</sup>	-	-	0.53	0.52	0.53	0.38	0.37	0.33	0.46	0.32
	D	16	$J_1$	kgcm <sup>2</sup>	-	-	0.75	0.74	0.74	0.58	0.57	0.5	0.67	0.51
				10 <sup>-3</sup> in.lb.s <sup>2</sup>	-	-	0.66	0.65	0.65	0.51	0.5	0.44	0.59	0.45
	E	19	$J_1$	kgcm <sup>2</sup>	2.5	1.7	0.84	0.83	0.83	0.66	0.65	0.6	0.75	0.6
				10 <sup>-3</sup> in.lb.s <sup>2</sup>	2.2	1.5	0.74	0.73	0.73	0.58	0.58	0.53	0.66	0.53
	G	24	$J_1$	kgcm <sup>2</sup>	3.3	2.4	1.9	1.9	1.9	1.7	1.7	1.6	1.8	1.6
				10 <sup>-3</sup> in.lb.s <sup>2</sup>	2.9	2.1	1.7	1.6	1.7	1.5	1.5	1.5	1.6	1.4
	H	28	$J_1$	kgcm <sup>2</sup>	3	2.2	1.6	1.6	1.6	1.4	1.4	1.3	1.5	1.3
				10 <sup>-3</sup> in.lb.s <sup>2</sup>	2.7	1.9	1.4	1.4	1.4	1.2	1.2	1.2	1.3	1.2
	I	32	$J_1$	kgcm <sup>2</sup>	7.1	6.2	-	-	-	-	-	-	-	-
				10 <sup>-3</sup> in.lb.s <sup>2</sup>	6.3	5.5	-	-	-	-	-	-	-	-
K	38	$J_1$	kgcm <sup>2</sup>	8.3	7.4	-	-	-	-	-	-	-	-	
			10 <sup>-3</sup> in.lb.s <sup>2</sup>	7.3	6.5	-	-	-	-	-	-	-	-	

Please use our sizing software cymex® for a detailed sizing – [www.wittenstein-cymex.com](http://www.wittenstein-cymex.com)

<sup>a)</sup> Valid for torque transmission only

<sup>b)</sup> Valid for standard clamping hub diameter

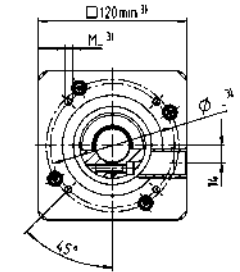
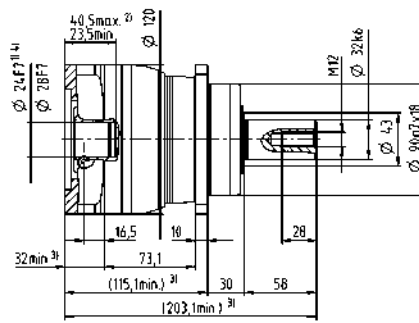
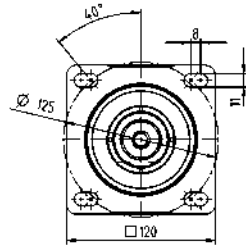
<sup>c)</sup> Refers to center of the output shaft or flange

<sup>d)</sup> Please reduce input speed at higher ambient temperatures

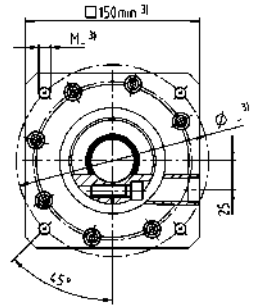
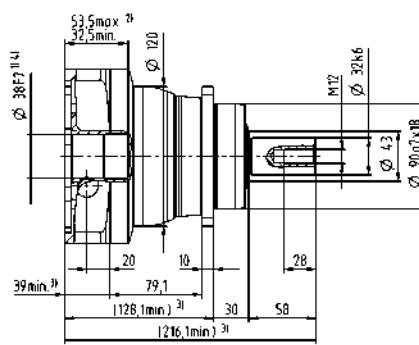
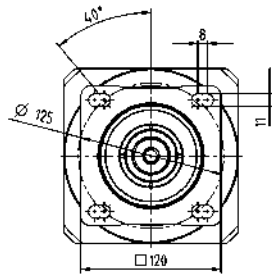
<sup>e)</sup> Valid for: Smooth shaft

# 1-stage

up to 24<sup>4)</sup> (G<sup>5)</sup>/H) clamping hub diameter

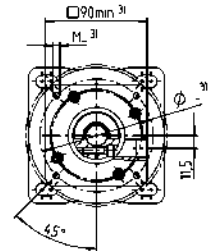
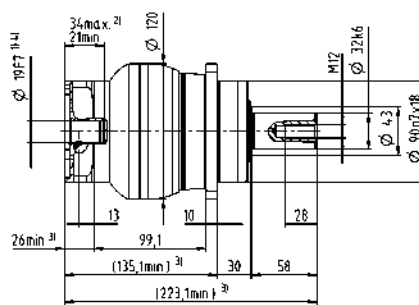
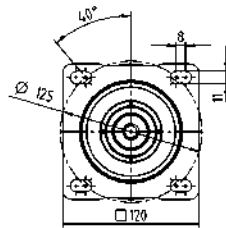


up to 38<sup>4)</sup> (K) clamping hub diameter

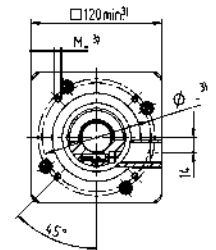
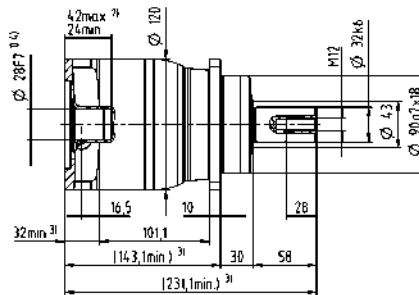
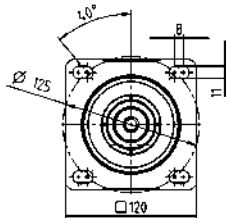


# 2-stage

up to 19<sup>4)</sup> (E<sup>5)</sup> clamping hub diameter



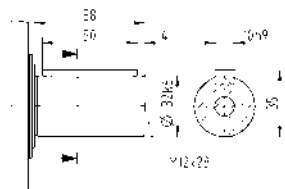
up to 28<sup>4)</sup> (H) clamping hub diameter



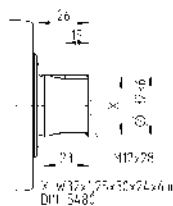
Motor shaft diameter [mm]

## Other output variants

Shaft with key



Splined shaft (DIN 5480)



Non-tolerated dimensions are nominal dimensions

<sup>1)</sup> Check motor shaft fit

<sup>2)</sup> Min. / Max. permissible motor shaft length

Longer motor shafts are possible, please contact alpha

<sup>3)</sup> The dimensions depend on the motor

<sup>4)</sup> Smaller motor shaft diameter is compensated

by a bushing with a minimum wall thickness of 1 mm

<sup>5)</sup> Standard clamping hub diameter

# NTP 015 MQ 1-stage

			1-stage					
Ratio	i		4	5	7	10		
Max. torque <sup>a) b)</sup>	$T_{2a}$	Nm	56	64	64	56		
		in.lb	496	566	566	496		
Max. acceleration torque (max. 1000 cycles per hour)	$T_{2B}$	Nm	35	40	40	35		
		in.lb	310	354	354	310		
Emergency stop torque <sup>a) b)</sup> (permitted 1000 times during the service life of the gearbox)	$T_{2Not}$	Nm	80	80	80	80		
		in.lb	708	708	708	708		
Permitted average input speed <sup>d)</sup> (at $T_{2N}$ and 20 °C ambient temperature)	$n_{1N}$	rpm	3100	3300	3600	3800		
Max. input speed	$n_{1Max}$	rpm	8000	8000	8000	8000		
Mean no load running torque <sup>b)</sup> (at $n_1=3000$ rpm and 20 °C gearbox temperature)	$T_{012}$	Nm	0.78	0.66	0.52	0.42		
		in.lb	6.9	5.8	4.6	3.7		
Max. backlash	$j_t$	arcmin	≤ 7					
Torsional rigidity <sup>b)</sup>	$C_{t21}$	Nm/arcmin	7	7	7	5.5		
		in.lb/arcmin	62	62	62	49		
Max. axial force <sup>c)</sup>	$F_{2AMax}$	N	1900					
		lb <sub>f</sub>	428					
Max. tilting moment	$M_{2KMMax}$	Nm	91					
		in.lb	805					
Efficiency at full load	$\eta$	%	97					
Service life	$L_n$	h	> 20000					
Weight (incl. standard adapter plate)	$m$	kg	1.6					
		lb <sub>m</sub>	3.5					
Operating noise (at reference ratio and reference speed – ratio-specific values available in cymex®)	$L_{PA}$	dB(A)	≤ 58					
Max. permitted housing temperature		°C	+90					
		°F	+194					
Ambient temperature		°C	-15 to +40					
		°F	+5 to +104					
Lubrication			Lubricated for life					
Direction of rotation			In- and output same direction					
Protection class			IP 65					
Elastomer coupling (recommended product type – validate sizing with cymex®)			ELT-00060BAX-031.50					
Bore diameter of coupling on the application side		mm	X = 018.000 - 032.000					
Mass moment of inertia (relates to the drive) Clamping hub diameter [mm]	A	9	$J_1$	kgcm <sup>2</sup>	0.22	0.19	0.15	0.14
				10 <sup>-3</sup> in.lb.s <sup>2</sup>	0.19	0.17	0.13	0.12
	B	11	$J_1$	kgcm <sup>2</sup>	0.24	0.20	0.17	0.16
				10 <sup>-3</sup> in.lb.s <sup>2</sup>	0.21	0.18	0.15	0.14
	C	14	$J_1$	kgcm <sup>2</sup>	0.31	0.28	0.25	0.23
				10 <sup>-3</sup> in.lb.s <sup>2</sup>	0.27	0.25	0.22	0.20

Please use our sizing software cymex® for a detailed sizing – [www.wittenstein-cymex.com](http://www.wittenstein-cymex.com)

<sup>a)</sup> Valid for torque transmission only

<sup>b)</sup> Valid for standard clamping hub diameter

<sup>c)</sup> Refers to center of the output shaft or flange

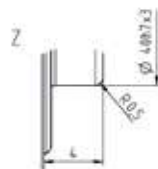
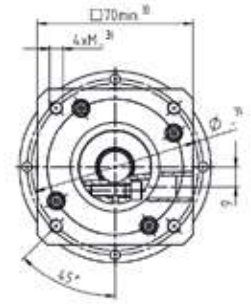
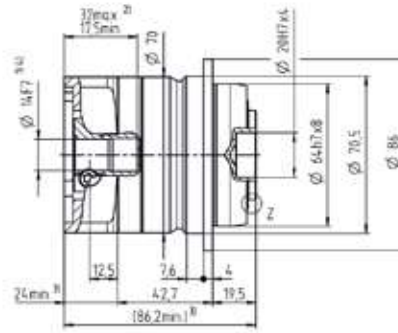
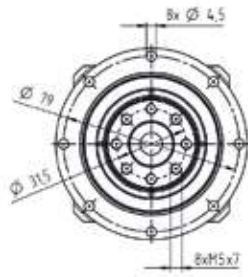
<sup>d)</sup> Please reduce input speed at higher ambient temperatures



Motor shaft diameter [mm]

# 1-stage

up to 14<sup>4)</sup> (C)<sup>5)</sup>  
clamping hub diameter



Non-tolerated dimensions are nominal dimensions

<sup>1)</sup> Check motor shaft fit

<sup>2)</sup> Min. / Max. permissible motor shaft length

Longer motor shafts are possible, please contact alpha

<sup>3)</sup> The dimensions depend on the motor

<sup>4)</sup> Smaller motor shaft diameter is compensated by a bushing with a minimum wall thickness of 1 mm

<sup>5)</sup> Standard clamping hub diameter

# NTP 015J MQ 2-stage

			2-stage										
Ratio	i		16	20	25	28	35	40	50	70	100		
Max. torque <sup>a) b)</sup>	$T_{2a}$	Nm	56	56	64	56	64	56	64	64	56		
		in.lb	496	496	566	496	566	496	566	566	496		
Max. acceleration torque (max. 1000 cycles per hour)	$T_{2B}$	Nm	35	35	40	35	40	35	40	40	35		
		in.lb	310	310	354	310	354	310	354	354	310		
Emergency stop torque <sup>a) b)</sup> (permitted 1000 times during the service life of the gearbox)	$T_{2Not}$	Nm	80	80	80	80	80	80	80	80	80		
		in.lb	708	708	708	708	708	708	708	708	708		
Permitted average input speed <sup>d)</sup> (at $T_{2N}$ and 20 °C ambient temperature)	$n_{1N}$	rpm	3100	3300	3300	3600	3300	3800	3800	3800	3800		
Max. input speed	$n_{1Max}$	rpm	8000	8000	8000	8000	8000	8000	8000	8000	8000		
Mean no load running torque <sup>b)</sup> (at $n_1=3000$ rpm and 20 °C gearbox temperature)	$T_{012}$	Nm	0.35	0.31	0.29	0.27	0.26	0.25	0.23	0.22	0.21		
		in.lb	3.1	2.7	2.6	2.4	2.3	2.2	2.0	1.9	1.9		
Max. backlash	$j_t$	arcmin	≤ 8										
Torsional rigidity <sup>b)</sup>	$C_{t21}$	Nm/arcmin	7	7	7	7	7	7	7	7	5.5		
		in.lb/arcmin	62	62	62	62	62	62	62	62	49		
Max. axial force <sup>c)</sup>	$F_{2AMax}$	N	1900										
		lb <sub>f</sub>	428										
Max. tilting moment	$M_{2KMMax}$	Nm	91										
		in.lb	805										
Efficiency at full load	$\eta$	%	95										
Service life	$L_n$	h	> 20000										
Weight (incl. standard adapter plate)	$m$	kg	2.1										
		lb <sub>m</sub>	4.6										
Operating noise (at reference ratio and reference speed – ratio-specific values available in cymex®)	$L_{PA}$	dB(A)	≤ 58										
Max. permitted housing temperature		°C	+90										
		°F	+194										
Ambient temperature		°C	-15 to +40										
		°F	+5 to +104										
Lubrication			Lubricated for life										
Direction of rotation			In- and output same direction										
Protection class			IP 65										
Elastomer coupling (recommended product type – validate sizing with cymex®)			ELT-00060BAX-031.50										
Bore diameter of coupling on the application side		mm	X = 018.000 - 032.000										
Mass moment of inertia (relates to the drive) Clamping hub diameter [mm]	A	9	$J_1$	kgcm <sup>2</sup>	0.17	0.17	0.15	0.16	0.15	0.16	0.14	0.13	0.13
				10 <sup>-3</sup> in.lb.s <sup>2</sup>	0.15	0.15	0.13	0.14	0.13	0.14	0.12	0.12	0.12
	B	11	$J_1$	kgcm <sup>2</sup>	0.19	0.18	0.17	0.18	0.16	0.17	0.16	0.15	0.15
				10 <sup>-3</sup> in.lb.s <sup>2</sup>	0.17	0.16	0.15	0.16	0.14	0.15	0.14	0.13	0.13
	C	14	$J_1$	kgcm <sup>2</sup>	0.26	0.26	0.25	0.25	0.24	0.25	0.24	0.23	0.22
				10 <sup>-3</sup> in.lb.s <sup>2</sup>	0.23	0.23	0.22	0.22	0.21	0.22	0.21	0.20	0.19

Please use our sizing software cymex® for a detailed sizing – [www.wittenstein-cymex.com](http://www.wittenstein-cymex.com)

<sup>a)</sup> Valid for torque transmission only

<sup>b)</sup> Valid for standard clamping hub diameter

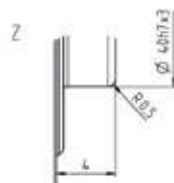
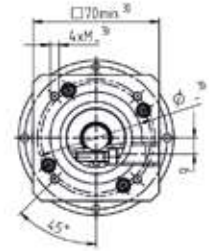
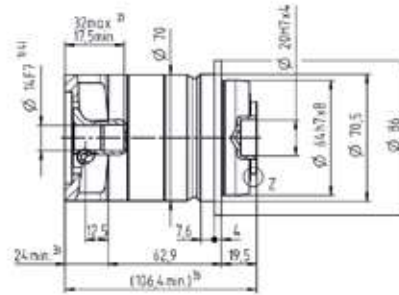
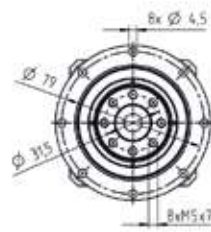
<sup>c)</sup> Refers to center of the output shaft or flange

<sup>d)</sup> Please reduce input speed at higher ambient temperatures

Motor shaft diameter [mm]

# 2-stage

up to 14<sup>4)</sup> (C)  
clamping hub diameter



Non-tolerated dimensions are nominal dimensions

<sup>1)</sup> Check motor shaft fit

<sup>2)</sup> Min. / Max. permissible motor shaft length

Longer motor shafts are possible, please contact alpha

<sup>3)</sup> The dimensions depend on the motor

<sup>4)</sup> Smaller motor shaft diameter is compensated by a bushing with a minimum wall thickness of 1 mm

<sup>5)</sup> Standard clamping hub diameter

# NTP 025 MQ 1-stage

			1-stage					
Ratio	i		4	5	7	10		
Max. torque <sup>a) b)</sup>	$T_{2a}$	Nm	152	160	160	144		
		in.lb	1345	1416	1416	1275		
Max. acceleration torque (max. 1000 cycles per hour)	$T_{2B}$	Nm	95	100	100	90		
		in.lb	841	885	885	797		
Emergency stop torque <sup>a) b)</sup> (permitted 1000 times during the service life of the gearbox)	$T_{2Not}$	Nm	190	190	190	190		
		in.lb	1682	1682	1682	1682		
Permitted average input speed <sup>d)</sup> (at $T_{2N}$ and 20 °C ambient temperature)	$n_{1N}$	rpm	2900	3000	3200	3500		
Max. input speed	$n_{1Max}$	rpm	7000	7000	7000	7000		
Mean no load running torque <sup>b)</sup> (at $n_1=3000$ rpm and 20 °C gearbox temperature)	$T_{012}$	Nm	1.6	1.4	1.1	0.96		
		in.lb	14	12	9.7	8.5		
Max. backlash	$j_t$	arcmin	≤ 6					
Torsional rigidity <sup>b)</sup>	$C_{t21}$	Nm/arcmin	18	18	18	14		
		in.lb/arcmin	159	159	159	124		
Max. axial force <sup>c)</sup>	$F_{2AMax}$	N	2500					
		lb <sub>f</sub>	563					
Max. tilting moment	$M_{2KMMax}$	Nm	220					
		in.lb	1947					
Efficiency at full load	$\eta$	%	97					
Service life	$L_n$	h	> 20000					
Weight (incl. standard adapter plate)	$m$	kg	3.7					
		lb <sub>m</sub>	8.2					
Operating noise (at reference ratio and reference speed – ratio-specific values available in cymex <sup>®</sup> )	$L_{PA}$	dB(A)	≤ 61					
Max. permitted housing temperature		°C	+90					
		°F	+194					
Ambient temperature		°C	-15 to +40					
		°F	+5 to +104					
Lubrication			Lubricated for life					
Direction of rotation			In- and output same direction					
Protection class			IP 65					
Elastomer coupling (recommended product type – validate sizing with cymex <sup>®</sup> )			ELT-00150BAX-050.00					
Bore diameter of coupling on the application side		mm	X = 024.000 - 036.000					
Mass moment of inertia (relates to the drive) Clamping hub diameter [mm]	C	14	$J_1$	kgcm <sup>2</sup>	0.68	0.51	0.4	0.29
				10 <sup>-3</sup> in.lb.s <sup>2</sup>	0.6	0.45	0.35	0.26
	D	16	$J_1$	kgcm <sup>2</sup>	0.82	0.66	0.5	0.4
				10 <sup>-3</sup> in.lb.s <sup>2</sup>	0.73	0.58	0.44	0.35
	E	19	$J_1$	kgcm <sup>2</sup>	0.91	0.74	0.6	0.52
				10 <sup>-3</sup> in.lb.s <sup>2</sup>	0.81	0.65	0.53	0.46
	G	24	$J_1$	kgcm <sup>2</sup>	1.9	1.8	1.6	1.6
				10 <sup>-3</sup> in.lb.s <sup>2</sup>	1.7	1.6	1.4	1.4
	H	28	$J_1$	kgcm <sup>2</sup>	1.7	1.5	1.3	1.3
				10 <sup>-3</sup> in.lb.s <sup>2</sup>	1.5	1.3	1.2	1.2

Please use our sizing software cymex<sup>®</sup> for a detailed sizing – [www.wittenstein-cymex.com](http://www.wittenstein-cymex.com)

<sup>a)</sup> Valid for torque transmission only

<sup>b)</sup> Valid for standard clamping hub diameter

<sup>c)</sup> Refers to center of the output shaft or flange

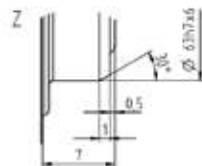
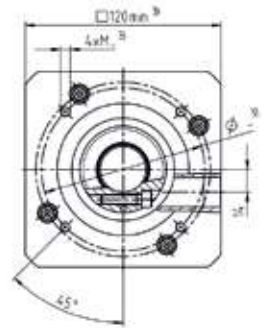
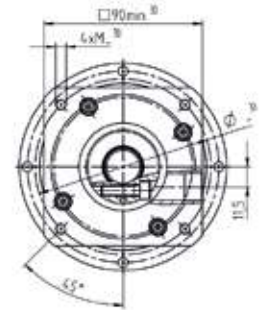
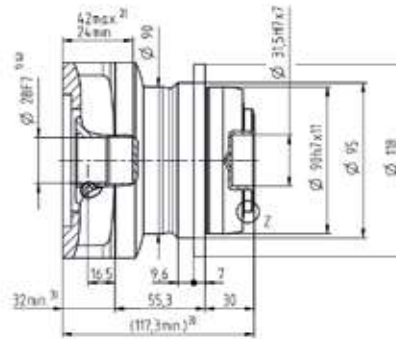
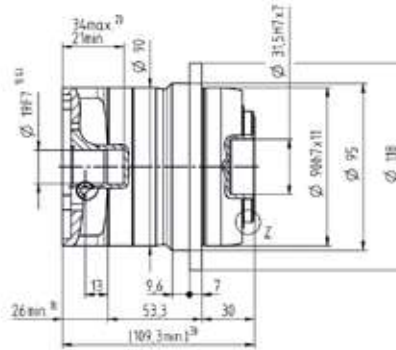
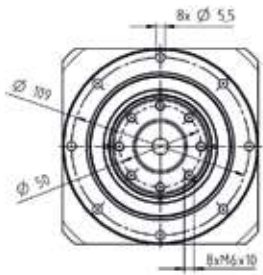
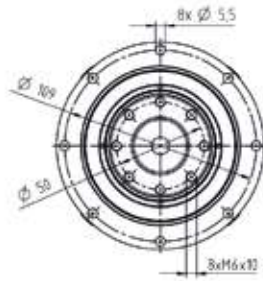
<sup>d)</sup> Please reduce input speed at higher ambient temperatures

# 1-stage

Motor shaft diameter [mm]

up to 19<sup>4)</sup> (E)<sup>5)</sup>  
clamping hub diameter

up to 28<sup>4)</sup> (H)  
clamping hub diameter



Non-tolerated dimensions are nominal dimensions

<sup>1)</sup> Check motor shaft fit

<sup>2)</sup> Min. / Max. permissible motor shaft length

Longer motor shafts are possible, please contact alpha

<sup>3)</sup> The dimensions depend on the motor

<sup>4)</sup> Smaller motor shaft diameter is compensated

by a bushing with a minimum wall thickness of 1 mm

<sup>5)</sup> Standard clamping hub diameter

# NTP 025 MQ 2-stage

			2-stage										
Ratio	i		16	20	25	28	35	40	50	70	100		
Max. torque <sup>a) b)</sup>	$T_{2a}$	Nm	152	152	160	152	160	152	160	160	144		
		in.lb	1345	1345	1416	1345	1416	1345	1416	1416	1275		
Max. acceleration torque (max. 1000 cycles per hour)	$T_{2B}$	Nm	95	95	100	95	100	95	100	100	90		
		in.lb	841	841	885	841	885	841	885	885	797		
Emergency stop torque <sup>a) b)</sup> (permitted 1000 times during the service life of the gearbox)	$T_{2Not}$	Nm	190	190	190	190	190	190	190	190	190		
		in.lb	1682	1682	1682	1682	1682	1682	1682	1682	1682		
Permitted average input speed <sup>d)</sup> (at $T_{2N}$ and 20 °C ambient temperature)	$n_{1N}$	rpm	3500	3700	3700	4000	4000	4300	4300	4300	4300		
Max. input speed	$n_{1Max}$	rpm	8000	8000	8000	8000	8000	8000	8000	8000	8000		
Mean no load running torque <sup>b)</sup> (at $n_1=3000$ rpm and 20 °C gearbox temperature)	$T_{012}$	Nm	0.46	0.4	0.36	0.34	0.31	0.29	0.27	0.25	0.23		
		in.lb	4.1	3.5	3.2	3.0	2.7	2.6	2.4	2.2	2.0		
Max. backlash	$j_t$	arcmin	≤ 7										
Torsional rigidity <sup>b)</sup>	$C_{t21}$	Nm/arcmin	18	18	18	18	18	18	18	18	14		
		in.lb/arcmin	159	159	159	159	159	159	159	159	124		
Max. axial force <sup>c)</sup>	$F_{2AMax}$	N	2500										
		lb <sub>f</sub>	563										
Max. tilting moment	$M_{2KMMax}$	Nm	220										
		in.lb	1947										
Efficiency at full load	$\eta$	%	95										
Service life	$L_n$	h	> 20000										
Weight (incl. standard adapter plate)	m	kg	4										
		lb <sub>m</sub>	8.8										
Operating noise (at reference ratio and reference speed – ratio-specific values available in cymex®)	$L_{PA}$	dB(A)	≤ 58										
Max. permitted housing temperature		°C	+90										
		°F	+194										
Ambient temperature		°C	-15 to +40										
		°F	+5 to +104										
Lubrication			Lubricated for life										
Direction of rotation			In- and output same direction										
Protection class			IP 65										
Elastomer coupling (recommended product type – validate sizing with cymex®)			ELT-00150BAX-050.00										
Bore diameter of coupling on the application side		mm	X = 024.000 - 036.000										
Mass moment of inertia (relates to the drive) Clamping hub diameter [mm]	A	9	$J_1$	kgcm <sup>2</sup>	0.22	0.2	0.2	0.2	0.19	0.19	0.19	0.19	0.19
				10 <sup>-3</sup> in.lb.s <sup>2</sup>	0.19	0.18	0.18	0.18	0.17	0.17	0.17	0.17	0.17
	B	11	$J_1$	kgcm <sup>2</sup>	0.24	0.23	0.22	0.22	0.21	0.21	0.21	0.21	0.21
				10 <sup>-3</sup> in.lb.s <sup>2</sup>	0.21	0.2	0.19	0.19	0.19	0.19	0.19	0.19	0.19
	C	14	$J_1$	kgcm <sup>2</sup>	0.3	0.3	0.3	0.29	0.29	0.29	0.28	0.28	0.28
				10 <sup>-3</sup> in.lb.s <sup>2</sup>	0.27	0.27	0.27	0.26	0.26	0.26	0.25	0.25	0.25
	D	16	$J_1$	kgcm <sup>2</sup>	0.45	0.43	0.43	0.42	0.41	0.41	0.41	0.41	0.41
				10 <sup>-3</sup> in.lb.s <sup>2</sup>	0.4	0.38	0.38	0.37	0.36	0.36	0.36	0.36	0.36
	E	19	$J_1$	kgcm <sup>2</sup>	0.53	0.51	0.5	0.5	0.5	0.5	0.49	0.49	0.49
				10 <sup>-3</sup> in.lb.s <sup>2</sup>	0.47	0.45	0.44	0.44	0.44	0.44	0.43	0.43	0.43

Please use our sizing software cymex® for a detailed sizing – [www.wittenstein-cymex.com](http://www.wittenstein-cymex.com)

<sup>a)</sup> Valid for torque transmission only

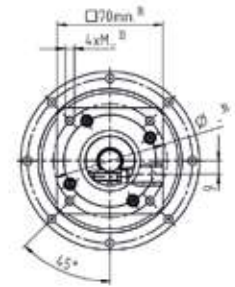
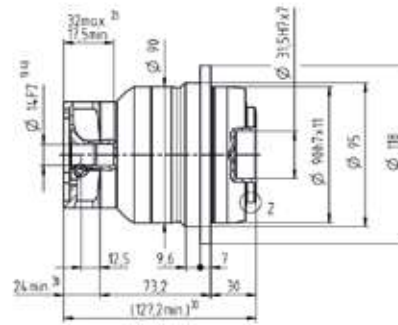
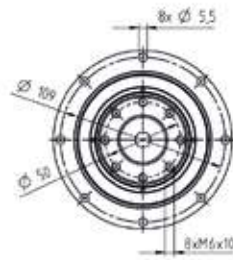
<sup>b)</sup> Valid for standard clamping hub diameter

<sup>c)</sup> Refers to center of the output shaft or flange

<sup>d)</sup> Please reduce input speed at higher ambient temperatures

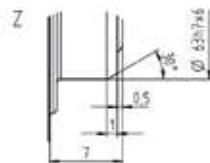
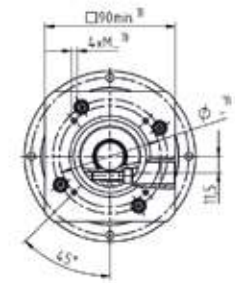
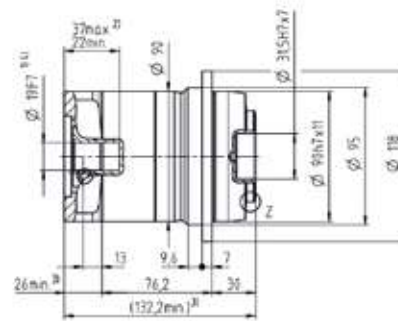
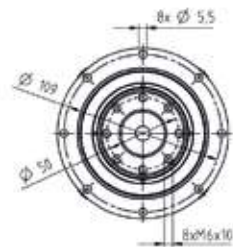
# 2-stage

up to 14<sup>4)</sup> (C)<sup>5)</sup>  
clamping hub  
diameter



Motor shaft diameter [mm]

up to 19<sup>4)</sup> (E)  
clamping hub  
diameter



Non-tolerated dimensions are nominal dimensions

<sup>1)</sup> Check motor shaft fit

<sup>2)</sup> Min. / Max. permissible motor shaft length

Longer motor shafts are possible, please contact alpha

<sup>3)</sup> The dimensions depend on the motor

<sup>4)</sup> Smaller motor shaft diameter is compensated

by a bushing with a minimum wall thickness of 1 mm

<sup>5)</sup> Standard clamping hub diameter

# NTP 035 MQ 1-stage

			1-stage					
Ratio	i		4	5	7	10		
Max. torque <sup>a) b)</sup>	$T_{2a}$	Nm	408	400	400	352		
		in.lb	3611	3540	3540	3115		
Max. acceleration torque (max. 1000 cycles per hour)	$T_{2B}$	Nm	255	250	250	220		
		in.lb	2257	2213	2213	1947		
Emergency stop torque <sup>a) b)</sup> (permitted 1000 times during the service life of the gearbox)	$T_{2Not}$	Nm	500	500	500	500		
		in.lb	4425	4425	4425	4425		
Permitted average input speed <sup>d)</sup> (at $T_{2N}$ and 20 °C ambient temperature)	$n_{1N}$	rpm	2200	2300	2500	2700		
Max. input speed	$n_{1Max}$	rpm	6000	6000	6000	6000		
Mean no load running torque <sup>b)</sup> (at $n_1=3000$ rpm and 20 °C gearbox temperature)	$T_{012}$	Nm	2.8	2.4	1.9	1.6		
		in.lb	25	21	17	14		
Max. backlash	$j_t$	arcmin	≤ 5					
Torsional rigidity <sup>b)</sup>	$C_{t21}$	Nm/arcmin	40	40	40	30		
		in.lb/arcmin	354	354	354	266		
Max. axial force <sup>c)</sup>	$F_{2AMax}$	N	4300					
		lb <sub>f</sub>	968					
Max. tilting moment	$M_{2KMMax}$	Nm	360					
		in.lb	3186					
Efficiency at full load	$\eta$	%	97					
Service life	$L_n$	h	> 20000					
Weight (incl. standard adapter plate)	$m$	kg	7.8					
		lb <sub>m</sub>	17					
Operating noise (at reference ratio and reference speed – ratio-specific values available in cymex®)	$L_{PA}$	dB(A)	≤ 64					
Max. permitted housing temperature		°C	+90					
		°F	+194					
Ambient temperature		°C	-15 to +40					
		°F	+5 to +104					
Lubrication			Lubricated for life					
Direction of rotation			In- and output same direction					
Protection class			IP 65					
Elastomer coupling (recommended product type – validate sizing with cymex®)			ELT-00300BAX-063.00					
Bore diameter of coupling on the application side		mm	X = 035.000 - 045.000					
Mass moment of inertia (relates to the drive) Clamping hub diameter [mm]	E	19	$J_1$	kgcm <sup>2</sup>	2.3	1.7	1.0	0.97
				10 <sup>-3</sup> in.lb.s <sup>2</sup>	2.0	1.5	0.89	0.86
	G	24	$J_1$	kgcm <sup>2</sup>	3.1	2.5	2.0	1.7
				10 <sup>-3</sup> in.lb.s <sup>2</sup>	2.7	2.2	1.8	1.5
	H	28	$J_1$	kgcm <sup>2</sup>	2.8	2.2	1.7	1.5
				10 <sup>-3</sup> in.lb.s <sup>2</sup>	2.5	1.9	1.5	1.3
	I	32	$J_1$	kgcm <sup>2</sup>	6.9	6.3	5.8	5.5
				10 <sup>-3</sup> in.lb.s <sup>2</sup>	6.1	5.6	5.1	4.9
	K	38	$J_1$	kgcm <sup>2</sup>	8.0	7.5	6.9	6.7
				10 <sup>-3</sup> in.lb.s <sup>2</sup>	7.1	6.6	6.1	5.9

Please use our sizing software cymex® for a detailed sizing – [www.wittenstein-cymex.com](http://www.wittenstein-cymex.com)

<sup>a)</sup> Valid for torque transmission only

<sup>b)</sup> Valid for standard clamping hub diameter

<sup>c)</sup> Refers to center of the output shaft or flange

<sup>d)</sup> Please reduce input speed at higher ambient temperatures

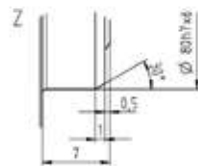
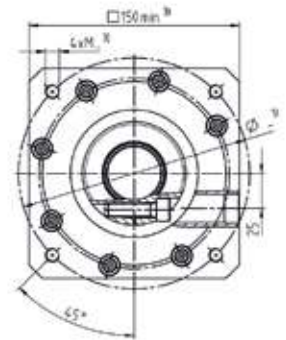
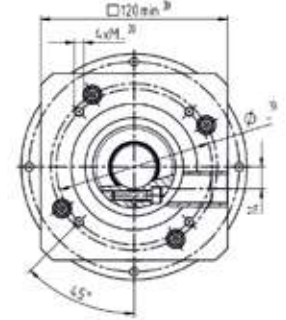
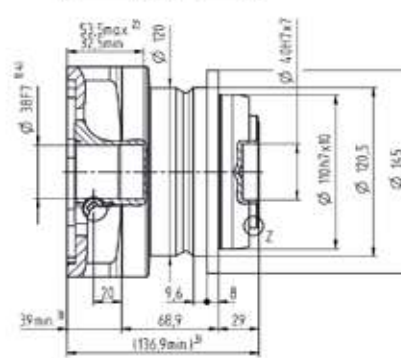
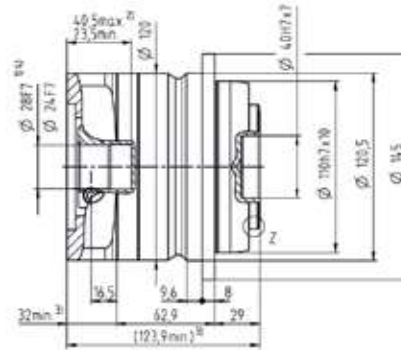
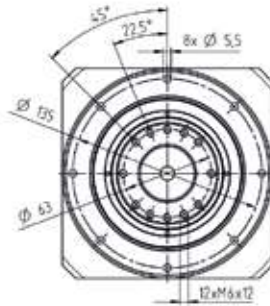
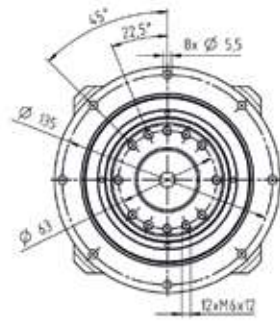


# 1-stage

Motor shaft diameter [mm]

up to 24/28<sup>4)</sup>  
(G<sup>5)</sup>/H)  
clamping hub diameter

up to 38<sup>4)</sup> (K)  
clamping hub diameter



Non-tolerated dimensions are nominal dimensions

<sup>1)</sup> Check motor shaft fit

<sup>2)</sup> Min. / Max. permissible motor shaft length

Longer motor shafts are possible, please contact alpha

<sup>3)</sup> The dimensions depend on the motor

<sup>4)</sup> Smaller motor shaft diameter is compensated

by a bushing with a minimum wall thickness of 1 mm

<sup>5)</sup> Standard clamping hub diameter

# NTP 035 MQ 2-stage

			2-stage										
Ratio	i		16	20	25	28	35	40	50	70	100		
Max. torque <sup>a) b)</sup>	$T_{2a}$	Nm	408	408	400	408	400	408	400	400	352		
		in.lb	3611	3611	3540	3611	3540	3611	3540	3540	3115		
Max. acceleration torque (max. 1000 cycles per hour)	$T_{2B}$	Nm	255	255	250	255	250	255	250	250	220		
		in.lb	2257	2257	2213	2257	2213	2257	2213	2213	1947		
Emergency stop torque <sup>a) b)</sup> (permitted 1000 times during the service life of the gearbox)	$T_{2Not}$	Nm	500	500	500	500	500	500	500	500	500		
		in.lb	4425	4425	4425	4425	4425	4425	4425	4425	4425		
Permitted average input speed <sup>d)</sup> (at $T_{2N}$ and 20 °C ambient temperature)	$n_{1N}$	rpm	3300	3400	3400	3600	3600	3900	3900	3900	3900		
Max. input speed	$n_{1Max}$	rpm	7000	7000	7000	7000	7000	7000	7000	7000	7000		
Mean no load running torque <sup>b)</sup> (at $n_1=3000$ rpm and 20 °C gearbox temperature)	$T_{012}$	Nm	1.2	1.1	1	0.93	0.87	0.81	0.77	0.72	0.68		
		in.lb	11	9.7	8.9	8.2	7.7	7.2	6.8	6.4	6.0		
Max. backlash	$j_t$	arcmin	≤ 6										
Torsional rigidity <sup>b)</sup>	$C_{t21}$	Nm/arcmin	40	40	40	40	40	40	40	40	30		
		in.lb/arcmin	354	354	354	354	354	354	354	354	266		
Max. axial force <sup>c)</sup>	$F_{2AMax}$	N	4300										
		lb <sub>f</sub>	968										
Max. tilting moment	$M_{2KMMax}$	Nm	360										
		in.lb	3186										
Efficiency at full load	$\eta$	%	95										
Service life	$L_n$	h	> 20000										
Weight (incl. standard adapter plate)	m	kg	8.2										
		lb <sub>m</sub>	18										
Operating noise (at reference ratio and reference speed – ratio-specific values available in cymex®)	$L_{PA}$	dB(A)	≤ 60										
Max. permitted housing temperature		°C	+90										
		°F	+194										
Ambient temperature		°C	-15 to +40										
		°F	+5 to +104										
Lubrication			Lubricated for life										
Direction of rotation			In- and output same direction										
Protection class			IP 65										
Elastomer coupling (recommended product type – validate sizing with cymex®)			ELT-00300BAX-063.00										
Bore diameter of coupling on the application side		mm	X = 035.000 - 045.000										
Mass moment of inertia (relates to the drive) Clamping hub diameter [mm]	C	14	$J_1$	kgcm <sup>2</sup>	0.47	0.45	0.37	0.38	0.32	0.37	0.31	0.27	0.24
				10 <sup>-3</sup> in.lb.s <sup>2</sup>	0.42	0.4	0.33	0.34	0.28	0.33	0.27	0.24	0.21
	D	16	$J_1$	kgcm <sup>2</sup>	0.62	0.59	0.5	0.5	0.46	0.52	0.46	0.42	0.39
				10 <sup>-3</sup> in.lb.s <sup>2</sup>	0.55	0.52	0.44	0.44	0.41	0.46	0.41	0.37	0.35
	E	19	$J_1$	kgcm <sup>2</sup>	0.7	0.68	0.61	0.6	0.56	0.6	0.55	0.5	0.48
				10 <sup>-3</sup> in.lb.s <sup>2</sup>	0.62	0.6	0.54	0.53	0.5	0.53	0.49	0.44	0.42
	G	24	$J_1$	kgcm <sup>2</sup>	1.7	1.7	1.6	1.7	1.6	1.6	1.6	1.5	1.5
				10 <sup>-3</sup> in.lb.s <sup>2</sup>	1.5	1.5	1.4	1.5	1.4	1.4	1.4	1.3	1.3
	H	28	$J_1$	kgcm <sup>2</sup>	1.4	1.4	1.3	1.4	1.3	1.3	1.3	1.2	1.2
				10 <sup>-3</sup> in.lb.s <sup>2</sup>	1.2	1.2	1.2	1.2	1.2	1.2	1.2	1.1	1.1

Please use our sizing software cymex® for a detailed sizing – [www.wittenstein-cymex.com](http://www.wittenstein-cymex.com)

<sup>a)</sup> Valid for torque transmission only

<sup>b)</sup> Valid for standard clamping hub diameter

<sup>c)</sup> Refers to center of the output shaft or flange

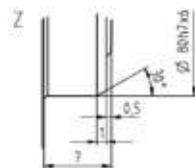
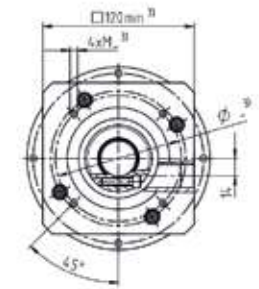
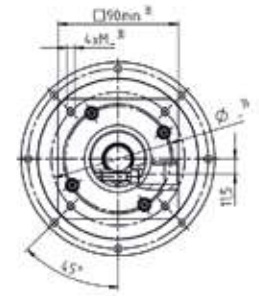
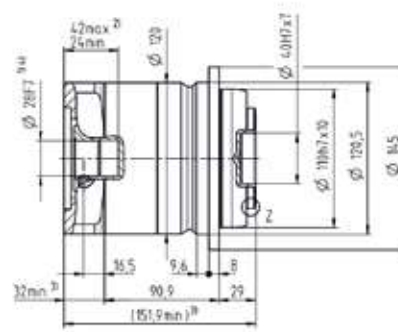
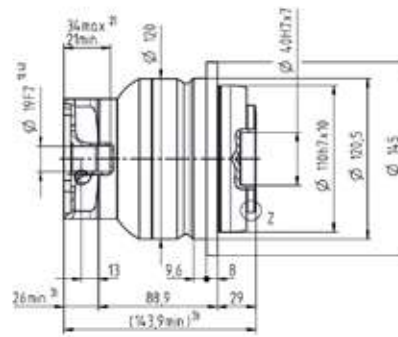
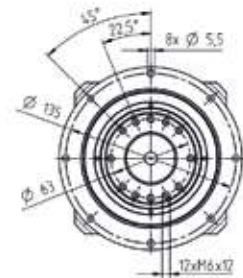
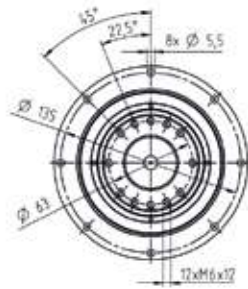
<sup>d)</sup> Please reduce input speed at higher ambient temperatures

# 2-stage

up to 19<sup>4)</sup> (E)<sup>5)</sup>  
clamping hub  
diameter

Motor shaft diameter [mm]

up to 28<sup>4)</sup> (H)  
clamping hub  
diameter



Non-tolerated dimensions are nominal dimensions

<sup>1)</sup> Check motor shaft fit

<sup>2)</sup> Min. / Max. permissible motor shaft length

Longer motor shafts are possible, please contact alpha

<sup>3)</sup> The dimensions depend on the motor

<sup>4)</sup> Smaller motor shaft diameter is compensated

by a bushing with a minimum wall thickness of 1 mm

<sup>5)</sup> Standard clamping hub diameter

# NTP 045 MQ 1-stage

			1-stage					
Ratio	i		4	5	7	10		
Max. torque <sup>a) b)</sup>	$T_{2a}$	Nm	800	800	800	640		
		in.lb	7081	7081	7081	5665		
Max. acceleration torque (max. 1000 cycles per hour)	$T_{2B}$	Nm	500	500	500	400		
		in.lb	4425	4425	4425	3540		
Emergency stop torque <sup>a) b)</sup> (permitted 1000 times during the service life of the gearbox)	$T_{2Not}$	Nm	1000	1000	1000	1000		
		in.lb	8851	8851	8851	8851		
Permitted average input speed <sup>d)</sup> (at $T_{2N}$ and 20 °C ambient temperature)	$n_{1N}$	rpm	1800	1800	1800	2000		
Max. input speed	$n_{1Max}$	rpm	4000	4000	4000	4000		
Mean no load running torque <sup>b)</sup> (at $n_1=3000$ rpm and 20 °C gearbox temperature)	$T_{012}$	Nm	5.5	4.6	3.5	2.6		
		in.lb	49	41	31	23		
Max. backlash	$j_t$	arcmin	≤ 5					
Torsional rigidity <sup>b)</sup>	$C_{t21}$	Nm/arcmin	110	110	110	80		
		in.lb/arcmin	974	974	974	708		
Max. axial force <sup>c)</sup>	$F_{2AMax}$	N	5500					
		lb <sub>f</sub>	1238					
Max. tilting moment	$M_{2KMMax}$	Nm	1070					
		in.lb	9470					
Efficiency at full load	$\eta$	%	97					
Service life	$L_n$	h	> 20000					
Weight (incl. standard adapter plate)	$m$	kg	16					
		lb <sub>m</sub>	35					
Operating noise (at reference ratio and reference speed – ratio-specific values available in cymex®)	$L_{PA}$	dB(A)	≤ 67					
Max. permitted housing temperature		°C	+90					
		°F	+194					
Ambient temperature		°C	-15 to +40					
		°F	+5 to +104					
Lubrication			Lubricated for life					
Direction of rotation			In- and output same direction					
Protection class			IP 65					
Elastomer coupling (recommended product type – validate sizing with cymex®)			ELT-00450BAX-080.00					
Bore diameter of coupling on the application side		mm	X = 042.000 - 060.000					
Mass moment of inertia (relates to the drive) Clamping hub diameter [mm]	K	38	$J_1$	kgcm <sup>2</sup>	11.2	9.8	8.2	7.4
				10 <sup>-3</sup> in.lb.s <sup>2</sup>	9.9	8.7	7.3	6.5

Please use our sizing software cymex® for a detailed sizing – [www.wittenstein-cymex.com](http://www.wittenstein-cymex.com)

<sup>a)</sup> Valid for torque transmission only

<sup>b)</sup> Valid for standard clamping hub diameter

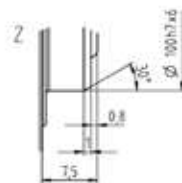
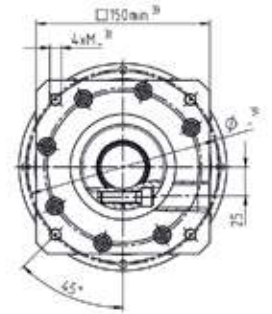
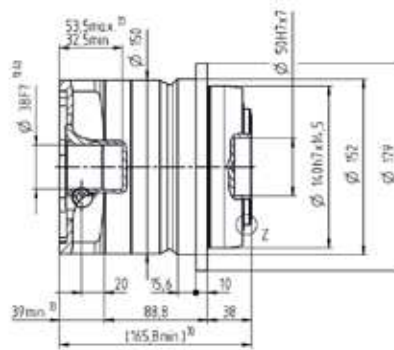
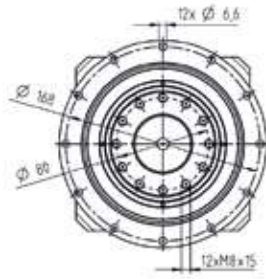
<sup>c)</sup> Refers to center of the output shaft or flange

<sup>d)</sup> Please reduce input speed at higher ambient temperatures

Motor shaft diameter [mm]

# 1-stage

up to 38<sup>4)</sup> (K)  
clamping hub diameter



Non-tolerated dimensions are nominal dimensions

<sup>1)</sup> Check motor shaft fit

<sup>2)</sup> Min. / Max. permissible motor shaft length

Longer motor shafts are possible, please contact alpha

<sup>3)</sup> The dimensions depend on the motor

<sup>4)</sup> Smaller motor shaft diameter is compensated

by a bushing with a minimum wall thickness of 1 mm

<sup>5)</sup> Standard clamping hub diameter

# NTP 045 MQ 2-stage

			2-stage										
Ratio	i		16	20	25	28	35	40	50	70	100		
Max. torque <sup>a) b)</sup>	$T_{2a}$	Nm	700	700	700	700	700	700	700	700	640		
		in.lb	6196	6196	6196	6196	6196	6196	6196	6196	6196	5665	
Max. acceleration torque (max. 1000 cycles per hour)	$T_{2B}$	Nm	500	500	500	500	500	500	500	500	400		
		in.lb	4425	4425	4425	4425	4425	4425	4425	4425	4425	3540	
Emergency stop torque <sup>a) b)</sup> (permitted 1000 times during the service life of the gearbox)	$T_{2Not}$	Nm	1000	1000	1000	1000	1000	1000	1000	1000	1000		
		in.lb	8851	8851	8851	8851	8851	8851	8851	8851	8851		
Permitted average input speed <sup>d)</sup> (at $T_{2N}$ and 20 °C ambient temperature)	$n_{1N}$	rpm	2500	2600	2600	2800	2800	3000	3000	3000	3000		
Max. input speed	$n_{1Max}$	rpm	6000	6000	6000	6000	6000	6000	6000	6000	6000		
Mean no load running torque <sup>b)</sup> (at $n_1=3000$ rpm and 20 °C gearbox temperature)	$T_{012}$	Nm	2.1	1.8	1.6	1.5	1.4	1.3	1.2	1.1	0.97		
		in.lb	19	16	14	13	12	12	11	9.7	8.6		
Max. backlash	$j_t$	arcmin	≤ 6										
Torsional rigidity <sup>b)</sup>	$C_{t21}$	Nm/arcmin	110	110	110	110	110	110	110	110	80		
		in.lb/arcmin	974	974	974	974	974	974	974	974	708		
Max. axial force <sup>c)</sup>	$F_{2AMax}$	N	5500										
		lb <sub>f</sub>	1238										
Max. tilting moment	$M_{2KMmax}$	Nm	1070										
		in.lb	9470										
Efficiency at full load	$\eta$	%	95										
Service life	$L_n$	h	> 20000										
Weight (incl. standard adapter plate)	$m$	kg	17										
		lb <sub>m</sub>	38										
Operating noise (at reference ratio and reference speed – ratio-specific values available in cymex®)	$L_{PA}$	dB(A)	≤ 64										
Max. permitted housing temperature		°C	+90										
		°F	+194										
Ambient temperature		°C	-15 to +40										
		°F	+5 to +104										
Lubrication			Lubricated for life										
Direction of rotation			In- and output same direction										
Protection class			IP 65										
Elastomer coupling (recommended product type – validate sizing with cymex®)			ELT-00450BAX-080.00										
Bore diameter of coupling on the application side		mm	X = 042.000 - 060.000										
Mass moment of inertia (relates to the drive) Clamping hub diameter [mm]	E	19	$J_1$	kgcm <sup>2</sup>	1.6	1.5	1.4	1.3	1.1	1.2	1.0	0.87	0.83
				10 <sup>-3</sup> in.lb.s <sup>2</sup>	1.4	1.3	1.2	1.2	0.97	1.1	0.89	0.77	0.73
	G	24	$J_1$	kgcm <sup>2</sup>	2.4	2.3	2.0	2.0	1.9	2.0	2.1	1.6	1.6
				10 <sup>-3</sup> in.lb.s <sup>2</sup>	2.1	2.0	1.8	1.8	1.7	1.8	1.9	1.4	1.4
	H	28	$J_1$	kgcm <sup>2</sup>	2.1	2.0	1.9	1.8	1.6	1.7	1.8	1.4	1.3
				10 <sup>-3</sup> in.lb.s <sup>2</sup>	1.9	1.8	1.7	1.6	1.4	1.5	1.6	1.2	1.2
	I	32	$J_1$	kgcm <sup>2</sup>	6.2	6.0	6.0	5.9	5.7	5.8	5.9	5.4	5.4
				10 <sup>-3</sup> in.lb.s <sup>2</sup>	5.5	5.3	5.3	5.2	5.0	5.1	5.2	4.8	4.8
	K	38	$J_1$	kgcm <sup>2</sup>	7.4	7.2	7.0	7.0	6.8	6.9	7.0	6.6	6.5
				10 <sup>-3</sup> in.lb.s <sup>2</sup>	6.5	6.4	6.2	6.2	6.0	6.1	6.2	5.8	5.8

Please use our sizing software cymex® for a detailed sizing – [www.wittenstein-cymex.com](http://www.wittenstein-cymex.com)

<sup>a)</sup> Valid for torque transmission only

<sup>b)</sup> Valid for standard clamping hub diameter

<sup>c)</sup> Refers to center of the output shaft or flange

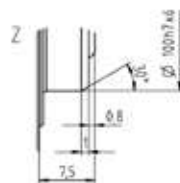
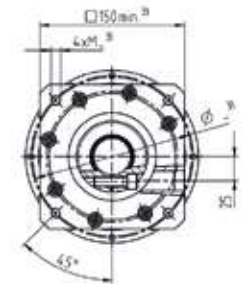
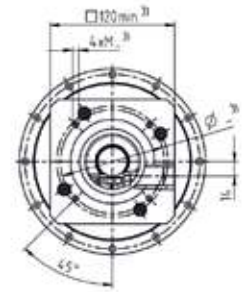
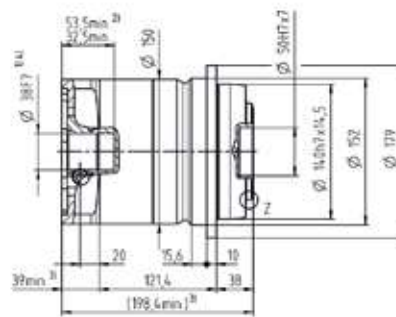
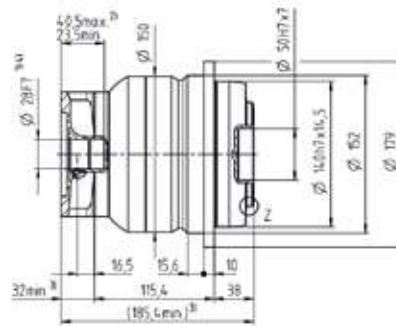
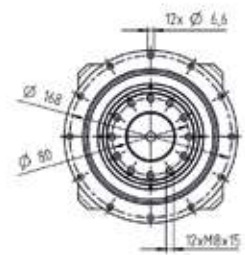
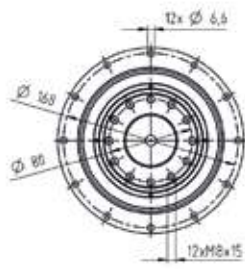
<sup>d)</sup> Please reduce input speed at higher ambient temperatures

# 2-stage

up to 28<sup>4)</sup> (H)<sup>5)</sup>  
clamping hub  
diameter

Motor shaft diameter [mm]

up to 38<sup>4)</sup> (K)  
clamping hub  
diameter



Non-tolerated dimensions are nominal dimensions

<sup>1)</sup> Check motor shaft fit

<sup>2)</sup> Min. / Max. permissible motor shaft length

Longer motor shafts are possible, please contact alpha

<sup>3)</sup> The dimensions depend on the motor

<sup>4)</sup> Smaller motor shaft diameter is compensated

by a bushing with a minimum wall thickness of 1 mm

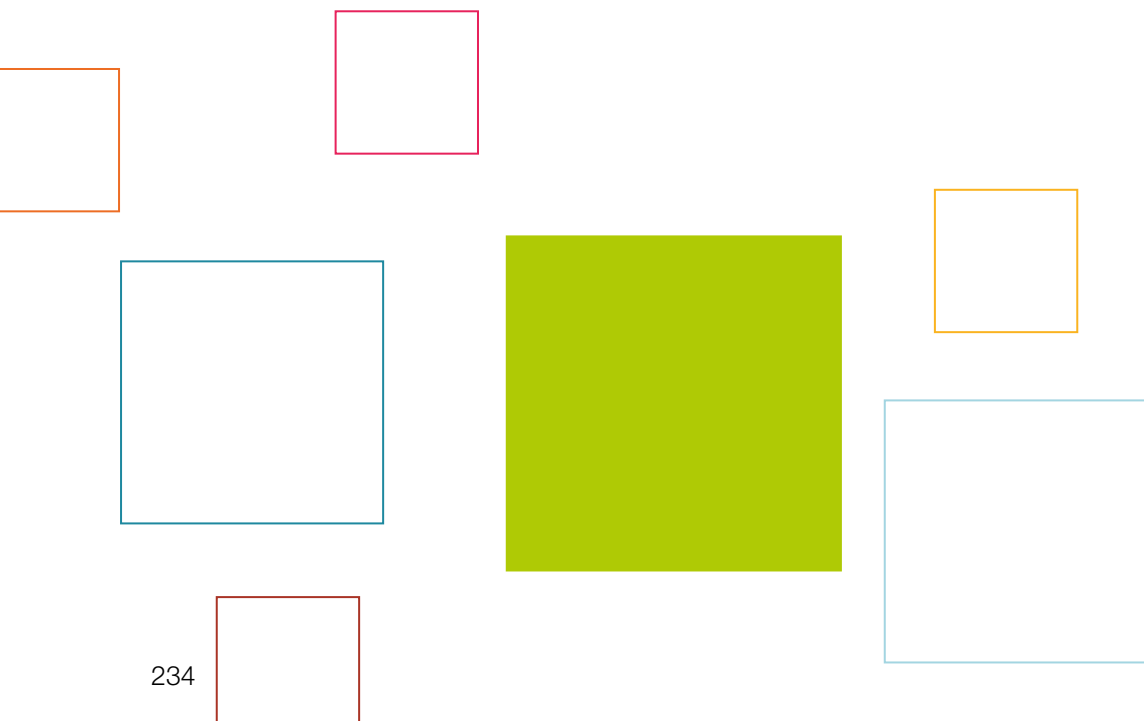
<sup>5)</sup> Standard clamping hub diameter

# alpha Value Line

## BEVEL GEARBOXES

NPK / NPLK / NPSK / NPTK / NPRK

The bevel gears of the alpha Value Line are the fitting solution for situations with limited mounting space. The flexible output shapes and gear ratios in combination with the extremely compact angle section offer comprehensive design freedom.



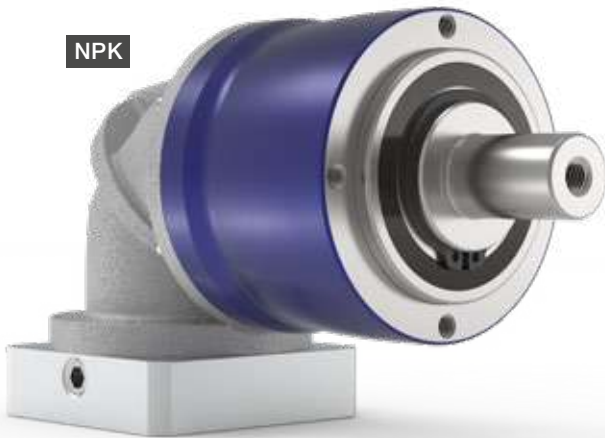




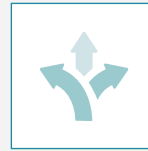
Bevel Gearboxes  
Value Line

# NPK / NPLK / NPSK / NPTK / NPRK

## – Individual Talents



### PRODUCT HIGHLIGHTS



#### High flexibility

Various output versions offer design freedom tailored to individual requirements.



#### High economy

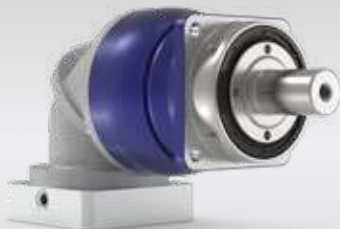
The gearboxes of the alpha Value Line are very economical to purchase, unbeatably efficient in operation, and maintenance free over their entire service life.



#### Fast sizing

Efficient and innovative online sizing within seconds in cymex® select based on technical and economic suitability.

Total flexibility, even in limited space. The bevel gearboxes of the alpha Value Line combine the variety of the NP series with a compact and powerful bevel gear stage. This permits maximum flexibility through the configuration of five different output versions.



NPSK – bevel gearbox with SP+ output geometry

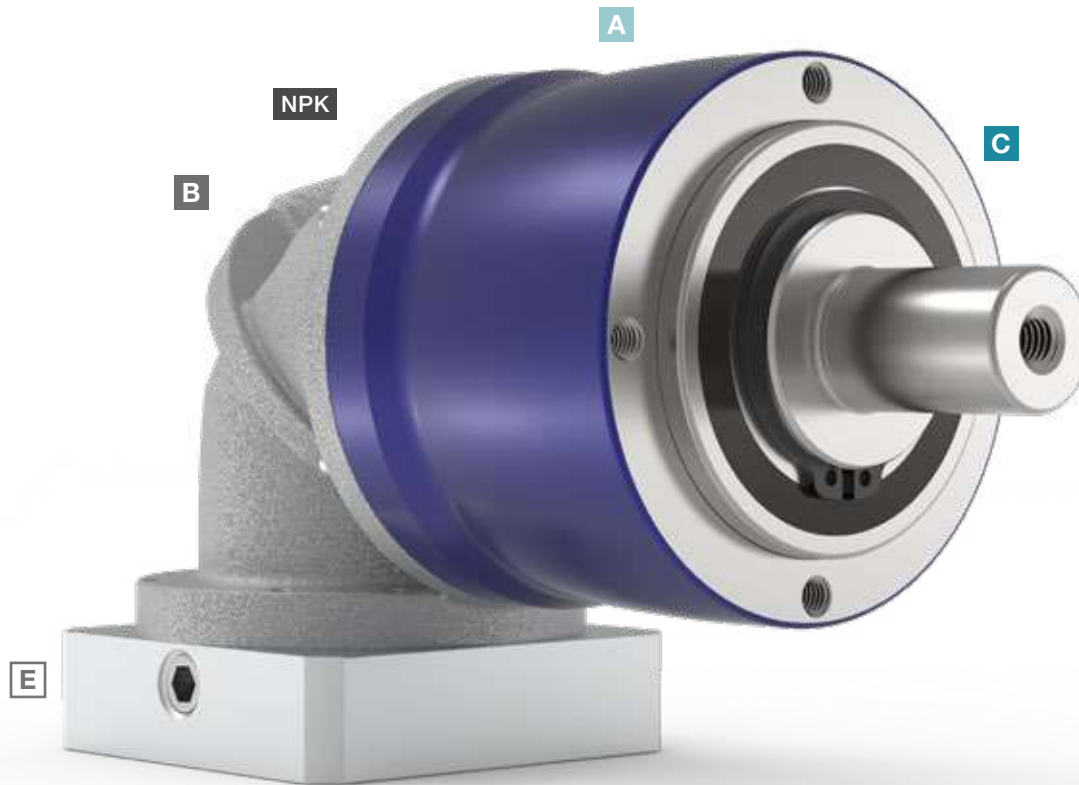


NPLK – bevel gearbox with reinforced bearings and B14 output geometry



More information about the alpha Value Line: simply scan the QR code using your smartphone.

[alpha.wittenstein.de/en-en/alpha-value-line](http://alpha.wittenstein.de/en-en/alpha-value-line)



**A Design**

- The elegant design underlines the dynamics of the gearbox and sets new standards on the market

**B Compactness**

- The extremely compact design of the angle section enables use in very confined installation spaces

**C Various output shapes**

- Five output variants of the NPK series available: including B5 flange mounting, output flange, etc.
- Higher external forces possible with NPLK, NPSK, and NPRK

**D High ratio variation**

- Large number of ratios ( $i=3$  to  $i=100$ )
- Available in the common binary ratios

**E Flexible motor connection**

- Mounting of all common servo motors by means of a flexible and screw-fastened adapter plate
- Large number of motor shaft diameters connectable



NPTK – bevel gearbox with TP+ output geometry



NPRK – bevel gearbox with slot holes for optimal rack and pinion mounting

# NPK 005 MF 2-/3-stage

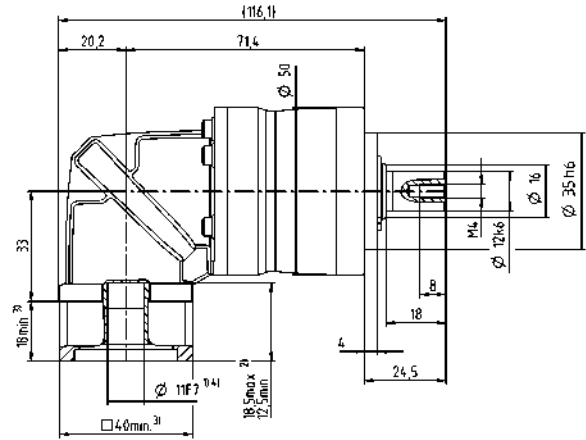
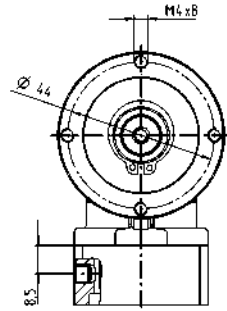
			2-stage					3-stage									
Ratio	i		4	5	7	8	10	16	20	25	28	35	40	50	64	70	100
Max. torque <sup>a) b) e)</sup>	$T_{2a}$	Nm	14	17	22	21	21	18	18	22	18	22	18	22	21	22	21
		in.lb	124	150	195	186	186	159	159	195	159	195	159	195	186	195	186
Max. acceleration torque <sup>e)</sup> (max. 1000 cycles per hour)	$T_{2B}$	Nm	6.8	8.5	12	13	13	11	11	13	11	13	11	13	13	13	13
		in.lb	60	75	106	115	115	97	97	115	97	115	97	115	115	115	115
Emergency stop torque <sup>a) b) e)</sup> (permitted 1000 times during the service life of the gearbox)	$T_{2Not}$	Nm	17	21	26	26	26	26	26	26	26	26	26	26	26	26	26
		in.lb	150	186	230	230	230	230	230	230	230	230	230	230	230	230	230
Permitted average input speed <sup>d)</sup> (at $T_{2N}$ and 20 °C ambient temperature)	$n_{1N}$	rpm	3800	3800	3800	3800	3800	3800	3800	3800	3800	3800	3800	3800	3800	3800	3800
Max. input speed	$n_{1Max}$	rpm	5000	5000	5000	5000	5000	5000	5000	5000	5000	5000	5000	5000	5000	5000	5000
Mean no load running torque <sup>b)</sup> (at $n_1=3000$ rpm and 20 °C gearbox temperature)	$T_{012}$	Nm	0.28	0.28	0.28	0.28	0.28	0.29	0.29	0.29	0.29	0.29	0.29	0.29	0.29	0.29	0.29
		in.lb	2.5	2.5	2.5	2.5	2.5	2.6	2.6	2.6	2.6	2.6	2.6	2.6	2.6	2.6	2.6
Max. backlash	$j_i$	arcmin	≤ 15					≤ 15									
Torsional rigidity <sup>b)</sup>	$C_{t21}$	Nm/arcmin	0.9	0.9	0.9	0.9	0.9	1.2	1.2	1.2	1.2	1.2	1.2	1.2	1.2	1.2	1.2
		in.lb/arcmin	8	8	8	8	8	11	11	11	11	11	11	11	11	11	11
Max. axial force <sup>c)</sup>	$F_{2AMax}$	N	700					700									
		lb <sub>f</sub>	158					158									
Max. lateral force <sup>c)</sup>	$F_{2QMMax}$	N	800					800									
		lb <sub>f</sub>	180					180									
Max. tilting moment	$M_{2KMMax}$	Nm	23					23									
		in.lb	204					204									
Efficiency at full load	$\eta$	%	95					94									
Service life	$L_n$	h	> 20000					> 20000									
Weight (incl. standard adapter plate)	m	kg	1.1					1.3									
		lb <sub>m</sub>	2.4					2.9									
Operating noise (at reference ratio and reference speed – ratio-specific values available in cymex®)	$L_{PA}$	dB(A)	≤ 68					≤ 68									
Max. permitted housing temperature		°C	+90					+90									
		°F	+194					+194									
Ambient temperature		°C	0 to +40					0 to +40									
		°F	+32 to +104					+32 to +104									
Lubrication			Lubricated for life														
Direction of rotation			In- and output same direction														
Protection class			IP 64														
Elastomer coupling (recommended product type – validate sizing with cymex®)			ELC-0005BA012.000-X														
Bore diameter of coupling on the application side		mm	X = 004.000 - 012.700														
Mass moment of inertia (relates to the drive) Clamping hub diameter [mm]	B	11	$J_1$	kgcm <sup>2</sup>	0.1	0.1	0.1	0.1	0.1	0.11	0.11	0.11	0.11	0.11	0.11	0.11	0.11
				10 <sup>-3</sup> in.lb.s <sup>2</sup>	0.09	0.09	0.09	0.09	0.09	0.1	0.1	0.1	0.1	0.1	0.1	0.1	0.1

Please use our sizing software cymex® for a detailed sizing – [www.wittenstein-cymex.com](http://www.wittenstein-cymex.com)  
Please consider the maximal tilting moment caused by the motor  $M_{1KMot}$  – see sizing

- <sup>a)</sup> Valid for torque transmission only
- <sup>b)</sup> Valid for standard clamping hub diameter
- <sup>c)</sup> Refers to center of the output shaft or flange
- <sup>d)</sup> Please reduce input speed at higher ambient temperatures
- <sup>e)</sup> Valid for: Smooth shaft

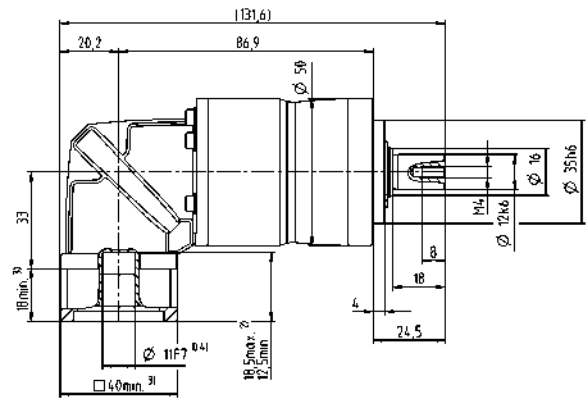
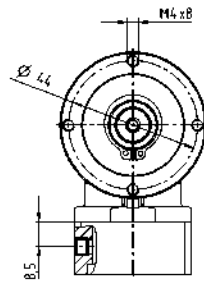
# 2-stage

up to 11<sup>4)</sup> (B)<sup>5)</sup>  
clamping hub  
diameter



# 3-stage

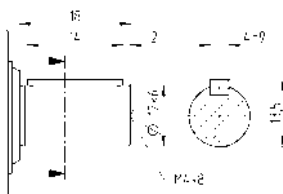
up to 11<sup>4)</sup> (B)<sup>5)</sup>  
clamping hub  
diameter



Motor shaft diameter [mm]

## Other output variants

Shaft with key



Non-tolerated dimensions are nominal dimensions

<sup>1)</sup> Check motor shaft fit

<sup>2)</sup> Min. / Max. permissible motor shaft length

Longer motor shafts are possible, please contact alpha

<sup>3)</sup> The dimensions depend on the motor

<sup>4)</sup> Smaller motor shaft diameter is compensated

by a bushing with a minimum wall thickness of 1 mm

<sup>5)</sup> Standard clamping hub diameter

# NPK 015 MF 2-stage

			2-stage						
Ratio	i		3	4	5	7	8	10	
Max. torque <sup>a) b) e)</sup>	$T_{2a}$	Nm	33	44	55	64	56	56	
		in.lb	292	389	487	566	496	496	
Max. acceleration torque <sup>b)</sup> (max. 1000 cycles per hour)	$T_{2B}$	Nm	16	21	27	37	35	35	
		in.lb	142	186	239	327	310	310	
Emergency stop torque <sup>a) b) e)</sup> (permitted 1000 times during the service life of the gearbox)	$T_{2Not}$	Nm	41	55	69	80	80	80	
		in.lb	363	487	611	708	708	708	
Permitted average input speed <sup>d)</sup> (at $T_{2a}$ and 20 °C ambient temperature)	$n_{1N}$	rpm	3300	3300	3300	3300	3300	3300	
Max. input speed	$n_{1Max}$	rpm	5000	5000	5000	5000	5000	5000	
Mean no load running torque <sup>b)</sup> (at $n_1=3000$ rpm and 20 °C gearbox temperature)	$T_{012}$	Nm	0.54	0.54	0.54	0.54	0.54	0.54	
		in.lb	4.8	4.8	4.8	4.8	4.8	4.8	
Max. backlash	$j_t$	arcmin	≤ 15						
Torsional rigidity <sup>b)</sup>	$C_{t21}$	Nm/arcmin	2.4	2.4	2.4	2.4	2.4	2.4	
		in.lb/arcmin	21	21	21	21	21	21	
Max. axial force <sup>c)</sup>	$F_{2AMax}$	N	1550						
		lb <sub>f</sub>	349						
Max. lateral force <sup>c)</sup>	$F_{2OMax}$	N	1700						
		lb <sub>f</sub>	383						
Max. tilting moment	$M_{2KMMax}$	Nm	72						
		in.lb	637						
Efficiency at full load	$\eta$	%	95						
Service life	$L_h$	h	> 20000						
Weight (incl. standard adapter plate)	m	kg	2.3						
		lb <sub>m</sub>	5.1						
Operating noise (at reference ratio and reference speed – ratio-specific values available in cymex®)	$L_{PA}$	dB(A)	≤ 70						
Max. permitted housing temperature		°C	+90						
		°F	+194						
Ambient temperature		°C	0 to +40						
		°F	+32 to +104						
Lubrication			Lubricated for life						
Direction of rotation			In- and output same direction						
Protection class			IP 64						
Elastomer coupling (recommended product type – validate sizing with cymex®)			ELC-0060BA016.000-X						
Bore diameter of coupling on the application side		mm	X = 012.000 - 032.000						
Mass moment of inertia (relates to the drive) Clamping hub diameter [mm]	C 14	$J_1$	kgcm <sup>2</sup>	0.31	0.31	0.31	0.31	0.31	0.31
			10 <sup>-3</sup> in.lb.s <sup>2</sup>	0.27	0.27	0.27	0.27	0.27	0.27

Please use our sizing software cymex® for a detailed sizing – [www.wittenstein-cymex.com](http://www.wittenstein-cymex.com)  
Please consider the maximal tilting moment caused by the motor  $M_{1KMot}$  – see sizing

<sup>a)</sup> Valid for torque transmission only

<sup>b)</sup> Valid for standard clamping hub diameter

<sup>c)</sup> Refers to center of the output shaft or flange

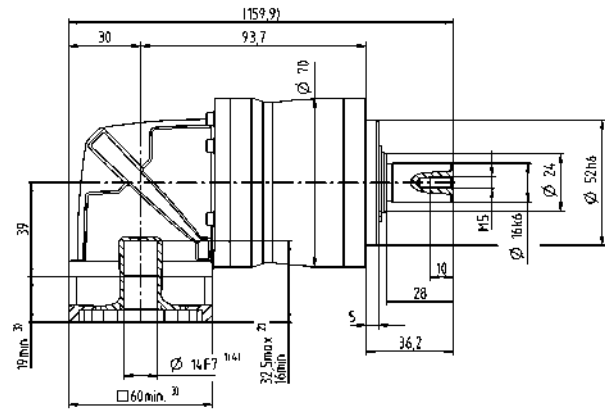
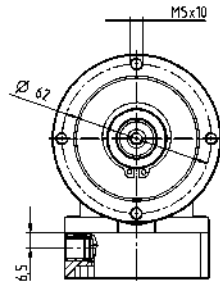
<sup>d)</sup> Please reduce input speed at higher ambient temperatures

<sup>e)</sup> Valid for: Smooth shaft

Motor shaft diameter [mm]

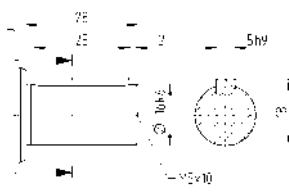
# 2-stage

up to 14<sup>4)</sup> (C)<sup>5)</sup>  
clamping hub diameter



## Other output variants

Shaft with key



Non-tolerated dimensions are nominal dimensions

<sup>1)</sup> Check motor shaft fit

<sup>2)</sup> Min. / Max. permissible motor shaft length

Longer motor shafts are possible, please contact alpha

<sup>3)</sup> The dimensions depend on the motor

<sup>4)</sup> Smaller motor shaft diameter is compensated by a bushing with a minimum wall thickness of 1 mm

<sup>5)</sup> Standard clamping hub diameter

# NPK 015 MF 3-stage

			3-stage														
Ratio	i		12	15	16	20	25	28	30	32	35	40	50	64	70	100	
Max. torque <sup>a) b) e)</sup>	$T_{2a}$	Nm	42	51	56	56	64	56	51	56	64	56	64	56	64	56	
		in.lb	372	451	496	496	566	496	451	496	566	496	566	496	566	496	496
Max. acceleration torque <sup>b)</sup> (max. 1000 cycles per hour)	$T_{2B}$	Nm	20	25	27	34	40	35	31	35	40	35	40	35	40	35	
		in.lb	177	221	239	301	354	310	274	310	354	310	354	310	354	310	
Emergency stop torque <sup>a) b) e)</sup> (permitted 1000 times during the service life of the gearbox)	$T_{2Not}$	Nm	52	65	70	80	80	80	80	80	80	80	80	80	80	80	
		in.lb	460	575	620	708	708	708	708	708	708	708	708	708	708	708	
Permitted average input speed <sup>d)</sup> (at $T_{2a}$ and 20 °C ambient temperature)	$n_{1N}$	rpm	3800	3800	3800	3800	3800	3800	3800	3800	3800	3800	3800	3800	3800	3800	
Max. input speed	$n_{1Max}$	rpm	5000	5000	5000	5000	5000	5000	5000	5000	5000	5000	5000	5000	5000	5000	
Mean no load running torque <sup>b)</sup> (at $n_1=3000$ rpm and 20 °C gearbox temperature)	$T_{012}$	Nm	0.31	0.31	0.31	0.31	0.31	0.31	0.31	0.31	0.31	0.31	0.31	0.31	0.31	0.31	
		in.lb	2.7	2.7	2.7	2.7	2.7	2.7	2.7	2.7	2.7	2.7	2.7	2.7	2.7	2.7	
Max. backlash	$j_t$	arcmin	≤ 12														
Torsional rigidity <sup>b)</sup>	$C_{t21}$	Nm/arcmin	3	3	3	3	3	3	3	3	3	3	3	3	3	3	
		in.lb/arcmin	27	27	27	27	27	27	27	27	27	27	27	27	27	27	
Max. axial force <sup>c)</sup>	$F_{2AMax}$	N	1550														
		lb <sub>f</sub>	349														
Max. lateral force <sup>c)</sup>	$F_{2OMax}$	N	1700														
		lb <sub>f</sub>	383														
Max. tilting moment	$M_{2KMMax}$	Nm	72														
		in.lb	637														
Efficiency at full load	$\eta$	%	94														
Service life	$L_h$	h	> 20000														
Weight (incl. standard adapter plate)	m	kg	2.3														
		lb <sub>m</sub>	5.1														
Operating noise (at reference ratio and reference speed – ratio-specific values available in cymex®)	$L_{PA}$	dB(A)	≤ 68														
Max. permitted housing temperature		°C	+90														
		°F	+194														
Ambient temperature		°C	0 to +40														
		°F	+32 to +104														
Lubrication			Lubricated for life														
Direction of rotation			In- and output same direction														
Protection class			IP 64														
Elastomer coupling (recommended product type – validate sizing with cymex®)			ELC-0060BA016.000-X														
Bore diameter of coupling on the application side		mm	X = 012.000 - 032.000														
Mass moment of inertia (relates to the drive) Clamping hub diameter [mm]	B	11	$J_1$	kgcm <sup>2</sup>	0.13	0.13	0.13	0.13	0.13	0.13	0.13	0.13	0.13	0.13	0.13	0.13	0.13
				10 <sup>-3</sup> in.lb.s <sup>2</sup>	0.12	0.12	0.12	0.12	0.12	0.12	0.12	0.12	0.12	0.12	0.12	0.12	0.12

Please use our sizing software cymex® for a detailed sizing – [www.wittenstein-cymex.com](http://www.wittenstein-cymex.com)  
Please consider the maximal tilting moment caused by the motor  $M_{1KMot}$  – see sizing

<sup>a)</sup> Valid for torque transmission only

<sup>b)</sup> Valid for standard clamping hub diameter

<sup>c)</sup> Refers to center of the output shaft or flange

<sup>d)</sup> Please reduce input speed at higher ambient temperatures

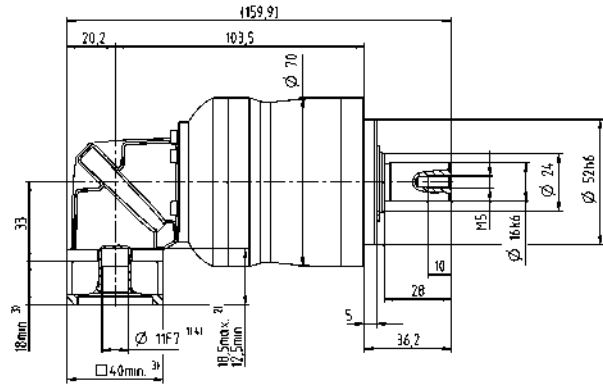
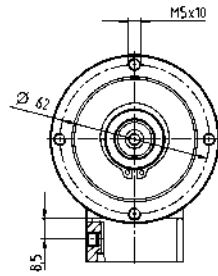
<sup>e)</sup> Valid for: Smooth shaft



Motor shaft diameter [mm]

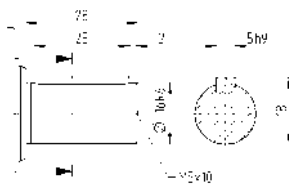
# 3-stage

up to 11<sup>4)</sup> (B)<sup>5)</sup>  
clamping hub diameter



## Other output variants

Shaft with key



Non-tolerated dimensions are nominal dimensions

<sup>1)</sup> Check motor shaft fit

<sup>2)</sup> Min. / Max. permissible motor shaft length

Longer motor shafts are possible, please contact alpha

<sup>3)</sup> The dimensions depend on the motor

<sup>4)</sup> Smaller motor shaft diameter is compensated

by a bushing with a minimum wall thickness of 1 mm

<sup>5)</sup> Standard clamping hub diameter

# NPK 025 MF 2-stage

			2-stage						
Ratio	i		3	4	5	7	8	10	
Max. torque <sup>a) b) e)</sup>	$T_{2a}$	Nm	60	80	100	140	144	144	
		in.lb	531	708	885	1239	1275	1275	
Max. acceleration torque <sup>b)</sup> (max. 1000 cycles per hour)	$T_{2B}$	Nm	35	47	58	82	90	90	
		in.lb	310	416	513	726	797	797	
Emergency stop torque <sup>a) b) e)</sup> (permitted 1000 times during the service life of the gearbox)	$T_{2Not}$	Nm	90	120	150	190	190	190	
		in.lb	797	1062	1328	1682	1682	1682	
Permitted average input speed <sup>d)</sup> (at $T_{2a}$ and 20 °C ambient temperature)	$n_{1N}$	rpm	3000	3000	3000	3000	3000	3000	
Max. input speed	$n_{1Max}$	rpm	5000	5000	5000	5000	5000	5000	
Mean no load running torque <sup>b)</sup> (at $n_1=3000$ rpm and 20 °C gearbox temperature)	$T_{012}$	Nm	0.98	0.98	0.98	0.98	0.98	0.98	
		in.lb	8.7	8.7	8.7	8.7	8.7	8.7	
Max. backlash	$j_t$	arcmin	≤ 15						
Torsional rigidity <sup>b)</sup>	$C_{t21}$	Nm/arcmin	6.2	6.2	6.2	6.2	6.2	6.2	
		in.lb/arcmin	55	55	55	55	55	55	
Max. axial force <sup>c)</sup>	$F_{2AMax}$	N	1900						
		lb <sub>f</sub>	428						
Max. lateral force <sup>c)</sup>	$F_{2OMax}$	N	2800						
		lb <sub>f</sub>	630						
Max. tilting moment	$M_{2KMMax}$	Nm	137						
		in.lb	1213						
Efficiency at full load	$\eta$	%	95						
Service life	$L_h$	h	> 20000						
Weight (incl. standard adapter plate)	$m$	kg	4.9						
		lb <sub>m</sub>	11						
Operating noise (at reference ratio and reference speed – ratio-specific values available in cymex®)	$L_{PA}$	dB(A)	≤ 73						
Max. permitted housing temperature		°C	+90						
		°F	+194						
Ambient temperature		°C	0 to +40						
		°F	+32 to +104						
Lubrication			Lubricated for life						
Direction of rotation			In- and output same direction						
Protection class			IP 64						
Elastomer coupling (recommended product type – validate sizing with cymex®)			ELC-0060BA022.000-X						
Bore diameter of coupling on the application side		mm	X = 012.000 - 032.000						
Mass moment of inertia (relates to the drive) Clamping hub diameter [mm]	E 19	$J_1$	kgcm <sup>2</sup>	1.2	1.2	1.2	1.2	1.2	1.2
			10 <sup>-3</sup> in.lb.s <sup>2</sup>	1.1	1.1	1.1	1.1	1.1	1.1

Please use our sizing software cymex® for a detailed sizing – [www.wittenstein-cymex.com](http://www.wittenstein-cymex.com)  
Please consider the maximal tilting moment caused by the motor  $M_{1KMot}$  – see sizing

<sup>a)</sup> Valid for torque transmission only

<sup>b)</sup> Valid for standard clamping hub diameter

<sup>c)</sup> Refers to center of the output shaft or flange

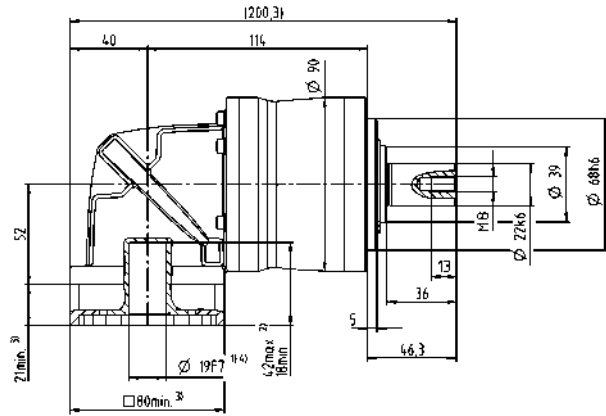
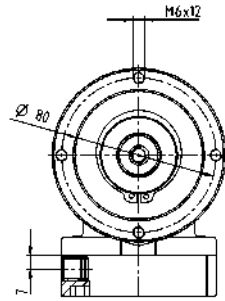
<sup>d)</sup> Please reduce input speed at higher ambient temperatures

<sup>e)</sup> Valid for: Smooth shaft

Motor shaft diameter [mm]

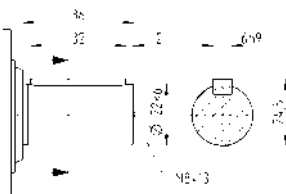
# 2-stage

up to 19<sup>4)</sup> (E)<sup>5)</sup>  
clamping hub diameter



## Other output variants

Shaft with key



Non-tolerated dimensions are nominal dimensions

<sup>1)</sup> Check motor shaft fit

<sup>2)</sup> Min. / Max. permissible motor shaft length

Longer motor shafts are possible, please contact alpha

<sup>3)</sup> The dimensions depend on the motor

<sup>4)</sup> Smaller motor shaft diameter is compensated by a bushing with a minimum wall thickness of 1 mm

<sup>5)</sup> Standard clamping hub diameter

# NPK 025 MF 3-stage

			3-stage														
Ratio	i		9	12	15	16	20	25	28	30	32	35	40	50	64	70	100
Max. torque <sup>a) b) e)</sup>	$T_{2a}$	Nm	99	128	128	152	152	160	152	128	152	160	152	160	144	160	144
		in.lb	876	1133	1133	1345	1345	1416	1345	1133	1345	1416	1345	1416	1275	1416	1275
Max. acceleration torque <sup>b)</sup> (max. 1000 cycles per hour)	$T_{2B}$	Nm	48	65	80	86	95	100	95	80	95	100	95	100	90	100	90
		in.lb	425	575	708	761	841	885	841	708	841	885	841	885	797	885	797
Emergency stop torque <sup>a) b) e)</sup> (permitted 1000 times during the service life of the gearbox)	$T_{2Not}$	Nm	124	166	190	190	190	190	190	190	190	190	190	190	190	190	190
		in.lb	1097	1469	1682	1682	1682	1682	1682	1682	1682	1682	1682	1682	1682	1682	1682
Permitted average input speed <sup>d)</sup> (at $T_{2a}$ and 20 °C ambient temperature)	$n_{1N}$	rpm	3300	3300	3300	3300	3300	3300	3300	3300	3300	3300	3300	3300	3300	3300	
Max. input speed	$n_{1Max}$	rpm	5000	5000	5000	5000	5000	5000	5000	5000	5000	5000	5000	5000	5000	5000	
Mean no load running torque <sup>b)</sup> (at $n_1=3000$ rpm and 20 °C gearbox temperature)	$T_{012}$	Nm	0.52	0.52	0.52	0.52	0.52	0.52	0.52	0.52	0.52	0.52	0.52	0.52	0.52	0.52	
		in.lb	4.6	4.6	4.6	4.6	4.6	4.6	4.6	4.6	4.6	4.6	4.6	4.6	4.6	4.6	
Max. backlash	$j_t$	arcmin	≤ 13														
Torsional rigidity <sup>b)</sup>	$C_{t21}$	Nm/arcmin	8.4	8.4	8.4	8.4	8.4	8.4	8.4	8.4	8.4	8.4	8.4	8.4	8.4	8.4	
		in.lb/arcmin	74	74	74	74	74	74	74	74	74	74	74	74	74	74	
Max. axial force <sup>c)</sup>	$F_{2AMax}$	N	1900														
		lb <sub>f</sub>	428														
Max. lateral force <sup>c)</sup>	$F_{2OMax}$	N	2800														
		lb <sub>f</sub>	630														
Max. tilting moment	$M_{2KMMax}$	Nm	137														
		in.lb	1213														
Efficiency at full load	$\eta$	%	94														
Service life	$L_h$	h	> 20000														
Weight (incl. standard adapter plate)	$m$	kg	4.5														
		lb <sub>m</sub>	9.9														
Operating noise (at reference ratio and reference speed – ratio-specific values available in cymex®)	$L_{PA}$	dB(A)	≤ 70														
Max. permitted housing temperature		°C	+90														
		°F	+194														
Ambient temperature		°C	0 to +40														
		°F	+32 to +104														
Lubrication			Lubricated for life														
Direction of rotation			In- and output same direction														
Protection class			IP 64														
Elastomer coupling (recommended product type – validate sizing with cymex®)			ELC-0060BA022.000-X														
Bore diameter of coupling on the application side		mm	X = 012.000 - 032.000														
Mass moment of inertia (relates to the drive) Clamping hub diameter [mm]	C	14	$J_1$	kgcm <sup>2</sup>	0.45	0.45	0.45	0.45	0.45	0.45	0.45	0.45	0.45	0.45	0.45	0.45	0.45
				10 <sup>-3</sup> in.lb.s <sup>2</sup>	0.4	0.4	0.4	0.4	0.4	0.4	0.4	0.4	0.4	0.4	0.4	0.4	0.4

Please use our sizing software cymex® for a detailed sizing – [www.wittenstein-cymex.com](http://www.wittenstein-cymex.com)  
Please consider the maximal tilting moment caused by the motor  $M_{1KMot}$  – see sizing

<sup>a)</sup> Valid for torque transmission only

<sup>b)</sup> Valid for standard clamping hub diameter

<sup>c)</sup> Refers to center of the output shaft or flange

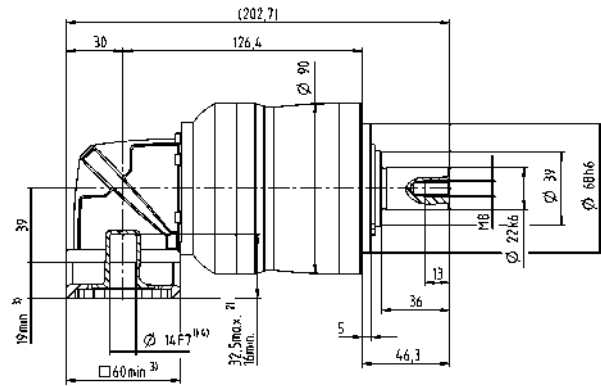
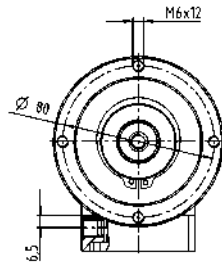
<sup>d)</sup> Please reduce input speed at higher ambient temperatures

<sup>e)</sup> Valid for: Smooth shaft

Motor shaft diameter [mm]

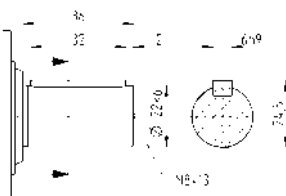
# 3-stage

up to 14<sup>4)</sup> (C)<sup>5)</sup>  
clamping hub diameter



## Other output variants

Shaft with key



Non-tolerated dimensions are nominal dimensions

<sup>1)</sup> Check motor shaft fit

<sup>2)</sup> Min. / Max. permissible motor shaft length

Longer motor shafts are possible, please contact alpha

<sup>3)</sup> The dimensions depend on the motor

<sup>4)</sup> Smaller motor shaft diameter is compensated

by a bushing with a minimum wall thickness of 1 mm

<sup>5)</sup> Standard clamping hub diameter

# NPK 035 MF 2-stage

			2-stage						
Ratio	i		3	4	5	7	8	10	
Max. torque <sup>a) b) e)</sup>	$T_{2a}$	Nm	150	200	250	350	352	352	
		in.lb	1328	1770	2213	3098	3115	3115	
Max. acceleration torque <sup>b)</sup> (max. 1000 cycles per hour)	$T_{2B}$	Nm	93	124	155	217	220	220	
		in.lb	823	1097	1372	1921	1947	1947	
Emergency stop torque <sup>a) b) e)</sup> (permitted 1000 times during the service life of the gearbox)	$T_{2Not}$	Nm	238	318	397	500	500	500	
		in.lb	2106	2815	3514	4425	4425	4425	
Permitted average input speed <sup>d)</sup> (at $T_{2a}$ and 20 °C ambient temperature)	$n_{1N}$	rpm	2000	2000	2000	2000	2000	2000	
Max. input speed	$n_{1Max}$	rpm	4500	4500	4500	4500	4500	4500	
Mean no load running torque <sup>b)</sup> (at $n_1=3000$ rpm and 20 °C gearbox temperature)	$T_{012}$	Nm	3.5	3.5	3.5	3.5	3.5	3.5	
		in.lb	31	31	31	31	31	31	
Max. backlash	$j_t$	arcmin	≤ 13						
Torsional rigidity <sup>b)</sup>	$C_{t21}$	Nm/arcmin	16	16	16	16	16	16	
		in.lb/arcmin	142	142	142	142	142	142	
Max. axial force <sup>c)</sup>	$F_{2AMax}$	N	4000						
		lb <sub>f</sub>	900						
Max. lateral force <sup>c)</sup>	$F_{2OMax}$	N	5000						
		lb <sub>f</sub>	1125						
Max. tilting moment	$M_{2KMMax}$	Nm	345						
		in.lb	3054						
Efficiency at full load	$\eta$	%	95						
Service life	$L_h$	h	> 20000						
Weight (incl. standard adapter plate)	m	kg	11						
		lb <sub>m</sub>	24						
Operating noise (at reference ratio and reference speed – ratio-specific values available in cymex®)	$L_{PA}$	dB(A)	≤ 74						
Max. permitted housing temperature		°C	+90						
		°F	+194						
Ambient temperature		°C	0 to +40						
		°F	+32 to +104						
Lubrication			Lubricated for life						
Direction of rotation			In- and output same direction						
Protection class			IP 64						
Elastomer coupling (recommended product type – validate sizing with cymex®)			ELC-0150BA032.000-X						
Bore diameter of coupling on the application side		mm	X = 019.000 - 036.000						
Mass moment of inertia (relates to the drive) Clamping hub diameter [mm]	H 28	$J_1$	kgcm <sup>2</sup>	5.3	5.3	5.3	5.3	5.3	5.3
			10 <sup>-3</sup> in.lb.s <sup>2</sup>	4.7	4.7	4.7	4.7	4.7	4.7

Please use our sizing software cymex® for a detailed sizing – [www.wittenstein-cymex.com](http://www.wittenstein-cymex.com)  
Please consider the maximal tilting moment caused by the motor  $M_{1KMot}$  – see sizing

<sup>a)</sup> Valid for torque transmission only

<sup>b)</sup> Valid for standard clamping hub diameter

<sup>c)</sup> Refers to center of the output shaft or flange

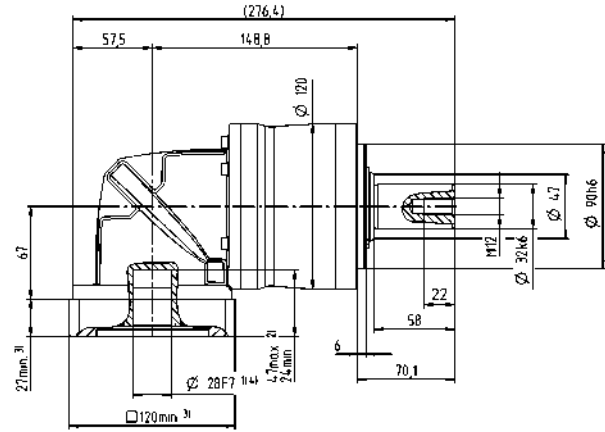
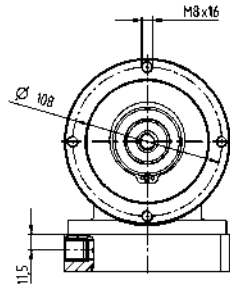
<sup>d)</sup> Please reduce input speed at higher ambient temperatures

<sup>e)</sup> Valid for: Smooth shaft

Motor shaft diameter [mm]

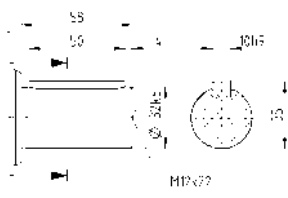
# 2-stage

up to 28<sup>4)</sup> (H)<sup>5)</sup>  
clamping hub diameter



## Other output variants

Shaft with key



Non-tolerated dimensions are nominal dimensions

<sup>1)</sup> Check motor shaft fit

<sup>2)</sup> Min. / Max. permissible motor shaft length

Longer motor shafts are possible, please contact alpha

<sup>3)</sup> The dimensions depend on the motor

<sup>4)</sup> Smaller motor shaft diameter is compensated

by a bushing with a minimum wall thickness of 1 mm

<sup>5)</sup> Standard clamping hub diameter

# NPK 035 MF 3-stage

			3-stage														
Ratio	i		9	12	15	16	20	25	28	30	32	35	40	50	64	70	100
Max. torque <sup>a) b) e)</sup>	$T_{2a}$	Nm	180	240	300	320	400	400	408	320	408	400	408	400	352	400	352
		in.lb	1593	2124	2655	2832	3540	3540	3611	2832	3611	3540	3611	3540	3115	3540	3115
Max. acceleration torque <sup>b)</sup> (max. 1000 cycles per hour)	$T_{2B}$	Nm	105	141	176	188	235	250	255	200	255	250	255	250	220	250	220
		in.lb	929	1248	1558	1664	2080	2213	2257	1770	2257	2213	2257	2213	1947	2213	1947
Emergency stop torque <sup>a) b) e)</sup> (permitted 1000 times during the service life of the gearbox)	$T_{2Not}$	Nm	270	361	451	481	500	500	500	500	500	500	500	500	500	500	500
		in.lb	2390	3195	3992	4257	4425	4425	4425	4425	4425	4425	4425	4425	4425	4425	4425
Permitted average input speed <sup>d)</sup> (at $T_{2a}$ and 20 °C ambient temperature)	$n_{1N}$	rpm	3000	3000	3000	3000	3000	3000	3000	3000	3000	3000	3000	3000	3000	3000	3000
Max. input speed	$n_{1Max}$	rpm	5000	5000	5000	5000	5000	5000	5000	5000	5000	5000	5000	5000	5000	5000	5000
Mean no load running torque <sup>b)</sup> (at $n_1=3000$ rpm and 20 °C gearbox temperature)	$T_{012}$	Nm	1	1	1	1	1	1	1	1	1	1	1	1	1	1	1
		in.lb	8.9	8.9	8.9	8.9	8.9	8.9	8.9	8.9	8.9	8.9	8.9	8.9	8.9	8.9	8.9
Max. backlash	$j_t$	arcmin	≤ 13														
Torsional rigidity <sup>b)</sup>	$C_{121}$	Nm/arcmin	19	19	19	19	19	19	19	19	19	19	19	19	19	19	19
		in.lb/arcmin	168	168	168	168	168	168	168	168	168	168	168	168	168	168	168
Max. axial force <sup>c)</sup>	$F_{2AMax}$	N	4000														
		lb <sub>f</sub>	900														
Max. lateral force <sup>c)</sup>	$F_{2OMax}$	N	5000														
		lb <sub>f</sub>	1125														
Max. tilting moment	$M_{2KMax}$	Nm	345														
		in.lb	3054														
Efficiency at full load	$\eta$	%	94														
Service life	$L_h$	h	> 20000														
Weight (incl. standard adapter plate)	m	kg	11														
		lb <sub>m</sub>	24														
Operating noise (at reference ratio and reference speed – ratio-specific values available in cymex®)	$L_{PA}$	dB(A)	≤ 73														
Max. permitted housing temperature		°C	+90														
		°F	+194														
Ambient temperature		°C	0 to +40														
		°F	+32 to +104														
Lubrication			Lubricated for life														
Direction of rotation			In- and output same direction														
Protection class			IP 64														
Elastomer coupling (recommended product type – validate sizing with cymex®)			ELC-0150BA032.000-X														
Bore diameter of coupling on the application side		mm	X = 019.000 - 036.000														
Mass moment of inertia (relates to the drive) Clamping hub diameter [mm]	E	19	$J_1$	kgcm <sup>2</sup>	1.7	1.7	1.7	1.7	1.7	1.7	1.7	1.7	1.7	1.7	1.7	1.7	1.7
				10 <sup>-3</sup> in.lb.s <sup>2</sup>	1.5	1.5	1.5	1.5	1.5	1.5	1.5	1.5	1.5	1.5	1.5	1.5	1.5

Please use our sizing software cymex® for a detailed sizing – [www.wittenstein-cymex.com](http://www.wittenstein-cymex.com)  
Please consider the maximal tilting moment caused by the motor  $M_{1KMot}$  – see sizing

<sup>a)</sup> Valid for torque transmission only

<sup>b)</sup> Valid for standard clamping hub diameter

<sup>c)</sup> Refers to center of the output shaft or flange

<sup>d)</sup> Please reduce input speed at higher ambient temperatures

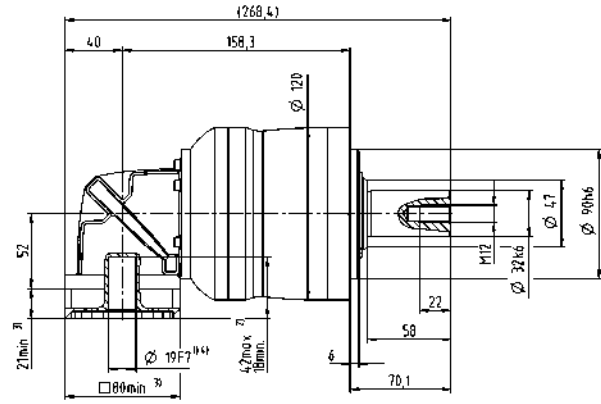
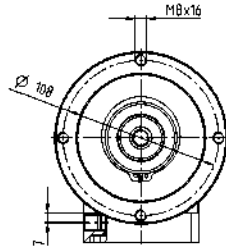
<sup>e)</sup> Valid for: Smooth shaft



Motor shaft diameter [mm]

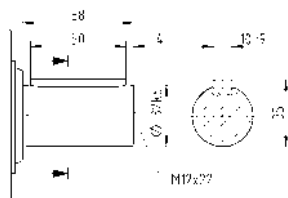
# 3-stage

up to 19<sup>4)</sup> (E)<sup>5)</sup>  
clamping hub diameter



## Other output variants

Shaft with key



Non-tolerated dimensions are nominal dimensions

<sup>1)</sup> Check motor shaft fit

<sup>2)</sup> Min. / Max. permissible motor shaft length

Longer motor shafts are possible, please contact alpha

<sup>3)</sup> The dimensions depend on the motor

<sup>4)</sup> Smaller motor shaft diameter is compensated by a bushing with a minimum wall thickness of 1 mm

<sup>5)</sup> Standard clamping hub diameter

# NPK 045 MF 3-stage

			3-stage					
Ratio	i		25	32	50	64	100	
Max. torque <sup>a) b) e)</sup>	$T_{2a}$	Nm	700	640	700	640	640	
		in.lb	6196	5665	6196	5665	5665	
Max. acceleration torque <sup>e)</sup> (max. 1000 cycles per hour)	$T_{2B}$	Nm	500	400	500	400	400	
		in.lb	4425	3540	4425	3540	3540	
Emergency stop torque <sup>a) b) e)</sup> (permitted 1000 times during the service life of the gearbox)	$T_{2Not}$	Nm	1000	1000	1000	1000	1000	
		in.lb	8851	8851	8851	8851	8851	
Permitted average input speed <sup>d)</sup> (at $T_{2N}$ and 20 °C ambient temperature)	$n_{1N}$	rpm	2000	2000	2000	2000	2000	
Max. input speed	$n_{1Max}$	rpm	4500	4500	4500	4500	4500	
Mean no load running torque <sup>b)</sup> (at $n_1=3000$ rpm and 20 °C gearbox temperature)	$T_{012}$	Nm	3.6	3.6	3.6	3.6	3.6	
		in.lb	32	32	32	32	32	
Max. backlash	$j_i$	arcmin	≤ 11					
Torsional rigidity <sup>b)</sup>	$C_{i21}$	Nm/arcmin	54	54	54	54	54	
		in.lb/arcmin	478	478	478	478	478	
Max. axial force <sup>c)</sup>	$F_{2AMax}$	N	6000					
		lb <sub>f</sub>	1350					
Max. lateral force <sup>c)</sup>	$F_{2QMMax}$	N	8000					
		lb <sub>f</sub>	1800					
Max. tilting moment	$M_{2KMMax}$	Nm	704					
		in.lb	6231					
Efficiency at full load	$\eta$	%	94					
Service life	$L_n$	h	> 20000					
Weight (incl. standard adapter plate)	$m$	kg	21					
		lb <sub>m</sub>	46					
Operating noise (at reference ratio and reference speed – ratio-specific values available in cymex®)	$L_{PA}$	dB(A)	≤ 74					
Max. permitted housing temperature		°C	+90					
		°F	+194					
Ambient temperature		°C	0 to +40					
		°F	+32 to +104					
Lubrication			Lubricated for life					
Direction of rotation			In- and output same direction					
Protection class			IP 64					
Elastomer coupling (recommended product type – validate sizing with cymex®)			ELC-0300BA040.000-X					
Bore diameter of coupling on the application side		mm	X = 020.000 - 045.000					
Mass moment of inertia (relates to the drive) Clamping hub diameter [mm]	H 28	$J_1$	kgcm <sup>2</sup>	6.8	6.8	6.8	6.8	6.8
			10 <sup>-3</sup> in.lb.s <sup>2</sup>	6	6	6	6	6

Please use our sizing software cymex® for a detailed sizing – [www.wittenstein-cymex.com](http://www.wittenstein-cymex.com)  
Please consider the maximal tilting moment caused by the motor  $M_{1KMot}$  – see sizing

<sup>a)</sup> Valid for torque transmission only

<sup>b)</sup> Valid for standard clamping hub diameter

<sup>c)</sup> Refers to center of the output shaft or flange

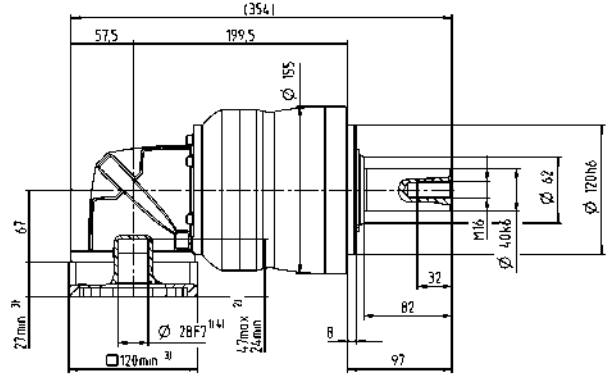
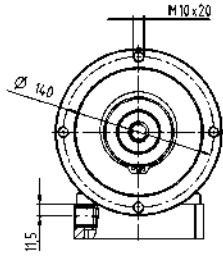
<sup>d)</sup> Please reduce input speed at higher ambient temperatures

<sup>e)</sup> Valid for: Smooth shaft

Motor shaft diameter [mm]

# 3-stage

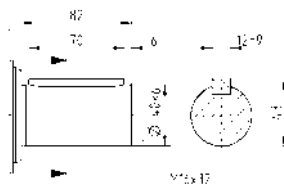
up to 28<sup>4)</sup> (H)<sup>5)</sup>  
clamping hub diameter



Bevel Gearboxes  
Value Line

## Other output variants

Shaft with key



Non-tolerated dimensions are nominal dimensions

<sup>1)</sup> Check motor shaft fit

<sup>2)</sup> Min. / Max. permissible motor shaft length

Longer motor shafts are possible, please contact alpha

<sup>3)</sup> The dimensions depend on the motor

<sup>4)</sup> Smaller motor shaft diameter is compensated by a bushing with a minimum wall thickness of 1 mm

<sup>5)</sup> Standard clamping hub diameter

# NPLK 015 MF 2-stage

			2-stage							
Ratio	i		3	4	5	7	8	10		
Max. torque <sup>a) b) e)</sup>	$T_{2a}$	Nm	33	44	55	64	56	56		
		in.lb	292	389	487	566	496	496		
Max. acceleration torque <sup>b)</sup> (max. 1000 cycles per hour)	$T_{2B}$	Nm	16	21	27	37	35	35		
		in.lb	142	186	239	327	310	310		
Emergency stop torque <sup>a) b) e)</sup> (permitted 1000 times during the service life of the gearbox)	$T_{2Not}$	Nm	41	55	69	80	80	80		
		in.lb	363	487	611	708	708	708		
Permitted average input speed <sup>d)</sup> (at $T_{2a}$ and 20 °C ambient temperature)	$n_{1N}$	rpm	2900	3100	3300	3300	3300	3300		
Max. input speed	$n_{1Max}$	rpm	5000	5000	5000	5000	5000	5000		
Mean no load running torque <sup>b)</sup> (at $n_1=3000$ rpm and 20 °C gearbox temperature)	$T_{012}$	Nm	1.2	1.2	1.2	1.2	1.2	1.2		
		in.lb	11	11	11	11	11	11		
Max. backlash	$j_t$	arcmin	≤ 15							
Torsional rigidity <sup>b)</sup>	$C_{t21}$	Nm/arcmin	2.4	2.4	2.4	2.4	2.4	2.4		
		in.lb/arcmin	21	21	21	21	21	21		
Max. axial force <sup>c)</sup>	$F_{2AMax}$	N	2400							
		lb <sub>f</sub>	540							
Max. lateral force <sup>c)</sup>	$F_{2OMax}$	N	2800							
		lb <sub>f</sub>	630							
Max. tilting moment	$M_{2KMMax}$	Nm	152							
		in.lb	1345							
Efficiency at full load	$\eta$	%	95							
Service life	$L_h$	h	> 20000							
Weight (incl. standard adapter plate)	m	kg	2.3							
		lb <sub>m</sub>	5.1							
Operating noise (at reference ratio and reference speed – ratio-specific values available in cymex®)	$L_{PA}$	dB(A)	≤ 70							
Max. permitted housing temperature		°C	+90							
		°F	+194							
Ambient temperature		°C	0 to +40							
		°F	+32 to +104							
Lubrication			Lubricated for life							
Direction of rotation			In- and output same direction							
Protection class			IP 64							
Elastomer coupling (recommended product type – validate sizing with cymex®)			ELC-0060BA016.000-X							
Bore diameter of coupling on the application side		mm	X = 012.000 - 032.000							
Mass moment of inertia (relates to the drive) Clamping hub diameter [mm]	C	14	$J_1$	kgcm <sup>2</sup>	0.32	0.32	0.32	0.32	0.32	0.32
				10 <sup>-3</sup> in.lb.s <sup>2</sup>	0.28	0.28	0.28	0.28	0.28	0.28

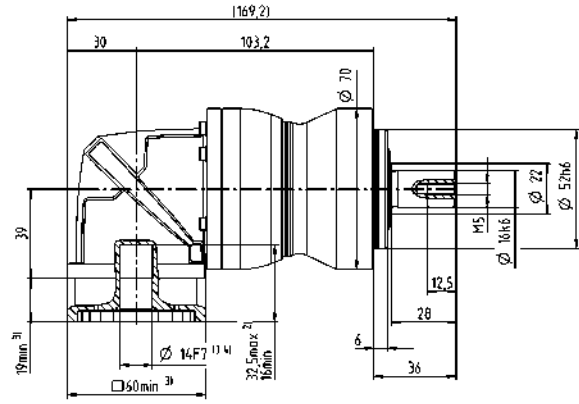
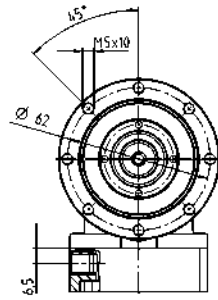
Please use our sizing software cymex® for a detailed sizing – [www.wittenstein-cymex.com](http://www.wittenstein-cymex.com)  
Please consider the maximal tilting moment caused by the motor  $M_{1KMot}$  – see sizing

- <sup>a)</sup> Valid for torque transmission only
- <sup>b)</sup> Valid for standard clamping hub diameter
- <sup>c)</sup> Refers to center of the output shaft or flange
- <sup>d)</sup> Please reduce input speed at higher ambient temperatures
- <sup>e)</sup> Valid for: Smooth shaft

Motor shaft diameter [mm]

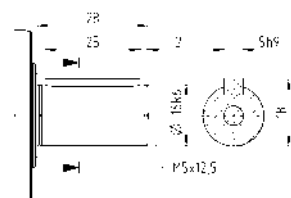
# 2-stage

up to 14<sup>4)</sup> (C)<sup>5)</sup>  
clamping hub diameter

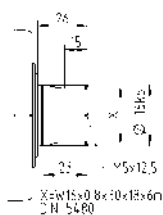


## Other output variants

Shaft with key



Splined shaft (DIN 5480)



Non-tolerated dimensions are nominal dimensions

<sup>1)</sup> Check motor shaft fit

<sup>2)</sup> Min. / Max. permissible motor shaft length

Longer motor shafts are possible, please contact alpha

<sup>3)</sup> The dimensions depend on the motor

<sup>4)</sup> Smaller motor shaft diameter is compensated by a bushing with a minimum wall thickness of 1 mm

<sup>5)</sup> Standard clamping hub diameter

# NPLK 015 MF 3-stage

			3-stage													
Ratio	i		12	15	16	20	25	28	30	32	35	40	50	64	70	100
Max. torque <sup>a) b) e)</sup>	$T_{2a}$	Nm	42	51	56	56	64	56	51	56	64	56	64	56	64	56
		in.lb	372	451	496	496	566	496	451	496	566	496	566	496	566	496
Max. acceleration torque <sup>b)</sup> (max. 1000 cycles per hour)	$T_{2B}$	Nm	20	25	27	34	40	35	31	35	40	35	40	35	40	35
		in.lb	177	221	239	301	354	310	274	310	354	310	354	310	354	310
Emergency stop torque <sup>a) b) e)</sup> (permitted 1000 times during the service life of the gearbox)	$T_{2Not}$	Nm	52	65	70	80	80	80	80	80	80	80	80	80	80	80
		in.lb	460	575	620	708	708	708	708	708	708	708	708	708	708	708
Permitted average input speed <sup>d)</sup> (at $T_{2a}$ and 20 °C ambient temperature)	$n_{1N}$	rpm	3800	3800	3800	3800	3800	3800	3800	3800	3800	3800	3800	3800	3800	3800
Max. input speed	$n_{1Max}$	rpm	5000	5000	5000	5000	5000	5000	5000	5000	5000	5000	5000	5000	5000	5000
Mean no load running torque <sup>b)</sup> (at $n_1=3000$ rpm and 20 °C gearbox temperature)	$T_{012}$	Nm	0.52	0.52	0.52	0.52	0.52	0.52	0.52	0.52	0.52	0.52	0.52	0.52	0.52	0.52
		in.lb	4.6	4.6	4.6	4.6	4.6	4.6	4.6	4.6	4.6	4.6	4.6	4.6	4.6	4.6
Max. backlash	$j_t$	arcmin	≤ 12													
Torsional rigidity <sup>b)</sup>	$C_{t21}$	Nm/arcmin	3	3	3	3	3	3	3	3	3	3	3	3	3	3
		in.lb/arcmin	27	27	27	27	27	27	27	27	27	27	27	27	27	27
Max. axial force <sup>c)</sup>	$F_{2AMax}$	N	2400													
		lb <sub>f</sub>	540													
Max. lateral force <sup>c)</sup>	$F_{2OMax}$	N	2800													
		lb <sub>f</sub>	630													
Max. tilting moment	$M_{2KMMax}$	Nm	152													
		in.lb	1345													
Efficiency at full load	$\eta$	%	94													
Service life	$L_h$	h	> 20000													
Weight (incl. standard adapter plate)	m	kg	2.4													
		lb <sub>m</sub>	5.3													
Operating noise (at reference ratio and reference speed – ratio-specific values available in cymex®)	$L_{PA}$	dB(A)	≤ 68													
Max. permitted housing temperature		°C	+90													
		°F	+194													
Ambient temperature		°C	0 to +40													
		°F	+32 to +104													
Lubrication			Lubricated for life													
Direction of rotation			In- and output same direction													
Protection class			IP 64													
Elastomer coupling (recommended product type – validate sizing with cymex®)			ELC-0060BA016.000-X													
Bore diameter of coupling on the application side		mm	X = 012.000 - 032.000													
Mass moment of inertia (relates to the drive) Clamping hub diameter [mm]	B	11	$J_1$	kgcm <sup>2</sup>	0.14	0.14	0.14	0.14	0.14	0.14	0.14	0.14	0.14	0.14	0.14	0.14
				10 <sup>-3</sup> in.lb.s <sup>2</sup>	0.12	0.12	0.12	0.12	0.12	0.12	0.12	0.12	0.12	0.12	0.12	0.12

Please use our sizing software cymex® for a detailed sizing – [www.wittenstein-cymex.com](http://www.wittenstein-cymex.com)  
Please consider the maximal tilting moment caused by the motor  $M_{1KMot}$  – see sizing

<sup>a)</sup> Valid for torque transmission only

<sup>b)</sup> Valid for standard clamping hub diameter

<sup>c)</sup> Refers to center of the output shaft or flange

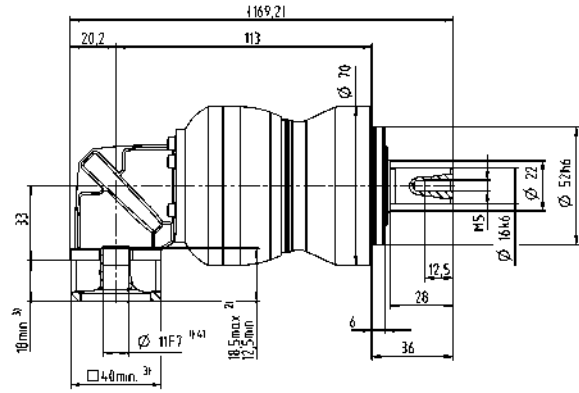
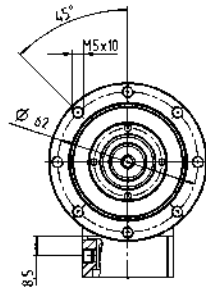
<sup>d)</sup> Please reduce input speed at higher ambient temperatures

<sup>e)</sup> Valid for: Smooth shaft

Motor shaft diameter [mm]

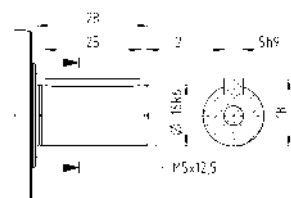
# 3-stage

up to 11<sup>4)</sup> (B)<sup>5)</sup>  
clamping hub diameter

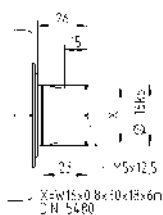


## Other output variants

Shaft with key



Splined shaft (DIN 5480)



Non-tolerated dimensions are nominal dimensions

<sup>1)</sup> Check motor shaft fit

<sup>2)</sup> Min. / Max. permissible motor shaft length

Longer motor shafts are possible, please contact alpha

<sup>3)</sup> The dimensions depend on the motor

<sup>4)</sup> Smaller motor shaft diameter is compensated

by a bushing with a minimum wall thickness of 1 mm

<sup>5)</sup> Standard clamping hub diameter

# NPLK 025 MF 2-stage

			2-stage						
Ratio	i		3	4	5	7	8	10	
Max. torque <sup>a) b) e)</sup>	$T_{2a}$	Nm	60	80	100	140	144	144	
		in.lb	531	708	885	1239	1275	1275	
Max. acceleration torque <sup>b)</sup> (max. 1000 cycles per hour)	$T_{2B}$	Nm	35	47	58	82	90	90	
		in.lb	310	416	513	726	797	797	
Emergency stop torque <sup>a) b) e)</sup> (permitted 1000 times during the service life of the gearbox)	$T_{2Not}$	Nm	90	120	150	190	190	190	
		in.lb	797	1062	1328	1682	1682	1682	
Permitted average input speed <sup>d)</sup> (at $T_{2a}$ and 20 °C ambient temperature)	$n_{1N}$	rpm	2700	2900	3000	3000	3000	3000	
Max. input speed	$n_{1Max}$	rpm	5000	5000	5000	5000	5000	5000	
Mean no load running torque <sup>b)</sup> (at $n_1=3000$ rpm and 20 °C gearbox temperature)	$T_{012}$	Nm	2.4	2.4	2.4	2.4	2.4	2.4	
		in.lb	21	21	21	21	21	21	
Max. backlash	$j_t$	arcmin	≤ 15						
Torsional rigidity <sup>b)</sup>	$C_{t21}$	Nm/arcmin	6.2	6.2	6.2	6.2	6.2	6.2	
		in.lb/arcmin	55	55	55	55	55	55	
Max. axial force <sup>c)</sup>	$F_{2AMax}$	N	3350						
		lb <sub>f</sub>	754						
Max. lateral force <sup>c)</sup>	$F_{2OMax}$	N	4200						
		lb <sub>f</sub>	945						
Max. tilting moment	$M_{2KMMax}$	Nm	236						
		in.lb	2089						
Efficiency at full load	$\eta$	%	95						
Service life	$L_h$	h	> 20000						
Weight (incl. standard adapter plate)	$m$	kg	5						
		lb <sub>m</sub>	11						
Operating noise (at reference ratio and reference speed – ratio-specific values available in cymex®)	$L_{PA}$	dB(A)	≤ 73						
Max. permitted housing temperature		°C	+90						
		°F	+194						
Ambient temperature		°C	0 to +40						
		°F	+32 to +104						
Lubrication			Lubricated for life						
Direction of rotation			In- and output same direction						
Protection class			IP 64						
Elastomer coupling (recommended product type – validate sizing with cymex®)			ELC-0060BA022.000-X						
Bore diameter of coupling on the application side		mm	X = 012.000 - 032.000						
Mass moment of inertia (relates to the drive) Clamping hub diameter [mm]	E 19	$J_1$	kgcm <sup>2</sup>	1.2	1.2	1.2	1.2	1.2	1.2
			10 <sup>-3</sup> in.lb.s <sup>2</sup>	1.1	1.1	1.1	1.1	1.1	1.1

Please use our sizing software cymex® for a detailed sizing – [www.wittenstein-cymex.com](http://www.wittenstein-cymex.com)  
Please consider the maximal tilting moment caused by the motor  $M_{1KMot}$  – see sizing

<sup>a)</sup> Valid for torque transmission only

<sup>b)</sup> Valid for standard clamping hub diameter

<sup>c)</sup> Refers to center of the output shaft or flange

<sup>d)</sup> Please reduce input speed at higher ambient temperatures

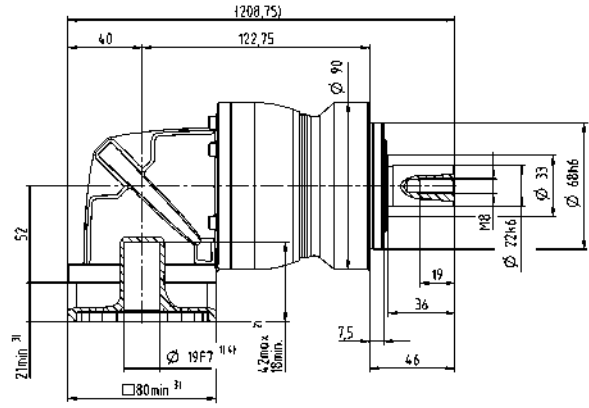
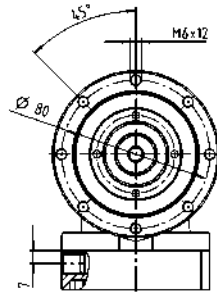
<sup>e)</sup> Valid for: Smooth shaft



Motor shaft diameter [mm]

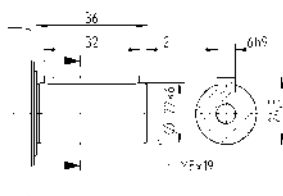
## 2-stage

up to 19<sup>4)</sup> (E)<sup>5)</sup>  
clamping hub diameter

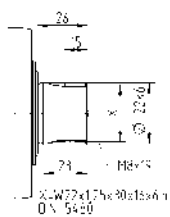


### Other output variants

Shaft with key



Splined shaft (DIN 5480)



Non-tolerated dimensions are nominal dimensions

<sup>1)</sup> Check motor shaft fit

<sup>2)</sup> Min. / Max. permissible motor shaft length

Longer motor shafts are possible, please contact alpha

<sup>3)</sup> The dimensions depend on the motor

<sup>4)</sup> Smaller motor shaft diameter is compensated by a bushing with a minimum wall thickness of 1 mm

<sup>5)</sup> Standard clamping hub diameter

# NPLK 025 MF 3-stage

			3-stage														
Ratio	i		9	12	15	16	20	25	28	30	32	35	40	50	64	70	100
Max. torque <sup>a) b) e)</sup>	$T_{2a}$	Nm	99	128	128	152	152	160	152	128	152	160	152	160	144	160	144
		in.lb	876	1133	1133	1345	1345	1416	1345	1133	1345	1416	1345	1416	1275	1416	1275
Max. acceleration torque <sup>b)</sup> (max. 1000 cycles per hour)	$T_{2B}$	Nm	48	65	80	86	95	100	95	80	95	100	95	100	90	100	90
		in.lb	425	575	708	761	841	885	841	708	841	885	841	885	797	885	797
Emergency stop torque <sup>a) b) e)</sup> (permitted 1000 times during the service life of the gearbox)	$T_{2Not}$	Nm	124	166	190	190	190	190	190	190	190	190	190	190	190	190	190
		in.lb	1097	1469	1682	1682	1682	1682	1682	1682	1682	1682	1682	1682	1682	1682	1682
Permitted average input speed <sup>d)</sup> (at $T_{2a}$ and 20 °C ambient temperature)	$n_{1N}$	rpm	2900	3300	3300	3300	3300	3300	3300	3300	3300	3300	3300	3300	3300	3300	3300
Max. input speed	$n_{1Max}$	rpm	5000	5000	5000	5000	5000	5000	5000	5000	5000	5000	5000	5000	5000	5000	5000
Mean no load running torque <sup>b)</sup> (at $n_1=3000$ rpm and 20 °C gearbox temperature)	$T_{012}$	Nm	0.97	0.97	0.97	0.97	0.97	0.97	0.97	0.97	0.97	0.97	0.97	0.97	0.97	0.97	0.97
		in.lb	8.6	8.6	8.6	8.6	8.6	8.6	8.6	8.6	8.6	8.6	8.6	8.6	8.6	8.6	8.6
Max. backlash	$j_t$	arcmin	≤ 13														
Torsional rigidity <sup>b)</sup>	$C_{t21}$	Nm/arcmin	8.4	8.4	8.4	8.4	8.4	8.4	8.4	8.4	8.4	8.4	8.4	8.4	8.4	8.4	8.4
		in.lb/arcmin	74	74	74	74	74	74	74	74	74	74	74	74	74	74	74
Max. axial force <sup>c)</sup>	$F_{2AMax}$	N	3350														
		lb <sub>f</sub>	754														
Max. lateral force <sup>c)</sup>	$F_{2OMax}$	N	4200														
		lb <sub>f</sub>	945														
Max. tilting moment	$M_{2KMMax}$	Nm	236														
		in.lb	2089														
Efficiency at full load	$\eta$	%	94														
Service life	$L_h$	h	> 20000														
Weight (incl. standard adapter plate)	m	kg	4.6														
		lb <sub>m</sub>	10														
Operating noise (at reference ratio and reference speed – ratio-specific values available in cymex®)	$L_{PA}$	dB(A)	≤ 73														
Max. permitted housing temperature		°C	+90														
		°F	+194														
Ambient temperature		°C	0 to +40														
		°F	+32 to +104														
Lubrication			Lubricated for life														
Direction of rotation			In- and output same direction														
Protection class			IP 64														
Elastomer coupling (recommended product type – validate sizing with cymex®)			ELC-0060BA022.000-X														
Bore diameter of coupling on the application side		mm	X = 012.000 - 032.000														
Mass moment of inertia (relates to the drive) Clamping hub diameter [mm]	C	14	$J_1$	kgcm <sup>2</sup>	0.45	0.45	0.45	0.45	0.45	0.45	0.45	0.45	0.45	0.45	0.45	0.45	0.45
				10 <sup>-3</sup> in.lb.s <sup>2</sup>	0.4	0.4	0.4	0.4	0.4	0.4	0.4	0.4	0.4	0.4	0.4	0.4	0.4

Please use our sizing software cymex® for a detailed sizing – [www.wittenstein-cymex.com](http://www.wittenstein-cymex.com)  
Please consider the maximal tilting moment caused by the motor  $M_{1KMot}$  – see sizing

<sup>a)</sup> Valid for torque transmission only

<sup>b)</sup> Valid for standard clamping hub diameter

<sup>c)</sup> Refers to center of the output shaft or flange

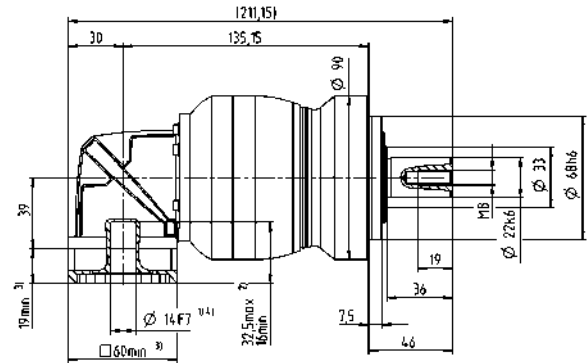
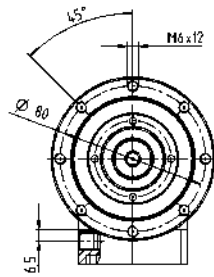
<sup>d)</sup> Please reduce input speed at higher ambient temperatures

<sup>e)</sup> Valid for: Smooth shaft

Motor shaft diameter [mm]

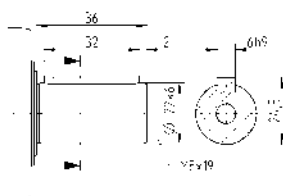
# 3-stage

up to 14<sup>4)</sup> (C)<sup>5)</sup>  
clamping hub diameter

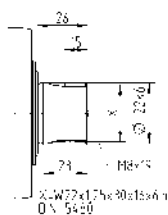


## Other output variants

Shaft with key



Splined shaft (DIN 5480)



Non-tolerated dimensions are nominal dimensions

<sup>1)</sup> Check motor shaft fit

<sup>2)</sup> Min. / Max. permissible motor shaft length

Longer motor shafts are possible, please contact alpha

<sup>3)</sup> The dimensions depend on the motor

<sup>4)</sup> Smaller motor shaft diameter is compensated

by a bushing with a minimum wall thickness of 1 mm

<sup>5)</sup> Standard clamping hub diameter

# NPLK 035 MF 2-stage

			2-stage						
Ratio	i		3	4	5	7	8	10	
Max. torque <sup>a) b) e)</sup>	$T_{2a}$	Nm	150	200	250	350	352	352	
		in.lb	1328	1770	2213	3098	3115	3115	
Max. acceleration torque <sup>b)</sup> (max. 1000 cycles per hour)	$T_{2B}$	Nm	93	124	155	217	220	220	
		in.lb	823	1097	1372	1921	1947	1947	
Emergency stop torque <sup>a) b) e)</sup> (permitted 1000 times during the service life of the gearbox)	$T_{2Not}$	Nm	238	318	397	500	500	500	
		in.lb	2106	2815	3514	4425	4425	4425	
Permitted average input speed <sup>d)</sup> (at $T_{2a}$ and 20 °C ambient temperature)	$n_{1N}$	rpm	2000	2000	2000	2000	2000	2000	
Max. input speed	$n_{1Max}$	rpm	4500	4500	4500	4500	4500	4500	
Mean no load running torque <sup>b)</sup> (at $n_1=3000$ rpm and 20 °C gearbox temperature)	$T_{012}$	Nm	5.8	5.8	5.8	5.8	5.8	5.8	
		in.lb	51	51	51	51	51	51	
Max. backlash	$j_t$	arcmin	≤ 13						
Torsional rigidity <sup>b)</sup>	$C_{t21}$	Nm/arcmin	16	16	16	16	16	16	
		in.lb/arcmin	142	142	142	142	142	142	
Max. axial force <sup>c)</sup>	$F_{2AMax}$	N	5650						
		lb <sub>f</sub>	1271						
Max. lateral force <sup>c)</sup>	$F_{2OMax}$	N	6600						
		lb <sub>f</sub>	1485						
Max. tilting moment	$M_{2KMMax}$	Nm	487						
		in.lb	4310						
Efficiency at full load	$\eta$	%	95						
Service life	$L_h$	h	> 20000						
Weight (incl. standard adapter plate)	m	kg	11						
		lb <sub>m</sub>	24						
Operating noise (at reference ratio and reference speed – ratio-specific values available in cymex®)	$L_{PA}$	dB(A)	≤ 74						
Max. permitted housing temperature		°C	+90						
		°F	+194						
Ambient temperature		°C	0 to +40						
		°F	+32 to +104						
Lubrication			Lubricated for life						
Direction of rotation			In- and output same direction						
Protection class			IP 64						
Elastomer coupling (recommended product type – validate sizing with cymex®)			ELC-0150BA032.000-X						
Bore diameter of coupling on the application side		mm	X = 019.000 - 036.000						
Mass moment of inertia (relates to the drive) Clamping hub diameter [mm]	H 28	$J_1$	kgcm <sup>2</sup>	5.2	5.2	5.2	5.2	5.2	5.2
			10 <sup>-3</sup> in.lb.s <sup>2</sup>	4.6	4.6	4.6	4.6	4.6	4.6

Please use our sizing software cymex® for a detailed sizing – [www.wittenstein-cymex.com](http://www.wittenstein-cymex.com)  
Please consider the maximal tilting moment caused by the motor  $M_{1KMot}$  – see sizing

<sup>a)</sup> Valid for torque transmission only

<sup>b)</sup> Valid for standard clamping hub diameter

<sup>c)</sup> Refers to center of the output shaft or flange

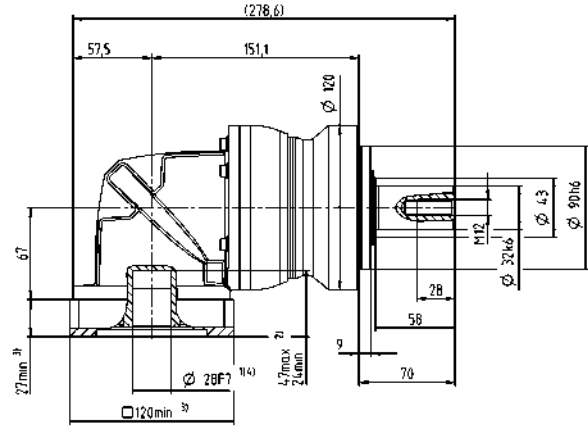
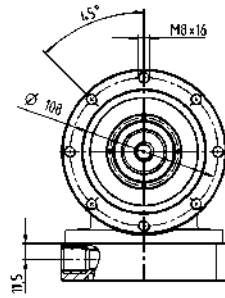
<sup>d)</sup> Please reduce input speed at higher ambient temperatures

<sup>e)</sup> Valid for: Smooth shaft

Motor shaft diameter [mm]

# 2-stage

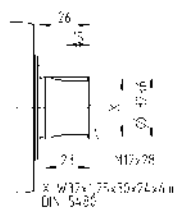
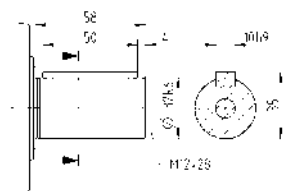
up to 28<sup>4)</sup> (H)<sup>5)</sup>  
clamping hub diameter



## Other output variants

Shaft with key

Splined shaft (DIN 5480)



Non-tolerated dimensions are nominal dimensions

<sup>1)</sup> Check motor shaft fit

<sup>2)</sup> Min. / Max. permissible motor shaft length

Longer motor shafts are possible, please contact alpha

<sup>3)</sup> The dimensions depend on the motor

<sup>4)</sup> Smaller motor shaft diameter is compensated

by a bushing with a minimum wall thickness of 1 mm

<sup>5)</sup> Standard clamping hub diameter

# NPLK 035 MF 3-stage

			3-stage														
Ratio	i		9	12	15	16	20	25	28	30	32	35	40	50	64	70	100
Max. torque <sup>a) b) e)</sup>	$T_{2a}$	Nm	180	240	300	320	400	400	408	320	408	400	408	400	352	400	352
		in.lb	1593	2124	2655	2832	3540	3540	3611	2832	3611	3540	3611	3540	3115	3540	3115
Max. acceleration torque <sup>b)</sup> (max. 1000 cycles per hour)	$T_{2B}$	Nm	105	141	176	188	235	250	255	200	255	250	255	250	220	250	220
		in.lb	929	1248	1558	1664	2080	2213	2257	1770	2257	2213	2257	2213	1947	2213	1947
Emergency stop torque <sup>a) b) e)</sup> (permitted 1000 times during the service life of the gearbox)	$T_{2Not}$	Nm	270	361	451	481	500	500	500	500	500	500	500	500	500	500	500
		in.lb	2390	3195	3992	4257	4425	4425	4425	4425	4425	4425	4425	4425	4425	4425	4425
Permitted average input speed <sup>d)</sup> (at $T_{2a}$ and 20 °C ambient temperature)	$n_{1N}$	rpm	2700	3000	3000	3000	3000	3000	3000	3000	3000	3000	3000	3000	3000	3000	3000
Max. input speed	$n_{1Max}$	rpm	5000	5000	5000	5000	5000	5000	5000	5000	5000	5000	5000	5000	5000	5000	5000
Mean no load running torque <sup>b)</sup> (at $n_1=3000$ rpm and 20 °C gearbox temperature)	$T_{012}$	Nm	2.3	2.3	2.3	2.3	2.3	2.3	2.3	2.3	2.3	2.3	2.3	2.3	2.3	2.3	2.3
		in.lb	20	20	20	20	20	20	20	20	20	20	20	20	20	20	20
Max. backlash	$j_t$	arcmin	≤ 13														
Torsional rigidity <sup>b)</sup>	$C_{t21}$	Nm/arcmin	19	19	19	19	19	19	19	19	19	19	19	19	19	19	19
		in.lb/arcmin	168	168	168	168	168	168	168	168	168	168	168	168	168	168	168
Max. axial force <sup>c)</sup>	$F_{2AMax}$	N	5650														
		lb <sub>f</sub>	1271														
Max. lateral force <sup>c)</sup>	$F_{2OMax}$	N	6600														
		lb <sub>f</sub>	1485														
Max. tilting moment	$M_{2KMax}$	Nm	487														
		in.lb	4310														
Efficiency at full load	$\eta$	%	94														
Service life	$L_h$	h	> 20000														
Weight (incl. standard adapter plate)	m	kg	11														
		lb <sub>m</sub>	24														
Operating noise (at reference ratio and reference speed – ratio-specific values available in cymex®)	$L_{PA}$	dB(A)	≤ 73														
Max. permitted housing temperature		°C	+90														
		°F	+194														
Ambient temperature		°C	0 to +40														
		°F	+32 to +104														
Lubrication			Lubricated for life														
Direction of rotation			In- and output same direction														
Protection class			IP 64														
Elastomer coupling (recommended product type – validate sizing with cymex®)			ELC-0150BA032.000-X														
Bore diameter of coupling on the application side		mm	X = 019.000 - 036.000														
Mass moment of inertia (relates to the drive) Clamping hub diameter [mm]	E	19	$J_1$	kgcm <sup>2</sup>	1.7	1.7	1.7	1.7	1.7	1.7	1.7	1.7	1.7	1.7	1.7	1.7	1.7
				10 <sup>-3</sup> in.lb.s <sup>2</sup>	1.5	1.5	1.5	1.5	1.5	1.5	1.5	1.5	1.5	1.5	1.5	1.5	1.5

Please use our sizing software cymex® for a detailed sizing – [www.wittenstein-cymex.com](http://www.wittenstein-cymex.com)  
Please consider the maximal tilting moment caused by the motor  $M_{1KMot}$  – see sizing

<sup>a)</sup> Valid for torque transmission only

<sup>b)</sup> Valid for standard clamping hub diameter

<sup>c)</sup> Refers to center of the output shaft or flange

<sup>d)</sup> Please reduce input speed at higher ambient temperatures

<sup>e)</sup> Valid for: Smooth shaft



# NPLK 045 MF 3-stage

			3-stage					
Ratio	i		25	32	50	64	100	
Max. torque <sup>a) b) e)</sup>	$T_{2a}$	Nm	700	640	700	640	640	
		in.lb	6196	5665	6196	5665	5665	
Max. acceleration torque <sup>e)</sup> (max. 1000 cycles per hour)	$T_{2B}$	Nm	500	400	500	400	400	
		in.lb	4425	3540	4425	3540	3540	
Emergency stop torque <sup>a) b) e)</sup> (permitted 1000 times during the service life of the gearbox)	$T_{2Not}$	Nm	1000	1000	1000	1000	1000	
		in.lb	8851	8851	8851	8851	8851	
Permitted average input speed <sup>d)</sup> (at $T_{2N}$ and 20 °C ambient temperature)	$n_{1N}$	rpm	2000	2000	2000	2000	2000	
Max. input speed	$n_{1Max}$	rpm	4500	4500	4500	4500	4500	
Mean no load running torque <sup>b)</sup> (at $n_1=3000$ rpm and 20 °C gearbox temperature)	$T_{012}$	Nm	4.7	4.7	4.7	4.7	4.7	
		in.lb	42	42	42	42	42	
Max. backlash	$j_l$	arcmin	≤ 11					
Torsional rigidity <sup>b)</sup>	$C_{t21}$	Nm/arcmin	54	54	54	54	54	
		in.lb/arcmin	478	478	478	478	478	
Max. axial force <sup>c)</sup>	$F_{2AMax}$	N	9870					
		lb <sub>f</sub>	2221					
Max. lateral force <sup>c)</sup>	$F_{2QMMax}$	N	9900					
		lb <sub>f</sub>	2228					
Max. tilting moment	$M_{2KMMax}$	Nm	952					
		in.lb	8426					
Efficiency at full load	$\eta$	%	94					
Service life	$L_n$	h	> 20000					
Weight (incl. standard adapter plate)	m	kg	22					
		lb <sub>m</sub>	49					
Operating noise (at reference ratio and reference speed – ratio-specific values available in cymex®)	$L_{PA}$	dB(A)	≤ 74					
Max. permitted housing temperature		°C	+90					
		°F	+194					
Ambient temperature		°C	0 to +40					
		°F	+32 to +104					
Lubrication			Lubricated for life					
Direction of rotation			In- and output same direction					
Protection class			IP 64					
Elastomer coupling (recommended product type – validate sizing with cymex®)			ELC-0300BA040.000-X					
Bore diameter of coupling on the application side		mm	X = 020.000 - 045.000					
Mass moment of inertia (relates to the drive) Clamping hub diameter [mm]	H 28	$J_1$	kgcm <sup>2</sup>	6.7	6.7	6.7	6.7	6.7
			10 <sup>-3</sup> in.lb.s <sup>2</sup>	5.9	5.9	5.9	5.9	5.9

Please use our sizing software cymex® for a detailed sizing – [www.wittenstein-cymex.com](http://www.wittenstein-cymex.com)  
Please consider the maximal tilting moment caused by the motor  $M_{1KMot}$  – see sizing

<sup>a)</sup> Valid for torque transmission only

<sup>b)</sup> Valid for standard clamping hub diameter

<sup>c)</sup> Refers to center of the output shaft or flange

<sup>d)</sup> Please reduce input speed at higher ambient temperatures

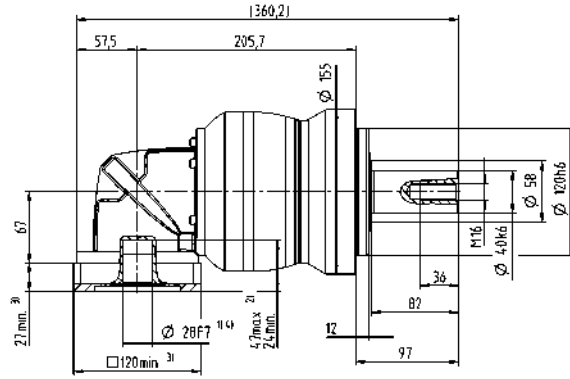
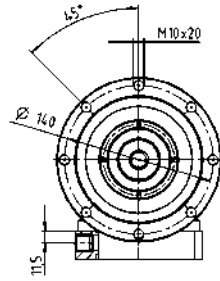
<sup>e)</sup> Valid for: Smooth shaft



Motor shaft diameter [mm]

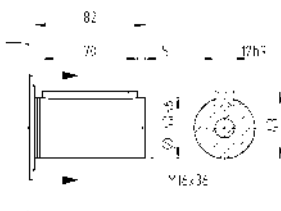
# 3-stage

up to 28<sup>4)</sup> (H)<sup>5)</sup>  
clamping hub diameter

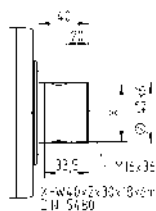


## Other output variants

Shaft with key



Splined shaft (DIN 5480)



Non-tolerated dimensions are nominal dimensions

<sup>1)</sup> Check motor shaft fit

<sup>2)</sup> Min. / Max. permissible motor shaft length

Longer motor shafts are possible, please contact alpha

<sup>3)</sup> The dimensions depend on the motor

<sup>4)</sup> Smaller motor shaft diameter is compensated by a bushing with a minimum wall thickness of 1 mm

<sup>5)</sup> Standard clamping hub diameter

# NPSK 015 MF 2-stage

			2-stage							
Ratio	i		3	4	5	7	8	10		
Max. torque <sup>a) b) e)</sup>	$T_{2a}$	Nm	33	44	55	64	56	56		
		in.lb	292	389	487	566	496	496		
Max. acceleration torque <sup>b)</sup> (max. 1000 cycles per hour)	$T_{2B}$	Nm	16	21	27	37	35	35		
		in.lb	142	186	239	327	310	310		
Emergency stop torque <sup>a) b) e)</sup> (permitted 1000 times during the service life of the gearbox)	$T_{2Not}$	Nm	41	55	69	80	80	80		
		in.lb	363	487	611	708	708	708		
Permitted average input speed <sup>d)</sup> (at $T_{2a}$ and 20 °C ambient temperature)	$n_{1N}$	rpm	2900	3100	3300	3300	3300	3300		
Max. input speed	$n_{1Max}$	rpm	5000	5000	5000	5000	5000	5000		
Mean no load running torque <sup>b)</sup> (at $n_1=3000$ rpm and 20 °C gearbox temperature)	$T_{012}$	Nm	1.2	1.2	1.2	1.2	1.2	1.2		
		in.lb	11	11	11	11	11	11		
Max. backlash	$j_t$	arcmin	≤ 15							
Torsional rigidity <sup>b)</sup>	$C_{t21}$	Nm/arcmin	2.4	2.4	2.4	2.4	2.4	2.4		
		in.lb/arcmin	21	21	21	21	21	21		
Max. axial force <sup>c)</sup>	$F_{2AMax}$	N	2400							
		lb <sub>f</sub>	540							
Max. lateral force <sup>c)</sup>	$F_{2OMax}$	N	2800							
		lb <sub>f</sub>	630							
Max. tilting moment	$M_{2KMMax}$	Nm	152							
		in.lb	1345							
Efficiency at full load	$\eta$	%	95							
Service life	$L_h$	h	> 20000							
Weight (incl. standard adapter plate)	m	kg	2.2							
		lb <sub>m</sub>	4.9							
Operating noise (at reference ratio and reference speed – ratio-specific values available in cymex®)	$L_{PA}$	dB(A)	≤ 70							
Max. permitted housing temperature		°C	+90							
		°F	+194							
Ambient temperature		°C	0 to +40							
		°F	+32 to +104							
Lubrication			Lubricated for life							
Direction of rotation			In- and output same direction							
Protection class			IP 64							
Elastomer coupling (recommended product type – validate sizing with cymex®)			ELC-0060BA016.000-X							
Bore diameter of coupling on the application side		mm	X = 012.000 - 032.000							
Mass moment of inertia (relates to the drive) Clamping hub diameter [mm]	C	14	$J_1$	kgcm <sup>2</sup>	0.32	0.32	0.32	0.32	0.32	0.32
				10 <sup>-3</sup> in.lb.s <sup>2</sup>	0.28	0.28	0.28	0.28	0.28	0.28

Please use our sizing software cymex® for a detailed sizing – [www.wittenstein-cymex.com](http://www.wittenstein-cymex.com)  
Please consider the maximal tilting moment caused by the motor  $M_{1KMot}$  – see sizing

<sup>a)</sup> Valid for torque transmission only

<sup>b)</sup> Valid for standard clamping hub diameter

<sup>c)</sup> Refers to center of the output shaft or flange

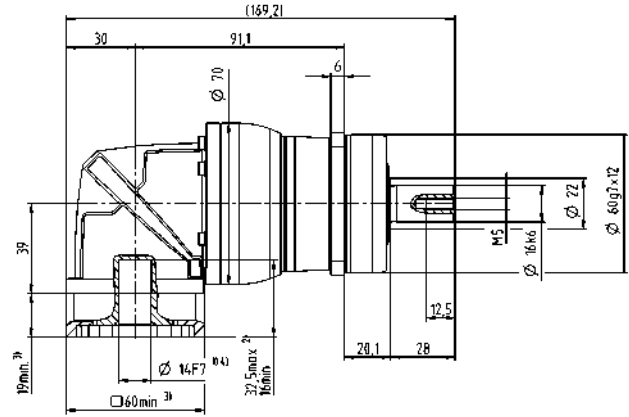
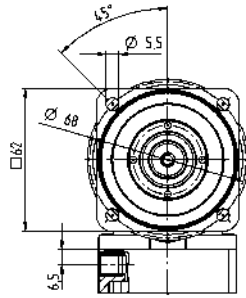
<sup>d)</sup> Please reduce input speed at higher ambient temperatures

<sup>e)</sup> Valid for: Smooth shaft

Motor shaft diameter [mm]

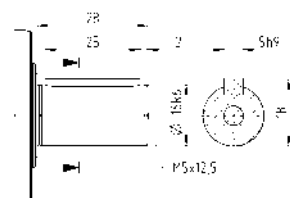
# 2-stage

up to 14<sup>4)</sup> (C)<sup>5)</sup>  
clamping hub diameter

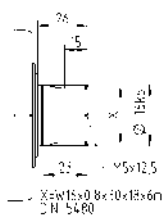


## Other output variants

Shaft with key



Splined shaft (DIN 5480)



Non-tolerated dimensions are nominal dimensions

<sup>1)</sup> Check motor shaft fit

<sup>2)</sup> Min. / Max. permissible motor shaft length

Longer motor shafts are possible, please contact alpha

<sup>3)</sup> The dimensions depend on the motor

<sup>4)</sup> Smaller motor shaft diameter is compensated by a bushing with a minimum wall thickness of 1 mm

<sup>5)</sup> Standard clamping hub diameter

# NPSK 015 MF 3-stage

			3-stage													
Ratio	i		12	15	16	20	25	28	30	32	35	40	50	64	70	100
Max. torque <sup>a) b) e)</sup>	$T_{2a}$	Nm	42	51	56	56	64	56	51	56	64	56	64	56	64	56
		in.lb	372	451	496	496	566	496	451	496	566	496	566	496	566	496
Max. acceleration torque <sup>b)</sup> (max. 1000 cycles per hour)	$T_{2B}$	Nm	20	25	27	34	40	35	31	35	40	35	40	35	40	35
		in.lb	177	221	239	301	354	310	274	310	354	310	354	310	354	310
Emergency stop torque <sup>a) b) e)</sup> (permitted 1000 times during the service life of the gearbox)	$T_{2Not}$	Nm	52	65	70	80	80	80	80	80	80	80	80	80	80	80
		in.lb	460	575	620	708	708	708	708	708	708	708	708	708	708	708
Permitted average input speed <sup>d)</sup> (at $T_{2a}$ and 20 °C ambient temperature)	$n_{1N}$	rpm	3800	3800	3800	3800	3800	3800	3800	3800	3800	3800	3800	3800	3800	3800
Max. input speed	$n_{1Max}$	rpm	5000	5000	5000	5000	5000	5000	5000	5000	5000	5000	5000	5000	5000	5000
Mean no load running torque <sup>b)</sup> (at $n_1 = 3000$ rpm and 20 °C gearbox temperature)	$T_{012}$	Nm	0.52	0.52	0.52	0.52	0.52	0.52	0.52	0.52	0.52	0.52	0.52	0.52	0.52	0.52
		in.lb	4.6	4.6	4.6	4.6	4.6	4.6	4.6	4.6	4.6	4.6	4.6	4.6	4.6	4.6
Max. backlash	$j_t$	arcmin	≤ 12													
Torsional rigidity <sup>b)</sup>	$C_{t21}$	Nm/arcmin	3	3	3	3	3	3	3	3	3	3	3	3	3	3
		in.lb/arcmin	27	27	27	27	27	27	27	27	27	27	27	27	27	27
Max. axial force <sup>c)</sup>	$F_{2AMax}$	N	2400													
		lb <sub>f</sub>	540													
Max. lateral force <sup>c)</sup>	$F_{2OMax}$	N	2800													
		lb <sub>f</sub>	630													
Max. tilting moment	$M_{2KMMax}$	Nm	152													
		in.lb	1345													
Efficiency at full load	$\eta$	%	94													
Service life	$L_h$	h	> 20000													
Weight (incl. standard adapter plate)	m	kg	2.3													
		lb <sub>m</sub>	5.1													
Operating noise (at reference ratio and reference speed – ratio-specific values available in cymex®)	$L_{PA}$	dB(A)	≤ 68													
Max. permitted housing temperature		°C	+90													
		°F	+194													
Ambient temperature		°C	0 to +40													
		°F	+32 to +104													
Lubrication			Lubricated for life													
Direction of rotation			In- and output same direction													
Protection class			IP 64													
Elastomer coupling (recommended product type – validate sizing with cymex®)			ELC-0060BA016.000-X													
Bore diameter of coupling on the application side		mm	X = 012.000 - 032.000													
Mass moment of inertia (relates to the drive) Clamping hub diameter [mm]	B	11	$J_1$	kgcm <sup>2</sup>	0.14	0.14	0.14	0.14	0.14	0.14	0.14	0.14	0.14	0.14	0.14	0.14
				10 <sup>-3</sup> in.lb.s <sup>2</sup>	0.12	0.12	0.12	0.12	0.12	0.12	0.12	0.12	0.12	0.12	0.12	0.12

Please use our sizing software cymex® for a detailed sizing – [www.wittenstein-cymex.com](http://www.wittenstein-cymex.com)  
Please consider the maximal tilting moment caused by the motor  $M_{1KMot}$  – see sizing

<sup>a)</sup> Valid for torque transmission only

<sup>b)</sup> Valid for standard clamping hub diameter

<sup>c)</sup> Refers to center of the output shaft or flange

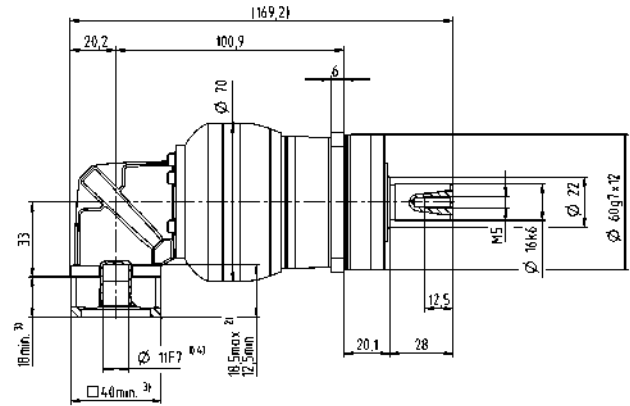
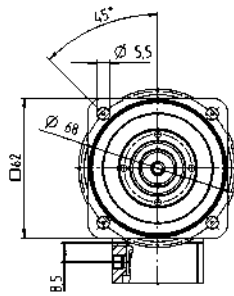
<sup>d)</sup> Please reduce input speed at higher ambient temperatures

<sup>e)</sup> Valid for: Smooth shaft

Motor shaft diameter [mm]

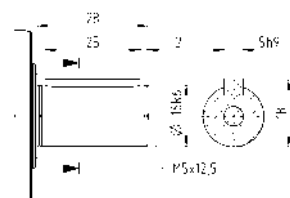
# 3-stage

up to 11<sup>4)</sup> (B)<sup>5)</sup>  
clamping hub diameter

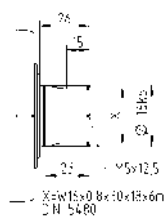


## Other output variants

Shaft with key



Splined shaft (DIN 5480)



Non-tolerated dimensions are nominal dimensions

<sup>1)</sup> Check motor shaft fit

<sup>2)</sup> Min. / Max. permissible motor shaft length

Longer motor shafts are possible, please contact alpha

<sup>3)</sup> The dimensions depend on the motor

<sup>4)</sup> Smaller motor shaft diameter is compensated by a bushing with a minimum wall thickness of 1 mm

<sup>5)</sup> Standard clamping hub diameter

# NPSK 025 MF 2-stage

			2-stage						
Ratio	i		3	4	5	7	8	10	
Max. torque <sup>a) b) e)</sup>	$T_{2a}$	Nm	60	80	100	140	144	144	
		in.lb	531	708	885	1239	1275	1275	
Max. acceleration torque <sup>b)</sup> (max. 1000 cycles per hour)	$T_{2B}$	Nm	35	47	58	82	90	90	
		in.lb	310	416	513	726	797	797	
Emergency stop torque <sup>a) b) e)</sup> (permitted 1000 times during the service life of the gearbox)	$T_{2Not}$	Nm	90	120	150	190	190	190	
		in.lb	797	1062	1328	1682	1682	1682	
Permitted average input speed <sup>d)</sup> (at $T_{2a}$ and 20 °C ambient temperature)	$n_{1N}$	rpm	2700	2900	3000	3000	3000	3000	
Max. input speed	$n_{1Max}$	rpm	5000	5000	5000	5000	5000	5000	
Mean no load running torque <sup>b)</sup> (at $n_1=3000$ rpm and 20 °C gearbox temperature)	$T_{012}$	Nm	2.4	2.4	2.4	2.4	2.4	2.4	
		in.lb	21	21	21	21	21	21	
Max. backlash	$j_t$	arcmin	≤ 15						
Torsional rigidity <sup>b)</sup>	$C_{t21}$	Nm/arcmin	6.2	6.2	6.2	6.2	6.2	6.2	
		in.lb/arcmin	55	55	55	55	55	55	
Max. axial force <sup>c)</sup>	$F_{2AMax}$	N	3350						
		lb <sub>f</sub>	754						
Max. lateral force <sup>c)</sup>	$F_{2OMax}$	N	4200						
		lb <sub>f</sub>	945						
Max. tilting moment	$M_{2KMMax}$	Nm	236						
		in.lb	2089						
Efficiency at full load	$\eta$	%	95						
Service life	$L_h$	h	> 20000						
Weight (incl. standard adapter plate)	m	kg	4.7						
		lb <sub>m</sub>	10						
Operating noise (at reference ratio and reference speed – ratio-specific values available in cymex®)	$L_{PA}$	dB(A)	≤ 73						
Max. permitted housing temperature		°C	+90						
		°F	+194						
Ambient temperature		°C	0 to +40						
		°F	+32 to +104						
Lubrication			Lubricated for life						
Direction of rotation			In- and output same direction						
Protection class			IP 64						
Elastomer coupling (recommended product type – validate sizing with cymex®)			ELC-0060BA022.000-X						
Bore diameter of coupling on the application side		mm	X = 012.000 - 032.000						
Mass moment of inertia (relates to the drive) Clamping hub diameter [mm]	E 19	$J_1$	kgcm <sup>2</sup>	1.2	1.2	1.2	1.2	1.2	1.2
			10 <sup>-3</sup> in.lb.s <sup>2</sup>	1.1	1.1	1.1	1.1	1.1	1.1

Please use our sizing software cymex® for a detailed sizing – [www.wittenstein-cymex.com](http://www.wittenstein-cymex.com)  
Please consider the maximal tilting moment caused by the motor  $M_{1KMot}$  – see sizing

<sup>a)</sup> Valid for torque transmission only

<sup>b)</sup> Valid for standard clamping hub diameter

<sup>c)</sup> Refers to center of the output shaft or flange

<sup>d)</sup> Please reduce input speed at higher ambient temperatures

<sup>e)</sup> Valid for: Smooth shaft



# NPSK 025 MF 3-stage

			3-stage														
Ratio	i		9	12	15	16	20	25	28	30	32	35	40	50	64	70	100
Max. torque <sup>a) b) e)</sup>	$T_{2a}$	Nm	99	128	128	152	152	160	152	128	152	160	152	160	144	160	144
		in.lb	876	1133	1133	1345	1345	1416	1345	1133	1345	1416	1345	1416	1275	1416	1275
Max. acceleration torque <sup>b)</sup> (max. 1000 cycles per hour)	$T_{2B}$	Nm	48	65	80	86	95	100	95	80	95	100	95	100	90	100	90
		in.lb	425	575	708	761	841	885	841	708	841	885	841	885	797	885	797
Emergency stop torque <sup>a) b) e)</sup> (permitted 1000 times during the service life of the gearbox)	$T_{2Not}$	Nm	124	166	190	190	190	190	190	190	190	190	190	190	190	190	190
		in.lb	1097	1469	1682	1682	1682	1682	1682	1682	1682	1682	1682	1682	1682	1682	1682
Permitted average input speed <sup>d)</sup> (at $T_{2a}$ and 20 °C ambient temperature)	$n_{1N}$	rpm	2900	3300	3300	3300	3300	3300	3300	3300	3300	3300	3300	3300	3300	3300	3300
Max. input speed	$n_{1Max}$	rpm	5000	5000	5000	5000	5000	5000	5000	5000	5000	5000	5000	5000	5000	5000	5000
Mean no load running torque <sup>b)</sup> (at $n_1=3000$ rpm and 20 °C gearbox temperature)	$T_{012}$	Nm	0.97	0.97	0.97	0.97	0.97	0.97	0.97	0.97	0.97	0.97	0.97	0.97	0.97	0.97	0.97
		in.lb	8.6	8.6	8.6	8.6	8.6	8.6	8.6	8.6	8.6	8.6	8.6	8.6	8.6	8.6	8.6
Max. backlash	$j_t$	arcmin	≤ 13														
Torsional rigidity <sup>b)</sup>	$C_{t21}$	Nm/arcmin	8.4	8.4	8.4	8.4	8.4	8.4	8.4	8.4	8.4	8.4	8.4	8.4	8.4	8.4	8.4
		in.lb/arcmin	74	74	74	74	74	74	74	74	74	74	74	74	74	74	74
Max. axial force <sup>c)</sup>	$F_{2AMax}$	N	3350														
		lb <sub>f</sub>	754														
Max. lateral force <sup>c)</sup>	$F_{2OMax}$	N	4200														
		lb <sub>f</sub>	945														
Max. tilting moment	$M_{2KMMax}$	Nm	236														
		in.lb	2089														
Efficiency at full load	$\eta$	%	94														
Service life	$L_h$	h	> 20000														
Weight (incl. standard adapter plate)	m	kg	4.3														
		lb <sub>m</sub>	9.5														
Operating noise (at reference ratio and reference speed – ratio-specific values available in cymex®)	$L_{PA}$	dB(A)	≤ 70														
Max. permitted housing temperature		°C	+90														
		°F	+194														
Ambient temperature		°C	0 to +40														
		°F	+32 to +104														
Lubrication			Lubricated for life														
Direction of rotation			In- and output same direction														
Protection class			IP 64														
Elastomer coupling (recommended product type – validate sizing with cymex®)			ELC-0060BA022.000-X														
Bore diameter of coupling on the application side		mm	X = 012.000 - 032.000														
Mass moment of inertia (relates to the drive) Clamping hub diameter [mm]	C	14	$J_1$	kgcm <sup>2</sup>	0.45	0.45	0.45	0.45	0.45	0.45	0.45	0.45	0.45	0.45	0.45	0.45	0.45
				10 <sup>-3</sup> in.lb.s <sup>2</sup>	0.4	0.4	0.4	0.4	0.4	0.4	0.4	0.4	0.4	0.4	0.4	0.4	0.4

Please use our sizing software cymex® for a detailed sizing – [www.wittenstein-cymex.com](http://www.wittenstein-cymex.com)  
Please consider the maximal tilting moment caused by the motor  $M_{1KMot}$  – see sizing

<sup>a)</sup> Valid for torque transmission only

<sup>b)</sup> Valid for standard clamping hub diameter

<sup>c)</sup> Refers to center of the output shaft or flange

<sup>d)</sup> Please reduce input speed at higher ambient temperatures

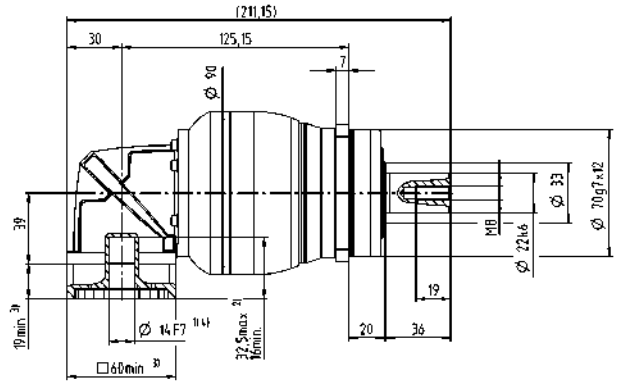
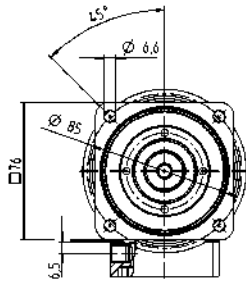
<sup>e)</sup> Valid for: Smooth shaft



Motor shaft diameter [mm]

# 3-stage

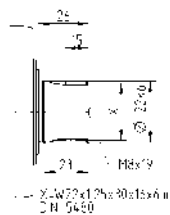
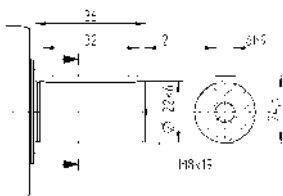
up to 14<sup>4)</sup> (C)<sup>5)</sup>  
clamping hub diameter



## Other output variants

Shaft with key

Splined shaft (DIN 5480)



Non-tolerated dimensions are nominal dimensions

<sup>1)</sup> Check motor shaft fit

<sup>2)</sup> Min. / Max. permissible motor shaft length

Longer motor shafts are possible, please contact alpha

<sup>3)</sup> The dimensions depend on the motor

<sup>4)</sup> Smaller motor shaft diameter is compensated

by a bushing with a minimum wall thickness of 1 mm

<sup>5)</sup> Standard clamping hub diameter

# NPSK 035 MF 2-stage

			2-stage						
Ratio	i		3	4	5	7	8	10	
Max. torque <sup>a) b) e)</sup>	$T_{2a}$	Nm	150	200	250	350	352	352	
		in.lb	1328	1770	2213	3098	3115	3115	
Max. acceleration torque <sup>b)</sup> (max. 1000 cycles per hour)	$T_{2B}$	Nm	93	124	155	217	220	220	
		in.lb	823	1097	1372	1921	1947	1947	
Emergency stop torque <sup>a) b) e)</sup> (permitted 1000 times during the service life of the gearbox)	$T_{2Not}$	Nm	238	318	397	500	500	500	
		in.lb	2106	2815	3514	4425	4425	4425	
Permitted average input speed <sup>d)</sup> (at $T_{2a}$ and 20 °C ambient temperature)	$n_{1N}$	rpm	2000	2000	2000	2000	2000	2000	
Max. input speed	$n_{1Max}$	rpm	4500	4500	4500	4500	4500	4500	
Mean no load running torque <sup>b)</sup> (at $n_1=3000$ rpm and 20 °C gearbox temperature)	$T_{012}$	Nm	5.8	5.8	5.8	5.8	5.8	5.8	
		in.lb	51	51	51	51	51	51	
Max. backlash	$j_t$	arcmin	≤ 13						
Torsional rigidity <sup>b)</sup>	$C_{t21}$	Nm/arcmin	16	16	16	16	16	16	
		in.lb/arcmin	142	142	142	142	142	142	
Max. axial force <sup>c)</sup>	$F_{2AMax}$	N	5650						
		lb <sub>f</sub>	1271						
Max. lateral force <sup>c)</sup>	$F_{2OMax}$	N	6600						
		lb <sub>f</sub>	1485						
Max. tilting moment	$M_{2KMMax}$	Nm	487						
		in.lb	4310						
Efficiency at full load	$\eta$	%	95						
Service life	$L_h$	h	> 20000						
Weight (incl. standard adapter plate)	m	kg	10						
		lb <sub>m</sub>	22						
Operating noise (at reference ratio and reference speed – ratio-specific values available in cymex®)	$L_{PA}$	dB(A)	≤ 74						
Max. permitted housing temperature		°C	+90						
		°F	+194						
Ambient temperature		°C	0 to +40						
		°F	+32 to +104						
Lubrication			Lubricated for life						
Direction of rotation			In- and output same direction						
Protection class			IP 64						
Elastomer coupling (recommended product type – validate sizing with cymex®)			ELC-0150BA032.000-X						
Bore diameter of coupling on the application side		mm	X = 019.000 - 036.000						
Mass moment of inertia (relates to the drive) Clamping hub diameter [mm]	H 28	$J_1$	kgcm <sup>2</sup>	5.2	5.2	5.2	5.2	5.2	5.2
			10 <sup>-3</sup> in.lb.s <sup>2</sup>	4.6	4.6	4.6	4.6	4.6	4.6

Please use our sizing software cymex® for a detailed sizing – [www.wittenstein-cymex.com](http://www.wittenstein-cymex.com)  
Please consider the maximal tilting moment caused by the motor  $M_{1KMot}$  – see sizing

<sup>a)</sup> Valid for torque transmission only

<sup>b)</sup> Valid for standard clamping hub diameter

<sup>c)</sup> Refers to center of the output shaft or flange

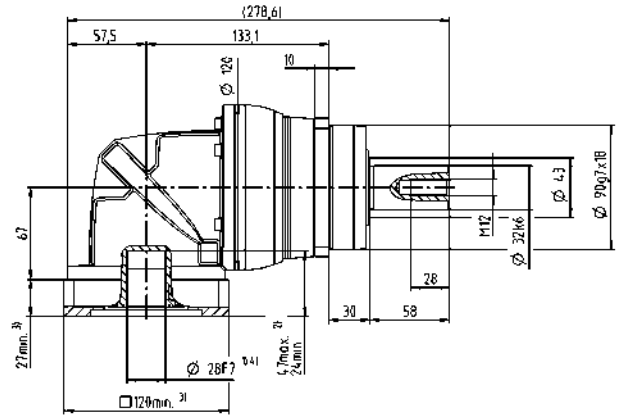
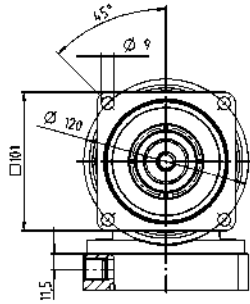
<sup>d)</sup> Please reduce input speed at higher ambient temperatures

<sup>e)</sup> Valid for: Smooth shaft

Motor shaft diameter [mm]

# 2-stage

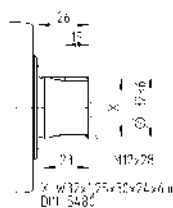
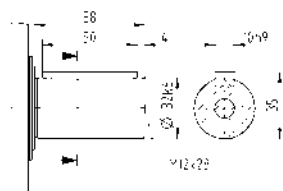
up to 28<sup>4)</sup> (H)<sup>5)</sup>  
clamping hub diameter



## Other output variants

Shaft with key

Splined shaft (DIN 5480)



Non-tolerated dimensions are nominal dimensions

<sup>1)</sup> Check motor shaft fit

<sup>2)</sup> Min. / Max. permissible motor shaft length

Longer motor shafts are possible, please contact alpha

<sup>3)</sup> The dimensions depend on the motor

<sup>4)</sup> Smaller motor shaft diameter is compensated by a bushing with a minimum wall thickness of 1 mm

<sup>5)</sup> Standard clamping hub diameter

# NPSK 035 MF 3-stage

			3-stage														
Ratio	i		9	12	15	16	20	25	28	30	32	35	40	50	64	70	100
Max. torque <sup>a) b) e)</sup>	$T_{2a}$	Nm	180	240	300	320	400	400	408	320	408	400	408	400	352	400	352
		in.lb	1593	2124	2655	2832	3540	3540	3611	2832	3611	3540	3611	3540	3115	3540	3115
Max. acceleration torque <sup>b)</sup> (max. 1000 cycles per hour)	$T_{2B}$	Nm	105	141	176	188	235	250	255	200	255	250	255	250	220	250	220
		in.lb	929	1248	1558	1664	2080	2213	2257	1770	2257	2213	2257	2213	1947	2213	1947
Emergency stop torque <sup>a) b) e)</sup> (permitted 1000 times during the service life of the gearbox)	$T_{2Not}$	Nm	270	361	451	481	500	500	500	500	500	500	500	500	500	500	500
		in.lb	2390	3195	3992	4257	4425	4425	4425	4425	4425	4425	4425	4425	4425	4425	4425
Permitted average input speed <sup>d)</sup> (at $T_{2a}$ and 20 °C ambient temperature)	$n_{1N}$	rpm	2700	3000	3000	3000	3000	3000	3000	3000	3000	3000	3000	3000	3000	3000	
Max. input speed	$n_{1Max}$	rpm	5000	5000	5000	5000	5000	5000	5000	5000	5000	5000	5000	5000	5000	5000	
Mean no load running torque <sup>b)</sup> (at $n_1=3000$ rpm and 20 °C gearbox temperature)	$T_{012}$	Nm	2.3	2.3	2.3	2.3	2.3	2.3	2.3	2.3	2.3	2.3	2.3	2.3	2.3	2.3	
		in.lb	20	20	20	20	20	20	20	20	20	20	20	20	20	20	
Max. backlash	$j_t$	arcmin	≤ 13														
Torsional rigidity <sup>b)</sup>	$C_{121}$	Nm/arcmin	19	19	19	19	19	19	19	19	19	19	19	19	19	19	
		in.lb/arcmin	168	168	168	168	168	168	168	168	168	168	168	168	168	168	
Max. axial force <sup>c)</sup>	$F_{2AMax}$	N	5650														
		lb <sub>f</sub>	1271														
Max. lateral force <sup>c)</sup>	$F_{2OMax}$	N	6600														
		lb <sub>f</sub>	1485														
Max. tilting moment	$M_{2KMax}$	Nm	487														
		in.lb	4310														
Efficiency at full load	$\eta$	%	94														
Service life	$L_h$	h	> 20000														
Weight (incl. standard adapter plate)	m	kg	10														
		lb <sub>m</sub>	22														
Operating noise (at reference ratio and reference speed – ratio-specific values available in cymex®)	$L_{PA}$	dB(A)	≤ 73														
Max. permitted housing temperature		°C	+90														
		°F	+194														
Ambient temperature		°C	0 to +40														
		°F	+32 to +104														
Lubrication			Lubricated for life														
Direction of rotation			In- and output same direction														
Protection class			IP 64														
Elastomer coupling (recommended product type – validate sizing with cymex®)			ELC-0150BA032.000-X														
Bore diameter of coupling on the application side		mm	X = 019.000 - 036.000														
Mass moment of inertia (relates to the drive) Clamping hub diameter [mm]	E	19	$J_1$	kgcm <sup>2</sup>	1.7	1.7	1.7	1.7	1.7	1.7	1.7	1.7	1.7	1.7	1.7	1.7	
				10 <sup>-3</sup> in.lb.s <sup>2</sup>	1.5	1.5	1.5	1.5	1.5	1.5	1.5	1.5	1.5	1.5	1.5	1.5	1.5

Please use our sizing software cymex® for a detailed sizing – [www.wittenstein-cymex.com](http://www.wittenstein-cymex.com)  
Please consider the maximal tilting moment caused by the motor  $M_{1KMot}$  – see sizing

<sup>a)</sup> Valid for torque transmission only

<sup>b)</sup> Valid for standard clamping hub diameter

<sup>c)</sup> Refers to center of the output shaft or flange

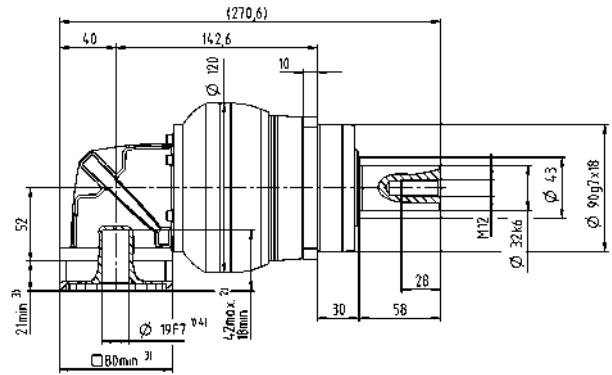
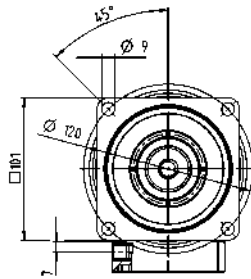
<sup>d)</sup> Please reduce input speed at higher ambient temperatures

<sup>e)</sup> Valid for: Smooth shaft

Motor shaft diameter [mm]

# 3-stage

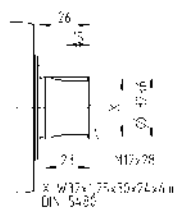
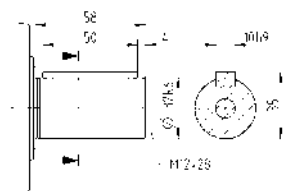
up to 19<sup>4)</sup> (E)<sup>5)</sup>  
clamping hub diameter



## Other output variants

Shaft with key

Splined shaft (DIN 5480)



Non-tolerated dimensions are nominal dimensions

<sup>1)</sup> Check motor shaft fit

<sup>2)</sup> Min. / Max. permissible motor shaft length

Longer motor shafts are possible, please contact alpha

<sup>3)</sup> The dimensions depend on the motor

<sup>4)</sup> Smaller motor shaft diameter is compensated by a bushing with a minimum wall thickness of 1 mm

<sup>5)</sup> Standard clamping hub diameter

# NPSK 045 MF 3-stage

			3-stage					
Ratio	i		25	32	50	64	100	
Max. torque <sup>a) b) e)</sup>	$T_{2a}$	Nm	700	640	700	640	640	
		in.lb	6196	5665	6196	5665	5665	
Max. acceleration torque <sup>e)</sup> (max. 1000 cycles per hour)	$T_{2B}$	Nm	500	400	500	400	400	
		in.lb	4425	3540	4425	3540	3540	
Emergency stop torque <sup>a) b) e)</sup> (permitted 1000 times during the service life of the gearbox)	$T_{2Not}$	Nm	1000	1000	1000	1000	1000	
		in.lb	8851	8851	8851	8851	8851	
Permitted average input speed <sup>d)</sup> (at $T_{2N}$ and 20 °C ambient temperature)	$n_{1N}$	rpm	2000	2000	2000	2000	2000	
Max. input speed	$n_{1Max}$	rpm	4500	4500	4500	4500	4500	
Mean no load running torque <sup>b)</sup> (at $n_1=3000$ rpm and 20 °C gearbox temperature)	$T_{012}$	Nm	4.7	4.7	4.7	4.7	4.7	
		in.lb	42	42	42	42	42	
Max. backlash	$j_l$	arcmin	≤ 11					
Torsional rigidity <sup>b)</sup>	$C_{t21}$	Nm/arcmin	54	54	54	54	54	
		in.lb/arcmin	478	478	478	478	478	
Max. axial force <sup>c)</sup>	$F_{2AMax}$	N	9870					
		lb <sub>f</sub>	2221					
Max. lateral force <sup>c)</sup>	$F_{2QMax}$	N	9900					
		lb <sub>f</sub>	2228					
Max. tilting moment	$M_{2KMMax}$	Nm	952					
		in.lb	8426					
Efficiency at full load	$\eta$	%	94					
Service life	$L_n$	h	> 20000					
Weight (incl. standard adapter plate)	$m$	kg	21					
		lb <sub>m</sub>	46					
Operating noise (at reference ratio and reference speed – ratio-specific values available in cymex®)	$L_{PA}$	dB(A)	≤ 74					
Max. permitted housing temperature		°C	+90					
		°F	+194					
Ambient temperature		°C	0 to +40					
		°F	+32 to +104					
Lubrication			Lubricated for life					
Direction of rotation			In- and output same direction					
Protection class			IP 64					
Elastomer coupling (recommended product type – validate sizing with cymex®)			ELC-0300BA040.000-X					
Bore diameter of coupling on the application side		mm	X = 020.000 - 045.000					
Mass moment of inertia (relates to the drive) Clamping hub diameter [mm]	H 28	$J_1$	kgcm <sup>2</sup>	6.7	6.7	6.7	6.7	6.7
			10 <sup>-3</sup> in.lb.s <sup>2</sup>	5.9	5.9	5.9	5.9	5.9

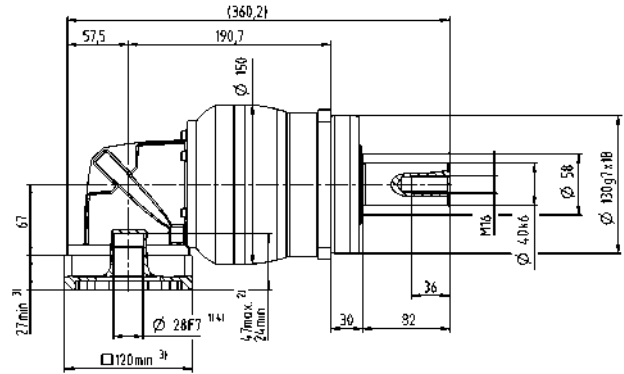
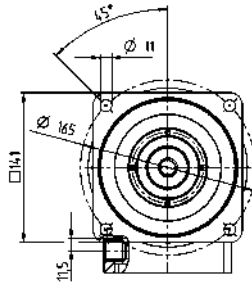
Please use our sizing software cymex® for a detailed sizing – [www.wittenstein-cymex.com](http://www.wittenstein-cymex.com)  
Please consider the maximal tilting moment caused by the motor  $M_{1KMot}$  – see sizing

- <sup>a)</sup> Valid for torque transmission only
- <sup>b)</sup> Valid for standard clamping hub diameter
- <sup>c)</sup> Refers to center of the output shaft or flange
- <sup>d)</sup> Please reduce input speed at higher ambient temperatures
- <sup>e)</sup> Valid for: Smooth shaft

Motor shaft diameter [mm]

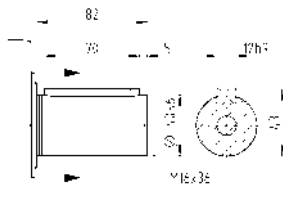
# 3-stage

up to 28<sup>4)</sup> (H)<sup>5)</sup>  
clamping hub diameter

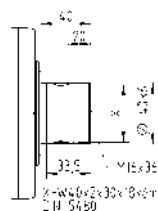


## Other output variants

Shaft with key



Splined shaft (DIN 5480)



Non-tolerated dimensions are nominal dimensions

<sup>1)</sup> Check motor shaft fit

<sup>2)</sup> Min. / Max. permissible motor shaft length

Longer motor shafts are possible, please contact alpha

<sup>3)</sup> The dimensions depend on the motor

<sup>4)</sup> Smaller motor shaft diameter is compensated

by a bushing with a minimum wall thickness of 1 mm

<sup>5)</sup> Standard clamping hub diameter

# NPTK 005 MF 2- / 3-stage

			2-stage					3-stage									
Ratio	i		4	5	7	8	10	16	20	25	28	35	40	50	64	70	100
Max. torque <sup>a) b)</sup>	$T_{2a}$	Nm	14	17	22	21	21	18	18	22	18	22	18	22	21	22	21
		in.lb	124	150	195	186	186	159	159	195	159	195	159	195	186	195	186
Max. acceleration torque (max. 1000 cycles per hour)	$T_{2B}$	Nm	6.8	8.5	12	13	13	11	11	13	11	13	11	13	13	13	13
		in.lb	60	75	106	115	115	97	97	115	97	115	97	115	115	115	115
Emergency stop torque <sup>a) b)</sup> (permitted 1000 times during the service life of the gearbox)	$T_{2Not}$	Nm	17	21	26	26	26	26	26	26	26	26	26	26	26	26	26
		in.lb	150	186	230	230	230	230	230	230	230	230	230	230	230	230	230
Permitted average input speed <sup>d)</sup> (at $T_{2N}$ and 20 °C ambient temperature)	$n_{1N}$	rpm	3800	3800	3800	3800	3800	3800	3800	3800	3800	3800	3800	3800	3800	3800	3800
Max. input speed	$n_{1Max}$	rpm	5000	5000	5000	5000	5000	5000	5000	5000	5000	5000	5000	5000	5000	5000	5000
Mean no load running torque <sup>b)</sup> (at $n_1=3000$ rpm and 20 °C gearbox temperature)	$T_{012}$	Nm	0.26	0.26	0.26	0.26	0.26	0.22	0.22	0.22	0.22	0.22	0.22	0.22	0.22	0.22	0.22
		in.lb	2.3	2.3	2.3	2.3	2.3	1.9	1.9	1.9	1.9	1.9	1.9	1.9	1.9	1.9	1.9
Max. backlash	$j_i$	arcmin	≤ 15					≤ 15									
Torsional rigidity <sup>b)</sup>	$C_{t21}$	Nm/arcmin	0.9	0.9	0.9	0.9	0.9	1.2	1.2	1.2	1.2	1.2	1.2	1.2	1.2	1.2	1.2
		in.lb/arcmin	8	8	8	8	8	11	11	11	11	11	11	11	11	11	11
Max. axial force <sup>c)</sup>	$F_{2AMax}$	N	600					600									
		lb <sub>f</sub>	135					135									
Max. tilting moment	$M_{2KMMax}$	Nm	17					17									
		in.lb	150					150									
Efficiency at full load	$\eta$	%	95					94									
Service life	$L_h$	h	> 20000					> 20000									
Weight (incl. standard adapter plate)	m	kg	1.3					1.7									
		lb <sub>m</sub>	2.9					3.8									
Operating noise (at reference ratio and reference speed – ratio-specific values available in cymex®)	$L_{pA}$	dB(A)	≤ 68					≤ 68									
Max. permitted housing temperature		°C	+90					+90									
		°F	+194					+194									
Ambient temperature		°C	0 to +40					0 to +40									
		°F	+32 to +104					+32 to +104									
Lubrication			Lubricated for life														
Direction of rotation			In- and output same direction														
Protection class			IP 64														
Elastomer coupling (recommended product type – validate sizing with cymex®)			ELT-00020BAX-025.00														
Bore diameter of coupling on the application side		mm	X = 008.000 - 025.000														
Mass moment of inertia (relates to the drive) Clamping hub diameter [mm]	B	11	$J_1$	kgcm <sup>2</sup>	0.11	0.11	0.11	0.11	0.11	0.11	0.11	0.11	0.11	0.11	0.11	0.11	0.11
				10 <sup>-3</sup> in.lb.s <sup>2</sup>	0.1	0.1	0.1	0.1	0.1	0.1	0.1	0.1	0.1	0.1	0.1	0.1	0.1

Please use our sizing software cymex® for a detailed sizing – [www.wittenstein-cymex.com](http://www.wittenstein-cymex.com)  
Please consider the maximal tilting moment caused by the motor  $M_{1KMot}$  – see sizing

<sup>a)</sup> Valid for torque transmission only

<sup>b)</sup> Valid for standard clamping hub diameter

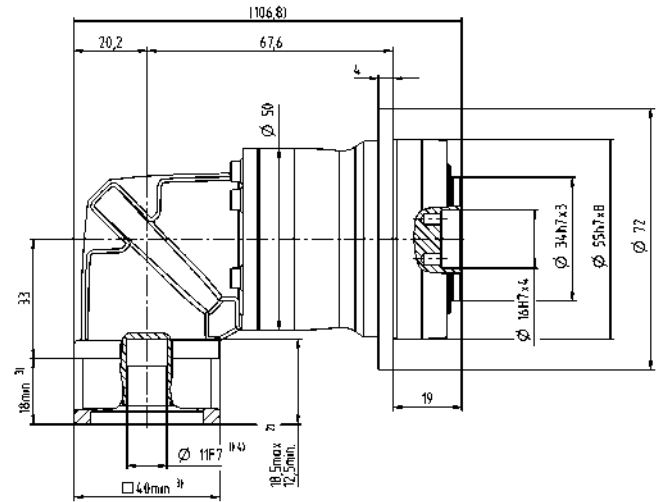
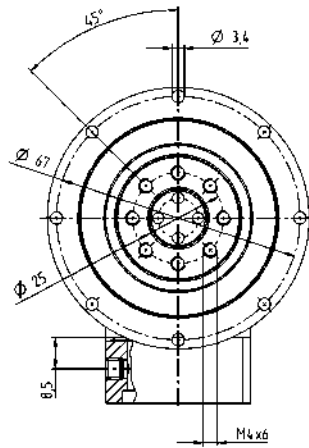
<sup>c)</sup> Refers to center of the output shaft or flange

<sup>d)</sup> Please reduce input speed at higher ambient temperatures



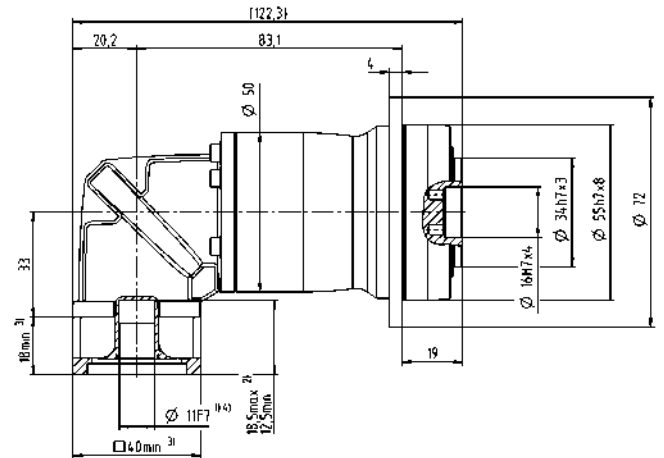
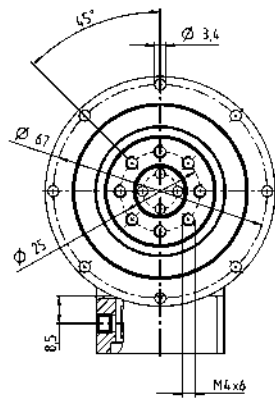
# 2-stage

up to 11<sup>4)</sup> (B)<sup>5)</sup>  
clamping hub  
diameter



# 3-stage

up to 11<sup>4)</sup> (B)<sup>5)</sup>  
clamping hub  
diameter



Motor shaft diameter [mm]

Non-tolerated dimensions are nominal dimensions

<sup>1)</sup> Check motor shaft fit

<sup>2)</sup> Min. / Max. permissible motor shaft length

Longer motor shafts are possible, please contact alpha

<sup>3)</sup> The dimensions depend on the motor

<sup>4)</sup> Smaller motor shaft diameter is compensated

by a bushing with a minimum wall thickness of 1 mm

<sup>5)</sup> Standard clamping hub diameter

# NPTK 015 MF 2-stage

			2-stage							
Ratio	i		3	4	5	7	8	10		
Max. torque <sup>a) b)</sup>	$T_{2a}$	Nm	33	44	55	60	56	56		
		in.lb	292	389	487	531	496	496		
Max. acceleration torque (max. 1000 cycles per hour)	$T_{2B}$	Nm	16	21	27	37	35	35		
		in.lb	142	186	239	327	310	310		
Emergency stop torque <sup>a) b)</sup> (permitted 1000 times during the service life of the gearbox)	$T_{2Not}$	Nm	41	55	69	75	75	75		
		in.lb	363	487	611	664	664	664		
Permitted average input speed <sup>d)</sup> (at $T_{2a}$ and 20 °C ambient temperature)	$n_{1N}$	rpm	3300	3300	3300	3300	3300	3300		
Max. input speed	$n_{1Max}$	rpm	5000	5000	5000	5000	5000	5000		
Mean no load running torque <sup>b)</sup> (at $n_1=3000$ rpm and 20 °C gearbox temperature)	$T_{012}$	Nm	0.55	0.55	0.55	0.55	0.55	0.55		
		in.lb	4.9	4.9	4.9	4.9	4.9	4.9		
Max. backlash	$j_t$	arcmin	≤ 15							
Torsional rigidity <sup>b)</sup>	$C_{t21}$	Nm/arcmin	2.4	2.4	2.4	2.4	2.4	2.4		
		in.lb/arcmin	21	21	21	21	21	21		
Max. axial force <sup>c)</sup>	$F_{2AMax}$	N	1380							
		lb <sub>f</sub>	311							
Max. tilting moment	$M_{2KMax}$	Nm	42							
		in.lb	372							
Efficiency at full load	$\eta$	%	95							
Service life	$L_n$	h	> 20000							
Weight (incl. standard adapter plate)	m	kg	2.4							
		lb <sub>m</sub>	5.3							
Operating noise (at reference ratio and reference speed – ratio-specific values available in cymex®)	$L_{PA}$	dB(A)	≤ 70							
Max. permitted housing temperature		°C	+90							
		°F	+194							
Ambient temperature		°C	0 to +40							
		°F	+32 to +104							
Lubrication			Lubricated for life							
Direction of rotation			In- and output same direction							
Protection class			IP 64							
Elastomer coupling (recommended product type – validate sizing with cymex®)			ELT-00060BAX-031.50							
Bore diameter of coupling on the application side		mm	X = 018.000 - 032.000							
Mass moment of inertia (relates to the drive) Clamping hub diameter [mm]	C	14	$J_1$	kgcm <sup>2</sup>	0.34	0.34	0.34	0.34	0.34	0.34
				10 <sup>-3</sup> in.lb.s <sup>2</sup>	0.3	0.3	0.3	0.3	0.3	0.3

Please use our sizing software cymex® for a detailed sizing – [www.wittenstein-cymex.com](http://www.wittenstein-cymex.com)  
Please consider the maximal tilting moment caused by the motor  $M_{1KMot}$  – see sizing

<sup>a)</sup> Valid for torque transmission only

<sup>b)</sup> Valid for standard clamping hub diameter

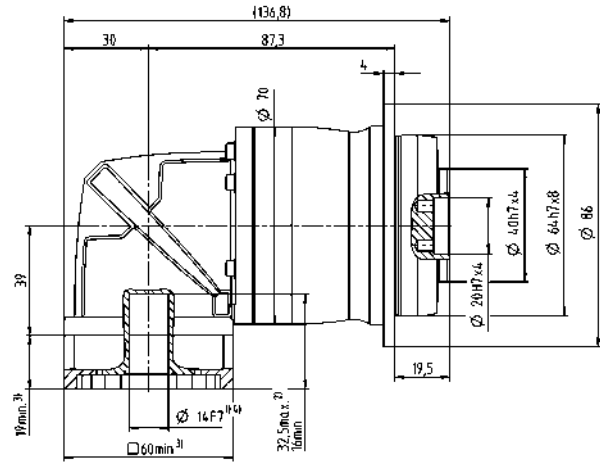
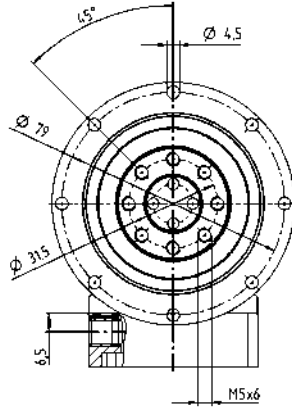
<sup>c)</sup> Refers to center of the output shaft or flange

<sup>d)</sup> Please reduce input speed at higher ambient temperatures

Motor shaft diameter [mm]

# 2-stage

up to 14<sup>4)</sup> (C)<sup>5)</sup>  
clamping hub  
diameter



Non-tolerated dimensions are nominal dimensions

<sup>1)</sup> Check motor shaft fit

<sup>2)</sup> Min. / Max. permissible motor shaft length

Longer motor shafts are possible, please contact alpha

<sup>3)</sup> The dimensions depend on the motor

<sup>4)</sup> Smaller motor shaft diameter is compensated by a bushing with a minimum wall thickness of 1 mm

<sup>5)</sup> Standard clamping hub diameter

# NPTK 015 MF 3-stage

			3-stage													
Ratio	i		12	15	16	20	25	28	30	32	35	40	50	64	70	100
Max. torque <sup>a) b)</sup>	$T_{2a}$	Nm	42	51	56	56	60	56	51	56	60	56	60	56	60	56
		in.lb	372	451	496	496	531	496	451	496	531	496	531	496	531	496
Max. acceleration torque (max. 1000 cycles per hour)	$T_{2B}$	Nm	20	25	27	34	40	35	31	35	40	35	40	35	40	35
		in.lb	177	221	239	301	354	310	274	310	354	310	354	310	354	310
Emergency stop torque <sup>a) b)</sup> (permitted 1000 times during the service life of the gearbox)	$T_{2Not}$	Nm	52	65	70	75	75	75	75	75	75	75	75	75	75	75
		in.lb	460	575	620	664	664	664	664	664	664	664	664	664	664	664
Permitted average input speed <sup>d)</sup> (at $T_{2a}$ and 20 °C ambient temperature)	$n_{1N}$	rpm	3800	3800	3800	3800	3800	3800	3800	3800	3800	3800	3800	3800	3800	3800
Max. input speed	$n_{1Max}$	rpm	5000	5000	5000	5000	5000	5000	5000	5000	5000	5000	5000	5000	5000	5000
Mean no load running torque <sup>b)</sup> (at $n_1=3000$ rpm and 20 °C gearbox temperature)	$T_{012}$	Nm	0.26	0.26	0.26	0.26	0.26	0.26	0.26	0.26	0.26	0.26	0.26	0.26	0.26	0.26
		in.lb	2.3	2.3	2.3	2.3	2.3	2.3	2.3	2.3	2.3	2.3	2.3	2.3	2.3	2.3
Max. backlash	$j_t$	arcmin	≤ 12													
Torsional rigidity <sup>b)</sup>	$C_{121}$	Nm/arcmin	3	3	3	3	3	3	3	3	3	3	3	3	3	3
		in.lb/arcmin	27	27	27	27	27	27	27	27	27	27	27	27	27	27
Max. axial force <sup>c)</sup>	$F_{2AMax}$	N	1380													
		lb <sub>f</sub>	311													
Max. tilting moment	$M_{2KMax}$	Nm	42													
		in.lb	372													
Efficiency at full load	$\eta$	%	94													
Service life	$L_n$	h	> 20000													
Weight (incl. standard adapter plate)	m	kg	2.5													
		lb <sub>m</sub>	5.5													
Operating noise (at reference ratio and reference speed – ratio-specific values available in cymex®)	$L_{PA}$	dB(A)	≤ 68													
Max. permitted housing temperature		°C	+90													
		°F	+194													
Ambient temperature		°C	0 to +40													
		°F	+32 to +104													
Lubrication			Lubricated for life													
Direction of rotation			In- and output same direction													
Protection class			IP 64													
Elastomer coupling (recommended product type – validate sizing with cymex®)			ELT-00060BAX-031.50													
Bore diameter of coupling on the application side		mm	X = 018.000 - 032.000													
Mass moment of inertia (relates to the drive) Clamping hub diameter [mm]	B	11	$J_1$	kgcm <sup>2</sup>	0.16	0.16	0.16	0.16	0.16	0.16	0.16	0.16	0.16	0.16	0.16	0.16
				10 <sup>-3</sup> in.lb.s <sup>2</sup>	0.14	0.14	0.14	0.14	0.14	0.14	0.14	0.14	0.14	0.14	0.14	0.14

Please use our sizing software cymex® for a detailed sizing – [www.wittenstein-cymex.com](http://www.wittenstein-cymex.com)  
Please consider the maximal tilting moment caused by the motor  $M_{1KMot}$  – see sizing

<sup>a)</sup> Valid for torque transmission only

<sup>b)</sup> Valid for standard clamping hub diameter

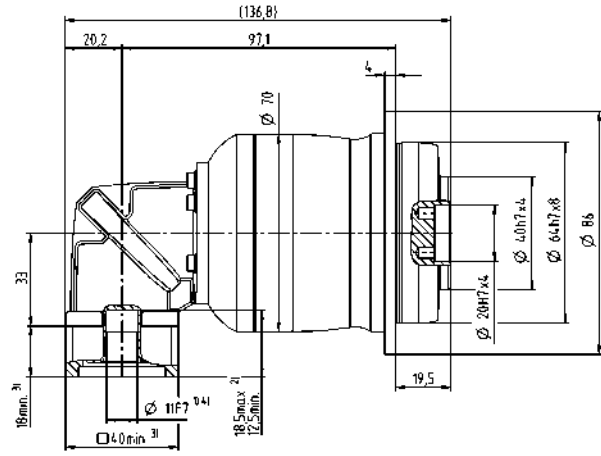
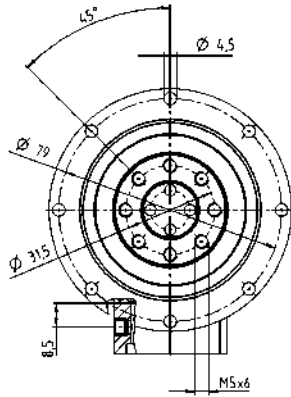
<sup>c)</sup> Refers to center of the output shaft or flange

<sup>d)</sup> Please reduce input speed at higher ambient temperatures

Motor shaft diameter [mm]

# 3-stage

up to 11<sup>4)</sup> (B)<sup>5)</sup>  
clamping hub diameter



Non-tolerated dimensions are nominal dimensions

<sup>1)</sup> Check motor shaft fit

<sup>2)</sup> Min. / Max. permissible motor shaft length

Longer motor shafts are possible, please contact alpha

<sup>3)</sup> The dimensions depend on the motor

<sup>4)</sup> Smaller motor shaft diameter is compensated by a bushing with a minimum wall thickness of 1 mm

<sup>5)</sup> Standard clamping hub diameter

# NPTK 025 MF 2-stage

			2-stage						
Ratio	i		3	4	5	7	8	10	
Max. torque <sup>a) b)</sup>	$T_{2a}$	Nm	60	80	100	140	144	144	
		in.lb	531	708	885	1239	1275	1275	
Max. acceleration torque (max. 1000 cycles per hour)	$T_{2B}$	Nm	35	47	58	82	90	90	
		in.lb	310	416	513	726	797	797	
Emergency stop torque <sup>a) b)</sup> (permitted 1000 times during the service life of the gearbox)	$T_{2Not}$	Nm	90	120	150	190	190	190	
		in.lb	797	1062	1328	1682	1682	1682	
Permitted average input speed <sup>d)</sup> (at $T_{2a}$ and 20 °C ambient temperature)	$n_{1N}$	rpm	3000	3000	3000	3000	3000	3000	
Max. input speed	$n_{1Max}$	rpm	5000	5000	5000	5000	5000	5000	
Mean no load running torque <sup>b)</sup> (at $n_1=3000$ rpm and 20 °C gearbox temperature)	$T_{012}$	Nm	1	1	1	1	1	1	
		in.lb	8.9	8.9	8.9	8.9	8.9	8.9	
Max. backlash	$j_t$	arcmin	≤ 15						
Torsional rigidity <sup>b)</sup>	$C_{t21}$	Nm/arcmin	6.2	6.2	6.2	6.2	6.2	6.2	
		in.lb/arcmin	55	55	55	55	55	55	
Max. axial force <sup>c)</sup>	$F_{2AMax}$	N	1900						
		lb <sub>f</sub>	428						
Max. tilting moment	$M_{2KMax}$	Nm	79						
		in.lb	699						
Efficiency at full load	$\eta$	%	95						
Service life	$L_n$	h	> 20000						
Weight (incl. standard adapter plate)	m	kg	5.5						
		lb <sub>m</sub>	12						
Operating noise (at reference ratio and reference speed – ratio-specific values available in cymex <sup>®</sup> )	$L_{PA}$	dB(A)	≤ 73						
Max. permitted housing temperature		°C	+90						
		°F	+194						
Ambient temperature		°C	0 to +40						
		°F	+32 to +104						
Lubrication			Lubricated for life						
Direction of rotation			In- and output same direction						
Protection class			IP 64						
Elastomer coupling (recommended product type – validate sizing with cymex <sup>®</sup> )			ELT-00150BAX-050.00						
Bore diameter of coupling on the application side		mm	X = 024.000 - 036.000						
Mass moment of inertia (relates to the drive) Clamping hub diameter [mm]	E 19	$J_1$	kgcm <sup>2</sup>	1.3	1.3	1.3	1.3	1.3	1.3
			10 <sup>-3</sup> in.lb.s <sup>2</sup>	1.2	1.2	1.2	1.2	1.2	1.2

Please use our sizing software cymex<sup>®</sup> for a detailed sizing – [www.wittenstein-cymex.com](http://www.wittenstein-cymex.com)  
Please consider the maximal tilting moment caused by the motor  $M_{1KMot}$  – see sizing

<sup>a)</sup> Valid for torque transmission only

<sup>b)</sup> Valid for standard clamping hub diameter

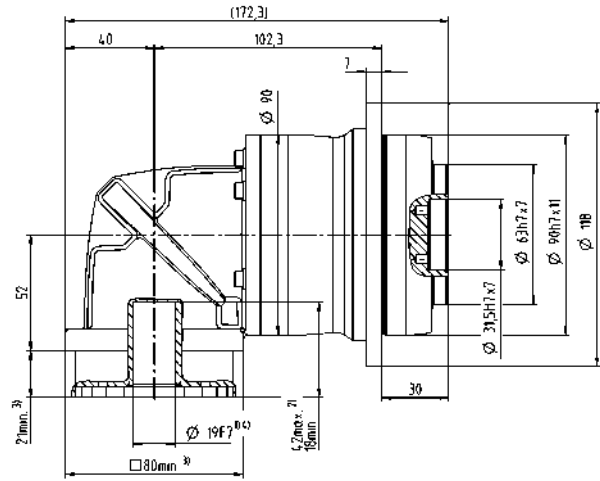
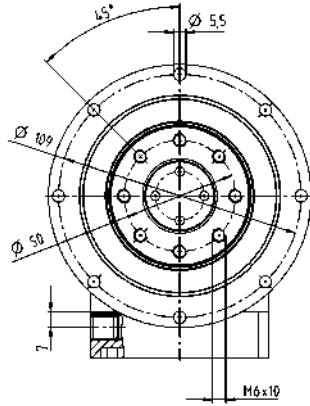
<sup>c)</sup> Refers to center of the output shaft or flange

<sup>d)</sup> Please reduce input speed at higher ambient temperatures

Motor shaft diameter [mm]

# 2-stage

up to 19<sup>4)</sup> (E)<sup>5)</sup>  
clamping hub diameter



Non-tolerated dimensions are nominal dimensions

<sup>1)</sup> Check motor shaft fit

<sup>2)</sup> Min. / Max. permissible motor shaft length

Longer motor shafts are possible, please contact alpha

<sup>3)</sup> The dimensions depend on the motor

<sup>4)</sup> Smaller motor shaft diameter is compensated by a bushing with a minimum wall thickness of 1 mm

<sup>5)</sup> Standard clamping hub diameter

# NPTK 025 MF 3-stage

				3-stage														
Ratio	i			9	12	15	16	20	25	28	30	32	35	40	50	64	70	100
Max. torque <sup>a) b)</sup>	$T_{2a}$	<i>Nm</i>		99	128	128	152	152	160	152	128	152	160	152	160	144	160	144
		<i>in.lb</i>		876	1133	1133	1345	1345	1416	1345	1133	1345	1416	1345	1416	1275	1416	1275
Max. acceleration torque (max. 1000 cycles per hour)	$T_{2B}$	<i>Nm</i>		48	65	80	86	95	100	95	80	95	100	95	100	90	100	90
		<i>in.lb</i>		425	575	708	761	841	885	841	708	841	885	841	885	797	885	797
Emergency stop torque <sup>a) b)</sup> (permitted 1000 times during the service life of the gearbox)	$T_{2Not}$	<i>Nm</i>		124	166	190	190	190	190	190	190	190	190	190	190	190	190	190
		<i>in.lb</i>		1097	1469	1682	1682	1682	1682	1682	1682	1682	1682	1682	1682	1682	1682	1682
Permitted average input speed <sup>d)</sup> (at $T_{2a}$ and 20 °C ambient temperature)	$n_{1N}$	<i>rpm</i>		3300	3300	3300	3300	3300	3300	3300	3300	3300	3300	3300	3300	3300	3300	
Max. input speed	$n_{1Max}$	<i>rpm</i>		5000	5000	5000	5000	5000	5000	5000	5000	5000	5000	5000	5000	5000	5000	
Mean no load running torque <sup>b)</sup> (at $n_1 = 3000$ rpm and 20 °C gearbox temperature)	$T_{012}$	<i>Nm</i>		0.46	0.46	0.46	0.46	0.46	0.46	0.46	0.46	0.46	0.46	0.46	0.46	0.46	0.46	
		<i>in.lb</i>		4.1	4.1	4.1	4.1	4.1	4.1	4.1	4.1	4.1	4.1	4.1	4.1	4.1	4.1	
Max. backlash	$j_t$	<i>arcmin</i>		≤ 13														
Torsional rigidity <sup>b)</sup>	$C_{t21}$	<i>Nm/arcmin</i>		8.4	8.4	8.4	8.4	8.4	8.4	8.4	8.4	8.4	8.4	8.4	8.4	8.4	8.4	
		<i>in.lb/arcmin</i>		74	74	74	74	74	74	74	74	74	74	74	74	74	74	
Max. axial force <sup>c)</sup>	$F_{2AMax}$	<i>N</i>		1900														
		<i>lb<sub>f</sub></i>		428														
Max. tilting moment	$M_{2KMax}$	<i>Nm</i>		79														
		<i>in.lb</i>		699														
Efficiency at full load	$\eta$	<i>%</i>		94														
Service life	$L_n$	<i>h</i>		> 20000														
Weight (incl. standard adapter plate)	$m$	<i>kg</i>		5.1														
		<i>lb<sub>m</sub></i>		11														
Operating noise (at reference ratio and reference speed – ratio-specific values available in cymex®)	$L_{PA}$	<i>dB(A)</i>		≤ 70														
Max. permitted housing temperature		<i>°C</i>		+90														
		<i>°F</i>		+194														
Ambient temperature		<i>°C</i>		0 to +40														
		<i>°F</i>		+32 to +104														
Lubrication				Lubricated for life														
Direction of rotation				In- and output same direction														
Protection class				IP 64														
Elastomer coupling (recommended product type – validate sizing with cymex®)				ELT-00150BAX-050.00														
Bore diameter of coupling on the application side		<i>mm</i>		X = 024.000 - 036.000														
Mass moment of inertia (relates to the drive) Clamping hub diameter [mm]	C	14	$J_1$	<i>kgcm<sup>2</sup></i>	0.52	0.52	0.52	0.52	0.52	0.52	0.52	0.52	0.52	0.52	0.52	0.52	0.52	
				<i>10<sup>-3</sup> in.lb.s<sup>2</sup></i>	0.46	0.46	0.46	0.46	0.46	0.46	0.46	0.46	0.46	0.46	0.46	0.46	0.46	0.46

Please use our sizing software cymex® for a detailed sizing – [www.wittenstein-cymex.com](http://www.wittenstein-cymex.com)  
Please consider the maximal tilting moment caused by the motor  $M_{1KMot}$  – see sizing

<sup>a)</sup> Valid for torque transmission only

<sup>b)</sup> Valid for standard clamping hub diameter

<sup>c)</sup> Refers to center of the output shaft or flange

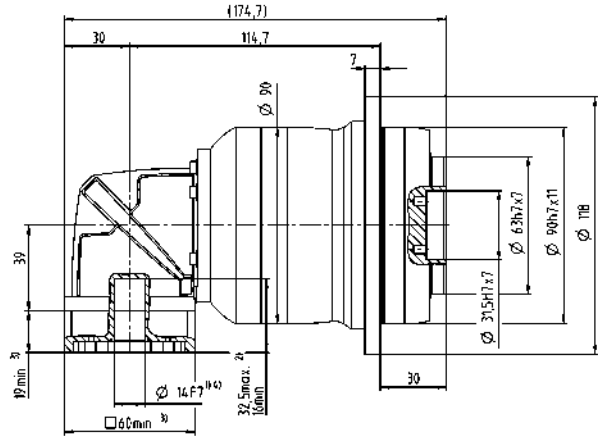
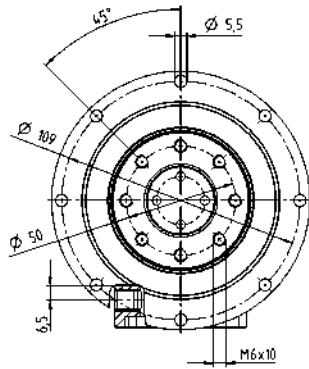
<sup>d)</sup> Please reduce input speed at higher ambient temperatures



Motor shaft diameter [mm]

# 3-stage

up to 14<sup>4)</sup> (C)<sup>5)</sup>  
clamping hub diameter



Non-tolerated dimensions are nominal dimensions

<sup>1)</sup> Check motor shaft fit

<sup>2)</sup> Min. / Max. permissible motor shaft length

Longer motor shafts are possible, please contact alpha

<sup>3)</sup> The dimensions depend on the motor

<sup>4)</sup> Smaller motor shaft diameter is compensated by a bushing with a minimum wall thickness of 1 mm

<sup>5)</sup> Standard clamping hub diameter

# NPTK 035 MF 2-stage

			2-stage							
Ratio	i		3	4	5	7	8	10		
Max. torque <sup>a) b)</sup>	$T_{2a}$	Nm	150	200	250	350	352	352		
		in.lb	1328	1770	2213	3098	3115	3115		
Max. acceleration torque (max. 1000 cycles per hour)	$T_{2B}$	Nm	93	124	155	217	220	220		
		in.lb	823	1097	1372	1921	1947	1947		
Emergency stop torque <sup>a) b)</sup> (permitted 1000 times during the service life of the gearbox)	$T_{2Not}$	Nm	238	318	397	480	480	480		
		in.lb	2106	2815	3514	4248	4248	4248		
Permitted average input speed <sup>d)</sup> (at $T_{2a}$ and 20 °C ambient temperature)	$n_{1N}$	rpm	2000	2000	2000	2000	2000	2000		
Max. input speed	$n_{1Max}$	rpm	4500	4500	4500	4500	4500	4500		
Mean no load running torque <sup>b)</sup> (at $n_1=3000$ rpm and 20 °C gearbox temperature)	$T_{012}$	Nm	4.2	4.2	4.2	4.2	4.2	4.2		
		in.lb	37	37	37	37	37	37		
Max. backlash	$j_t$	arcmin	≤ 13							
Torsional rigidity <sup>b)</sup>	$C_{t21}$	Nm/arcmin	16	16	16	16	16	16		
		in.lb/arcmin	142	142	142	142	142	142		
Max. axial force <sup>c)</sup>	$F_{2AMax}$	N	3500							
		lb <sub>f</sub>	788							
Max. tilting moment	$M_{2KMax}$	Nm	134							
		in.lb	1186							
Efficiency at full load	$\eta$	%	95							
Service life	$L_n$	h	> 20000							
Weight (incl. standard adapter plate)	m	kg	11							
		lb <sub>m</sub>	24							
Operating noise (at reference ratio and reference speed – ratio-specific values available in cymex®)	$L_{PA}$	dB(A)	≤ 74							
Max. permitted housing temperature		°C	+90							
		°F	+194							
Ambient temperature		°C	0 to +40							
		°F	+32 to +104							
Lubrication			Lubricated for life							
Direction of rotation			In- and output same direction							
Protection class			IP 64							
Elastomer coupling (recommended product type – validate sizing with cymex®)			ELT-00300BAX-063.00							
Bore diameter of coupling on the application side		mm	X = 035.000 - 045.000							
Mass moment of inertia (relates to the drive) Clamping hub diameter [mm]	H	28	$J_1$	kgcm <sup>2</sup>	5.5	5.5	5.5	5.5	5.5	5.5
				10 <sup>-3</sup> in.lb.s <sup>2</sup>	4.9	4.9	4.9	4.9	4.9	4.9

Please use our sizing software cymex® for a detailed sizing – [www.wittenstein-cymex.com](http://www.wittenstein-cymex.com)  
Please consider the maximal tilting moment caused by the motor  $M_{1KMot}$  – see sizing

<sup>a)</sup> Valid for torque transmission only

<sup>b)</sup> Valid for standard clamping hub diameter

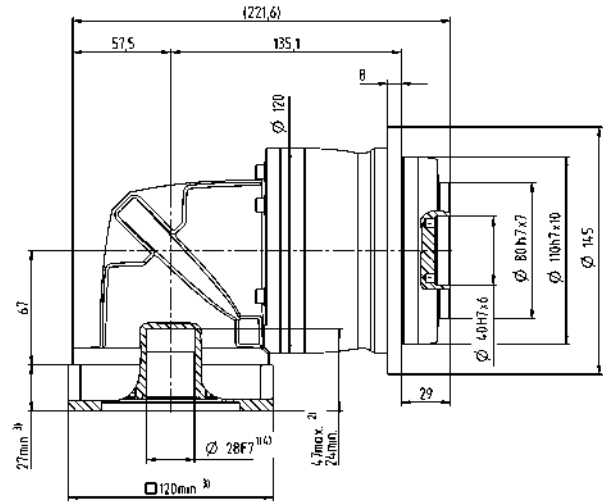
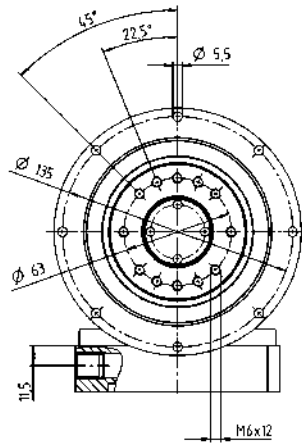
<sup>c)</sup> Refers to center of the output shaft or flange

<sup>d)</sup> Please reduce input speed at higher ambient temperatures

Motor shaft diameter [mm]

# 2-stage

up to 28<sup>4)</sup> (H)<sup>5)</sup>  
clamping hub diameter



Non-tolerated dimensions are nominal dimensions

<sup>1)</sup> Check motor shaft fit

<sup>2)</sup> Min. / Max. permissible motor shaft length

Longer motor shafts are possible, please contact alpha

<sup>3)</sup> The dimensions depend on the motor

<sup>4)</sup> Smaller motor shaft diameter is compensated by a bushing with a minimum wall thickness of 1 mm

<sup>5)</sup> Standard clamping hub diameter

# NPTK 035 MF 3-stage

			3-stage															
Ratio	i		9	12	15	16	20	25	28	30	32	35	40	50	64	70	100	
Max. torque <sup>a) b)</sup>	$T_{2a}$	Nm	180	240	300	320	365	365	365	320	365	365	365	365	352	365	352	
		in.lb	1593	2124	2655	2832	3231	3231	3231	2832	3231	3231	3231	3231	3115	3231	3115	
Max. acceleration torque (max. 1000 cycles per hour)	$T_{2B}$	Nm	105	141	176	188	235	250	255	200	255	250	255	250	220	250	220	
		in.lb	929	1248	1558	1664	2080	2213	2257	1770	2257	2213	2257	2213	1947	2213	1947	
Emergency stop torque <sup>a) b)</sup> (permitted 1000 times during the service life of the gearbox)	$T_{2Not}$	Nm	270	361	451	480	480	480	480	480	480	480	480	480	480	480	480	480
		in.lb	2390	3195	3992	4248	4248	4248	4248	4248	4248	4248	4248	4248	4248	4248	4248	4248
Permitted average input speed <sup>d)</sup> (at $T_{2a}$ and 20 °C ambient temperature)	$n_{1N}$	rpm	3000	3000	3000	3000	3000	3000	3000	3000	3000	3000	3000	3000	3000	3000	3000	
Max. input speed	$n_{1Max}$	rpm	5000	5000	5000	5000	5000	5000	5000	5000	5000	5000	5000	5000	5000	5000	5000	
Mean no load running torque <sup>b)</sup> (at $n_1=3000$ rpm and 20 °C gearbox temperature)	$T_{012}$	Nm	1.2	1.2	1.2	1.2	1.2	1.2	1.2	1.2	1.2	1.2	1.2	1.2	1.2	1.2	1.2	
		in.lb	11	11	11	11	11	11	11	11	11	11	11	11	11	11	11	11
Max. backlash	$j_t$	arcmin	≤ 13															
Torsional rigidity <sup>b)</sup>	$C_{21}$	Nm/arcmin	19	19	19	19	19	19	19	19	19	19	19	19	19	19	19	
		in.lb/arcmin	168	168	168	168	168	168	168	168	168	168	168	168	168	168	168	168
Max. axial force <sup>c)</sup>	$F_{2AMax}$	N	3500															
		lb <sub>f</sub>	788															
Max. tilting moment	$M_{2KMax}$	Nm	134															
		in.lb	1186															
Efficiency at full load	$\eta$	%	94															
Service life	$L_n$	h	> 20000															
Weight (incl. standard adapter plate)	m	kg	11															
		lb <sub>m</sub>	24															
Operating noise (at reference ratio and reference speed – ratio-specific values available in cymex <sup>®</sup> )	$L_{PA}$	dB(A)	≤ 73															
Max. permitted housing temperature		°C	+90															
		°F	+194															
Ambient temperature		°C	0 to +40															
		°F	+32 to +104															
Lubrication			Lubricated for life															
Direction of rotation			In- and output same direction															
Protection class			IP 64															
Elastomer coupling (recommended product type – validate sizing with cymex <sup>®</sup> )			ELT-00300BAX-063.00															
Bore diameter of coupling on the application side		mm	X = 035.000 - 045.000															
Mass moment of inertia (relates to the drive) Clamping hub diameter [mm]	E	19	$J_1$	kgcm <sup>2</sup>	1.9	1.9	1.9	1.9	1.9	1.9	1.9	1.9	1.9	1.9	1.9	1.9	1.9	
				10 <sup>-3</sup> in.lb.s <sup>2</sup>	1.7	1.7	1.7	1.7	1.7	1.7	1.7	1.7	1.7	1.7	1.7	1.7	1.7	1.7

Please use our sizing software cymex<sup>®</sup> for a detailed sizing – [www.wittenstein-cymex.com](http://www.wittenstein-cymex.com)  
Please consider the maximal tilting moment caused by the motor  $M_{1KMot}$  – see sizing

<sup>a)</sup> Valid for torque transmission only

<sup>b)</sup> Valid for standard clamping hub diameter

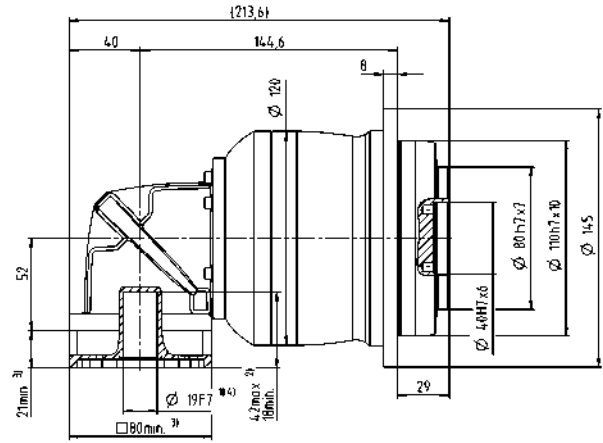
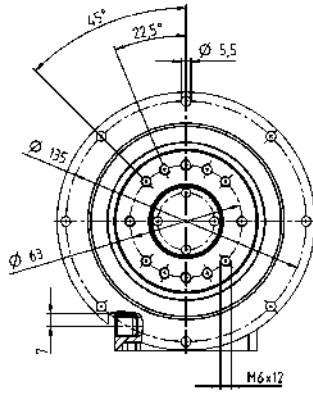
<sup>c)</sup> Refers to center of the output shaft or flange

<sup>d)</sup> Please reduce input speed at higher ambient temperatures

Motor shaft diameter [mm]

# 3-stage

up to 19<sup>4)</sup> (E)<sup>5)</sup>  
clamping hub diameter



Non-tolerated dimensions are nominal dimensions

<sup>1)</sup> Check motor shaft fit

<sup>2)</sup> Min. / Max. permissible motor shaft length

Longer motor shafts are possible, please contact alpha

<sup>3)</sup> The dimensions depend on the motor

<sup>4)</sup> Smaller motor shaft diameter is compensated by a bushing with a minimum wall thickness of 1 mm

<sup>5)</sup> Standard clamping hub diameter

# NPTK 045 MF 3-stage

			3-stage					
Ratio	i		25	32	50	64	100	
Max. torque <sup>a) b)</sup>	$T_{2a}$	Nm	700	640	700	640	640	
		in.lb	6196	5665	6196	5665	5665	
Max. acceleration torque (max. 1000 cycles per hour)	$T_{2B}$	Nm	500	400	500	400	400	
		in.lb	4425	3540	4425	3540	3540	
Emergency stop torque <sup>a) b)</sup> (permitted 1000 times during the service life of the gearbox)	$T_{2Not}$	Nm	1000	1000	1000	1000	1000	
		in.lb	8851	8851	8851	8851	8851	
Permitted average input speed <sup>d)</sup> (at $T_{2N}$ and 20 °C ambient temperature)	$n_{1N}$	rpm	2000	2000	2000	2000	2000	
Max. input speed	$n_{1Max}$	rpm	4500	4500	4500	4500	4500	
Mean no load running torque <sup>b)</sup> (at $n_1 = 3000$ rpm and 20 °C gearbox temperature)	$T_{012}$	Nm	3.1	3.1	3.1	3.1	3.1	
		in.lb	27	27	27	27	27	
Max. backlash	$j_l$	arcmin	≤ 11					
Torsional rigidity <sup>b)</sup>	$C_{t21}$	Nm/arcmin	54	54	54	54	54	
		in.lb/arcmin	478	478	478	478	478	
Max. axial force <sup>c)</sup>	$F_{2AMax}$	N	3800					
		lb <sub>f</sub>	855					
Max. tilting moment	$M_{2KMax}$	Nm	256					
		in.lb	2266					
Efficiency at full load	$\eta$	%	94					
Service life	$L_h$	h	> 20000					
Weight (incl. standard adapter plate)	m	kg	21					
		lb <sub>m</sub>	46					
Operating noise (at reference ratio and reference speed – ratio-specific values available in cymex®)	$L_{pA}$	dB(A)	≤ 74					
Max. permitted housing temperature		°C	+90					
		°F	+194					
Ambient temperature		°C	0 to +40					
		°F	+32 to +104					
Lubrication			Lubricated for life					
Direction of rotation			In- and output same direction					
Protection class			IP 64					
Elastomer coupling (recommended product type – validate sizing with cymex®)			ELT-00450BAX-080.00					
Bore diameter of coupling on the application side		mm	X = 042.000 - 060.000					
Mass moment of inertia (relates to the drive) Clamping hub diameter [mm]	H 28	$J_1$	kgcm <sup>2</sup>	7.8	7.8	7.8	7.8	7.8
			10 <sup>-3</sup> in.lb.s <sup>2</sup>	6.9	6.9	6.9	6.9	6.9

Please use our sizing software cymex® for a detailed sizing – [www.wittenstein-cymex.com](http://www.wittenstein-cymex.com)  
Please consider the maximal tilting moment caused by the motor  $M_{1KMot}$  – see sizing

<sup>a)</sup> Valid for torque transmission only

<sup>b)</sup> Valid for standard clamping hub diameter

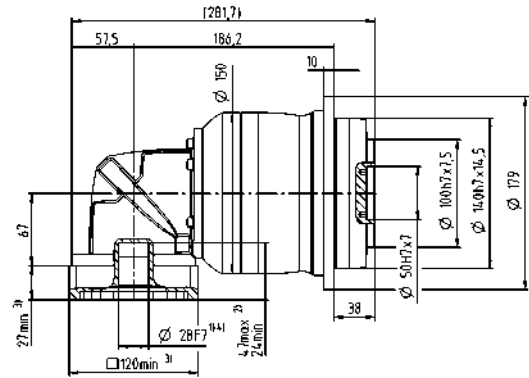
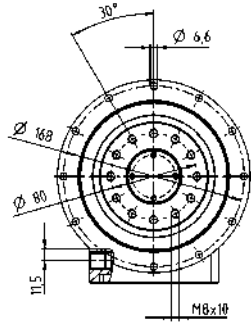
<sup>c)</sup> Refers to center of the output shaft or flange

<sup>d)</sup> Please reduce input speed at higher ambient temperatures

Motor shaft diameter [mm]

# 3-stage

up to 28<sup>4)</sup> (H)<sup>5)</sup>  
clamping hub  
diameter



Non-tolerated dimensions are nominal dimensions

<sup>1)</sup> Check motor shaft fit

<sup>2)</sup> Min. / Max. permissible motor shaft length

Longer motor shafts are possible, please contact alpha

<sup>3)</sup> The dimensions depend on the motor

<sup>4)</sup> Smaller motor shaft diameter is compensated by a bushing with a minimum wall thickness of 1 mm

<sup>5)</sup> Standard clamping hub diameter

# NPRK 015 MF 2-stage

			2-stage							
Ratio	i		3	4	5	7	8	10		
Max. torque <sup>a) b) e)</sup>	$T_{2a}$	Nm	33	44	55	64	56	56		
		in.lb	292	389	487	566	496	496		
Max. acceleration torque <sup>b)</sup> (max. 1000 cycles per hour)	$T_{2B}$	Nm	16	21	27	37	35	35		
		in.lb	142	186	239	327	310	310		
Emergency stop torque <sup>a) b) e)</sup> (permitted 1000 times during the service life of the gearbox)	$T_{2Not}$	Nm	41	55	69	80	80	80		
		in.lb	363	487	611	708	708	708		
Permitted average input speed <sup>d)</sup> (at $T_{2a}$ and 20 °C ambient temperature)	$n_{1N}$	rpm	2600	2800	2900	3300	3300	3300		
Max. input speed	$n_{1Max}$	rpm	5000	5000	5000	5000	5000	5000		
Mean no load running torque <sup>b)</sup> (at $n_1=3000$ rpm and 20 °C gearbox temperature)	$T_{012}$	Nm	1.2	1.2	1.2	1.2	1.2	1.2		
		in.lb	11	11	11	11	11	11		
Max. backlash	$j_t$	arcmin	≤ 15							
Torsional rigidity <sup>b)</sup>	$C_{t21}$	Nm/arcmin	2.4	2.4	2.4	2.4	2.4	2.4		
		in.lb/arcmin	21	21	21	21	21	21		
Max. axial force <sup>c)</sup>	$F_{2AMax}$	N	2400							
		lb <sub>f</sub>	540							
Max. lateral force <sup>c)</sup>	$F_{2OMax}$	N	2800							
		lb <sub>f</sub>	630							
Max. tilting moment	$M_{2KMMax}$	Nm	152							
		in.lb	1345							
Efficiency at full load	$\eta$	%	95							
Service life	$L_h$	h	> 20000							
Weight (incl. standard adapter plate)	m	kg	2.3							
		lb <sub>m</sub>	5.1							
Operating noise (at reference ratio and reference speed – ratio-specific values available in cymex®)	$L_{PA}$	dB(A)	≤ 70							
Max. permitted housing temperature		°C	+90							
		°F	+194							
Ambient temperature		°C	0 to +40							
		°F	+32 to +104							
Lubrication			Lubricated for life							
Direction of rotation			In- and output same direction							
Protection class			IP 64							
Elastomer coupling (recommended product type – validate sizing with cymex®)			ELC-0060BA016.000-X							
Bore diameter of coupling on the application side		mm	X = 012.000 - 032.000							
Mass moment of inertia (relates to the drive) Clamping hub diameter [mm]	C	14	$J_1$	kgcm <sup>2</sup>	0.32	0.32	0.32	0.32	0.32	0.32
				10 <sup>-3</sup> in.lb.s <sup>2</sup>	0.28	0.28	0.28	0.28	0.28	0.28

Please use our sizing software cymex® for a detailed sizing – [www.wittenstein-cymex.com](http://www.wittenstein-cymex.com)  
Please consider the maximal tilting moment caused by the motor  $M_{1KMot}$  – see sizing

<sup>a)</sup> Valid for torque transmission only

<sup>b)</sup> Valid for standard clamping hub diameter

<sup>c)</sup> Refers to center of the output shaft or flange

<sup>d)</sup> Please reduce input speed at higher ambient temperatures

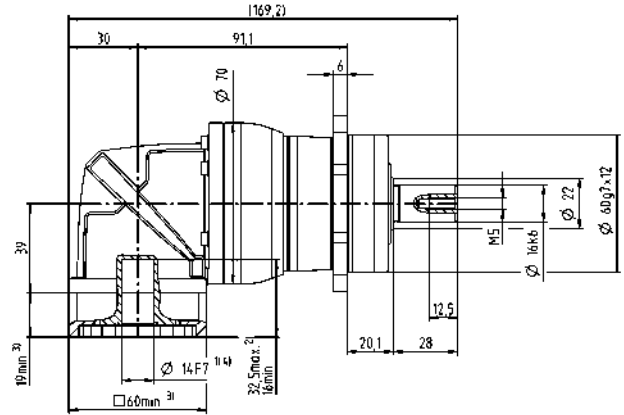
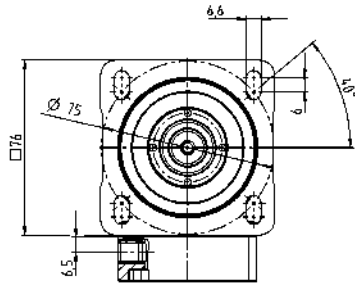
<sup>e)</sup> Valid for: Smooth shaft



Motor shaft diameter [mm]

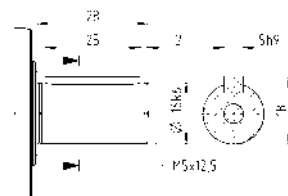
# 2-stage

up to 14<sup>4)</sup> (C)<sup>5)</sup>  
clamping hub diameter

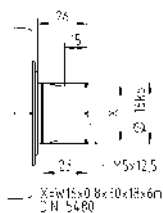


## Other output variants

Shaft with key



Splined shaft (DIN 5480)



Non-tolerated dimensions are nominal dimensions

<sup>1)</sup> Check motor shaft fit

<sup>2)</sup> Min. / Max. permissible motor shaft length

Longer motor shafts are possible, please contact alpha

<sup>3)</sup> The dimensions depend on the motor

<sup>4)</sup> Smaller motor shaft diameter is compensated

by a bushing with a minimum wall thickness of 1 mm

<sup>5)</sup> Standard clamping hub diameter

# NPRK 015 MF 3-stage

			3-stage														
Ratio	i		12	15	16	20	25	28	30	32	35	40	50	64	70	100	
Max. torque <sup>a) b) e)</sup>	$T_{2a}$	Nm	42	51	56	56	64	56	51	56	64	56	64	56	64	56	
		in.lb	372	451	496	496	566	496	451	496	566	496	566	496	566	496	
Max. acceleration torque <sup>b)</sup> (max. 1000 cycles per hour)	$T_{2B}$	Nm	20	25	27	34	40	35	31	35	40	35	40	35	40	35	
		in.lb	177	221	239	301	354	310	274	310	354	310	354	310	354	310	
Emergency stop torque <sup>a) b) e)</sup> (permitted 1000 times during the service life of the gearbox)	$T_{2Not}$	Nm	52	65	70	80	80	80	80	80	80	80	80	80	80	80	
		in.lb	460	575	620	708	708	708	708	708	708	708	708	708	708	708	
Permitted average input speed <sup>d)</sup> (at $T_{2a}$ and 20 °C ambient temperature)	$n_{1N}$	rpm	3800	3800	3800	3800	3800	3800	3800	3800	3800	3800	3800	3800	3800	3800	
Max. input speed	$n_{1Max}$	rpm	5000	5000	5000	5000	5000	5000	5000	5000	5000	5000	5000	5000	5000	5000	
Mean no load running torque <sup>b)</sup> (at $n_1=3000$ rpm and 20 °C gearbox temperature)	$T_{012}$	Nm	0.52	0.52	0.52	0.52	0.52	0.52	0.52	0.52	0.52	0.52	0.52	0.52	0.52	0.52	
		in.lb	4.6	4.6	4.6	4.6	4.6	4.6	4.6	4.6	4.6	4.6	4.6	4.6	4.6	4.6	
Max. backlash	$j_t$	arcmin	≤ 12														
Torsional rigidity <sup>b)</sup>	$C_{t21}$	Nm/arcmin	3	3	3	3	3	3	3	3	3	3	3	3	3	3	
		in.lb/arcmin	27	27	27	27	27	27	27	27	27	27	27	27	27	27	
Max. axial force <sup>c)</sup>	$F_{2AMax}$	N	2400														
		lb <sub>f</sub>	540														
Max. lateral force <sup>c)</sup>	$F_{2OMax}$	N	2800														
		lb <sub>f</sub>	630														
Max. tilting moment	$M_{2KMMax}$	Nm	152														
		in.lb	1345														
Efficiency at full load	$\eta$	%	94														
Service life	$L_h$	h	> 20000														
Weight (incl. standard adapter plate)	m	kg	2.4														
		lb <sub>m</sub>	5.3														
Operating noise (at reference ratio and reference speed – ratio-specific values available in cymex®)	$L_{PA}$	dB(A)	≤ 68														
Max. permitted housing temperature		°C	+90														
		°F	+194														
Ambient temperature		°C	0 to +40														
		°F	+32 to +104														
Lubrication			Lubricated for life														
Direction of rotation			In- and output same direction														
Protection class			IP 64														
Elastomer coupling (recommended product type – validate sizing with cymex®)			ELC-0060BA016.000-X														
Bore diameter of coupling on the application side		mm	X = 012.000 - 032.000														
Mass moment of inertia (relates to the drive) Clamping hub diameter [mm]	B	11	$J_1$	kgcm <sup>2</sup>	0.14	0.14	0.14	0.14	0.14	0.14	0.14	0.14	0.14	0.14	0.14	0.14	0.14
				10 <sup>-3</sup> in.lb.s <sup>2</sup>	0.12	0.12	0.12	0.12	0.12	0.12	0.12	0.12	0.12	0.12	0.12	0.12	0.12

Please use our sizing software cymex® for a detailed sizing – [www.wittenstein-cymex.com](http://www.wittenstein-cymex.com)  
Please consider the maximal tilting moment caused by the motor  $M_{1KMot}$  – see sizing

<sup>a)</sup> Valid for torque transmission only

<sup>b)</sup> Valid for standard clamping hub diameter

<sup>c)</sup> Refers to center of the output shaft or flange

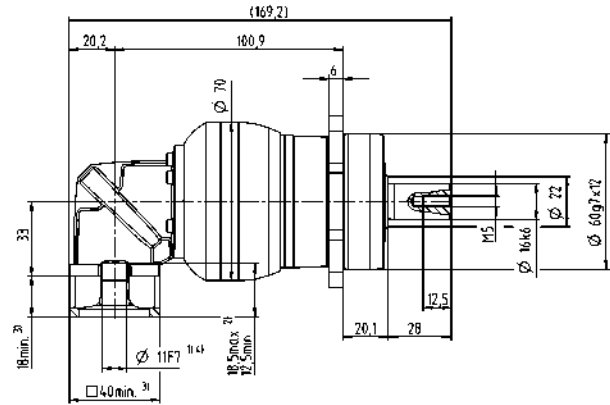
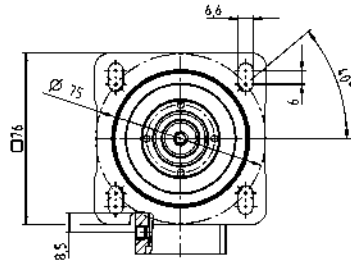
<sup>d)</sup> Please reduce input speed at higher ambient temperatures

<sup>e)</sup> Valid for: Smooth shaft

Motor shaft diameter [mm]

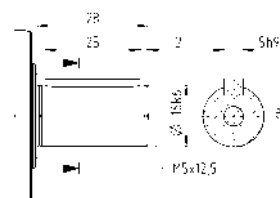
# 3-stage

up to 11<sup>4)</sup> (B)<sup>5)</sup>  
clamping hub diameter

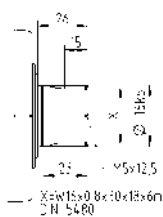


## Other output variants

Shaft with key



Splined shaft (DIN 5480)



Non-tolerated dimensions are nominal dimensions

<sup>1)</sup> Check motor shaft fit

<sup>2)</sup> Min. / Max. permissible motor shaft length

Longer motor shafts are possible, please contact alpha

<sup>3)</sup> The dimensions depend on the motor

<sup>4)</sup> Smaller motor shaft diameter is compensated by a bushing with a minimum wall thickness of 1 mm

<sup>5)</sup> Standard clamping hub diameter

# NPRK 025 MF 2-stage

			2-stage						
Ratio	i		3	4	5	7	8	10	
Max. torque <sup>a) b) e)</sup>	$T_{2a}$	Nm	60	80	100	140	144	144	
		in.lb	531	708	885	1239	1275	1275	
Max. acceleration torque <sup>b)</sup> (max. 1000 cycles per hour)	$T_{2B}$	Nm	35	47	58	82	90	90	
		in.lb	310	416	513	726	797	797	
Emergency stop torque <sup>a) b) e)</sup> (permitted 1000 times during the service life of the gearbox)	$T_{2Not}$	Nm	90	120	150	190	190	190	
		in.lb	797	1062	1328	1682	1682	1682	
Permitted average input speed <sup>d)</sup> (at $T_{2a}$ and 20 °C ambient temperature)	$n_{1N}$	rpm	2400	2600	2700	3000	3000	3000	
Max. input speed	$n_{1Max}$	rpm	5000	5000	5000	5000	5000	5000	
Mean no load running torque <sup>b)</sup> (at $n_1=3000$ rpm and 20 °C gearbox temperature)	$T_{012}$	Nm	2.4	2.4	2.4	2.4	2.4	2.4	
		in.lb	21	21	21	21	21	21	
Max. backlash	$j_t$	arcmin	≤ 15						
Torsional rigidity <sup>b)</sup>	$C_{t21}$	Nm/arcmin	6.2	6.2	6.2	6.2	6.2	6.2	
		in.lb/arcmin	55	55	55	55	55	55	
Max. axial force <sup>c)</sup>	$F_{2AMax}$	N	3350						
		lb <sub>f</sub>	754						
Max. lateral force <sup>c)</sup>	$F_{2OMax}$	N	4200						
		lb <sub>f</sub>	945						
Max. tilting moment	$M_{2KMMax}$	Nm	236						
		in.lb	2089						
Efficiency at full load	$\eta$	%	95						
Service life	$L_h$	h	> 20000						
Weight (incl. standard adapter plate)	m	kg	4.8						
		lb <sub>m</sub>	11						
Operating noise (at reference ratio and reference speed – ratio-specific values available in cymex®)	$L_{PA}$	dB(A)	≤ 73						
Max. permitted housing temperature		°C	+90						
		°F	+194						
Ambient temperature		°C	0 to +40						
		°F	+32 to +104						
Lubrication			Lubricated for life						
Direction of rotation			In- and output same direction						
Protection class			IP 64						
Elastomer coupling (recommended product type – validate sizing with cymex®)			ELC-0060BA022.000-X						
Bore diameter of coupling on the application side		mm	X = 012.000 - 032.000						
Mass moment of inertia (relates to the drive) Clamping hub diameter [mm]	E 19	$J_1$	kgcm <sup>2</sup>	1.2	1.2	1.2	1.2	1.2	1.2
			10 <sup>-3</sup> in.lb.s <sup>2</sup>	1.1	1.1	1.1	1.1	1.1	1.1

Please use our sizing software cymex® for a detailed sizing – [www.wittenstein-cymex.com](http://www.wittenstein-cymex.com)  
Please consider the maximal tilting moment caused by the motor  $M_{1KMot}$  – see sizing

<sup>a)</sup> Valid for torque transmission only

<sup>b)</sup> Valid for standard clamping hub diameter

<sup>c)</sup> Refers to center of the output shaft or flange

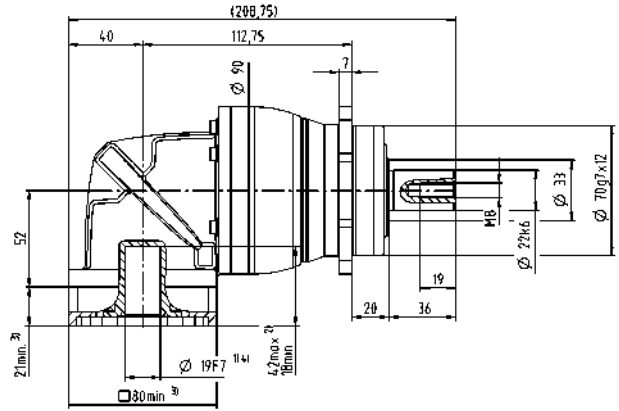
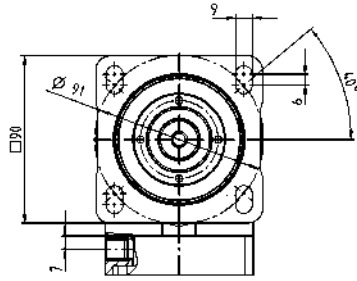
<sup>d)</sup> Please reduce input speed at higher ambient temperatures

<sup>e)</sup> Valid for: Smooth shaft

Motor shaft diameter [mm]

# 2-stage

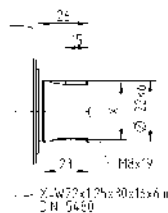
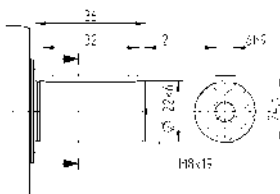
up to 19<sup>4)</sup> (E)<sup>5)</sup>  
clamping hub diameter



## Other output variants

Shaft with key

Splined shaft (DIN 5480)



Non-tolerated dimensions are nominal dimensions

<sup>1)</sup> Check motor shaft fit

<sup>2)</sup> Min. / Max. permissible motor shaft length

Longer motor shafts are possible, please contact alpha

<sup>3)</sup> The dimensions depend on the motor

<sup>4)</sup> Smaller motor shaft diameter is compensated

by a bushing with a minimum wall thickness of 1 mm

<sup>5)</sup> Standard clamping hub diameter

# NPRK 025 MF 3-stage

			3-stage														
Ratio	i		9	12	15	16	20	25	28	30	32	35	40	50	64	70	100
Max. torque <sup>a) b) e)</sup>	$T_{2a}$	Nm	99	128	128	152	152	160	152	128	152	160	152	160	144	160	144
		in.lb	876	1133	1133	1345	1345	1416	1345	1133	1345	1416	1345	1416	1275	1416	1275
Max. acceleration torque <sup>b)</sup> (max. 1000 cycles per hour)	$T_{2B}$	Nm	48	65	80	86	95	100	95	80	95	100	95	100	90	100	90
		in.lb	425	575	708	761	841	885	841	708	841	885	841	885	797	885	797
Emergency stop torque <sup>a) b) e)</sup> (permitted 1000 times during the service life of the gearbox)	$T_{2Not}$	Nm	124	166	190	190	190	190	190	190	190	190	190	190	190	190	190
		in.lb	1097	1469	1682	1682	1682	1682	1682	1682	1682	1682	1682	1682	1682	1682	1682
Permitted average input speed <sup>d)</sup> (at $T_{2a}$ and 20 °C ambient temperature)	$n_{1N}$	rpm	2800	3300	3300	3300	3300	3300	3300	3300	3300	3300	3300	3300	3300	3300	3300
Max. input speed	$n_{1Max}$	rpm	5000	5000	5000	5000	5000	5000	5000	5000	5000	5000	5000	5000	5000	5000	5000
Mean no load running torque <sup>b)</sup> (at $n_1=3000$ rpm and 20 °C gearbox temperature)	$T_{012}$	Nm	0.97	0.97	0.97	0.97	0.97	0.97	0.97	0.97	0.97	0.97	0.97	0.97	0.97	0.97	0.97
		in.lb	8.6	8.6	8.6	8.6	8.6	8.6	8.6	8.6	8.6	8.6	8.6	8.6	8.6	8.6	8.6
Max. backlash	$j_t$	arcmin	≤ 13														
Torsional rigidity <sup>b)</sup>	$C_{t21}$	Nm/arcmin	8.4	8.4	8.4	8.4	8.4	8.4	8.4	8.4	8.4	8.4	8.4	8.4	8.4	8.4	8.4
		in.lb/arcmin	74	74	74	74	74	74	74	74	74	74	74	74	74	74	74
Max. axial force <sup>c)</sup>	$F_{2AMax}$	N	3350														
		lb <sub>f</sub>	754														
Max. lateral force <sup>c)</sup>	$F_{2OMax}$	N	4200														
		lb <sub>f</sub>	945														
Max. tilting moment	$M_{2KMMax}$	Nm	236														
		in.lb	2089														
Efficiency at full load	$\eta$	%	94														
Service life	$L_h$	h	> 20000														
Weight (incl. standard adapter plate)	$m$	kg	4.4														
		lb <sub>m</sub>	9.7														
Operating noise (at reference ratio and reference speed – ratio-specific values available in cymex®)	$L_{PA}$	dB(A)	≤ 70														
Max. permitted housing temperature		°C	+90														
		°F	+194														
Ambient temperature		°C	0 to +40														
		°F	+32 to +104														
Lubrication			Lubricated for life														
Direction of rotation			In- and output same direction														
Protection class			IP 64														
Elastomer coupling (recommended product type – validate sizing with cymex®)			ELC-0060BA022.000-X														
Bore diameter of coupling on the application side		mm	X = 012.000 - 032.000														
Mass moment of inertia (relates to the drive) Clamping hub diameter [mm]	C	14	$J_1$	kgcm <sup>2</sup>	0.45	0.45	0.45	0.45	0.45	0.45	0.45	0.45	0.45	0.45	0.45	0.45	0.45
				10 <sup>-3</sup> in.lb.s <sup>2</sup>	0.4	0.4	0.4	0.4	0.4	0.4	0.4	0.4	0.4	0.4	0.4	0.4	0.4

Please use our sizing software cymex® for a detailed sizing – [www.wittenstein-cymex.com](http://www.wittenstein-cymex.com)  
Please consider the maximal tilting moment caused by the motor  $M_{1KMot}$  – see sizing

<sup>a)</sup> Valid for torque transmission only

<sup>b)</sup> Valid for standard clamping hub diameter

<sup>c)</sup> Refers to center of the output shaft or flange

<sup>d)</sup> Please reduce input speed at higher ambient temperatures

<sup>e)</sup> Valid for: Smooth shaft



# NPRK 035 MF 2-stage

			2-stage						
Ratio	i		3	4	5	7	8	10	
Max. torque <sup>a) b) e)</sup>	$T_{2a}$	Nm	150	200	250	350	352	352	
		in.lb	1328	1770	2213	3098	3115	3115	
Max. acceleration torque <sup>b)</sup> (max. 1000 cycles per hour)	$T_{2B}$	Nm	93	124	155	217	220	220	
		in.lb	823	1097	1372	1921	1947	1947	
Emergency stop torque <sup>a) b) e)</sup> (permitted 1000 times during the service life of the gearbox)	$T_{2Not}$	Nm	238	318	397	500	500	500	
		in.lb	2106	2815	3514	4425	4425	4425	
Permitted average input speed <sup>d)</sup> (at $T_{2a}$ and 20 °C ambient temperature)	$n_{1N}$	rpm	1800	2000	2000	2000	2000	2000	
Max. input speed	$n_{1Max}$	rpm	4500	4500	4500	4500	4500	4500	
Mean no load running torque <sup>b)</sup> (at $n_1=3000$ rpm and 20 °C gearbox temperature)	$T_{012}$	Nm	5.8	5.8	5.8	5.8	5.8	5.8	
		in.lb	51	51	51	51	51	51	
Max. backlash	$j_t$	arcmin	≤ 13						
Torsional rigidity <sup>b)</sup>	$C_{t21}$	Nm/arcmin	16	16	16	16	16	16	
		in.lb/arcmin	142	142	142	142	142	142	
Max. axial force <sup>c)</sup>	$F_{2AMax}$	N	5650						
		lb <sub>f</sub>	1271						
Max. lateral force <sup>c)</sup>	$F_{2OMax}$	N	6600						
		lb <sub>f</sub>	1485						
Max. tilting moment	$M_{2KMMax}$	Nm	487						
		in.lb	4310						
Efficiency at full load	$\eta$	%	95						
Service life	$L_h$	h	> 20000						
Weight (incl. standard adapter plate)	$m$	kg	10						
		lb <sub>m</sub>	22						
Operating noise (at reference ratio and reference speed – ratio-specific values available in cymex®)	$L_{PA}$	dB(A)	≤ 74						
Max. permitted housing temperature		°C	+90						
		°F	+194						
Ambient temperature		°C	0 to +40						
		°F	+32 to +104						
Lubrication			Lubricated for life						
Direction of rotation			In- and output same direction						
Protection class			IP 64						
Elastomer coupling (recommended product type – validate sizing with cymex®)			ELC-0150BA032.000-X						
Bore diameter of coupling on the application side		mm	X = 019.000 - 036.000						
Mass moment of inertia (relates to the drive) Clamping hub diameter [mm]	H 28	$J_1$	kgcm <sup>2</sup>	5.2	5.2	5.2	5.2	5.2	5.2
			10 <sup>-3</sup> in.lb.s <sup>2</sup>	4.6	4.6	4.6	4.6	4.6	4.6

Please use our sizing software cymex® for a detailed sizing – [www.wittenstein-cymex.com](http://www.wittenstein-cymex.com)  
Please consider the maximal tilting moment caused by the motor  $M_{1KMot}$  – see sizing

<sup>a)</sup> Valid for torque transmission only

<sup>b)</sup> Valid for standard clamping hub diameter

<sup>c)</sup> Refers to center of the output shaft or flange

<sup>d)</sup> Please reduce input speed at higher ambient temperatures

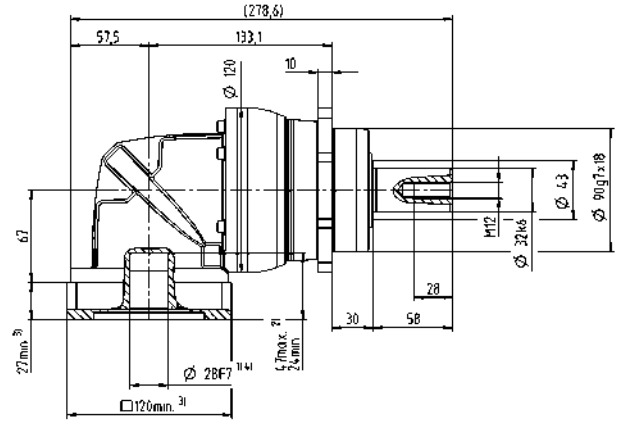
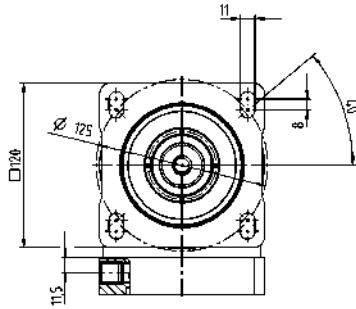
<sup>e)</sup> Valid for: Smooth shaft



Motor shaft diameter [mm]

# 2-stage

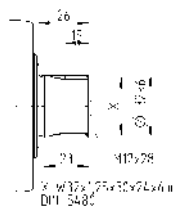
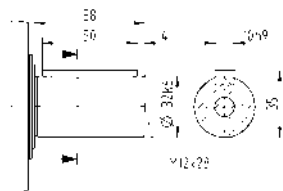
up to 28<sup>4)</sup> (H)<sup>5)</sup>  
clamping hub diameter



## Other output variants

Shaft with key

Splined shaft (DIN 5480)



Non-tolerated dimensions are nominal dimensions

<sup>1)</sup> Check motor shaft fit

<sup>2)</sup> Min. / Max. permissible motor shaft length

Longer motor shafts are possible, please contact alpha

<sup>3)</sup> The dimensions depend on the motor

<sup>4)</sup> Smaller motor shaft diameter is compensated by a bushing with a minimum wall thickness of 1 mm

<sup>5)</sup> Standard clamping hub diameter

# NPRK 035 MF 3-stage

			3-stage														
Ratio	i		9	12	15	16	20	25	28	30	32	35	40	50	64	70	100
Max. torque <sup>a) b) e)</sup>	$T_{2a}$	Nm	180	240	300	320	400	400	408	320	408	400	408	400	352	400	352
		in.lb	1593	2124	2655	2832	3540	3540	3611	2832	3611	3540	3611	3540	3115	3540	3115
Max. acceleration torque <sup>b)</sup> (max. 1000 cycles per hour)	$T_{2B}$	Nm	105	141	176	188	235	250	255	200	255	250	255	250	220	250	220
		in.lb	929	1248	1558	1664	2080	2213	2257	1770	2257	2213	2257	2213	1947	2213	1947
Emergency stop torque <sup>a) b) e)</sup> (permitted 1000 times during the service life of the gearbox)	$T_{2Not}$	Nm	270	361	451	481	500	500	500	500	500	500	500	500	500	500	500
		in.lb	2390	3195	3992	4257	4425	4425	4425	4425	4425	4425	4425	4425	4425	4425	4425
Permitted average input speed <sup>d)</sup> (at $T_{2a}$ and 20 °C ambient temperature)	$n_{1N}$	rpm	2600	3000	3000	3000	3000	3000	3000	3000	3000	3000	3000	3000	3000	3000	
Max. input speed	$n_{1Max}$	rpm	5000	5000	5000	5000	5000	5000	5000	5000	5000	5000	5000	5000	5000	5000	
Mean no load running torque <sup>b)</sup> (at $n_1=3000$ rpm and 20 °C gearbox temperature)	$T_{012}$	Nm	2.3	2.3	2.3	2.3	2.3	2.3	2.3	2.3	2.3	2.3	2.3	2.3	2.3	2.3	
		in.lb	20	20	20	20	20	20	20	20	20	20	20	20	20	20	
Max. backlash	$j_t$	arcmin	≤ 13														
Torsional rigidity <sup>b)</sup>	$C_{t21}$	Nm/arcmin	19	19	19	19	19	19	19	19	19	19	19	19	19	19	
		in.lb/arcmin	168	168	168	168	168	168	168	168	168	168	168	168	168	168	
Max. axial force <sup>c)</sup>	$F_{2AMax}$	N	5650														
		lb <sub>f</sub>	1271														
Max. lateral force <sup>c)</sup>	$F_{2OMax}$	N	6600														
		lb <sub>f</sub>	1485														
Max. tilting moment	$M_{2KMax}$	Nm	487														
		in.lb	4310														
Efficiency at full load	$\eta$	%	94														
Service life	$L_h$	h	> 20000														
Weight (incl. standard adapter plate)	m	kg	10														
		lb <sub>m</sub>	22														
Operating noise (at reference ratio and reference speed – ratio-specific values available in cymex®)	$L_{PA}$	dB(A)	≤ 73														
Max. permitted housing temperature		°C	+90														
		°F	+194														
Ambient temperature		°C	0 to +40														
		°F	+32 to +104														
Lubrication			Lubricated for life														
Direction of rotation			In- and output same direction														
Protection class			IP 64														
Elastomer coupling (recommended product type – validate sizing with cymex®)			ELC-0150BA032.000-X														
Bore diameter of coupling on the application side		mm	X = 019.000 - 036.000														
Mass moment of inertia (relates to the drive) Clamping hub diameter [mm]	E	19	$J_1$	kgcm <sup>2</sup>	1.7	1.7	1.7	1.7	1.7	1.7	1.7	1.7	1.7	1.7	1.7	1.7	
				10 <sup>-3</sup> in.lb.s <sup>2</sup>	1.5	1.5	1.5	1.5	1.5	1.5	1.5	1.5	1.5	1.5	1.5	1.5	1.5

Please use our sizing software cymex® for a detailed sizing – [www.wittenstein-cymex.com](http://www.wittenstein-cymex.com)  
Please consider the maximal tilting moment caused by the motor  $M_{1KMot}$  – see sizing

<sup>a)</sup> Valid for torque transmission only

<sup>b)</sup> Valid for standard clamping hub diameter

<sup>c)</sup> Refers to center of the output shaft or flange

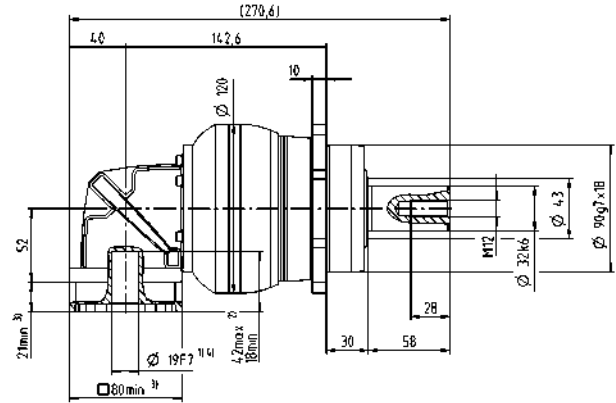
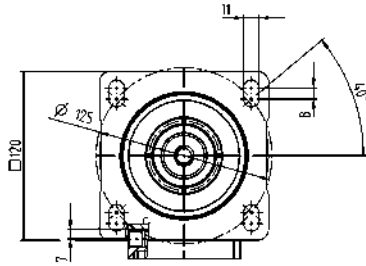
<sup>d)</sup> Please reduce input speed at higher ambient temperatures

<sup>e)</sup> Valid for: Smooth shaft

Motor shaft diameter [mm]

# 3-stage

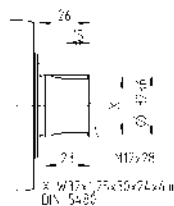
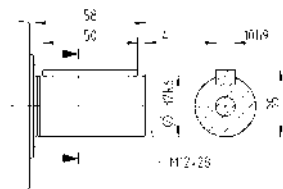
up to 19<sup>4)</sup> (E)<sup>5)</sup>  
clamping hub diameter



## Other output variants

Shaft with key

Splined shaft (DIN 5480)



Non-tolerated dimensions are nominal dimensions

<sup>1)</sup> Check motor shaft fit

<sup>2)</sup> Min. / Max. permissible motor shaft length

Longer motor shafts are possible, please contact alpha

<sup>3)</sup> The dimensions depend on the motor

<sup>4)</sup> Smaller motor shaft diameter is compensated

by a bushing with a minimum wall thickness of 1 mm

<sup>5)</sup> Standard clamping hub diameter

# NPRK 045 MF 3-stage

			3-stage					
Ratio	i		25	32	50	64	100	
Max. torque <sup>a) b) e)</sup>	$T_{2a}$	Nm	700	640	700	640	640	
		in.lb	6196	5665	6196	5665	5665	
Max. acceleration torque <sup>e)</sup> (max. 1000 cycles per hour)	$T_{2B}$	Nm	500	400	500	400	400	
		in.lb	4425	3540	4425	3540	3540	
Emergency stop torque <sup>a) b) e)</sup> (permitted 1000 times during the service life of the gearbox)	$T_{2Not}$	Nm	1000	1000	1000	1000	1000	
		in.lb	8851	8851	8851	8851	8851	
Permitted average input speed <sup>d)</sup> (at $T_{2N}$ and 20 °C ambient temperature)	$n_{1N}$	rpm	2000	2000	2000	2000	2000	
Max. input speed	$n_{1Max}$	rpm	4500	4500	4500	4500	4500	
Mean no load running torque <sup>b)</sup> (at $n_1=3000$ rpm and 20 °C gearbox temperature)	$T_{012}$	Nm	4.7	4.7	4.7	4.7	4.7	
		in.lb	42	42	42	42	42	
Max. backlash	$j_l$	arcmin	≤ 11					
Torsional rigidity <sup>b)</sup>	$C_{121}$	Nm/arcmin	54	54	54	54	54	
		in.lb/arcmin	478	478	478	478	478	
Max. axial force <sup>c)</sup>	$F_{2AMax}$	N	9870					
		lb <sub>f</sub>	2221					
Max. lateral force <sup>c)</sup>	$F_{2QMMax}$	N	9900					
		lb <sub>f</sub>	2228					
Max. tilting moment	$M_{2KMMax}$	Nm	952					
		in.lb	8426					
Efficiency at full load	$\eta$	%	94					
Service life	$L_n$	h	> 20000					
Weight (incl. standard adapter plate)	$m$	kg	21					
		lb <sub>m</sub>	46					
Operating noise (at reference ratio and reference speed – ratio-specific values available in cymex®)	$L_{PA}$	dB(A)	≤ 74					
Max. permitted housing temperature		°C	+90					
		°F	+194					
Ambient temperature		°C	0 to +40					
		°F	+32 to +104					
Lubrication			Lubricated for life					
Direction of rotation			In- and output same direction					
Protection class			IP 64					
Elastomer coupling (recommended product type – validate sizing with cymex®)			ELC-0300BA040.000-X					
Bore diameter of coupling on the application side		mm	X = 020.000 - 045.000					
Mass moment of inertia (relates to the drive) Clamping hub diameter [mm]	H 28	$J_1$	kgcm <sup>2</sup>	6.7	6.7	6.7	6.7	6.7
			10 <sup>-3</sup> in.lb.s <sup>2</sup>	5.9	5.9	5.9	5.9	5.9

Please use our sizing software cymex® for a detailed sizing – [www.wittenstein-cymex.com](http://www.wittenstein-cymex.com)  
Please consider the maximal tilting moment caused by the motor  $M_{1KMot}$  – see sizing

<sup>a)</sup> Valid for torque transmission only

<sup>b)</sup> Valid for standard clamping hub diameter

<sup>c)</sup> Refers to center of the output shaft or flange

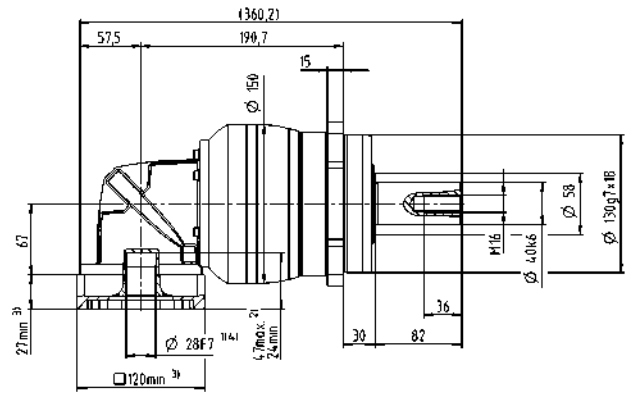
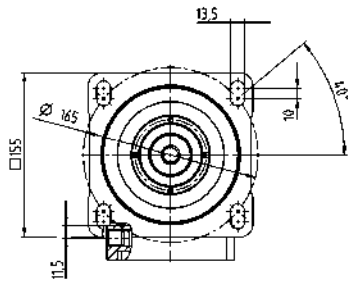
<sup>d)</sup> Please reduce input speed at higher ambient temperatures

<sup>e)</sup> Valid for: Smooth shaft

Motor shaft diameter [mm]

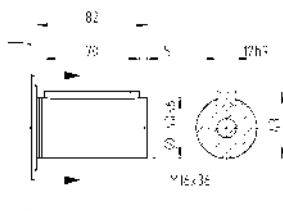
# 3-stage

up to 28<sup>4)</sup> (H)<sup>5)</sup>  
clamping hub diameter

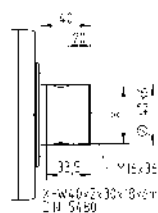


## Other output variants

Shaft with key



Splined shaft (DIN 5480)



Non-tolerated dimensions are nominal dimensions

<sup>1)</sup> Check motor shaft fit

<sup>2)</sup> Min. / Max. permissible motor shaft length

Longer motor shafts are possible, please contact alpha

<sup>3)</sup> The dimensions depend on the motor

<sup>4)</sup> Smaller motor shaft diameter is compensated

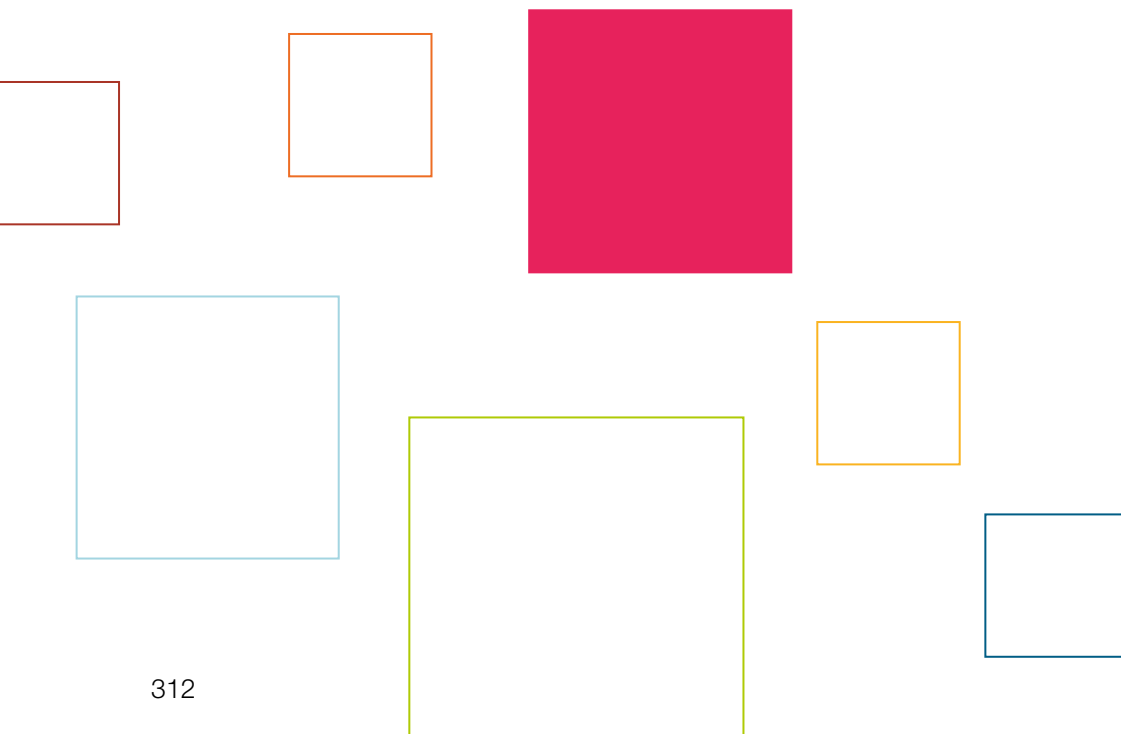
by a bushing with a minimum wall thickness of 1 mm

<sup>5)</sup> Standard clamping hub diameter

# alpha Value Line

## WORM GEARBOXES NVH / NVS

This product line is characterized by high power density, medium backlash over the entire service life, and supreme running smoothness. The gearboxes are also ideal for use in continuous operation thanks to their low temperature development.



NVH



NVS



# NVH / NVS – We drive the Performance

NVH



The servo worm gearboxes with hollow shaft and output shaft impress with high power density combined with medium backlash. The V-Drive Value are especially suitable for economical applications in continuous operation.

## PRODUCT HIGHLIGHTS



### Strong performance

The V-Drive Value convinces with a strong performance in economical standard applications in cyclic and continuous operation.

High power density is achieved with medium backlash over the entire service life.



### No stick-slip effect

The stick-slip effect is not an issue in applications with the V-Drive Value thanks to the perfected hollow-flank toothing.



### High flexibility

In addition to the hollow shaft and shaft output shapes, the worm gearboxes are also available in a corrosion-resistant design.

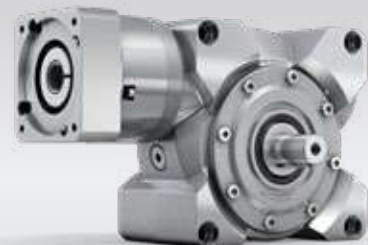


### Constant low backlash

Constant low backlash over the entire service life affords consistent high quality with high positioning accuracy.



NVH – worm gearbox in corrosion-resistant design



NVS – worm gearbox with integrated planetary input stage



NVS



- A Radial shaft seal**
- Very long service life
  - Optimized for continuous operation

- B Hollow-flank toothing**
- Medium torsional backlash accuracy over the entire service life
  - High efficiency
  - High power density

- C Input bearing**
- Bearing package to absorb axial and radial forces
  - Very well suited to high input speeds

- D Output bearing**
- High overload capacity to absorb axial and radial forces

- E Metal bellows coupling**
- Completely backlash free
  - Lifetime durable and maintenance free
  - Easy assembly
  - Protects the motor through thermal linear expansion compensation

Worm Gearboxes  
Value Line



NVS – worm gearbox with elastomer coupling ELC



NVS – worm gearbox with rack and pinion

# NVH 040 MF 1-/2-stage

			1-stage						2-stage								
Ratio	<i>i</i>		4	7	10	16	28	40	50	70	100	140	200	280	400		
Max. torque <sup>a) b)</sup> (at $n_1 = 500$ rpm)	$T_{2a}$	Nm	74	82	91	94	98	91	91	82	91	98	91	98	91		
		in.lb	655	726	805	832	867	805	805	726	805	867	805	867	805		
Emergency stop torque <sup>a) b)</sup> (permitted 1000 times during the service life of the gearbox)	$T_{2Not}$	Nm	118	126	125	129	134	122	125	126	125	134	122	134	122		
		in.lb	1044	1115	1106	1142	1186	1080	1106	1115	1106	1186	1080	1186	1080		
Permitted average input speed <sup>d)</sup> (at 20 °C ambient temperature)	$n_{1N}$	rpm	4000						4400								
Max. input speed	$n_{1Max}$	rpm	6000														
Mean no load running torque <sup>b)</sup> (at $n_1 = 3000$ rpm and 20 °C gearbox temperature)	$T_{012}$	Nm	0.8	0.7	0.6	0.5	0.4	0.4	0.4	0.2	0.2	0.4	0.4	0.3	0.2		
		in.lb	7.1	6.2	5.3	4.4	3.5	3.5	3.5	1.8	1.8	3.5	3.5	2.7	1.8		
Max. backlash	$j_t$	arcmin	≤ 6						≤ 7								
Torsional rigidity <sup>b)</sup>	$C_{t21}$	Nm/arcmin	4.5	4.5	4.5	4.5	4.5	4.5	4.5	4.5	4.5	4.5	4.5	4.5	4.5		
		in.lb/arcmin	40	40	40	40	40	40	40	40	40	40	40	40	40		
Max. axial force <sup>c)</sup>	$F_{2AMax}$	N	3000														
		lb <sub>f</sub>	675														
Max. lateral force <sup>b)</sup>	$F_{2OMax}$	N	2400														
		lb <sub>f</sub>	540														
Max. tilting moment	$M_{2KMax}$	Nm	205														
		in.lb	1814														
Efficiency at full load (at $n_1 = 500$ rpm)	$\eta$	%	93	90	88	82	73	67	86	88	86	71	65	71	65		
Service life	$L_n$	h	> 20000														
Weight (incl. standard adapter plate)	$m$	kg	5						5.6								
		lb <sub>m</sub>	11.1						12								
Operating noise (at reference ratio and reference speed – ratio-specific values available in cymex <sup>®</sup> )	$L_{PA}$	dB(A)	< 54						< 58								
Max. permitted housing temperature		°C	+90														
		°F	+194														
Ambient temperature		°C	-15 to +40														
		°F	+5 to +104														
Lubrication			Lubricated for life														
Direction of rotation			See drawing														
Protection class			IP 65														
Shrink disc (Standard Version)			SD 024x050 S2														
Max. torque (without axial force)	$T_{max}$	Nm	250														
		in.lb	2213														
Mass moment of inertia (relates to the drive)	C	14	$J_1$	kgcm <sup>2</sup>	0.56	0.42	0.39	0.37	0.36	0.35	0.16	0.15	0.15	0.16	0.16	0.15	0.15
				10 <sup>-3</sup> in.lb.s <sup>2</sup>	0.5	0.37	0.35	0.33	0.32	0.31	0.14	0.13	0.13	0.14	0.14	0.13	0.13
Clamping hub diameter [mm]	E	19	$J_1$	kgcm <sup>2</sup>	0.88	0.74	0.7	0.68	0.68	0.67	0.53	0.52	0.52	0.53	0.53	0.52	0.52
				10 <sup>-3</sup> in.lb.s <sup>2</sup>	0.78	0.65	0.62	0.6	0.6	0.59	0.47	0.46	0.46	0.47	0.47	0.46	0.46

Please use our sizing software cymex<sup>®</sup> for a detailed sizing – [www.wittenstein-cymex.com](http://www.wittenstein-cymex.com)

<sup>a)</sup> At max. 10 %  $F_{2OMax}$

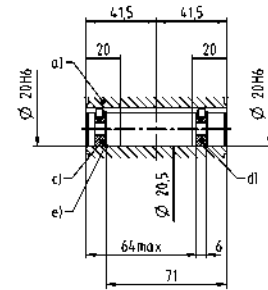
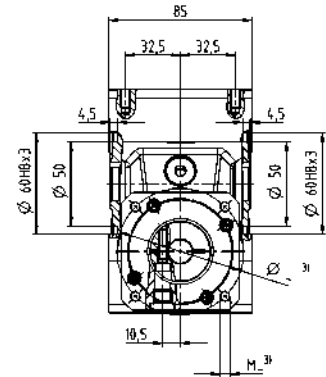
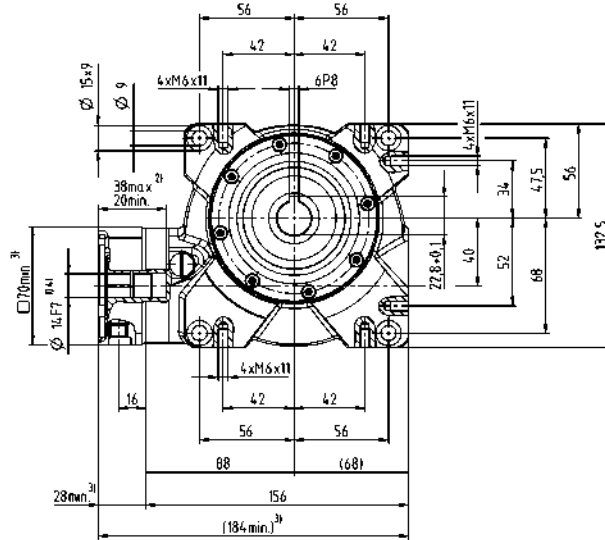
<sup>b)</sup> Valid for standard clamping hub diameter

<sup>c)</sup> Refers to center of the output shaft or flange

<sup>d)</sup> Please reduce input speed at higher ambient temperatures

# 1-stage

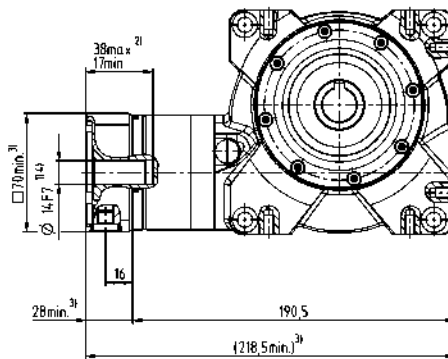
up to 14/19<sup>4)</sup> (C<sup>6)</sup>/E)  
clamping hub diameter



Motor shaft diameter [mm]

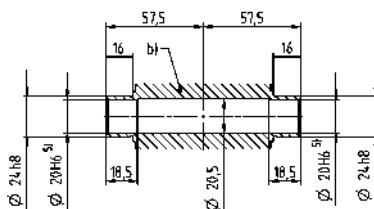
# 2-stage

up to 14/19<sup>4)</sup> (C<sup>6)</sup>/E)  
clamping hub diameter



## Other output variants

Hollow shaft interfaces on both sides



- a) Hollow shaft, keyed on both sides
- b) Hollow shaft interfaces on both sides
- c) End disc for screw M6 (on request)
- d) End disc as forcing washer for screw M8 (on request)
- e) Locking ring – DIN 472 (on request)

See technical data sheet for available clamping hub diameters (mass moment of inertia). Dimensions available on request.

Non-tolerated dimensions are nominal dimensions

- <sup>1)</sup> Check motor shaft fit
- <sup>2)</sup> Min./Max. permissible motor shaft length  
Longer motor shafts are adaptable, please contact us
- <sup>3)</sup> The dimensions depend on the motor
- <sup>4)</sup> Smaller motor shaft diameter is compensated by a bushing with a minimum wall thickness of 1 mm
- <sup>5)</sup> Tolerance h6 for mounted shaft
- <sup>6)</sup> Standard clamping hub diameter

# NVH 050 MF 1-/2-stage

			1-stage						2-stage								
Ratio	$i$		4	7	10	16	28	40	50	70	100	140	200	280	400		
Max. torque <sup>a) b)</sup> (at $n_1 = 500$ rpm)	$T_{2a}$	Nm	130	150	153	157	167	141	153	150	153	167	141	167	141		
		in.lb	1151	1328	1354	1389	1478	1248	1354	1328	1354	1478	1248	1478	1248		
Emergency stop torque <sup>a) b)</sup> (permitted 1000 times during the service life of the gearbox)	$T_{2Not}$	Nm	230	242	242	250	262	236	242	242	242	262	236	262	236		
		in.lb	2036	2142	2142	2213	2319	2089	2142	2142	2142	2319	2089	2319	2089		
Permitted average input speed <sup>d)</sup> (at 20 °C ambient temperature)	$n_{1N}$	rpm	4000						3500								
Max. input speed	$n_{1Max}$	rpm	6000														
Mean no load running torque <sup>b)</sup> (at $n_1 = 3000$ rpm and 20 °C gearbox temperature)	$T_{012}$	Nm	2.3	2.2	1.6	1.5	1.2	1.1	0.7	0.5	0.4	0.6	0.6	0.4	0.4		
		in.lb	20.4	19.5	14.2	13.3	10.6	9.7	6.2	4.4	3.5	5.3	5.3	3.5	3.5		
Max. backlash	$j_t$	arcmin	≤ 6						≤ 7								
Torsional rigidity <sup>b)</sup>	$C_{t21}$	Nm/arcmin	8	8	8	8	8	8	8	8	8	8	8	8	8		
		in.lb/arcmin	71	71	71	71	71	71	71	71	71	71	71	71	71		
Max. axial force <sup>c)</sup>	$F_{2AMax}$	N	5000														
		lb <sub>f</sub>	1125														
Max. lateral force <sup>b)</sup>	$F_{2QMMax}$	N	3800														
		lb <sub>f</sub>	855														
Max. tilting moment	$M_{2KMMax}$	Nm	409														
		in.lb	3620														
Efficiency at full load (at $n_1 = 500$ rpm)	$\eta$	%	92	89	86	82	72	64	84	87	84	70	62	70	62		
Service life	$L_n$	h	> 20000														
Weight (incl. standard adapter plate)	$m$	kg	8						8.7								
		lb <sub>m</sub>	17.7						19								
Operating noise (at reference ratio and reference speed – ratio-specific values available in cymex <sup>®</sup> )	$L_{PA}$	dB(A)	≤ 62														
Max. permitted housing temperature		°C	+90														
		°F	+194														
Ambient temperature		°C	-15 to +40														
		°F	+5 to +104														
Lubrication			Lubricated for life														
Direction of rotation			See drawing														
Protection class			IP 65														
Shrink disc (Standard Version)			SD 030x060 S2V														
Max. torque (without axial force)	$T_{max}$	Nm	550														
		in.lb	4868														
Mass moment of inertia (relates to the drive) Clamping hub diameter [mm]	C	14	$J_1$	kgcm <sup>2</sup>	-	-	-	-	-	-	0.21	0.16	0.16	0.2	0.21	0.16	0.16
				10 <sup>-3</sup> in.lb.s <sup>2</sup>	-	-	-	-	-	-	0.19	0.14	0.14	0.18	0.19	0.14	0.14
	E	19	$J_1$	kgcm <sup>2</sup>	1.5	1.2	1.1	1.0	0.97	1.0	0.57	0.53	0.53	0.57	0.57	0.53	0.53
				10 <sup>-3</sup> in.lb.s <sup>2</sup>	1.3	1.1	0.97	0.89	0.86	0.89	0.5	0.47	0.47	0.5	0.5	0.47	0.47
	G	24	$J_1$	kgcm <sup>2</sup>	1.6	1.3	1.2	1.1	1.1	1.2	-	-	-	-	-	-	
				10 <sup>-3</sup> in.lb.s <sup>2</sup>	1.4	1.2	1.1	0.97	0.97	1.1	-	-	-	-	-	-	

Please use our sizing software cymex<sup>®</sup> for a detailed sizing – [www.wittenstein-cymex.com](http://www.wittenstein-cymex.com)

<sup>a)</sup> At max. 10 %  $F_{2QMax}$

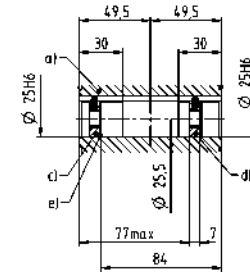
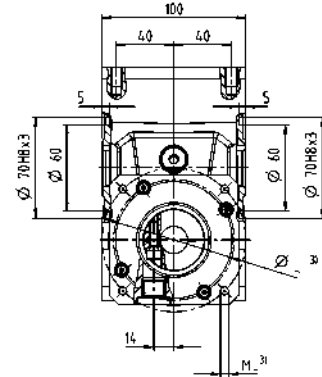
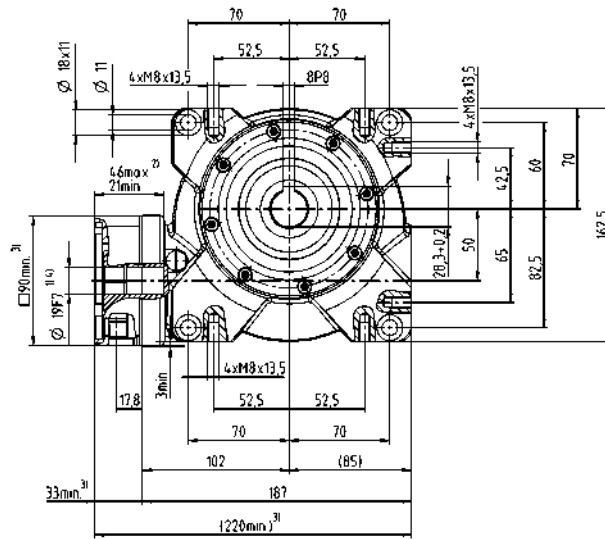
<sup>b)</sup> Valid for standard clamping hub diameter

<sup>c)</sup> Refers to center of the output shaft or flange

<sup>d)</sup> Please reduce input speed at higher ambient temperatures

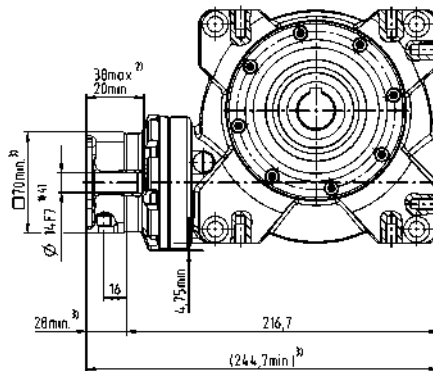
# 1-stage

up to 19<sup>4)</sup>/24 (E<sup>6)</sup>/G)  
clamping hub diameter



# 2-stage

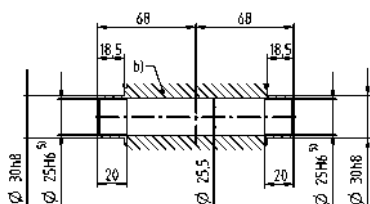
up to 14/19<sup>4)</sup> (C<sup>6)</sup>/E)  
clamping hub diameter



Motor shaft diameter [mm]

## Other output variants

Hollow shaft interfaces on both sides



- a) Hollow shaft, keyed on both sides
- b) Hollow shaft interfaces on both sides
- c) End disc for screw M10 (on request)
- d) End disc as forcing washer for screw M12 (on request)
- e) Locking ring – DIN 472 (on request)

See technical data sheet for available clamping hub diameters (mass moment of inertia). Dimensions available on request.

Non-tolerated dimensions are nominal dimensions

- <sup>1)</sup> Check motor shaft fit
- <sup>2)</sup> Min./Max. permissible motor shaft length  
Longer motor shafts are adaptable, please contact us
- <sup>3)</sup> The dimensions depend on the motor
- <sup>4)</sup> Smaller motor shaft diameter is compensated by a bushing with a minimum wall thickness of 1 mm
- <sup>5)</sup> Tolerance h6 for mounted shaft
- <sup>6)</sup> Standard clamping hub diameter

# NVH 063 MF 1-/2-stage

			1-stage						2-stage								
Ratio	<i>i</i>		4	7	10	16	28	40	50	70	100	140	200	280	400		
Max. torque <sup>a) b)</sup> (at $n_1 = 500$ rpm)	$T_{2a}$	Nm	250	303	319	331	365	321	319	303	319	365	321	365	321		
		in.lb	2213	2682	2823	2929	3230	2841	2823	2682	2823	3230	2841	3230	2841		
Emergency stop torque <sup>a) b)</sup> (permitted 1000 times during the service life of the gearbox)	$T_{2Not}$	Nm	460	484	491	494	518	447	491	484	494	518	447	518	447		
		in.lb	4071	4283	4345	4372	4584	3956	4345	4283	4372	4584	3956	4584	3956		
Permitted average input speed <sup>d)</sup> (at 20 °C ambient temperature)	$n_{1N}$	rpm	4000						3100								
Max. input speed	$n_{1Max}$	rpm	4500														
Mean no load running torque <sup>b)</sup> (at $n_1 = 3000$ rpm and 20 °C gearbox temperature)	$T_{012}$	Nm	4.2	3.1	3	2.4	2.3	2.2	1.2	0.7	0.7	1.1	1.1	0.8	0.6		
		in.lb	37.2	27.4	26.6	21.2	20.4	19.5	10.6	6.2	6.2	9.7	9.7	7.1	5.3		
Max. backlash	$j_t$	arcmin	≤ 6						≤ 7								
Torsional rigidity <sup>b)</sup>	$C_{t21}$	Nm/arcmin	28	28	28	28	28	28	28	28	28	28	28	28	28		
		in.lb/arcmin	248	248	248	248	248	248	248	248	248	248	248	248	248		
Max. axial force <sup>c)</sup>	$F_{2AMax}$	N	8250														
		lb <sub>f</sub>	1856														
Max. lateral force <sup>b)</sup>	$F_{2OMax}$	N	6000														
		lb <sub>f</sub>	1350														
Max. tilting moment	$M_{2KMax}$	Nm	843														
		in.lb	7461														
Efficiency at full load (at $n_1 = 500$ rpm)	$\eta$	%	93	91	88	83	74	68	86	89	86	72	66	72	66		
Service life	$L_n$	h	> 20000														
Weight (incl. standard adapter plate)	$m$	kg	13						13.7								
		lb <sub>m</sub>	28.7						30								
Operating noise (at reference ratio and reference speed – ratio-specific values available in cymex <sup>®</sup> )	$L_{PA}$	dB(A)	≤ 64														
Max. permitted housing temperature		°C	+90														
		°F	+194														
Ambient temperature		°C	-15 to +40														
		°F	+5 to +104														
Lubrication			Lubricated for life														
Direction of rotation			See drawing														
Protection class			IP 65														
Shrink disc (Standard Version)			SD 036x072 S2V														
Max. torque (without axial force)	$T_{max}$	Nm	640														
		in.lb	5664														
Mass moment of inertia (relates to the drive) Clamping hub diameter [mm]	E	19	$J_1$	kgcm <sup>2</sup>	-	-	-	-	-	-	0.75	0.59	0.58	0.75	0.75	0.58	0.58
				10 <sup>-3</sup> in.lb.s <sup>2</sup>	-	-	-	-	-	-	0.66	0.52	0.51	0.66	0.66	0.51	0.51
	G	24	$J_1$	kgcm <sup>2</sup>	-	-	-	-	-	-	2.3	2.2	2.2	2.3	2.3	2.2	2.2
				10 <sup>-3</sup> in.lb.s <sup>2</sup>	-	-	-	-	-	-	2.0	1.9	1.9	2.0	2.0	1.9	1.9
H	28	$J_1$	kgcm <sup>2</sup>	4.9	4.0	3.8	3.7	3.6	3.6	-	-	-	-	-	-		
			10 <sup>-3</sup> in.lb.s <sup>2</sup>	4.3	3.5	3.4	3.3	3.2	3.2	-	-	-	-	-	-		

Please use our sizing software cymex<sup>®</sup> for a detailed sizing – [www.wittenstein-cymex.com](http://www.wittenstein-cymex.com)

<sup>a)</sup> At max. 10 %  $F_{2OMax}$

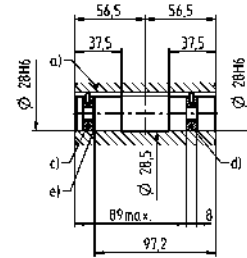
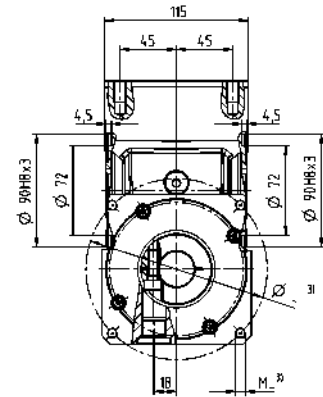
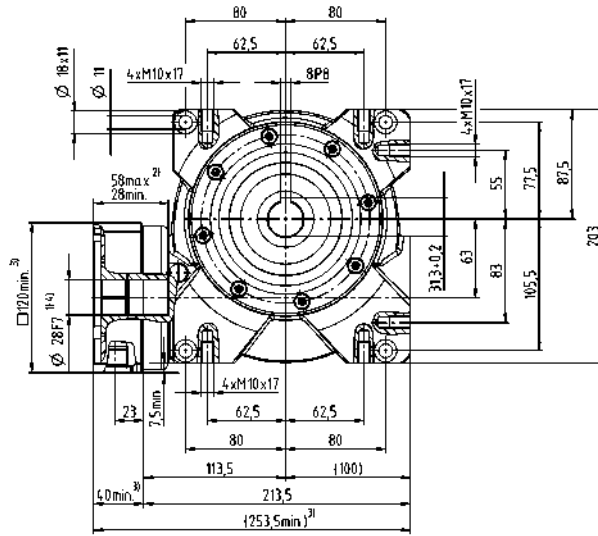
<sup>b)</sup> Valid for standard clamping hub diameter

<sup>c)</sup> Refers to center of the output shaft or flange

<sup>d)</sup> Please reduce input speed at higher ambient temperatures

# 1-stage

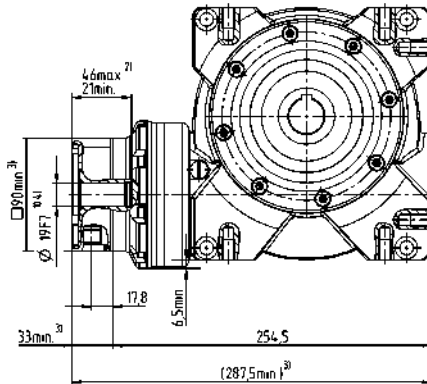
up to 28<sup>4)</sup> (H)<sup>6)</sup>  
clamping hub diameter



Motor shaft diameter [mm]

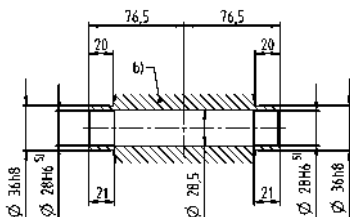
# 2-stage

up to 19/24<sup>4)</sup> (E<sup>6)</sup>/G)  
clamping hub diameter



## Other output variants

Hollow shaft interfaces on both sides



- a) Hollow shaft, keyed on both sides
- b) Hollow shaft interfaces on both sides
- c) End disc for screw M10 (on request)
- d) End disc as forcing washer for screw M12 (on request)
- e) Locking ring – DIN 472 (on request)

See technical data sheet for available clamping hub diameters (mass moment of inertia). Dimensions available on request.

Non-tolerated dimensions are nominal dimensions

- <sup>1)</sup> Check motor shaft fit
- <sup>2)</sup> Min./Max. permissible motor shaft length  
Longer motor shafts are adaptable, please contact us
- <sup>3)</sup> The dimensions depend on the motor
- <sup>4)</sup> Smaller motor shaft diameter is compensated by a bushing with a minimum wall thickness of 1 mm
- <sup>5)</sup> Tolerance h6 for mounted shaft
- <sup>6)</sup> Standard clamping hub diameter

# NVS 040 MF 1-/2-stage

			1-stage						2-stage								
Ratio	<i>i</i>		4	7	10	16	28	40	50	70	100	140	200	280	400		
Max. torque <sup>a) b) e)</sup> (at $n_1 = 500$ rpm)	$T_{2a}$	Nm	63	73	87	89	96	84	91	82	91	98	91	98	91		
		in.lb	558	646	770	788	850	743	805	726	805	867	805	867	805		
Emergency stop torque <sup>a) b) e)</sup> (permitted 1000 times during the service life of the gearbox)	$T_{2Not}$	Nm	118	126	125	129	134	122	125	126	125	134	122	134	122		
		in.lb	1044	1115	1106	1142	1186	1080	1106	1115	1106	1186	1080	1186	1080		
Permitted average input speed <sup>d)</sup> (at 20 °C ambient temperature)	$n_{1N}$	rpm	4000						4400								
Max. input speed	$n_{1Max}$	rpm	6000														
Mean no load running torque <sup>b)</sup> (at $n_1 = 3000$ rpm and 20 °C gearbox temperature)	$T_{012}$	Nm	0.8	0.7	0.6	0.5	0.4	0.4	0.4	0.2	0.2	0.4	0.4	0.3	0.2		
		in.lb	7.1	6.2	5.3	4.4	3.5	3.5	3.5	1.8	1.8	3.5	3.5	2.7	1.8		
Max. backlash	$j_t$	arcmin	≤ 6						≤ 7								
Torsional rigidity <sup>b)</sup>	$C_{t21}$	Nm/arcmin	4.5	4.5	4.5	4.5	4.5	4.5	4.5	4.5	4.5	4.5	4.5	4.5	4.5		
		in.lb/arcmin	40	40	40	40	40	40	40	40	40	40	40	40	40		
Max. axial force <sup>c)</sup>	$F_{2AMax}$	N	3000														
		lb <sub>f</sub>	675														
Max. lateral force <sup>b)</sup>	$F_{2QMMax}$	N	2400														
		lb <sub>f</sub>	540														
Max. tilting moment	$M_{2KMMax}$	Nm	205														
		in.lb	1814														
Efficiency at full load (at $n_1 = 500$ rpm)	$\eta$	%	93	90	88	82	73	67	86	88	86	71	65	71	65		
Service life	$L_n$	h	> 20000														
Weight (incl. standard adapter plate)	<i>m</i>	kg	5						5.6								
		lb <sub>m</sub>	11.1						12								
Operating noise (at reference ratio and reference speed – ratio-specific values available in cymex <sup>®</sup> )	$L_{PA}$	dB(A)	≤ 54						≤ 58								
Max. permitted housing temperature		°C	+90														
		°F	+194														
Ambient temperature		°C	-15 to +40														
		°F	+5 to +104														
Lubrication			Lubricated for life														
Direction of rotation			See drawing														
Protection class			IP 65														
Elastomer coupling (recommended product type – validate sizing with cymex <sup>®</sup> )			ELC-00060B-016.000-X														
Bore diameter of coupling on the application side		mm	X = 016.000 - 032.000														
Mass moment of inertia (relates to the drive)	C	14	$J_1$	kgcm <sup>2</sup>	0.56	0.42	0.39	0.37	0.36	0.35	0.16	0.15	0.15	0.16	0.16	0.15	0.15
				10 <sup>-3</sup> in.lb.s <sup>2</sup>	0.5	0.37	0.35	0.33	0.32	0.31	0.14	0.13	0.13	0.14	0.14	0.13	0.13
Clamping hub diameter [mm]	E	19	$J_1$	kgcm <sup>2</sup>	0.88	0.74	0.7	0.68	0.68	0.67	0.53	0.52	0.52	0.53	0.53	0.52	0.52
				10 <sup>-3</sup> in.lb.s <sup>2</sup>	0.78	0.65	0.62	0.6	0.6	0.59	0.47	0.46	0.46	0.47	0.47	0.46	0.46

Please use our sizing software cymex<sup>®</sup> for a detailed sizing – [www.wittenstein-cymex.com](http://www.wittenstein-cymex.com)

<sup>a)</sup> At max. 10 %  $F_{2QMax}$

<sup>b)</sup> Valid for standard clamping hub diameter

<sup>c)</sup> Refers to center of the output shaft or flange

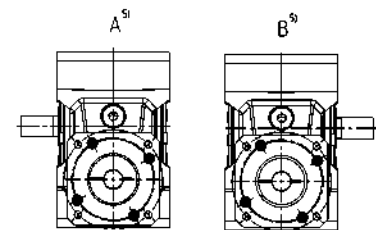
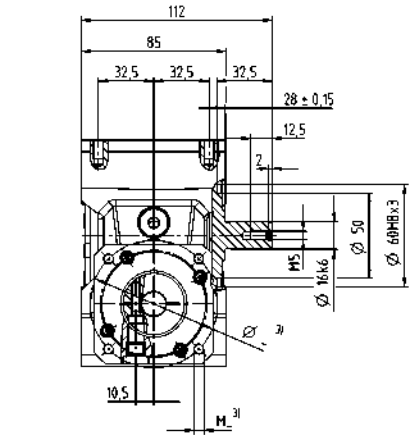
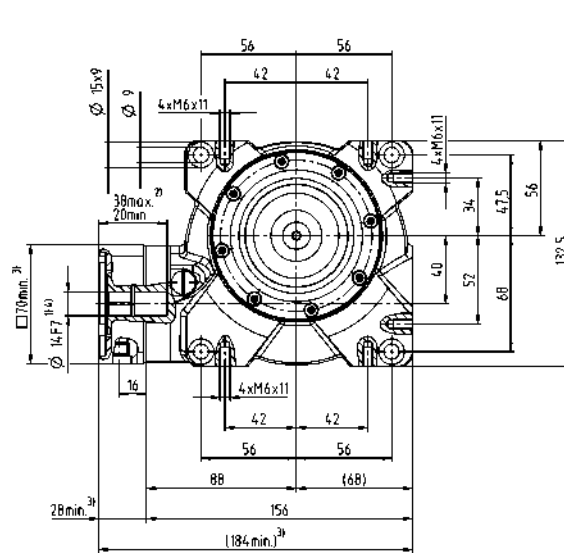
<sup>d)</sup> Please reduce input speed at higher ambient temperatures

<sup>e)</sup> Valid for: Smooth shaft



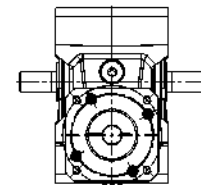
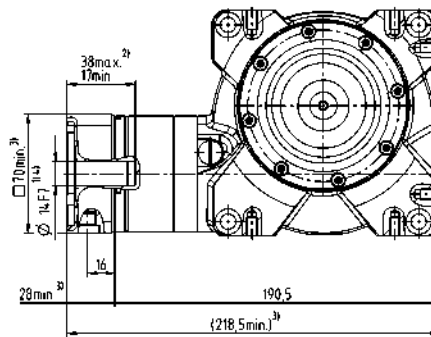
# 1-stage

up to 14/19<sup>4)</sup> (C<sup>6)</sup>/E)  
clamping hub diameter



# 2-stage

up to 14/19<sup>4)</sup> (C<sup>6)</sup>/E)  
clamping hub diameter

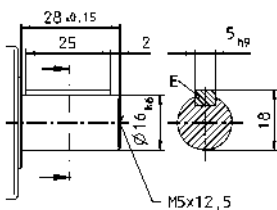


Motor shaft diameter [mm]

Optional dual-shaft output. Drawings available on request.  
Involute gearing is not possible.

## Other output variants

Shaft with key



See technical data sheet for available clamping hub diameters (mass moment of inertia). Dimensions available on request.

Non-tolerated dimensions are nominal dimensions

<sup>1)</sup> Check motor shaft fit

<sup>2)</sup> Min./Max. permissible motor shaft length

Longer motor shafts are adaptable, please contact us

<sup>3)</sup> The dimensions depend on the motor

<sup>4)</sup> Smaller motor shaft diameter is compensated by a

bushing with a minimum wall thickness of 1 mm

<sup>5)</sup> Output side

<sup>6)</sup> Standard clamping hub diameter

# NVS 050 MF 1-/2-stage

			1-stage						2-stage								
Ratio	$i$		4	7	10	16	28	40	50	70	100	140	200	280	400		
Max. torque <sup>a) b) e)</sup> (at $n_1 = 500$ rpm)	$T_{2a}$	Nm	130	150	153	157	167	141	153	150	153	167	141	167	141		
		in.lb	1151	1328	1354	1389	1478	1248	1354	1328	1354	1478	1248	1478	1248		
Emergency stop torque <sup>a) b) e)</sup> (permitted 1000 times during the service life of the gearbox)	$T_{2Not}$	Nm	230	242	242	250	262	236	242	242	242	262	236	262	236		
		in.lb	2036	2142	2142	2213	2319	2089	2142	2142	2142	2319	2089	2319	2089		
Permitted average input speed <sup>d)</sup> (at 20 °C ambient temperature)	$n_{1N}$	rpm	4000						3500								
Max. input speed	$n_{1Max}$	rpm	6000														
Mean no load running torque <sup>b)</sup> (at $n_1 = 3000$ rpm and 20 °C gearbox temperature)	$T_{012}$	Nm	2.3	2.2	1.6	1.5	1.2	1.1	0.7	0.5	0.4	0.6	0.6	0.4	0.4		
		in.lb	20.4	19.5	14.2	13.3	10.6	9.7	6.2	4.4	3.5	5.3	5.3	3.5	3.5		
Max. backlash	$j_t$	arcmin	≤ 6						≤ 7								
Torsional rigidity <sup>b)</sup>	$C_{t21}$	Nm/arcmin	8	8	8	8	8	8	8	8	8	8	8	8	8		
		in.lb/arcmin	71	71	71	71	71	71	71	71	71	71	71	71	71		
Max. axial force <sup>c)</sup>	$F_{2AMax}$	N	5000														
		lb <sub>f</sub>	1125														
Max. lateral force <sup>b)</sup>	$F_{2OMax}$	N	3800														
		lb <sub>f</sub>	855														
Max. tilting moment	$M_{2KMax}$	Nm	409														
		in.lb	3620														
Efficiency at full load (at $n_1 = 500$ rpm)	$\eta$	%	92	89	86	82	72	64	84	87	84	70	62	70	62		
Service life	$L_n$	h	> 20000														
Weight (incl. standard adapter plate)	$m$	kg	8						8.7								
		lb <sub>m</sub>	17.7						19								
Operating noise (at reference ratio and reference speed – ratio-specific values available in cymex <sup>®</sup> )	$L_{PA}$	dB(A)	≤ 62														
Max. permitted housing temperature		°C	+90														
		°F	+194														
Ambient temperature		°C	-15 to +40														
		°F	+5 to +104														
Lubrication			Lubricated for life														
Direction of rotation			See drawing														
Protection class			IP 65														
Elastomer coupling (recommended product type – validate sizing with cymex <sup>®</sup> )			ELC-00150B-022.000-X														
Bore diameter of coupling on the application side		mm	X = 022.000 - 036.000														
Mass moment of inertia (relates to the drive) Clamping hub diameter [mm]	C	14	$J_1$	kgcm <sup>2</sup>	-	-	-	-	-	-	0.21	0.16	0.16	0.2	0.21	0.16	0.16
				10 <sup>-3</sup> in.lb.s <sup>2</sup>	-	-	-	-	-	-	0.19	0.14	0.14	0.18	0.19	0.14	0.14
	E	19	$J_1$	kgcm <sup>2</sup>	1.5	1.2	1.1	1.0	0.97	1.0	0.57	0.53	0.53	0.57	0.57	0.53	0.53
				10 <sup>-3</sup> in.lb.s <sup>2</sup>	1.3	1.1	0.97	0.89	0.86	0.89	0.5	0.47	0.47	0.5	0.5	0.47	0.47
	G	24	$J_1$	kgcm <sup>2</sup>	1.6	1.3	1.2	1.1	1.1	1.2	-	-	-	-	-	-	-
				10 <sup>-3</sup> in.lb.s <sup>2</sup>	1.4	1.2	1.1	0.97	0.97	1.1	-	-	-	-	-	-	-

Please use our sizing software cymex<sup>®</sup> for a detailed sizing – [www.wittenstein-cymex.com](http://www.wittenstein-cymex.com)

<sup>a)</sup> At max. 10 %  $F_{2OMax}$

<sup>b)</sup> Valid for standard clamping hub diameter

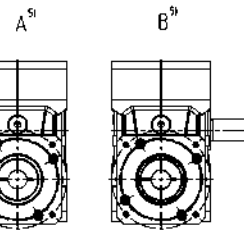
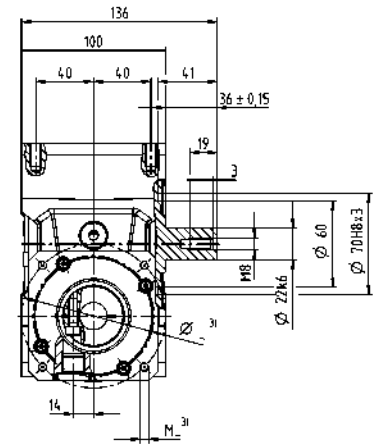
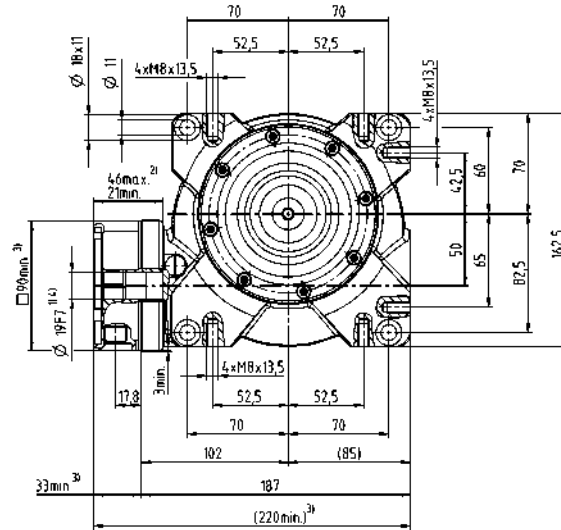
<sup>c)</sup> Refers to center of the output shaft or flange

<sup>d)</sup> Please reduce input speed at higher ambient temperatures

<sup>e)</sup> Valid for: Smooth shaft

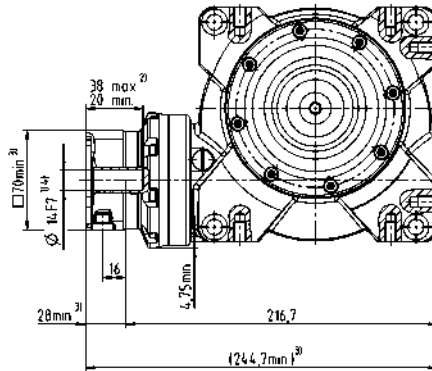
# 1-stage

up to 19<sup>4)</sup>/24 (E<sup>6)</sup>/G)  
clamping hub diameter



# 2-stage

up to 14/19<sup>4)</sup> (C<sup>6)</sup>/E)  
clamping hub diameter



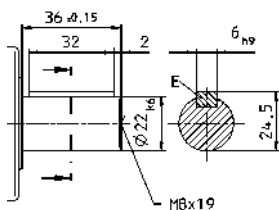
Motor shaft diameter [mm]

Optional dual-shaft output. Drawings available on request.  
Involute gearing is not possible.

Worm Gearboxes  
Value Line

## Other output variants

Shaft with key



See technical data sheet for available clamping hub diameters (mass moment of inertia). Dimensions available on request.

Non-tolerated dimensions are nominal dimensions

- <sup>1)</sup> Check motor shaft fit
- <sup>2)</sup> Min./Max. permissible motor shaft length  
Longer motor shafts are adaptable, please contact us
- <sup>3)</sup> The dimensions depend on the motor
- <sup>4)</sup> Smaller motor shaft diameter is compensated by a bushing with a minimum wall thickness of 1 mm
- <sup>5)</sup> Output side
- <sup>6)</sup> Standard clamping hub diameter

# NVS 063 MF 1-/2-stage

			1-stage						2-stage								
Ratio	<i>i</i>		4	7	10	16	28	40	50	70	100	140	200	280	400		
Max. torque <sup>a) b) e)</sup> (at $n_1 = 500$ rpm)	$T_{2a}$	Nm	250	303	319	331	365	321	319	303	319	365	321	365	321		
		in.lb	2213	2682	2823	2929	3230	2841	2823	2682	2823	3230	2841	3230	2841		
Emergency stop torque <sup>a) b) e)</sup> (permitted 1000 times during the service life of the gearbox)	$T_{2Not}$	Nm	460	484	491	494	518	447	491	484	494	518	447	518	447		
		in.lb	4071	4283	4345	4372	4584	3956	4345	4283	4372	4584	3956	4584	3956		
Permitted average input speed <sup>d)</sup> (at 20 °C ambient temperature)	$n_{1N}$	rpm	4000						3100								
Max. input speed	$n_{1Max}$	rpm	4500														
Mean no load running torque <sup>b)</sup> (at $n_1 = 3000$ rpm and 20 °C gearbox temperature)	$T_{012}$	Nm	4.2	3.1	3	2.4	2.3	2.2	1.2	0.7	0.7	1.1	1.1	0.8	0.6		
		in.lb	37.2	27.4	26.6	21.2	20.4	19.5	10.6	6.2	6.2	9.7	9.7	7.1	5.3		
Max. backlash	$j_t$	arcmin	≤ 6						≤ 7								
Torsional rigidity <sup>b)</sup>	$C_{t21}$	Nm/arcmin	28	28	28	28	28	28	28	28	28	28	28	28	28		
		in.lb/arcmin	248	248	248	248	248	248	248	248	248	248	248	248	248		
Max. axial force <sup>c)</sup>	$F_{2AMax}$	N	8250														
		lb <sub>f</sub>	1856														
Max. lateral force <sup>b)</sup>	$F_{2OMax}$	N	6000														
		lb <sub>f</sub>	1350														
Max. tilting moment	$M_{2KMax}$	Nm	843														
		in.lb	7461														
Efficiency at full load (at $n_1 = 500$ rpm)	$\eta$	%	93	91	88	83	74	68	86	89	86	72	66	72	66		
Service life	$L_n$	h	> 20000														
Weight (incl. standard adapter plate)	<i>m</i>	kg	13						13.7								
		lb <sub>m</sub>	28.7						30								
Operating noise (at reference ratio and reference speed – ratio-specific values available in cymex <sup>®</sup> )	$L_{PA}$	dB(A)	≤ 64														
Max. permitted housing temperature		°C	+90														
		°F	+194														
Ambient temperature		°C	-15 to +40														
		°F	+5 to +104														
Lubrication			Lubricated for life														
Direction of rotation			See drawing														
Protection class			IP 65														
Elastomer coupling (recommended product type – validate sizing with cymex <sup>®</sup> )			ELC-00300B-032.000-X														
Bore diameter of coupling on the application side		mm	X = 032.000 - 045.000														
Mass moment of inertia (relates to the drive) Clamping hub diameter [mm]	E	19	$J_1$	kgcm <sup>2</sup>	-	-	-	-	-	-	0.75	0.59	0.58	0.75	0.75	0.58	0.58
				10 <sup>-3</sup> in.lb.s <sup>2</sup>	-	-	-	-	-	-	0.66	0.52	0.51	0.66	0.66	0.51	0.51
	G	24	$J_1$	kgcm <sup>2</sup>	-	-	-	-	-	-	2.3	2.2	2.2	2.3	2.3	2.2	2.2
				10 <sup>-3</sup> in.lb.s <sup>2</sup>	-	-	-	-	-	-	2.0	1.9	1.9	2.0	2.0	1.9	1.9
H	28	$J_1$	kgcm <sup>2</sup>	4.9	4.0	3.8	3.7	3.6	3.6	-	-	-	-	-	-		
			10 <sup>-3</sup> in.lb.s <sup>2</sup>	4.3	3.5	3.4	3.3	3.2	3.2	-	-	-	-	-	-		

Please use our sizing software cymex<sup>®</sup> for a detailed sizing – [www.wittenstein-cymex.com](http://www.wittenstein-cymex.com)

<sup>a)</sup> At max. 10 %  $F_{2OMax}$

<sup>b)</sup> Valid for standard clamping hub diameter

<sup>c)</sup> Refers to center of the output shaft or flange

<sup>d)</sup> Please reduce input speed at higher ambient temperatures

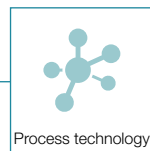
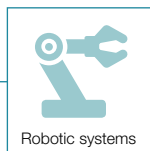
<sup>e)</sup> Valid for: Smooth shaft



# Application-specific solutions

## HYGIENIC DESIGN HDV

Our Hygienic Design products are specially developed for unusual fields of application in food processing. They are made with highly resistant stainless steel and ideally suited for cleaning with aggressive cleaning agents and disinfectants. Direct process integration allows new design freedom and an open machine concept without encasings.



# AREAS OF APPLICATION

# HDV – Reliably Clean



HDV

Aseptic, highly dynamic and outstanding positioning accuracy – the HDV was developed in accordance with EHEDG guidelines and meets the strict hygiene requirements of production and packaging facilities. The gearbox in hygienic design not only offers you maximum safety against contamination-related product and process risks, but also guarantees maximum plant availability and productivity of the equipment.

## PRODUCT HIGHLIGHTS



### New design freedom

Direct process integration opens up new design options.



### Resistance

Resistant against chemical cleaning agents and disinfectants.



### Cleaning

Fast, efficient, and safe cleaning, also suitable for CIP processes.



### Max. achievable impermeability

IP69X (max. 30 bar).  
Relating to DIN 60529:2014-09



Pharmaceuticals – bottling plant for liquid pharmaceutical products



Cosmetics – bottling plant for creams





More information about the HDV: simply scan the QR code using your smartphone. [www.wittenstein.de/en-en/hygienic-design](http://www.wittenstein.de/en-en/hygienic-design)



- A Certification**
- FDA certified
  - NSF certified

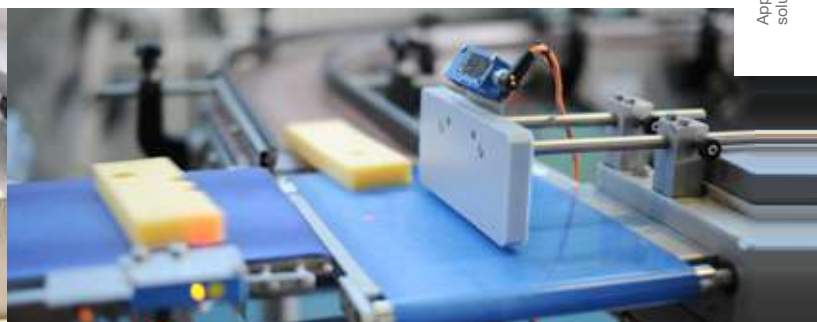
- B Surface texture**
- Smooth-rolled surface made of hygienic steel 1.4404
  - Electropolished surface also optionally possible

- C Cavity-free housing design**
- No undercuts
  - Large radii
  - No horizontal surfaces

- D Maximum safety**
- Triple sealing concept
  - Seals resistant to cleaning agents
  - IP69X (max. 30 bar)



Sweet goods – packaging plant for cookies



Milk products – cheese processing plant

# HDV 015 MF 1-/2-stage

			1-stage				2-stage							
Ratio	i		4	5	7	10	16	20	25	35	50	70	100	
Max. torque <sup>a) b) e)</sup>	$T_{2a}$	Nm	51	51	51	46	51	51	51	51	51	51	46	
		in.lb	451	451	451	407	451	451	451	451	451	451	407	
Max. acceleration torque <sup>e)</sup> (max. 1000 cycles per hour)	$T_{2B}$	Nm	32	32	32	29	32	32	32	32	32	32	29	
		in.lb	283	283	283	257	283	283	283	283	283	283	257	
Emergency stop torque <sup>a) b) e)</sup> (permitted 1000 times during the service life of the gearbox)	$T_{2Not}$	Nm	75	75	75	75	75	75	75	75	75	75	75	
		in.lb	664	664	664	664	664	664	664	664	664	664	664	
Permitted average input speed <sup>d)</sup> (at $T_{2N}$ and 20 °C ambient temperature)	$n_{1N}$	rpm	3000	3000	3000	3000	3700	3700	3700	3700	3700	3700	3700	
Max. input speed	$n_{1Max}$	rpm	6000	6000	6000	6000	6000	6000	6000	6000	6000	6000	6000	
Mean no load running torque <sup>b)</sup> (at $n_1=3000$ rpm and 20 °C gearbox temperature)	$T_{012}$	Nm	0.15	0.15	0.15	0.15	0.15	0.15	0.15	0.15	0.15	0.15	0.15	
		in.lb	1.3	1.3	1.3	1.3	1.3	1.3	1.3	1.3	1.3	1.3	1.3	
Max. backlash	$j_t$	arcmin	≤ 10				≤ 15							
Torsional rigidity <sup>b)</sup>	$C_{t21}$	Nm/arcmin	2.3	2.3	2.3	2	2.3	2.3	2.3	2.3	2.3	2.3	2	
		in.lb/arcmin	20	20	20	18	20	20	20	20	20	20	18	
Max. axial force <sup>c)</sup> (Standard / HIGH FORCES)	$F_{2AMax}$	N	500 / 1000				500 / 1000							
		lb <sub>f</sub>	113 / 225				113 / 225							
Max. lateral force <sup>c)</sup> (Standard / HIGH FORCES)	$F_{2QMax}$	N	350 / 1600				350 / 1600							
		lb <sub>f</sub>	79 / 360				79 / 360							
Max. tilting moment (Standard / HIGH FORCES)	$M_{2KMax}$	Nm	20 / 105				20 / 105							
		in.lb	177 / 929				177 / 929							
Efficiency at full load	$\eta$	%	97				95							
Service life	$L_n$	h	> 20000				> 20000							
Weight (incl. standard adapter plate)	m	kg	3.2				3.8							
		lb <sub>m</sub>	7.1				8.4							
Operating noise (at reference ratio and reference speed – ratio-specific values available in cymex®)	$L_{pA}$	dB(A)	≤ 60				≤ 60							
Max. permitted housing temperature		°C	+90				+90							
		°F	+194				+194							
Ambient temperature		°C	-25 to +40				-25 to +40							
		°F	-13 to +104				-13 to +104							
Lubrication			Lubricated for life											
Direction of rotation			In- and output same direction											
Protection class <sup>g)</sup>			IP69K (max. 30 bar)											
Elastomer coupling (recommended product type – validate sizing with cymex®)			-											
Bore diameter of coupling on the application side		mm	-											
Mass moment of inertia (relates to the drive) Clamping hub diameter [mm]	C	14	$J_1$	kgcm <sup>2</sup>	0.18	0.17	0.15	0.15	0.17	0.16	0.16	0.15	0.15	0.15
				10 <sup>-3</sup> in.lb.s <sup>2</sup>	0.16	0.15	0.13	0.13	0.15	0.14	0.14	0.13	0.13	0.13

Please use our sizing software cymex® for a detailed sizing – [www.wittenstein-cymex.com](http://www.wittenstein-cymex.com)

<sup>a)</sup> Valid for torque transmission only

<sup>b)</sup> Valid for standard clamping hub diameter

<sup>c)</sup> Refers to center of the output shaft or flange

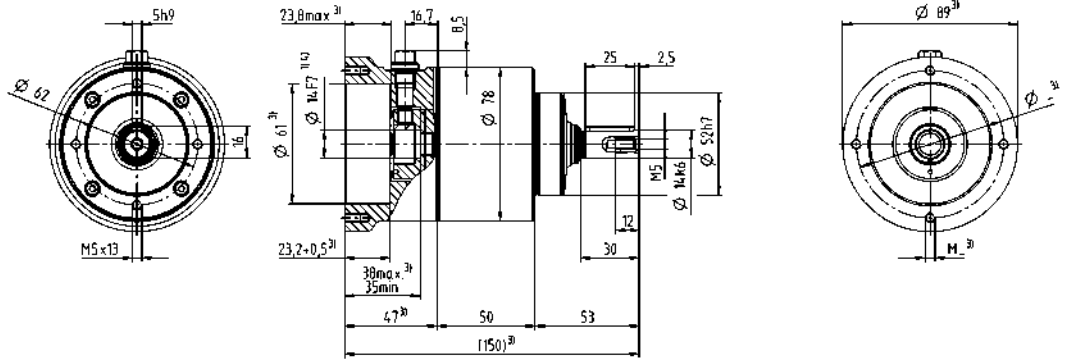
<sup>d)</sup> Please reduce input speed at higher ambient temperatures

<sup>e)</sup> Valid for: Smooth shaft

<sup>g)</sup> Applies at standstill, for details see operating instructions

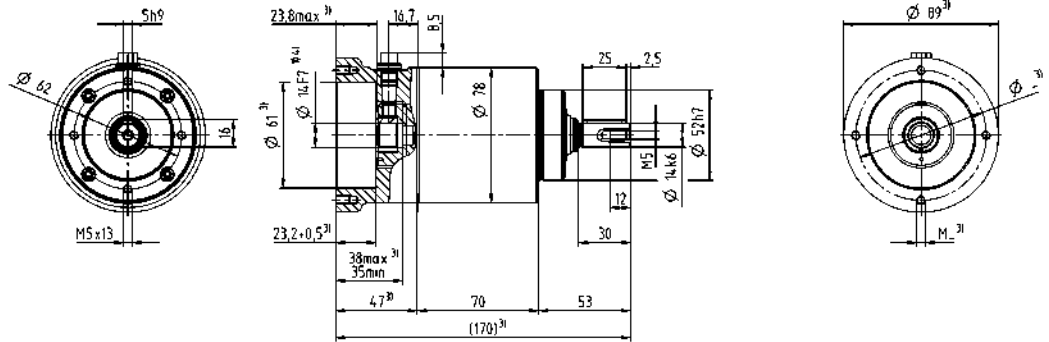
# 1-stage

up to 14<sup>4)</sup> (C)<sup>5)</sup>  
clamping hub  
diameter

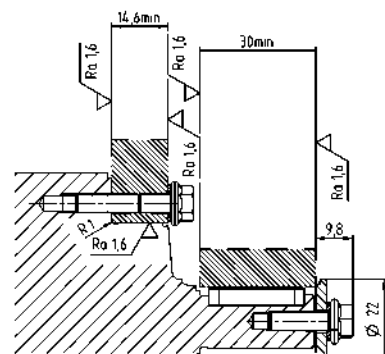


# 2-stage

up to 14<sup>4)</sup> (C)<sup>5)</sup>  
clamping hub  
diameter

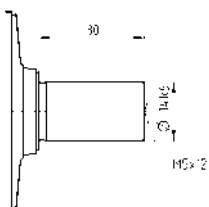


Motor shaft diameter [mm]



## Other output variants

Smooth shaft



Mounting accessories:

Mounting kit comprising stainless steel screws, washers, seals and O-rings available as an option.

Non-tolerated dimensions are nominal dimensions

<sup>1)</sup> Check motor shaft fit

<sup>2)</sup> Min. / Max. permissible motor shaft length

Longer motor shafts are possible, please contact alpha

<sup>3)</sup> The dimensions depend on the motor

<sup>4)</sup> Smaller motor shaft diameter is compensated by a bushing with a minimum wall thickness of 1 mm

<sup>5)</sup> Standard clamping hub diameter

# HDV 025 MF 1-/2-stage

			1-stage				2-stage								
Ratio	i		4	5	7	10	16	20	25	35	50	70	100		
Max. torque <sup>a) b) e)</sup>	$T_{2a}$	Nm	128	128	128	115	128	128	128	128	128	128	115		
		in.lb	1133	1133	1133	1018	1133	1133	1133	1133	1133	1133	1018		
Max. acceleration torque <sup>e)</sup> (max. 1000 cycles per hour)	$T_{2B}$	Nm	80	80	80	72	80	80	80	80	80	80	72		
		in.lb	708	708	708	637	708	708	708	708	708	708	637		
Emergency stop torque <sup>a) b) e)</sup> (permitted 1000 times during the service life of the gearbox)	$T_{2Not}$	Nm	190	190	190	190	190	190	190	190	190	190	190		
		in.lb	1682	1682	1682	1682	1682	1682	1682	1682	1682	1682	1682		
Permitted average input speed <sup>d)</sup> (at $T_{2N}$ and 20 °C ambient temperature)	$n_{1N}$	rpm	2700	2700	2700	2700	3400	3400	3400	3400	3400	3400	3400		
Max. input speed	$n_{1Max}$	rpm	6000	6000	6000	6000	6000	6000	6000	6000	6000	6000	6000		
Mean no load running torque <sup>b)</sup> (at $n_1=3000$ rpm and 20 °C gearbox temperature)	$T_{012}$	Nm	0.3	0.3	0.3	0.3	0.3	0.3	0.3	0.3	0.3	0.3	0.3		
		in.lb	2.7	2.7	2.7	2.7	2.7	2.7	2.7	2.7	2.7	2.7	2.7		
Max. backlash	$j_t$	arcmin	≤ 10				≤ 15								
Torsional rigidity <sup>b)</sup>	$C_{t21}$	Nm/arcmin	7.5	7.5	7.5	5.5	7.5	7.5	7.5	7.5	7.5	7.5	5.5		
		in.lb/arcmin	66	66	66	49	66	66	66	66	66	66	49		
Max. axial force <sup>c)</sup> (Standard / HIGH FORCES)	$F_{2AMax}$	N	500 / 1500				500 / 1500								
		lb <sub>f</sub>	113 / 338				113 / 338								
Max. lateral force <sup>c)</sup> (Standard / HIGH FORCES)	$F_{2QMMax}$	N	500 / 2500				500 / 2500								
		lb <sub>f</sub>	113 / 563				113 / 563								
Max. tilting moment (Standard / HIGH FORCES)	$M_{2KMMax}$	Nm	31 / 185				31 / 185								
		in.lb	274 / 1637				274 / 1637								
Efficiency at full load	$\eta$	%	97				95								
Service life	$L_n$	h	> 20000				> 20000								
Weight (incl. standard adapter plate)	$m$	kg	5.2				6.5								
		lb <sub>m</sub>	11				14								
Operating noise (at reference ratio and reference speed – ratio-specific values available in cymex®)	$L_{pA}$	dB(A)	≤ 63				≤ 63								
Max. permitted housing temperature		°C	+90				+90								
		°F	+194				+194								
Ambient temperature		°C	-25 to +40				-25 to +40								
		°F	-13 to +104				-13 to +104								
Lubrication			Lubricated for life												
Direction of rotation			In- and output same direction												
Protection class <sup>g)</sup>			IP69K (max. 30 bar)												
Elastomer coupling (recommended product type – validate sizing with cymex®)			-												
Bore diameter of coupling on the application side		mm	-												
Mass moment of inertia (relates to the drive) Clamping hub diameter [mm]	E	19	$J_1$	kgcm <sup>2</sup>	0.63	0.54	0.52	0.46	0.6	0.52	0.54	0.5	0.52	0.52	0.46
				10 <sup>-3</sup> in.lb.s <sup>2</sup>	0.56	0.48	0.46	0.41	0.53	0.46	0.48	0.44	0.46	0.46	0.41

Please use our sizing software cymex® for a detailed sizing – [www.wittenstein-cymex.com](http://www.wittenstein-cymex.com)

<sup>a)</sup> Valid for torque transmission only

<sup>b)</sup> Valid for standard clamping hub diameter

<sup>c)</sup> Refers to center of the output shaft or flange

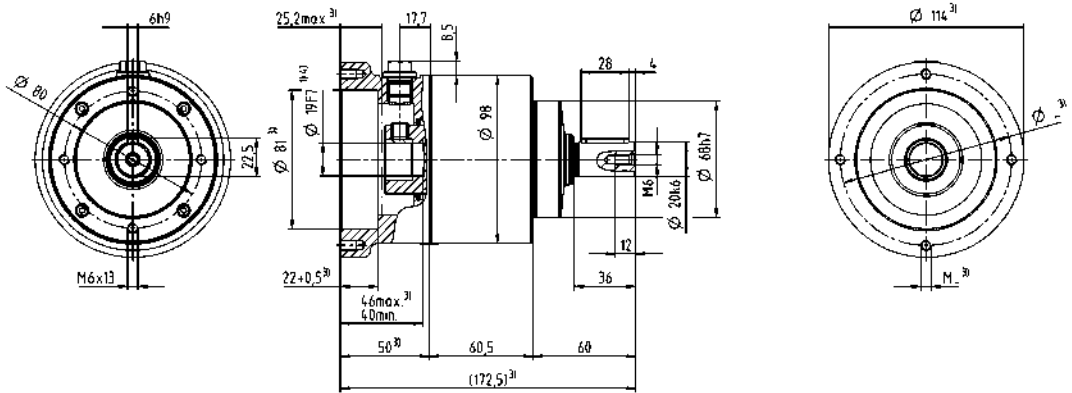
<sup>d)</sup> Please reduce input speed at higher ambient temperatures

<sup>e)</sup> Valid for: Smooth shaft

<sup>g)</sup> Applies at standstill, for details see operating instructions

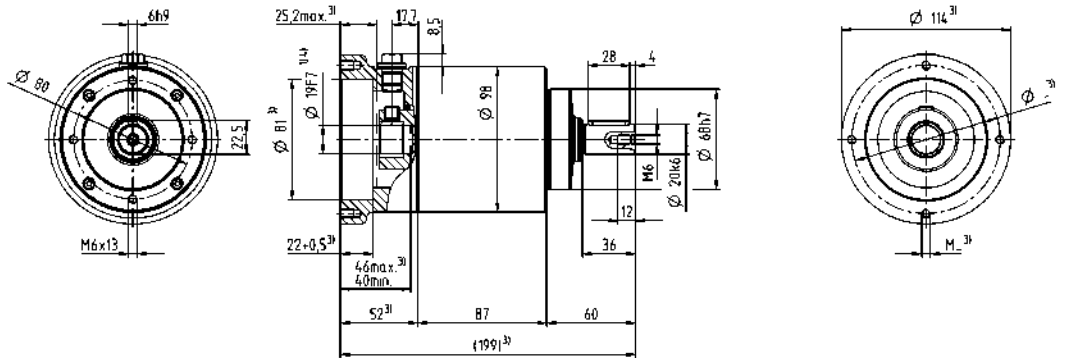
# 1-stage

up to 19<sup>4)</sup> (E<sup>5)</sup>  
clamping hub  
diameter



# 2-stage

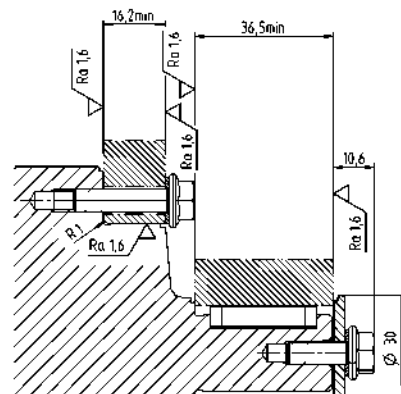
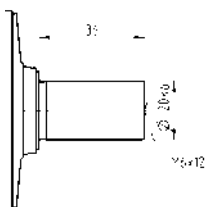
up to 19<sup>4)</sup> (E<sup>5)</sup>  
clamping hub  
diameter



Motor shaft diameter [mm]

## Other output variants

Smooth shaft



Mounting accessories:

Mounting kit comprising stainless steel screws, washers, seals and O-rings available as an option.

Non-tolerated dimensions are nominal dimensions

<sup>1)</sup> Check motor shaft fit

<sup>2)</sup> Min. / Max. permissible motor shaft length

Longer motor shafts are possible, please contact alpha

<sup>3)</sup> The dimensions depend on the motor

<sup>4)</sup> Smaller motor shaft diameter is compensated by a bushing with a minimum wall thickness of 1 mm

<sup>5)</sup> Standard clamping hub diameter

# HDV 035 MF 1-/2-stage

			1-stage				2-stage								
Ratio	i		4	5	7	10	16	20	25	35	50	70	100		
Max. torque <sup>a) b) e)</sup>	$T_{2a}$	Nm	320	320	320	288	320	320	320	320	320	320	288		
		in.lb	2832	2832	2832	2549	2832	2832	2832	2832	2832	2832	2832	2549	
Max. acceleration torque <sup>e)</sup> (max. 1000 cycles per hour)	$T_{2B}$	Nm	200	200	200	180	200	200	200	200	200	200	180		
		in.lb	1770	1770	1770	1593	1770	1770	1770	1770	1770	1770	1770	1593	
Emergency stop torque <sup>a) b) e)</sup> (permitted 1000 times during the service life of the gearbox)	$T_{2Not}$	Nm	480	480	480	480	480	480	480	480	480	480	480		
		in.lb	4248	4248	4248	4248	4248	4248	4248	4248	4248	4248	4248	4248	
Permitted average input speed <sup>d)</sup> (at $T_{2N}$ and 20 °C ambient temperature)	$n_{1N}$	rpm	2000	2000	2000	2000	2600	2600	2600	2600	2600	2600	2600		
Max. input speed	$n_{1Max}$	rpm	4800	4800	4800	4800	4800	4800	4800	4800	4800	4800	4800		
Mean no load running torque <sup>b)</sup> (at $n_1=3000$ rpm and 20 °C gearbox temperature)	$T_{012}$	Nm	0.5	0.5	0.5	0.5	0.5	0.5	0.5	0.5	0.5	0.5	0.5		
		in.lb	4.4	4.4	4.4	4.4	4.4	4.4	4.4	4.4	4.4	4.4	4.4	4.4	
Max. backlash	$j_t$	arcmin	≤ 10				≤ 15								
Torsional rigidity <sup>b)</sup>	$C_{t21}$	Nm/arcmin	24	24	24	22	24	24	24	24	24	24	24	22	
		in.lb/arcmin	212	212	212	195	212	212	212	212	212	212	212	195	
Max. axial force <sup>c)</sup> (Standard / HIGH FORCES)	$F_{2AMax}$	N	1700 / 3000				1700 / 3000								
		lb <sub>f</sub>	383 / 675				383 / 675								
Max. lateral force <sup>c)</sup> (Standard / HIGH FORCES)	$F_{2QMax}$	N	1200 / 4250				1200 / 4250								
		lb <sub>f</sub>	270 / 956				270 / 956								
Max. tilting moment (Standard / HIGH FORCES)	$M_{2KMax}$	Nm	95 / 407				95 / 407								
		in.lb	841 / 3602				841 / 3602								
Efficiency at full load	$\eta$	%	97				95								
Service life	$L_n$	h	> 20000				> 20000								
Weight (incl. standard adapter plate)	m	kg	13.6				16.6								
		lb <sub>m</sub>	30				37								
Operating noise (at reference ratio and reference speed – ratio-specific values available in cymex®)	$L_{pA}$	dB(A)	≤ 68				≤ 68								
Max. permitted housing temperature		°C	+90				+90								
		°F	+194				+194								
Ambient temperature		°C	-25 to +40				-25 to +40								
		°F	-13 to +104				-13 to +104								
Lubrication			Lubricated for life												
Direction of rotation			In- and output same direction												
Protection class <sup>g)</sup>			IP69K (max. 30 bar)												
Elastomer coupling (recommended product type – validate sizing with cymex®)			-												
Bore diameter of coupling on the application side		mm	-												
Mass moment of inertia (relates to the drive) Clamping hub diameter [mm]	G	24	$J_1$	kgcm <sup>2</sup>	2.6	2.3	2	1.8	2.3	2.1	2.1	1.9	1.8	1.8	1.8
				10 <sup>-3</sup> in.lb.s <sup>2</sup>	2.3	2	1.8	1.6	2	1.9	1.9	1.7	1.6	1.6	1.6

Please use our sizing software cymex® for a detailed sizing – [www.wittenstein-cymex.com](http://www.wittenstein-cymex.com)

<sup>a)</sup> Valid for torque transmission only

<sup>b)</sup> Valid for standard clamping hub diameter

<sup>c)</sup> Refers to center of the output shaft or flange

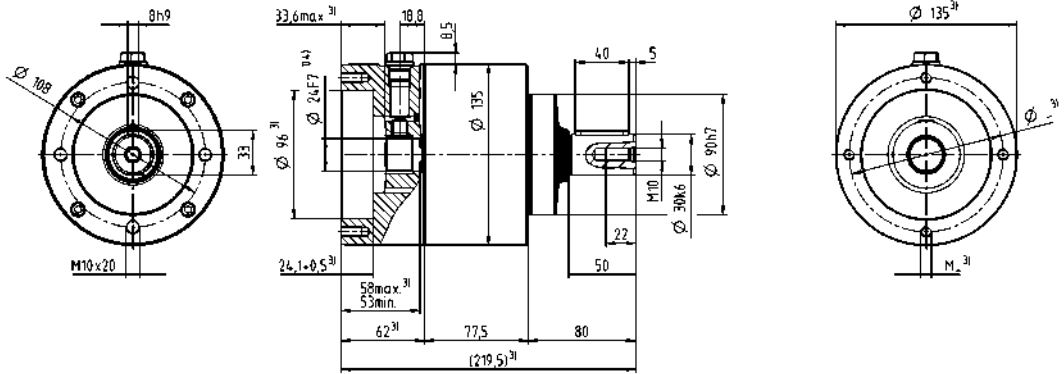
<sup>d)</sup> Please reduce input speed at higher ambient temperatures

<sup>e)</sup> Valid for: Smooth shaft

<sup>g)</sup> Applies at standstill, for details see operating instructions

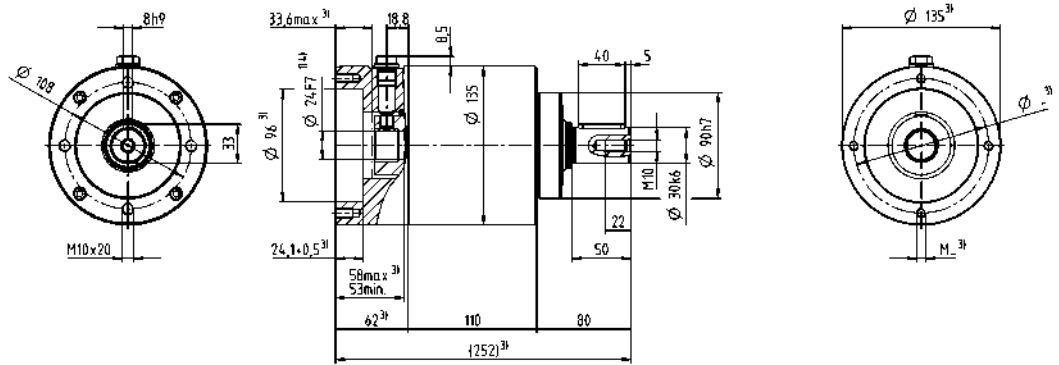
# 1-stage

up to 24<sup>4)</sup> (G)<sup>5)</sup>  
clamping hub diameter

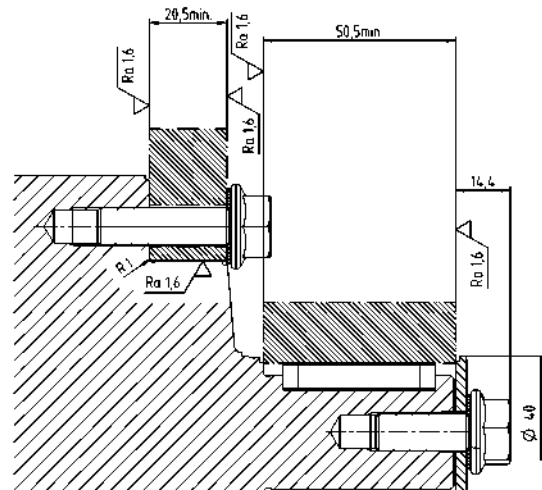


# 2-stage

up to 24<sup>4)</sup> (G)<sup>5)</sup>  
clamping hub diameter

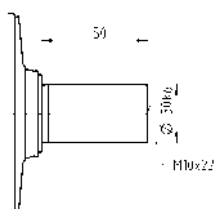


Motor shaft diameter [mm]



## Other output variants

Smooth shaft



### Mounting accessories:

Mounting kit comprising stainless steel screws, washers, seals and O-rings available as an option.

Non-tolerated dimensions are nominal dimensions

<sup>1)</sup> Check motor shaft fit

<sup>2)</sup> Min. / Max. permissible motor shaft length

Longer motor shafts are possible, please contact alpha

<sup>3)</sup> The dimensions depend on the motor

<sup>4)</sup> Smaller motor shaft diameter is compensated by a bushing with a minimum wall thickness of 1 mm

<sup>5)</sup> Standard clamping hub diameter

# Basic Line gearbox overview



Product type		CP	CPS	CPK	CPSK	CVH	CVS
Version		MF	MF	MF	MF	MF / MT	MF / MT
Catalog pages		22	40	56	74	92	98
Ratio <sup>c)</sup>	min. $i =$	3	3	3	3	7	7
	max. $i =$	100	100	100	100	40	40
Max. torsional backlash [arcmin] <sup>c)</sup>	Standard	≤ 12	≤ 12	≤ 15	≤ 15	≤ 15	≤ 15
	Reduced	–	–	–	–	–	–
<b>Output type</b>							
Smooth shaft		x	x	x	x	–	x
Shaft with key <sup>d)</sup>		x	x	x	x	–	x
Splined shaft (DIN 5480)		–	–	–	–	–	–
Blind hollow shaft		–	–	–	–	–	–
Hollow shaft interface		–	–	–	–	x	–
Keyed hollow shaft		–	–	–	–	x	–
Flanged hollow shaft		–	–	–	–	–	–
Flange		–	–	–	–	–	–
System output		–	–	–	–	–	–
Output on both sides		–	–	–	–	x	x
<b>Input type</b>							
Motor-mounted		x	x	x	x	x	x
Self-contained version <sup>b)</sup>		–	–	–	–	–	–
<b>Characteristic</b>							
Flange with slotted holes		–	–	–	–	–	–
ATEX <sup>a)</sup>		–	–	–	–	–	–
Food-grade lubrication <sup>a) b)</sup>		x	x	x	x	x	x
Corrosion resistant <sup>a) b)</sup>		–	–	–	–	–	–
Optimized mass inertia <sup>a)</sup>		–	–	–	–	–	–
<b>System solutions</b>							
Linear system (rack/pinion)		–	–	–	–	–	–
Servo actuator		–	–	–	–	–	–
<b>Accessories</b> (please refer to the product pages for further options)							
Coupling		x	x	x	x	–	x
Shrink disc		–	–	–	–	x	–

<sup>a)</sup> Power reduction: technical data available on request

<sup>b)</sup> Please contact WITTENSTEIN alpha

<sup>c)</sup> In relation to reference sizes

<sup>d)</sup> Power reduction: Please use our sizing software cymex® for a detailed sizing – [www.wittenstein-cymex.com](http://www.wittenstein-cymex.com)



# Value Line gearbox overview



Product type		NP	NPL	NPS	NPT	NPR	NTP	NPK	NPLK	NPSK	NPTK	NPRK	NVH	NVS	HDV
Version		MF/MA	MF/MA	MF/MA	MF/MA	MF/MA	MQ	MF	MF	MF	MF	MF	MF	MF	MF/MT
Catalog pages		110	134	154	174	198	218	238	254	268	282	298	316	322	332
Ratio <sup>c)</sup>	min. $i =$	3	3	3	3	3	4	3	3	3	3	3	4	4	4
	max. $i =$	100	100	100	100	100	100	100	100	100	100	100	100	400	400
Max. torsional backlash [arcmin] <sup>c)</sup>	Standard	≤ 8	≤ 8	≤ 8	≤ 8	≤ 8	≤ 5	≤ 11	≤ 11	≤ 11	≤ 11	≤ 11	≤ 6	≤ 6	≤ 10
	Reduced	-	-	-	-	-	-	-	-	-	-	-	-	-	-
<b>Output type</b>															
Smooth shaft		x	x	x	-	x	-	x	x	x	-	x	-	x	x
Shaft with key <sup>d)</sup>		x	x	x	-	x	-	x	x	x	-	x	-	x	x
Splined shaft (DIN 5480)		-	x	x	-	x	-	-	x	x	-	x	-	-	-
Blind hollow shaft		-	-	-	-	-	-	-	-	-	-	-	-	-	-
Hollow shaft interface		-	-	-	-	-	-	-	-	-	-	-	x	-	-
Keyed hollow shaft		-	-	-	-	-	-	-	-	-	-	-	x	-	-
Flanged hollow shaft		-	-	-	-	-	-	-	-	-	-	-	-	-	-
Flange		-	-	-	x	-	x	-	-	-	x	-	-	-	-
System output		-	-	-	-	-	-	-	-	-	-	-	-	-	-
Output on both sides		-	-	-	-	-	-	-	-	-	-	-	x	x	-
<b>Input type</b>															
Motor-mounted		x	x	x	x	x	x	x	x	x	x	x	x	x	x
Self-contained version <sup>b)</sup>		-	-	-	-	-	-	-	-	-	-	-	-	-	-
<b>Characteristic</b>															
Flange with slotted holes		-	-	-	-	x	-	-	-	-	-	x	-	-	-
ATEX <sup>a)</sup>		-	-	-	-	-	-	-	-	-	-	-	-	-	-
Food-grade lubrication <sup>a) b)</sup>		x	x	x	x	x	x	x	x	x	x	x	x	x	x
Corrosion resistant <sup>a) b)</sup>		-	-	-	-	-	-	-	-	-	-	-	x	x	x
Optimized mass inertia <sup>a)</sup>		-	-	-	-	-	-	-	-	-	-	-	-	-	-
<b>System solutions</b>															
Linear system (rack/pinion)		x	x	x	-	x	-	x	x	x	-	x	-	x	-
Servo actuator		-	-	-	-	-	-	-	-	-	-	-	-	-	x
<b>Accessories</b> (please refer to the product pages for further options)															
Coupling		x	x	x	x	x	x	x	x	x	-	x	-	x	-
Shrink disc		-	-	-	-	-	-	-	-	-	-	-	x	-	-

<sup>a)</sup> Power reduction: technical data available on request

<sup>b)</sup> Please contact WITTENSTEIN alpha

<sup>c)</sup> In relation to reference sizes

<sup>d)</sup> Power reduction: Please use our sizing software cymex® for a detailed sizing – [www.wittenstein-cymex.com](http://www.wittenstein-cymex.com)

# Advanced Line gearbox overview



Product type		SP+	SP+ HIGH SPEED	SP+ HIGH SPEED friction optimized	TP+	TP+ HIGH TORQUE	HG+	SK+	SPK+
Version		MF	MC	MC-L	MF	MA	MF	MF	MF
Ratio <sup>c)</sup>	min. $i =$	3	3	3	4	22	3	3	12
	max. $i =$	100	100	10	100	302.5	100	100	10000
Max. torsional backlash [arcmin] <sup>c)</sup>	Standard	≤ 3	≤ 4	≤ 4	≤ 3	≤ 1	≤ 4	≤ 4	≤ 4
	Reduced	≤ 1	≤ 2	≤ 2	≤ 1	–	–	–	≤ 2
<b>Output type</b>									
Smooth shaft		x	x	x	–	–	–	x	x
Shaft with key <sup>d)</sup>		x	x	x	–	–	–	x	x
Splined shaft (DIN 5480)		x	x	x	–	–	–	x	x
Blind hollow shaft		x	x	x	–	–	–	–	x
Hollow shaft interface		–	–	–	–	–	x	–	–
Keyed hollow shaft		–	–	–	–	–	–	–	–
Flanged hollow shaft		–	–	–	–	–	–	–	–
Flange		–	–	–	x	x	–	–	–
System output		–	–	–	x	x	–	–	–
Output on both sides		–	–	–	–	–	x	x	x
<b>Input type</b>									
Motor-mounted		x	x	x	x	x	x	x	x
Self-contained version <sup>b)</sup>		x	–	–	x	–	–	–	–
<b>Characteristic</b>									
Flange with slotted holes		x	–	–	–	–	–	–	–
ATEX <sup>a)</sup>		x	x	–	–	–	x	x	–
Food-grade lubrication <sup>a) b)</sup>		x	x	x	x	x	x	x	x
Corrosion resistant <sup>a) b)</sup>		x	x	x	x	x	x	x	x
Optimized mass inertia <sup>a)</sup>		x	x	x	x	x	–	–	–
<b>System solutions</b>									
Linear system (rack/pinion)		x	x	–	x	x	–	x	x
Servo actuator		x	–	–	x	x	–	–	–
<b>Accessories</b> (please refer to the product pages for further options)									
Coupling		x	x	x	x	x	–	x	x
Shrink disc		x	x	x	–	–	x	–	x

<sup>a)</sup> Power reduction: technical data available on request

<sup>b)</sup> Please contact WITTENSTEIN alpha

<sup>c)</sup> In relation to reference sizes

<sup>d)</sup> Power reduction: Please use our sizing software cymex® for a detailed sizing – [www.wittenstein-cymex.com](http://www.wittenstein-cymex.com)



TK+	TPK+	TPK+ HIGH TORQUE	SC+	SPC+	TPC+	VH+	VS+	VT+	DP+	HDP+
MF	MF	MA	MF	MF	MF	MF	MF	MF	MF / MA	MA
3	12	66	1	4	4	4	4	4	16	22
100	10000	5500	2	20	20	400	400	400	55	55
≤ 4	≤ 4	≤ 1.3	≤ 4	≤ 4	≤ 4	≤ 3	≤ 3	≤ 3	≤ 3	≤ 1
-	≤ 2	-	-	≤ 2	≤ 2	≤ 2	≤ 2	≤ 2	≤ 1	-

-	-	-	x	x	-	-	x	-	-	-
-	-	-	x	x	-	-	x	-	-	-
-	-	-	-	x	-	-	x	-	-	-
-	-	-	-	x	-	-	-	-	-	-
-	-	-	-	-	-	x	-	-	-	-
-	-	-	-	-	-	x	-	-	-	-
x	-	-	-	-	-	-	-	x	-	-
-	x	x	-	-	x	-	-	-	x	x
-	x	x	-	-	x	-	-	-	-	-
x	x	x	-	-	-	x	x	-	-	-

x	x	x	x	x	x	x	x	x	x	x
-	-	-	-	-	-	-	-	-	-	-

-	-	-	-	-	-	-	-	-	-	-
x	-	-	-	-	-	-	-	-	-	-
x	x	x	x	x	x	x	x	x	x	x
x	x	x	-	-	-	x	x	x	x	x
-	-	-	-	-	-	-	-	-	x	x

x	x	x	x	x	x	-	x	x	-	-
-	-	-	-	-	-	-	-	-	-	-

x	x	x	x	x	x	-	x	x	-	-
-	-	-	-	x	-	x	-	-	-	-

# Premium Line gearbox overview



Product type		XP+	XP+ HIGH TORQUE	XP+ HIGH SPEED	RP+	RP+ HIGH TORQUE	XPK+	RPK+	XPC+	RPC+
Version		MF	MA	MC	MF	MA	MF	MA	MF	MA
Ratio <sup>c)</sup>	min. $i =$	3	5.5	3	4	5.5	12	48	4	22
	max. $i =$	100	55	100	10	220	1000	5500	20	55
Max. torsional backlash [arcmin] <sup>c)</sup>	Standard	≤ 3	≤ 1	≤ 4	≤ 3	≤ 1	≤ 4	≤ 1.3	≤ 4	≤ 1.3
	Reduced	≤ 1	–	≤ 2	≤ 1	–	≤ 2	–	≤ 2	–
<b>Output shape</b>										
Smooth shaft		x	x	x	–	–	x	–	x	–
Shaft with key <sup>d)</sup>		x	–	x	–	–	x	–	x	–
Splined shaft (DIN 5480)		x	x	x	–	–	x	–	x	–
Blind hollow shaft		x	x	x	–	–	x	–	x	–
Hollow shaft interface		–	–	–	–	–	–	–	–	–
Keyed hollow shaft		–	–	–	–	–	–	–	–	–
Flanged hollow shaft		–	–	–	–	–	–	–	–	–
Flange		–	–	–	x	x	–	x	–	x
System output		x	x	x	x	x	x	x	x	x
Output on both sides		–	–	–	–	–	–	–	–	–
<b>Input type</b>										
Motor-mounted		x	x	x	x	x	x	x	x	x
Self-contained version <sup>b)</sup>		x	–	–	–	–	–	–	–	–
<b>Characteristic</b>										
Flange with slotted holes		x	x	x	x	x	x	x	x	x
ATEX <sup>a)</sup>		–	–	–	–	–	–	–	–	–
Food-grade lubrication <sup>a) b)</sup>		x	x	x	x	x	x	x	x	x
Corrosion resistant <sup>a) b)</sup>		–	–	–	–	–	–	–	–	–
Optimized mass inertia <sup>a)</sup>		x	–	x	x	x	–	–	–	–
<b>System solutions</b>										
Linear system (rack / pinion)		x	x	x	x	x	x	x	x	x
Servo actuator		x	–	–	x	x	–	–	–	–
<b>Accessories</b> (please refer to the product pages for further options)										
Coupling		x	x	x	–	–	x	–	x	–
Shrink disc		x	–	x	–	–	x	–	x	–

<sup>a)</sup> Power reduction: technical data available on request

<sup>b)</sup> Please contact WITTENSTEIN alpha

<sup>c)</sup> In relation to reference sizes

<sup>d)</sup> Power reduction: Please use our sizing software cymex® for a detailed sizing – [www.wittenstein-cymex.com](http://www.wittenstein-cymex.com)

# Servo actuator overview



Product type		PBG	PAG	PHG	RPM <sup>a</sup>	TPM <sup>+</sup> DYNAMIC	TPM <sup>+</sup> HIGH TORQUE	TPM <sup>+</sup> POWER	AVF
Version		Standard	Standard	Standard	Customer specific	Standard	Standard	Standard	Standard
Ratio <sup>c</sup>	min. $i =$	16	16	16	22	16	22	4	10
	max. $i =$	100	100	100	220	91	220	100	25
Max. torsional backlash <sup>c</sup> [arcmin]	Standard	≤ 5	≤ 3	≤ 4	≤ 1	≤ 3	≤ 1	≤ 3	≤ 10
	Reduced	≤ 3	≤ 1	≤ 2	–	≤ 1	≤ 1	≤ 1	–
<b>Output shape</b>									
Smooth shaft		x	–	x	–	–	–	–	x
Shaft with key <sup>d</sup>		x	–	x	–	–	–	–	x
Splined shaft (DIN 5480)		x	–	x	–	–	–	–	–
Blind hollow shaft		–	–	–	–	–	–	–	–
Hollow shaft interface		–	–	–	–	–	–	–	–
Keyed hollow shaft		–	–	–	–	–	–	–	–
Flanged hollow shaft		–	–	–	–	–	–	–	–
Flange		–	x	–	x	x	x	x	–
System output		–	x	x	x	x	x	x	–
Output on both sides		–	–	–	–	–	–	–	–
<b>Input type</b>									
Motor-mounted		–	–	–	–	–	–	–	–
Self-contained version		–	–	–	–	–	–	–	–
<b>Characteristic</b>									
Flange with slotted holes		–	–	x	x	–	–	–	–
ATEX <sup>a1</sup>		–	–	–	–	–	–	–	–
Food-grade lubrication <sup>a1 b1</sup>		x	x	x	x	x	x	x	x
Corrosion resistant <sup>a1 b1</sup>		–	–	–	–	x	x	x	x
Optimized mass Inertia <sup>a1</sup>		–	–	–	–	–	–	–	–
<b>System solutions</b>									
Linear system (rack / pinion)		x	x	x	x	x	x	x	–
<b>Accessories</b> (please refer to the product pages for further options)									
Coupling		x	x	–	–	x	x	x	–
Shrink disc		x	–	x	–	–	–	–	–
Power cable, signal cable, hybrid cable		x	x	x	x	x	x	x	x

<sup>a1</sup> Power reduction: technical data available on request

<sup>b1</sup> Please contact WITTENSTEIN alpha

<sup>c</sup> In relation to reference sizes

<sup>d</sup> Power reduction: Please use our sizing software cymex® for a detailed sizing – [www.wittenstein-cymex.com](http://www.wittenstein-cymex.com)

# Value Linear Systems

## System solutions count

The Value Linear Systems are adapted to linear applications in the Value Segment with comparatively low requirements in terms of smooth running, positioning accuracy, and feed force. The systems are typically used in woodworking machinery, plasma cutting systems, and automation.

## High-end technology – the R-flange

The R-flange adapted from the Premium Segment allows greater design freedom in the Value Segment. The gearbox flange with integrated slots enables easy positioning of the gearbox with mounted pinion in relation to the rack. Cumber- some solutions with complicated designs featuring intermedi- ate plates are therefore not required.

## The alpha preferred Linear System

Our preferred Linear Systems in the Value Segment are the ideal combination of gearbox, pinion, rack, and lubrica- tion system. The systems have been optimized to achieve the required feed force, feed speed, stiffness, and deg- ree of utilization of the individual components. They cover a feed force range of up to 8,000 N. Feed speeds of up to 400 m/min are possible.



**Refer to our alpha Linear Systems catalog and the website for more information on the Value, Advanced, and Premium Linear System.**

[www.wittenstein-alpha.com/linear-systems](http://www.wittenstein-alpha.com/linear-systems)

## For a wide range of applications

alpha Linear Systems are suitable for a wide range of applica- tions and industries. New standards are being set in the fol- lowing areas:

- Smooth running
- Positioning accuracy
- Feed force
- Power density
- Rigidity
- Ease of installation
- Structural design
- Scalability

Paired with a comprehensive range of services, we support you from the constructional draft to sizing, assembly, and commis- sioning. We will also ensure a consistent supply of spare parts.

## The benefits of the alpha Linear Systems for you

- Perfectly matched components
- Maximum efficiency and power density
- Exceptional Linear System rigidity for even greater dynamics and precision
- Simple mounting and perfect integration in the drive train
- Available in different sizes, power categories, and segments

**Consultation and quality – everything from a single source!**



# premo – servo actuators by WITTENSTEIN alpha

premo is the new, powerful servo actuator platform that combines absolute precision with perfect movement. The central idea behind this first fully scalable servo actuator platform is uncompromising flexibility from the viewpoint of the user: motors and gearboxes with application-related graduated performance characteristics can be configured modularly into individual servo actuators. The result is a highly versatile modular system with customizable power, designed for a wide range of applications. The core of the servo actuator is a torsionally rigid precision gearbox with low backlash and excellent torque density combined with the equally powerful, permanent magnet servo motor with an evenly distributed winding that guarantees low cogging and high speed constancy.

## Typical areas of application and industry solutions

- Delta robot (axes 1–3, swivel axis)
- Handling gantry (Z-axis, swivel/rotating axis)
- Machine tool milling (rotating axes A–C, tool changer)
- Fill and seal machine (incl. jaw stroke, sealing jaw, blade)
- Folding carton packaging (incl. assembly/folding, filling valve)
- Plastic thermoform (tool axis)

## premo application examples

premo PRODUCT HIGHLIGHTS

- Optimized power density for greater energy efficiency and productivity
- Flexible mechanical and electrical interfaces for high scalability
- Individual upgrading of the basic configuration through a variety of options



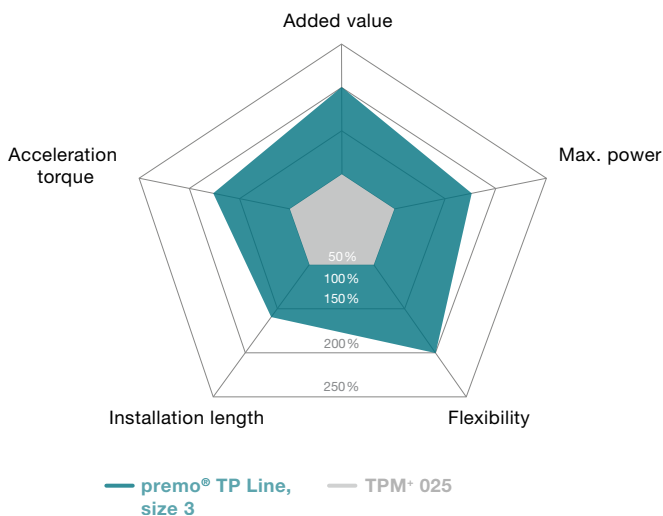
Handling gantry  
premo SP Line



Fill and seal machine  
premo TP Line



Milling head of a  
machining center  
premo XP Line



# cynapse® – It's new. It's connective. The smart gearbox.

Mechatronic drive systems that can independently acquire and communicate information are an essential precondition for IIoT. WITTENSTEIN alpha is the first component manufacturer to offer smart gearboxes as standard – gearboxes with cynapse®. They have an integrated sensor module which enables industry 4.0 connectivity.



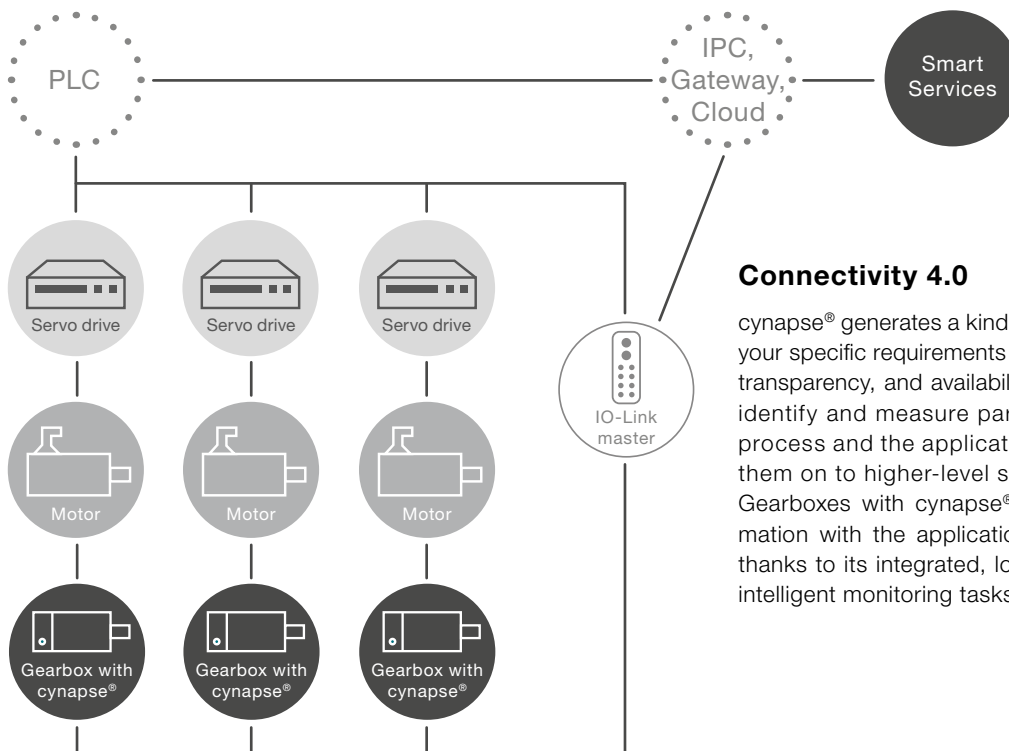
cynapse®  
play IIoT

## cynapse® – how it works

cynapse® ensures the gearbox can be easily integrated into the digital world in future. The cynapse® feature is integrated in the existing installation space for this, and is connected via an IO-Link interface. As a result, measured data such as temperature, vibration, operating time, acceleration and product-specific information can be accessed.

### cynapse® wins customers over with:

- Sensor module integrated into the installation space
- Simple connection by IO-Link interface
- Gearbox threshold monitoring
- Quick product identification thanks to digital name plate



## Connectivity 4.0

cynapse® generates a kind of electronic “fingerprint” of your specific requirements for performance, efficiency, transparency, and availability. The smart gearbox can identify and measure parameters directly from the process and the application environment and pass them on to higher-level systems.

Gearboxes with cynapse® can also exchange information with the applications on IIoT platforms and, thanks to its integrated, logic functions, can perform intelligent monitoring tasks independently.



# Smart Services – the perfect complement

## Your benefits at a glance

- Determination and monitoring of critical threshold values
- Early identification of problematic statuses
- Easy & simple integration
- Avoidance of machine downtimes
- Transparency for drive axes
- Customized services



### **cynapse® Monitor as control terminal**

The cynapse® Monitor service visualizes the data collected with cynapse® in the form of a control terminal. In addition to the live sensor data, histograms and histories saved on the sensor, and events are also displayed. The cynapse® monitor therefore provides an overview about the operating behavior of the drive axes and saves you the development of stand-alone visualization solutions.



### **Data Gateway as data interface**

The Data Gateway service is the core service for integrating and processing cynapse® data (process values, parameter and data logger information) for use in condition monitoring. The collected sensor data is made available by the data gateway in a structured data format, which can be continuously integrated into several target systems (databases, cloud systems, etc.) simultaneously and in parallel. This significantly reduces the amount of integration work for your machine infrastructure.



### **cynapse® Teach-In to determine threshold values**

The cynapse® Teach-In service helps you parameterize cynapse® for your individual machine process by automatically determining threshold values. Process-specific threshold values allow unusual events to be detected and made visible.



### **Anomaly-Check**

With the Anomaly-Check service, nonconformity in the process or the component behavior can be detected at an early stage in order to prevent cost-intensive machine downtimes. By monitoring multiple sensors simultaneously and using machine learning methods, a wide variety of applications can be learned and monitored for anomalies.

# Accessories – smart addition of intelligent performance

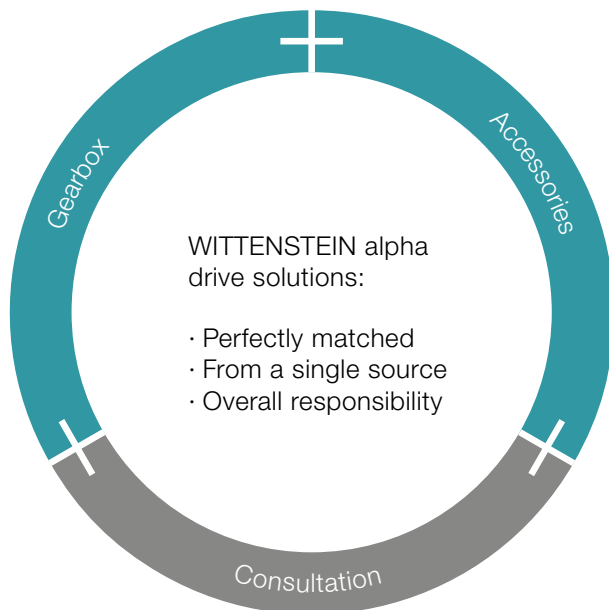
In addition to gearboxes, servo actuators, and linear systems, we offer our customers an extensive portfolio of matching accessories.

Shrink discs and couplings are primarily used in the Basic and Value Line. Shrink discs are mainly

used in applications with hollow shafts and couplings in shaft connections.

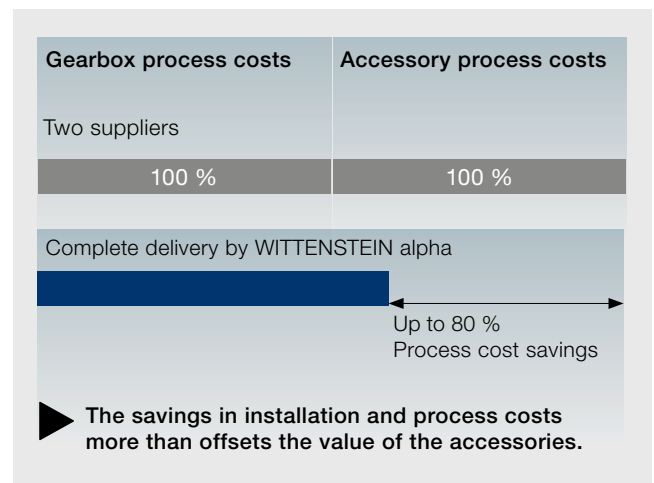
Perfectly match with the gearbox, they meet the expectations of customers.

Gearboxes, accessories, and consultation from a single source



Optimization of your value creation chain

Use the combination of gearboxes and accessories in a complete package to streamline your internal processes.



## Shrink discs

Shrink discs are frictional hub-shaft connections. Together with our hollow shaft or blind hollow shaft gearboxes for direct mounting to load shafts, machine designs with a minimal installation space can be realized.

The benefits:

- Simple assembly and disassembly
- Corrosion-resistant stainless steel version
- Maximum safety during the transmission of the emergency stop torques

Preferred shrink disc series

Provided it is possible to mount a shrink disc, you will find the matching shrink discs on the product page for your selected gearbox. To view more nickel-plated, stainless steel, and other shrink discs as well as all the relevant technical data and dimensions, visit our homepage

[www.wittenstein-alpha.com](http://www.wittenstein-alpha.com)

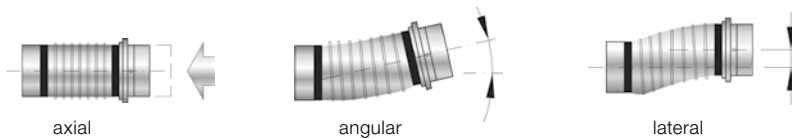


# Couplings

Our innovative couplings, which are used in various drive technology sectors, ensure efficiency and process reliability in the applications.

**Our couplings have the following properties:**

- Completely backlash-free torque transmission
- Maintenance free
- Durable
- Compensation of shaft misalignments (axial, angular, lateral)




**Metal bellows coupling**

- High torsional rigidity
- Minimal reset forces
- High true-running accuracy
- Corrosion resistant version available as an option (BC2, BC3, BCT)
- Large temperature range  
-30 °C to +300 °C
- Preferred coupling for alpha Advanced Line and alpha Premium Line

alpha Premium

alpha Advanced




**Elastomer coupling**

- Choice of torsional rigid/damping
- Compact, plug-in design
- Extremely easy assembly
- Temperature range -30 °C to +120 °C
- Preferred coupling for alpha Basic Line and alpha Value Line

alpha Value

alpha Basic



**Torque limiter**

- Torque infinitely adjustable
- Easy to assemble
- Precise repeatability
- Precise, preset overload protection (switch-off in 1–3 ms)

Suitable for all alpha gearbox series

## Preferred coupling series

The technical dimensional sheets for the gearboxes include a preselection of couplings. These are based on the maximum transmittable torque of the gearbox. Standard industrial conditions for the number of cycles (1,000/h) and ambient temperature were adopted.

Please note that the coupling load is based on the torque the gearbox can transmit and not the torque in your application. For a detailed sizing we recommend using our cymex®5 design software.

You can find detailed information about our couplings at [www.wittenstein-alpha.com](http://www.wittenstein-alpha.com)

# Support at each interaction stage

With the WITTENSTEIN alpha service concept, we are also setting new standards in the field of customer support.

## DESIGN



We offer the right sizing methodology for every requirement. Whether easy downloading of CAD data, quick and easy calculation, or precise sizing of the drive train.

## STARTUP



Our service experts are happy to support you in the installation and startup of complex mechatronic systems, guaranteeing maximum availability of your plant.

## SERVICING



WITTENSTEIN alpha guarantees fast repairs of the highest quality and precision. In addition, we will provide you with information about various measurements, material analyses, and condition monitoring inspections.

### Consultation

- Personal contact on site
- Competent application calculations and drive sizing

### Engineering

#### Catalog gearboxes:

- Advanced software tools for accurate calculation, simulation, and analysis of the drive train
- Optimization of your productivity

#### Special gearboxes:

- Development and production of customized gearboxes
- Gearing design and development
- Inquiries: [sondergetriebe@wittenstein.de](mailto:sondergetriebe@wittenstein.de)



**CAD POINT**  
YOUR SMART CATALOG



**cymex<sup>®</sup> select**  
BEST SOLUTION WITHIN SECONDS



**cymex<sup>®</sup> 5**  
CALCULATE ON THE BEST

See pages 12–15 for more information about the software tools

### speedline<sup>®</sup> delivery

Tel. +49 7931 493-10444

- Delivery of standard product range in 24 or 48 hours ex works\*
- Fast deliveries at short notice

### Installation on site

- Professional installation
- Optimal application integration
- Introduction to the operation of the drive

### Operating and installation instructions

- Detail description of how to use the product
- Installation and motor mounting videos

\* Non-binding delivery time depending on part availability



**WITTENSTEIN Service Portal**  
One gate. All support.

### WITTENSTEIN Service Portal

- Instant Access to Product Information
- Quick Installation and Commissioning for example Tutorial-Videos

### Pick-up & return service

- Minimization of downtimes
- Professional logistics organization
- Reduction of transport risks

### 24 h service hotline

Tel. +49 7931 493-12900

### Maintenance and inspection

- Documentation regarding condition and expected service life
- Customer-specific maintenance schedules

### Repairs

- Repair to nominal condition
- Immediate response in time-critical situations

### cymex<sup>®</sup> statistics

- Systematic field data acquisition
- Reliability calculations (MTBF)



**WITTENSTEIN Service Portal**  
One gate. All support.

### WITTENSTEIN Service Portal

- Fast Processing of Replacement Products
- The Right Contact for Queries
- Tailor-Made Maintenance Services

### Modernization

- Professional retrofitting
- Reliable compatibility testing of existing solutions



# Individual training without limits

**All delivered products are perfectly matched to your application environment and immediately 100 % operational.**

**Our service experts support you in the commissioning of complex mechatronic systems, guaranteeing maximum availability of your plant.**

## **Product training**

Greater knowledge enables greater achievement. We will be pleased to share our expert knowledge with you: Profit from our many years of experience and learn more about the product portfolio of WITTENSTEIN alpha.

## **Installation training**

We offer you individual training courses on-site for your system application of selected linear axes as well as professional installation.

## **Sizing training**

Become a design expert! We will provide you with training courses on our design software, adapted to your requirements. Whether for beginners or experts, for occasional or regular users – we adapt our training course to your wishes and requirements.

## **Service training**

Participation in a service training course is a prerequisite for sourcing spare parts at the parts list level. We offer you training courses at our premises or on-site at your plant. Moreover, we regularly host maintenance workshops at which the participants are instructed in safe handling during mounting of the motor to the gearbox as well as the independent replacement of wearing parts and gearbox assemblies.

Global presence. Personal consultation.

No matter where you need us:

A comprehensive sales and service network provides quick availability and competent support worldwide.

**24 h service hotline: +49 7931 493-12900**

# The WITTENSTEIN group – The company and its fields of business



**WITTENSTEIN**

With approximately 2,800 employees worldwide, the WITTENSTEIN group stands for innovation, precision and excellence in the world of mechatronic drive technology, both nationally and internationally. The group is active in seven innovative fields of business. Furthermore, WITTENSTEIN group is represented by some 60 subsidiaries in around 40 countries in all important technology and sales markets worldwide.



## Our fields of expertise

### We provide know-how for a host of different sectors:

- Machine and plant construction
- Software development
- Aerospace
- Automotive & E-mobility
- Energy
- Oil & Gas Exploration and Production
- Medical technology
- Measurement and testing technology
- Nanotechnology
- Simulation



# The WITTENSTEIN Group



WITTENSTEIN alpha GmbH  
High-precision servo drives and linear systems



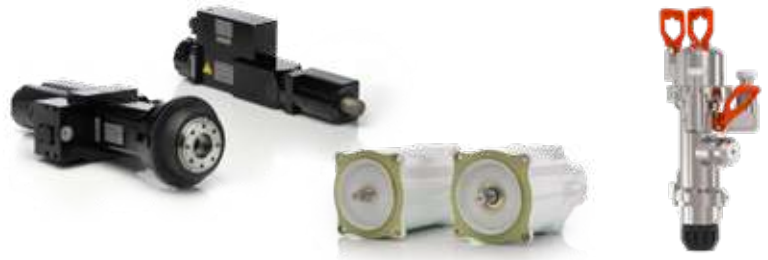
WITTENSTEIN cyber motor GmbH  
Highly dynamic servo motors and drive electronics



WITTENSTEIN galaxie GmbH  
Superior gearboxes and drive systems



WITTENSTEIN motion control GmbH  
Drive systems for the most extreme environmental requirements



attocube systems AG  
Nanoprecision drive and measurement technology solutions



baramundi software GmbH  
Secure management of IT infrastructure in offices and production areas



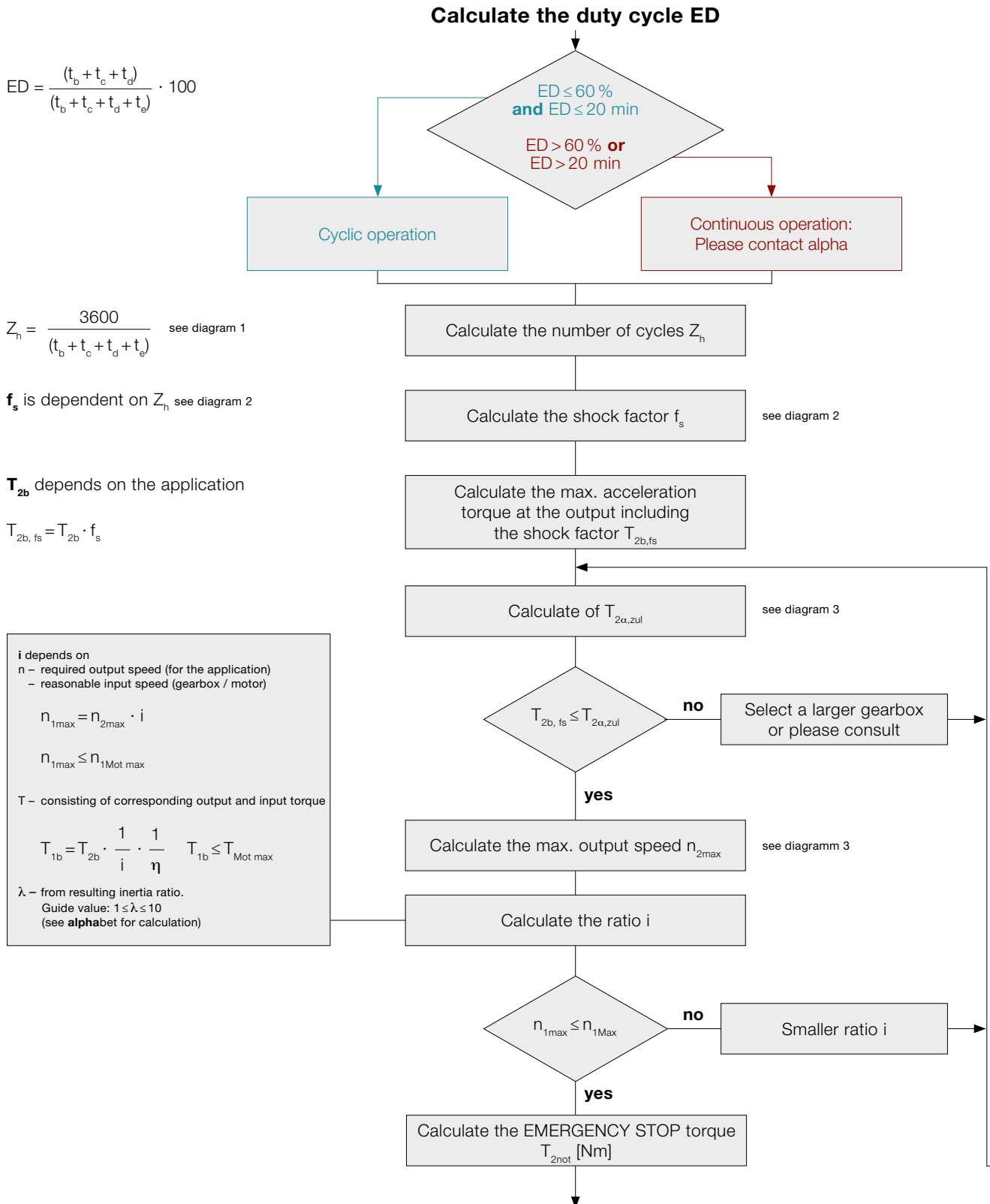
Product portfolio &  
company

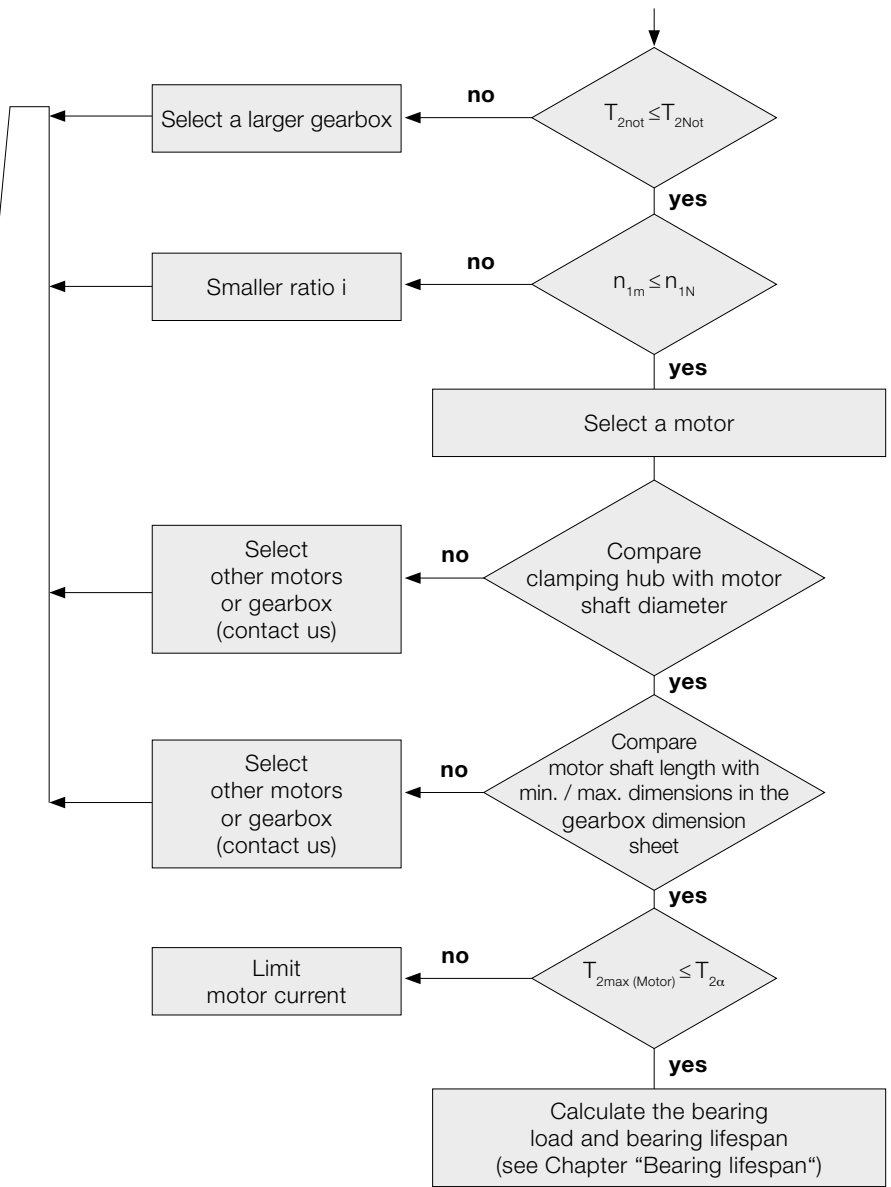
WITTENSTEIN – one with the future

# Sizing – Planetary / Bevel gearboxes

The following schematic shows the steps of the sizing of planetary and bevel gearboxes.  
Please use cymex® - [www.wittenstein-cymex.com](http://www.wittenstein-cymex.com) for a detailed sizing.

Schematic cyclic operation **S5** and continuous operation **S1**





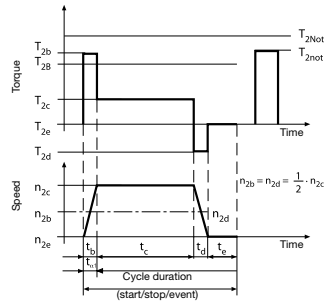
$$D_{W, Mot} \leq D_{clamping\ hub}$$

The motor shaft must be inserted far enough into the clamping hub.

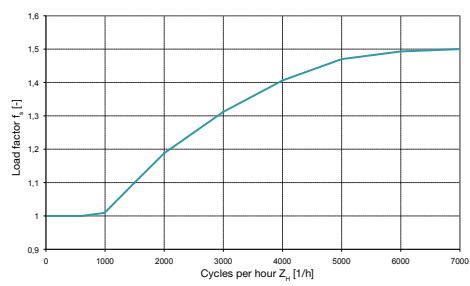
The motor shaft must protrude far enough into the clamping hub without making contact.

The gearbox should not be damaged when the motor operates at full load, limit the motor current if necessary.

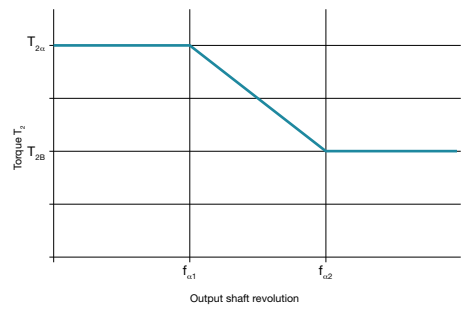
**Diagram 1**  
Standard collective load at output. At input speeds up to rated speed  $n_{1N}$  or thermal speed limit  $n_{1T}$ , the temperature of the gearbox will not exceed 90 °C under average ambient conditions.



**Diagram 2**  
Large number of cycles combined with short acceleration times may cause the drive train to vibrate. Use the shock factor  $f_s$  to include the resulting excess torque values in calculations.



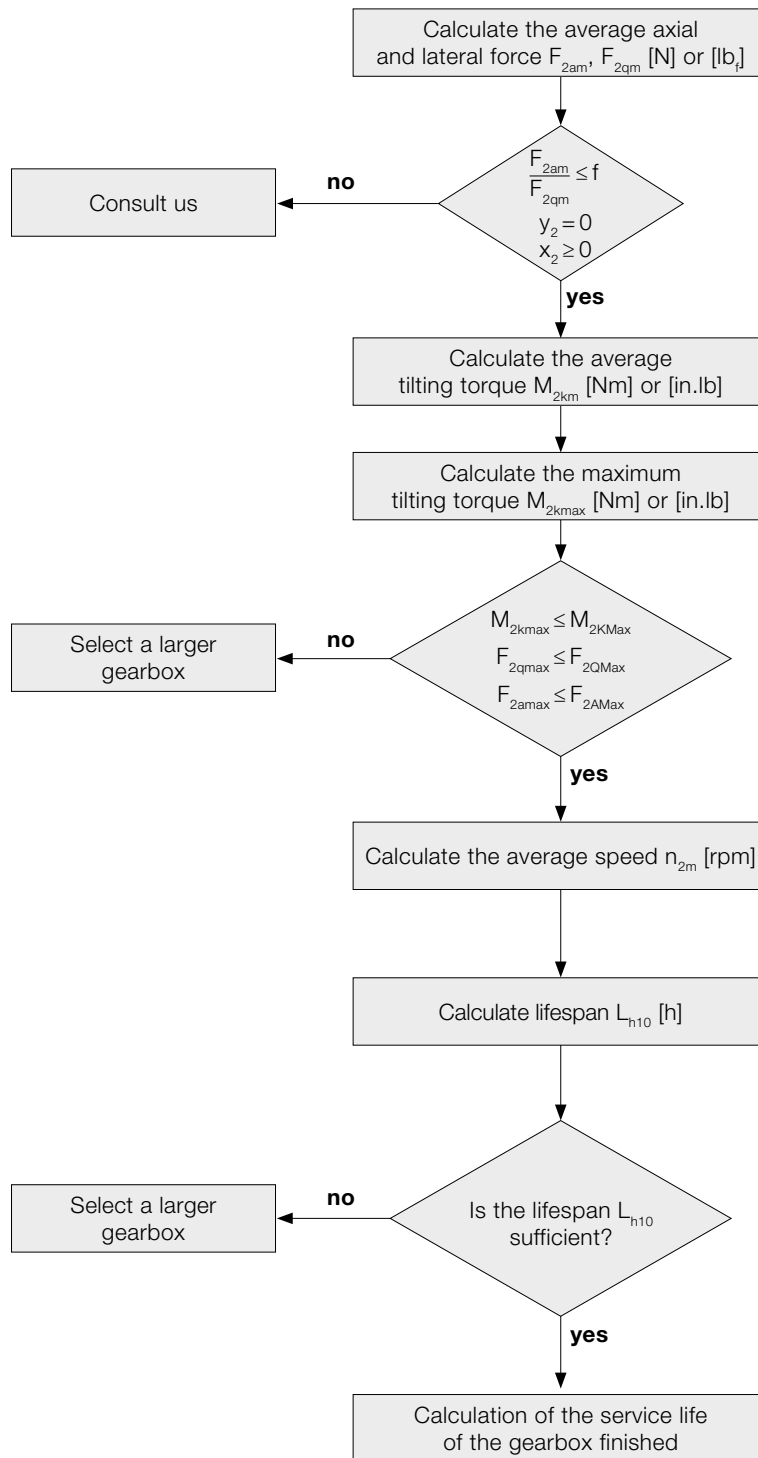
**Diagram 3**  
The transmittable torque  $T_{2u,per}$  of the gearbox is dependent on the number of output shaft revolutions. In the lower output shaft revolution range, the fatigue strength range of the toothing can be fully utilized up to the maximum value  $T_{2u}$ .



# Sizing – Planetary / Bevel gearboxes

Please use cymex® - [www.wittenstein-cymex.com](http://www.wittenstein-cymex.com) for a detailed sizing.

Service life of the gearbox  $L_{h10}$



$$F_{2am} = \sqrt[3]{\frac{|n_{2b}| \cdot t_b \cdot |F_{2ab}|^3 + \dots + |n_{2n}| \cdot t_n \cdot |F_{2an}|^3}{|n_{2b}| \cdot t_b + \dots + |n_{2n}| \cdot t_n}}$$

$$F_{2qm} = \sqrt[3]{\frac{|n_{2b}| \cdot t_b \cdot |F_{2qb}|^3 + \dots + |n_{2n}| \cdot t_n \cdot |F_{2qn}|^3}{|n_{2b}| \cdot t_b + \dots + |n_{2n}| \cdot t_n}}$$

$$M_{2km} = \frac{F_{2am} \cdot y_2 + F_{2qm} \cdot (x_2 + z_2)^{a)}}{W}$$

$$M_{2kmax} = \frac{F_{2amax} \cdot y_2 + F_{2qmax} \cdot (x_2 + z_2)^{a)}}{W}$$

a) x, y, z in mm

$$n_{2m} = \frac{n_{2b} \cdot t_b + \dots + n_{2n} \cdot t_n}{t_b + \dots + t_n}$$

$$L_{h10} = \frac{16666}{n_{2m}} \cdot \left[ \frac{K1_2}{M_{2km}} \right]^{p_2}$$

	<b>metric</b>
W	1000

	<b>CP / CPS / NP / NPT / HDV CPK / CPSK / NPK / NPTK</b>	<b>NPL / NPS / NPR / NTP NPLK / NPSK / NPRK</b>
f	0.24	0.4

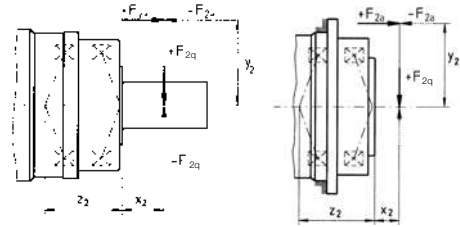
<b>CP / CPS CPK / CPSK</b>			<b>005</b>	<b>015</b>	<b>025</b>	<b>035</b>	<b>045</b>
MF	Z <sub>2</sub>	[mm]	12.4	19.3	27.7	31.5	47
		[in]	0.49	0.76	1.1	1.2	1.9
	K <sub>1,2</sub>	[Nm]	20	69	238	501	1512
		[in.lb]	177	610	2106	4433	13381
	P <sub>2</sub>		3	3	3	3	3

<b>NP / NPK</b>			<b>005</b>	<b>015</b>	<b>025</b>	<b>035</b>	<b>045</b>
MF / MA	Z <sub>2</sub>	[mm]	20	28.5	31	40	47
		[in]	0.79	1.1	1.2	1.6	1.9
	K <sub>1,2</sub>	[Nm]	75	252	314	876	1728
		[in.lb]	663	2230	2778	7752	15292
	P <sub>2</sub>		3	3	3	3	3

<b>NPT / NPTK</b>			<b>005</b>	<b>015</b>	<b>025</b>	<b>035</b>	<b>045</b>
MF / MA	Z <sub>2</sub>	[mm]	27.7	34.6	39.3	44.5	58.2
		[in]	1.1	1.4	1.6	1.8	2.3
	K <sub>1,2</sub>	[Nm]	136	211	310	628	995
		[in.lb]	1203	1867	2743	5557	8805
	P <sub>2</sub>		3	3	3	3	3

<b>NPL / NPS / NPR NPLK / NPSK / NPRK</b>			<b>015</b>	<b>025</b>	<b>035</b>	<b>045</b>
MF / MA	Z <sub>2</sub>	[mm]	42.2	44.8	50.5	63
		[in]	1.7	1.8	2	2.5
	K <sub>1,2</sub>	[Nm]	795	1109	1894	3854
		[in.lb]	7035	9814	16761	34107
	P <sub>2</sub>		3.33	3.33	3.33	3.33

Example with output shaft and flange:



<b>NTP</b>			<b>015</b>	<b>025</b>	<b>035</b>	<b>045</b>
MQ	Z <sub>2</sub>	[mm]	51.6	73.7	85	69.7
		[in]	2.0	2.9	3.3	2.7
	K <sub>1,2</sub>	[Nm]	490	1237	1809	3046
		[in.lb]	4337	10947	16010	26957
	P <sub>2</sub>		3.33	3.33	3.33	3.33

<b>HDV</b>			<b>015</b>	<b>025</b>	<b>035</b>
MF	Z <sub>2</sub>	[mm]	41.7	45.65	57.25
		[in]	1.6	1.8	2.3
	K <sub>1,2</sub>	[Nm]	84	131	406
		[in.lb]	743	1159	3593
MT	Z <sub>2</sub>	[mm]	53	58.65	74.75
		[in]	2.1	2.3	2.9
	K <sub>1,2</sub>	[Nm]	217	452	1370
		[in.lb]	1920	4000	12125
	P <sub>2</sub>		3	3	3

## Calculation tilting moment caused by the motor $M_{1kMot}$

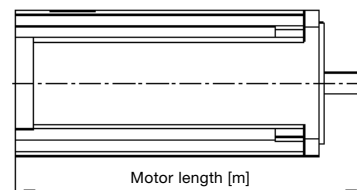
For NPK, NPSK, NPLK, NPRK, NPTK, CPK, and CPSK

Particularly when the motor is installed in a horizontal mounting position (xx/B5)

Clamping hub diameter	-	mm	11	14	19	28	38
Max. permissible static tilting moment caused by motor	$M_{1kMot}$	Nm	5.5	7	18	55	130

In horizontal mounting position B5 and symmetrical weight distribution of the motor:

$$M_{1kMot} = \text{motor weight [kg]} \cdot 4,9 \cdot \text{motor length [m]}$$



# Sizing – Worm gearboxes

The following schematic shows the steps of the sizing of worm gearboxes.  
Please use cymex® - [www.wittenstein-cymex.com](http://www.wittenstein-cymex.com) for a detailed sizing.

**A:** Simplified sizing for servo motors based on the maximum motor torque:  $M_{max} * i \leq T_{2\alpha}$

**B:** Sizing based on the application

## Step 1:

Determine the application data

$$T_{2b} = \text{_____ [Nm]} \quad n_{1n} = \text{_____ [rpm]}$$

## Step 2:

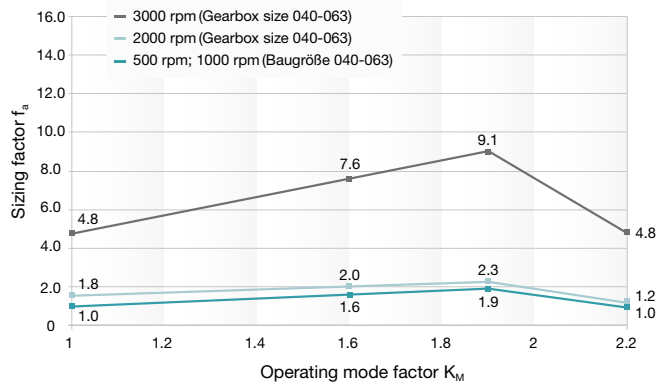
Determine the operating mode factor  $K_M = \text{_____}$

Typical applications	Cycle	Torque characteristic	Operating mode factor $K_M$
Format changing, e.g. in packaging machines, drives for processing equipment, actuators etc.	<b>S5 operation:</b> Low duty cycle Small number of cycles Low dynamics		1.0
Tool changers with low dynamics, pick & place gantry axes, tire building machines etc.	<b>S5 operation:</b> Medium duty cycle Small number of cycles Medium dynamics		1.6
Linear axes in plasma, laser or water jet cutters, portals, tool changers with high dynamics	<b>S5 operation:</b> Medium duty cycle Medium number of cycles High dynamics		1.9
Roller drives in printing presses, star drives in rackers etc.	<b>S1 operation:</b> High duty cycle		2.2

cymex® 5 also allows sizing calculations for other applications / cycles!

## Step 3:

Determine the sizing factor  $f_a$  with the operating mode factor  $K_M$   $f_a = \text{_____}$



## Step 4:

Compare the equivalent application torque with the maximum gearbox  $T_{2\alpha}$  (see table, Step 5)

$$T_{2,eq} = f_a * T_{2b} \leq T_{2\alpha}$$

$$T_{2,eq} = \text{_____} * \text{_____} \leq T_{2\alpha}$$

$$T_{2,eq} = \text{_____ [Nm]} \leq \text{_____ [Nm]}$$

We recommend using a vent screw for duty cycles  $\geq 60\%$ , longer than 20 min (S1 operation) and  $n1N \geq 3000$  rpm.

## Step 5: Quick selection of the technical data

			V-Drive Basic			V-Drive Value		
			040	050	063	040	050	063
Ratio	i		7-40			4-400		
Max. torque <sup>a)</sup> (at $n_1 = 500$ rpm)	$T_{2b}$	Nm	68-82	116-140	265-301	74-98	150-167	303-365
Max. input speed	$n_{1max}$	rpm	6000	6000	4500	6000	6000	4500
Max. lateral force	$F_{2QMmax}$	N	1000 / 2400 <sup>b)</sup>	1200 / 3800 <sup>b)</sup>	2000 / 6000 <sup>b)</sup>	2400	3800	6000
Operating noise	$L_{pA}$	dB(A)	$\leq 54$	$\leq 62$	$\leq 64$	$\leq 54$	$\leq 62$	$\leq 64$
Max. backlash	$j_1$	arcmin	$\leq 15$	$\leq 15$	$\leq 15$	$\leq 6$	$\leq 6$	$\leq 6$
Service life	$L_n$	h	$> 15000$	$> 15000$	$> 15000$	$> 20000$	$> 20000$	$> 20000$

<sup>a)</sup> The maximum torques depend on the ratio.

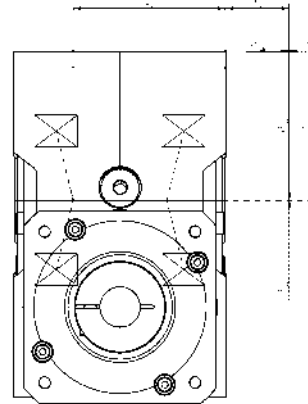
<sup>b)</sup> Refers to center of the output shaft or flange. First value for MF-version (Standard), second value for MT-version (reinforced bearing).

**Account must be taken of the lateral and axial forces at the output:**

Please also carry out steps 6 and 7 if forces are present at the output (e.g. if timing belt pulleys, pinions or levers are mounted there).

**Step 6 (if external forces are present):**

Determine the forces acting on the output and check the boundary conditions



Lateral force  $F_{2q} = \text{_____ [N]}$   
 Lateral force distance  $x_2 = \text{_____ [mm]}$   
 Axial force  $F_{2a} = \text{_____ [N]}$   
 Axial force distance  $y_2 = \text{_____ [mm]}$   
 (required if  $F_{2a}$  is present)

**Conditions if axial force  $F_{2a}$  is present:**

- 1.  $F_{2a} \leq 0.25 * F_{2q} \Rightarrow (\text{_____} \leq 0.25 * \text{_____})$   Met  Not met: Sizing with cymex® 5
- 2.  $y_2 \leq x_2 \Rightarrow (\text{_____} \leq \text{_____})$   Met  Not met: Sizing with cymex® 5

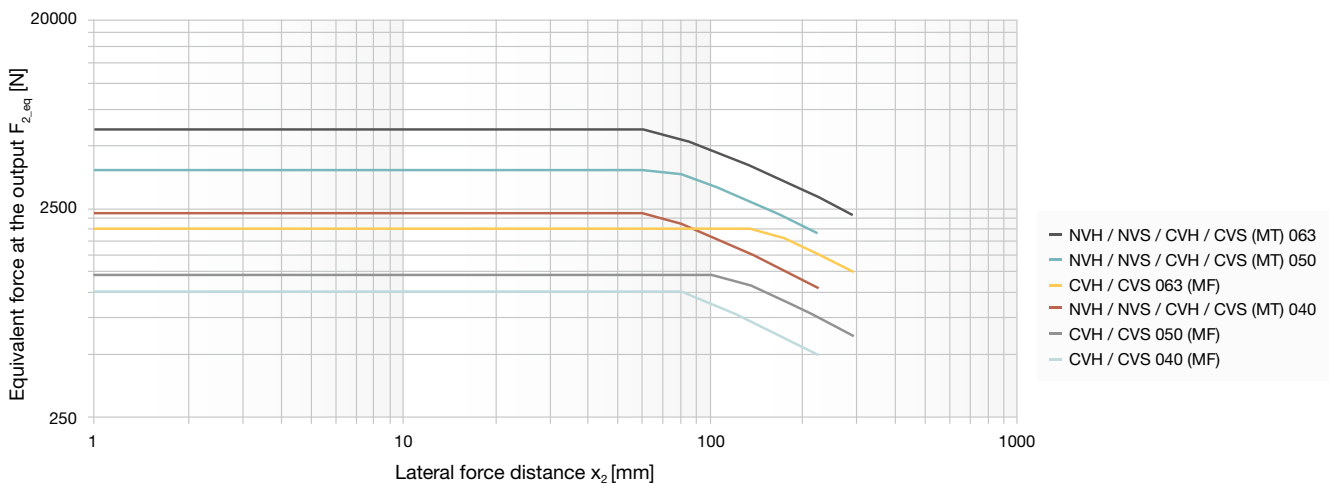
**Step 7:**

Determine the maximum equivalent force acting on the output  $F_{2,eq}$

$F_{2,eq} = F_{2q} + 0.25 * F_{2a} \leq F_{2QMax}$  ( $F_{2QMax}$  can be determined from the diagram below)

$F_{2,eq} = \text{_____} + 0.25 * \text{_____} \leq \text{_____}$

$F_{2,eq} = \text{_____ [N]} \leq \text{_____ [N]}$   Met  Not met: Sizing with cymex® 5



# Glossary – the alphabet

## Acceleration torque ( $T_{2B}$ )

The acceleration torque  $T_{2B}$  is the maximum permissible torque that can briefly be transmitted at the output by the gearhead after  $\leq 1000/h$  cycles. For  $> 1000/h$  cycles, the  $\rightarrow$  **Shock factor** must be taken into account.  $T_{2B}$  is the limiting parameter in cyclic operation.

## Adapter plate

WITTENSTEIN alpha uses a system of standardized adapter plates to connect the motor and the gearbox, making it possible to mount a WITTENSTEIN alpha gearbox to any desired motor without difficulty.

## Angular minute

A degree is subdivided into 60 angular minutes (= 60 arcmin = 60').

Example:

If the torsional backlash is  $j_t = 1$  arcmin, the output can be turned  $1/60^\circ$ . The repercussions for the application are determined by the arc length:  
 $b = 2 \cdot \pi \cdot r \cdot \alpha^\circ / 360^\circ$ .

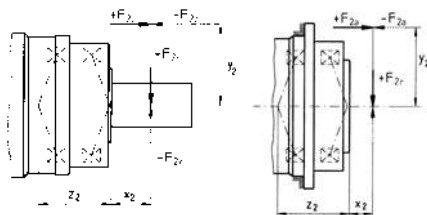
Example:

A pinion with a radius  $r = 50$  mm mounted on a gearbox with torsional backlash  $j_t = 3$  arcmin can be turned  $b = 0.04$  mm.

## Axial force ( $F_{2AMax}$ )

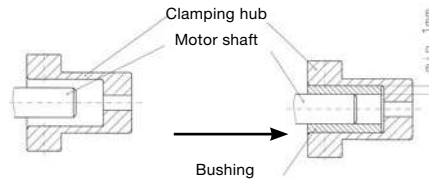
The axial force acting on a gearbox runs parallel to its output shaft or perpendicular to its output shaft. It may be applied with axial offset via a lever arm  $y_2$  under certain circumstances, in which case it also generates a bending moment. If the axial force exceeds the permissible catalog values (max. axial force  $F_{2AMax}$ ), additional design features (e.g. axial bearings) must be implemented to absorb these forces.

Example with output shaft and flange:



## Bushing

If the motor shaft diameter is smaller than the  $\rightarrow$  **clamping hub**, a bushing is used to compensate the difference in diameter. The bushing must have a minimum thickness of 1 mm and a motor shaft diameter of 2 mm.



## CAD POINT

Performance data, dimension sheets and CAD data for all types of gearbox can be found online in our CAD POINT together with comprehensive documentation of the selection.  
[www.wittenstein-cad-point.com](http://www.wittenstein-cad-point.com)

## Clamping hub

The clamping hub ensures a frictional connection between the motor shaft and gearbox. A  $\rightarrow$  **bushing** is used as the connecting element if the motor shaft diameter is smaller than that of the clamping hub. Optionally, a positive connection via a parallel key is also possible.

## Continuous operation (S1)

Continuous operation is defined by the  $\rightarrow$  **duty cycle**. If the duty cycle is greater than 60% and / or longer than 20 minutes, this qualifies as continuous operation.  $\rightarrow$  **Operating modes**

## Cyclic operation (S5)

Cyclic operation is defined via the  $\rightarrow$  **duty cycle**. If the duty cycle is less than 60% and shorter than 20 minutes, it qualifies as cyclic operation ( $\rightarrow$  **operating modes**).

## cymex®

cymex® is the calculation software developed by our company for dimensioning complete drive trains. The software enables the precise simulation of motion and load variables. The software is available for download from our website ([www.wittenstein-cymex.com](http://www.wittenstein-cymex.com)). We can also provide training to enable you to make full use of all the possibilities provided by the software.

## cymex® select

The cymex® select quick sizing tool from WITTENSTEIN alpha allows for efficient and innovative product selection in seconds and is available online. You get the right recommendations for your application and your motor in no time based on technical and economic suitability.  
[cymex-select.wittenstein-group.com](http://cymex-select.wittenstein-group.com)

## Degree of protection (IP)

The various degrees of protection are defined in DIN EN 60529 "Degrees of protection offered by enclosure (IP code)". The IP degree of protection (International Protection) is represented by two digits. The first digit indicates the protection against the ingress of impurities and the second the protection against the ingress of water.

Example:

**IP65**

Protection against the ingress of dust (dust-proof)

Protection against spray water

## Delivery of speedline®

If necessary, you can receive delivery of standard series in 24 or 48 hours ex works. Outstanding flexibility for fast deliveries at short notice.

## Duty cycle (DC)

The cycle determines the duty cycle DC. The times for acceleration ( $t_b$ ), constant travel if applicable ( $t_c$ ) and deceleration ( $t_d$ ) combined yield the duty cycle in minutes. The duty cycle is expressed as a percentage with inclusion of the pause time  $t_e$ .

$$DC [\%] = \left[ \frac{t_b + t_c + t_d}{t_b + t_c + t_d + t_e} \right] \cdot 100 \frac{\text{Motion duration}}{\text{Cycle duration}}$$

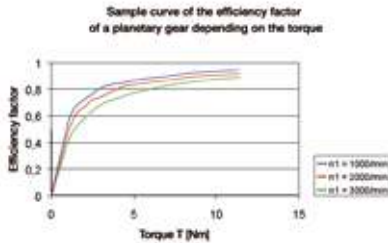
$$DC [\text{min}] = t_b + t_c + t_d$$



## Efficiency ( $\eta$ )

Efficiency [%]  $\eta$  is the ratio of output power to input power. Power lost through friction reduces efficiency to less than 1 or 100 %.

$$\eta = P_{\text{off}} / P_{\text{on}} = (P_{\text{on}} - P_{\text{loss}}) / P_{\text{on}}$$



WITTENSTEIN alpha always measures the efficiency of a gearbox during operation at full load. If the input power or torque are lower, the efficiency rating is also lower due to the constant no-load torque. Power losses do not increase as a result. A lower efficiency is also expected at high speeds (see illustration).

## Emergency stop torque ( $T_{2\text{Not}}$ )

The Emergency stop torque  $T_{2\text{Not}}$  is the maximum permissible torque at the gearbox output and must not be reached more than 1000 times during the life of the gearbox. It must never be exceeded!

## Food-grade lubrication (F)

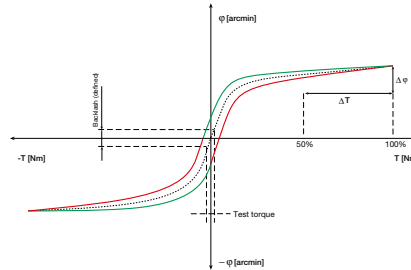
These products are designed with food-grade lubrication and can therefore be used in the food industry. Note the reduced torques compared to the standard products. (V-Drive excluded). The exact torques can be found in cymex® 5 or CAD POINT.

## HIGH TORQUE (MA)

WITTENSTEIN alpha gearboxes are also available in a HIGH TORQUE version. These gearboxes are particularly suited to applications requiring extremely high torques and maximum stiffness.

## Hysteresis curve

The hysteresis is measured to determine the torsional rigidity of a gearbox. The result of this measurement is known as the hysteresis curve.



If the input shaft is locked, the gearbox is continuously loaded and relieved at the output in both directions up to a defined torque. The torsional angle is plotted against the torque. This yields a closed curve from which the  $\rightarrow$  **torsional backlash** and  $\rightarrow$  **torsional rigidity** can be calculated.

## Jerk ( $j$ )

Jerk is derived from acceleration and is defined as the change in acceleration within a unit of time. The term impact is used if the acceleration curve changes abruptly and the jerk is infinitely large.

## Lateral force ( $F_{2\text{QMmax}}$ )

The max. lateral force  $F_{2\text{QMmax}}$  [Nm] is the force component acting at right angles to the output shaft or parallel to the output flange. It acts perpendicular to the  $\rightarrow$  **axial force** and can assume an axial distance of  $x_2$  in relation to the shaft nut or shaft flange, which acts as a lever arm. The lateral force produces a bending moment (see also  $\rightarrow$  **axial force**).

Gearboxes of the CP series with size 005 and 015 may be used with higher lateral forces if the  $T_{2B}$  is reduced according to the tables below.

CP 005	1-stage					2-stage					
Ratio	4	5	7	10	16	20	25	35	50	70	100
$T_{2B}$	10.5	11.5	11.5	10.5	10.5	10.5	11.5	11.5	11.5	11.5	10.5
$F_{2\text{QMmax}}$	200					200					

CP 015	1-stage					2-stage					
Ratio	4	5	7	10	16	20	25	35	50	70	100
$T_{2B}$	32	32	32	29	32	32	32	32	32	32	29
$F_{2\text{QMmax}}$	650					650					

## Mass inertia ratio ( $\lambda = \text{Lambda}$ )

The mass inertia ratio  $\lambda$  is the ratio of external inertia (application side) to internal inertia (motor and gearbox side). It is an important parameter determining the controllability of an application. Accurate control of dynamic processes becomes more difficult with differing mass moments of inertia and as  $\lambda$  becomes greater. WITTENSTEIN alpha recommends that a guideline value of  $\lambda < 5$  is maintained. A gearbox reduces the external mass moment of inertia by a factor of  $1/i^2$ .

$$\lambda = \frac{J'_{\text{extern}}}{J_{\text{intern}}}$$

$J$  reduced externally at input:

$$J'_{\text{external}} = J_{\text{external}} / i^2$$

Simple applications  $\leq 10$

Dynamic applications  $\leq 5$

Highly dynamic applications  $\leq 1$

## Mass moment of inertia ( $J$ )

The mass moment of inertia  $J$  [kg/cm<sup>2</sup>] is a measurement of the effort applied by an object to maintain its momentary condition (at rest or moving).

## Mesh frequency ( $f_2$ )

The mesh frequency may cause problems regarding vibrations in an application, especially if the excitation frequency corresponds to an intrinsic frequency of the application. The mesh frequency can be calculated for planetary gearboxes from WITTENSTEIN alpha (exception: gearboxes with ratio  $i = 8$ ) using the formula  $f_2 = 1.8 \cdot n_2$  [rpm].

$\rightarrow$  Refer to this term for further details.

# Glossary – the **alphabet**

## No-load running torque ( $T_{012}$ )

The no-load running torque  $T_{012}$  is the torque which must be applied to a gearbox in order to overcome the internal friction; it is therefore considered lost torque. The values specified in the catalog are calculated by WITTENSTEIN alpha at a speed of  $n_1=3000$  rpm and an ambient and gearbox temperature of 20 °C.

$T_{012}$ : 0                      1 → 2  
 without                      from input side towards  
 load                              output side

Idling torques decrease during operation.

## NSF

Lubricants certified as grade H1 by the NSF (National Sanitation Foundation) can be used in the food sector where occasional unavoidable contact with food cannot be excluded.

## Operating modes

(continuous operation **S1** and cyclic operation **S5**)

Gearboxes are selected depending on whether the motion profile is characterized by frequent acceleration and deceleration phases in → **cyclic operation** (S5) as well as pauses, or whether it is designed for → **continuous operation** (S1), i.e. with long phases of constant motion.

## Operating noise ( $L_{PA}$ )

The gear ratio and speed affect the noise level. As a general rule: A higher speed means a higher noise level, while a higher ratio means a lower noise level. The values specified in our catalog are based on a reference ratio and speed. The reference speed is either  $n_1=3000$  rpm or  $n_1=2000$  rpm depending on the size of the gearbox. You can find ratio-specific values in cymex® – [www.wittenstein-cymex.com](http://www.wittenstein-cymex.com).

## Output shaft revolution ( $f_\alpha$ )

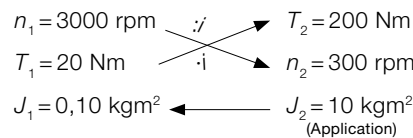
Factor  $f_\alpha$  determines the number of cycles for the required gearbox service life. It describes the number of revolutions at the output used to assess the torque permitted at the output.

## Positioning accuracy

The positioning accuracy is determined by the angular deviation from a setpoint and equals the sum of the torsional angles due to load → **(torsional rigidity)** and → **torsional backlash** and kinetics → **(synchronization error)** occurring simultaneously in practise.

## Ratio (i)

The gear ratio i indicates the factor by which the gearbox transforms the three relevant parameters of motion (speed, torque and mass moment of inertia). The factor is a result of the geometry of the gearing elements (Example:  $i = 10$ ).

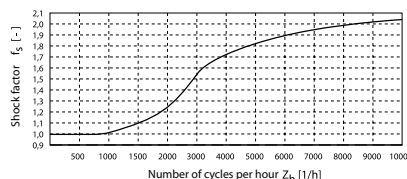


## Safety note

For applications with special safety requirements (e.g. vertical axes, clamped drives), we recommend exclusive use of our Premium and Advanced products (excluding V-Drive).

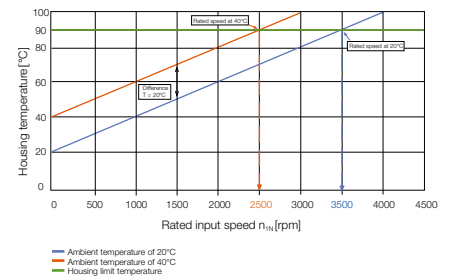
## Shock factor ( $f_s$ )

The maximum permissible acceleration torque during cyclic operation specified in the catalog applies for a cycle rate less than 1000/h. Higher cycle rates combined with short acceleration times can cause vibrations in the drive train. Use the shock factor  $f_s$  to include the resulting excess torque values in calculations. The shock factor  $f_s$  can be determined with reference to the curve. This calculated value is multiplied by the actual acceleration torque  $T_{2b}$  and then compared with the maximum permissible acceleration torque  $T_{2B}$ .  
 $(T_{2b} \cdot f_s = T_{2b} \cdot f_s < T_{2B})$



## Speed (n)

Two speeds are of relevance when dimensioning a gearbox: the maximum speed and the thermal speed limit at the input. The maximum permissible speed  $n_{1Max}$  must not be exceeded because it serves as the basis for dimensioning → **cyclic operation**. The nominal speed  $n_{1N}$  must not be exceeded in → **continuous operation**. The thermal speed limit  $n_{1T}$  at an ambient temperature of 20 °C, is determined by the maximum gearbox temperature of  $T = 90$  °C at no-load. As can be seen in the diagram below, the temperature limit is reached more quickly in the presence of an elevated outside temperature. In other words: the nominal input speed must be reduced if the ambient temperature is high. The values applicable to your gearbox are available from WITTENSTEIN alpha on request.



## Synchronization

Synchronization refers to the measurable transmission error between the input and output during one revolution of the output shaft.

## Technical data

You can download further technical data relating to the entire product portfolio from our website.

## Tilting rigidity

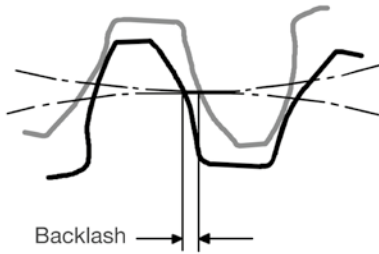
The tilting rigidity  $C_{2K}$  [Nm/arcmin] of the gearbox consists of the bending stiffness of the output or pinion shaft and the stiffness of the output bearing. It is defined as the quotient of tilting moment  $M_{2K}$  [Nm] and tilting angle  $\phi$  [arcmin]  
 $(C_{2K} = M_{2K} / \phi)$ .

## Tilting torque ( $M_{2K}$ )

The tilting torque  $M_{2K}$  is a result of the → **axial forces** and → **lateral forces** applied and their respective points of application in relation to the inner radial bearing on the output side.

## Torsional backlash ( $j_t$ )

Torsional backlash  $j_t$  [arcmin] is defined as the max. torsional angle of the output shaft at a defined test torque and a blocked input.



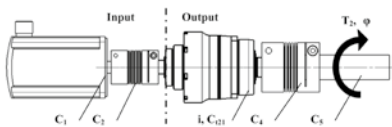
Torsional backlash is measured with the input shaft locked.

The output is then loaded with a defined test torque in order to overcome the internal gearbox friction. The main factor affecting torsional backlash is the face clearance between the gear teeth. The low torsional backlash of WITTENSTEIN alpha gearboxes is due to their high manufacturing accuracy and the specific combination of gear wheels.

## Torsional rigidity ( $C_{t21}$ )

Torsional rigidity [Nm/arcmin]  $C_{t21}$  is defined as the quotient of applied torque and resulting torsion angle ( $C_{t21} = \Delta T / \Delta \Phi$ ). It shows the torque required to turn the output shaft by one angular minute. The torsional rigidity can be determined from the **→ hysteresis curve**.

Torsional rigidity  $C$ , angle of torsion  $\Phi$



Reduce all torsional rigidity values at the output:

$$C_{(n),out} = C_{(n),in} * i^2$$

with  $i$  = Gearbox ratio [ - ]

$C_{(n)}$  = Individual rigidity values [Nm/arcmin]

Series connection of torsional rigidity values

$$1/C_{tot} = 1/C_{1,out} + 1/C_{2,out} + \dots + 1/C_{(n)}$$

Angle of torsion  $\Phi$  [arcmin]

$$\Phi = T_2 * 1/C_{tot}$$

with  $T_2$  = output torque [Nm]

## Torque ( $M$ )

The torque is the actual driving force of a rotary motion. The force and lever arm combine to produce the torque that acts around the axis of rotation.  $M = F \cdot l$

## Torque ( $T_{2\alpha}$ )

$T_{2\alpha}$  represents the maximum torque transmitted by the gearbox. This value may decrease depending on the application-specific conditions and the precise evaluation of the movement profile.

# Glossary – Formulae

## Formulae

<b>Torque [Nm]</b>	$T = J \cdot \alpha$	$J$ = Mass moment of inertia [kgm <sup>2</sup> ] $\alpha$ = Angular acceleration [1/s <sup>2</sup> ]
<b>Torque [Nm]</b>	$T = F \cdot l$	$F$ = Force [N] $l$ = Lever, length [m]
<b>Acceleration force [N]</b>	$F_b = m \cdot a$	$m$ = Mass [kg] $a$ = Linear acceleration [m/s <sup>2</sup> ]
<b>Frictional force [N]</b>	$F_{\text{Reib}} = m \cdot g \cdot \mu$	$g$ = Acceleration due to gravity 9.81 m/s <sup>2</sup> $\mu$ = Coefficient of friction
<b>Angular speed [1/s]</b>	$\omega = 2 \cdot \pi \cdot n / 60$	$n$ = Speed [U/min] $\pi$ = PI = 3.14...
<b>Linear speed [m/s]</b>	$v = \omega \cdot r$	$r$ = Radius [m]
<b>Linear speed [m/s] (spindle)</b>	$v_{\text{sp}} = \omega \cdot h / (2 \cdot \pi)$	$h$ = Screw pitch [m]
<b>Linear acceleration [m/s<sup>2</sup>]</b>	$a = v / t_b$	$t_b$ = Acceleration time [s]
<b>Angular acceleration [1/s<sup>2</sup>]</b>	$\alpha = \omega / t_b$	
<b>Pinion path [mm]</b>	$s = m_n \cdot z \cdot \pi / \cos \beta$	$m_n$ = Normal module [mm] $z$ = Number of teeth [-] $\beta$ = Helix angle [°]

## Conversion table

<b>1 mm</b>	= 0.039 in
<b>1 Nm</b>	= 8.85 in.lb
<b>1 kgcm<sup>2</sup></b>	= 8.85 x 10 <sup>-4</sup> in.lb.s <sup>2</sup>
<b>1 N</b>	= 0.225 lb <sub>f</sub>
<b>1 kg</b>	= 2.21 lb <sub>m</sub>

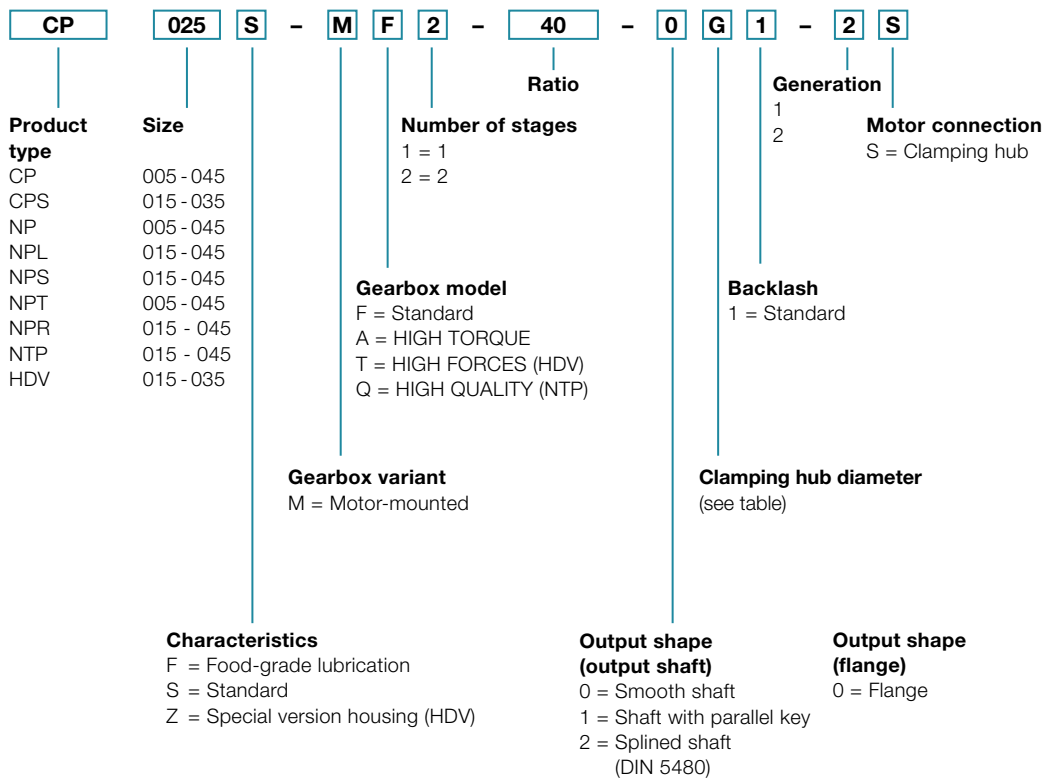
## Symbol

Symbol	Unit	Designation
$C$	Nm/arcmin	Stiffness
$ED$	%, min	Duty cycle
$F$	N	Force
$f_s$	–	Load factor
$f_e$	–	Factor for duty cycle
$i$	–	Ratio
$j$	arcmin	Backlash
$J$	kgm <sup>2</sup>	Mass moment of inertia
$K1$	Nm	Factor for bearing calculation
$L$	h	Service life
$L_{PA}$	dB(A)	Operating noise
$m$	kg	Mass
$M$	Nm	Torque
$n$	rpm	Speed
$p$	–	Exponent for bearing calculation
$\eta$	%	Efficiency
$t$	s	Time
$T$	Nm	Torque
$v$	m/min	Linear speed
$z$	1/h	Number of cycles

## Index

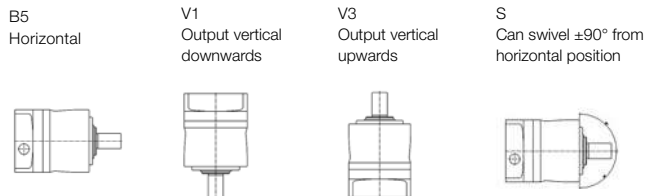
Index	Designation
Capital letter	Permissible values
Small letter	Actual values
1	Input
2	Output
A/a	Axial
B/b	Acceleration
c	Constant
d	Deceleration
e	Pause
h	Hours
K/k	Tilting
m	Mean
Max/max	Maximum
Mot	Motor
N	Nominal
Not/not	Emergency stop
0	No load
Q/q	Lateral
t	Torsional
T	Tangential

# Ordering code – planetary gearboxes



## Mounting positions and clamping hub diameters

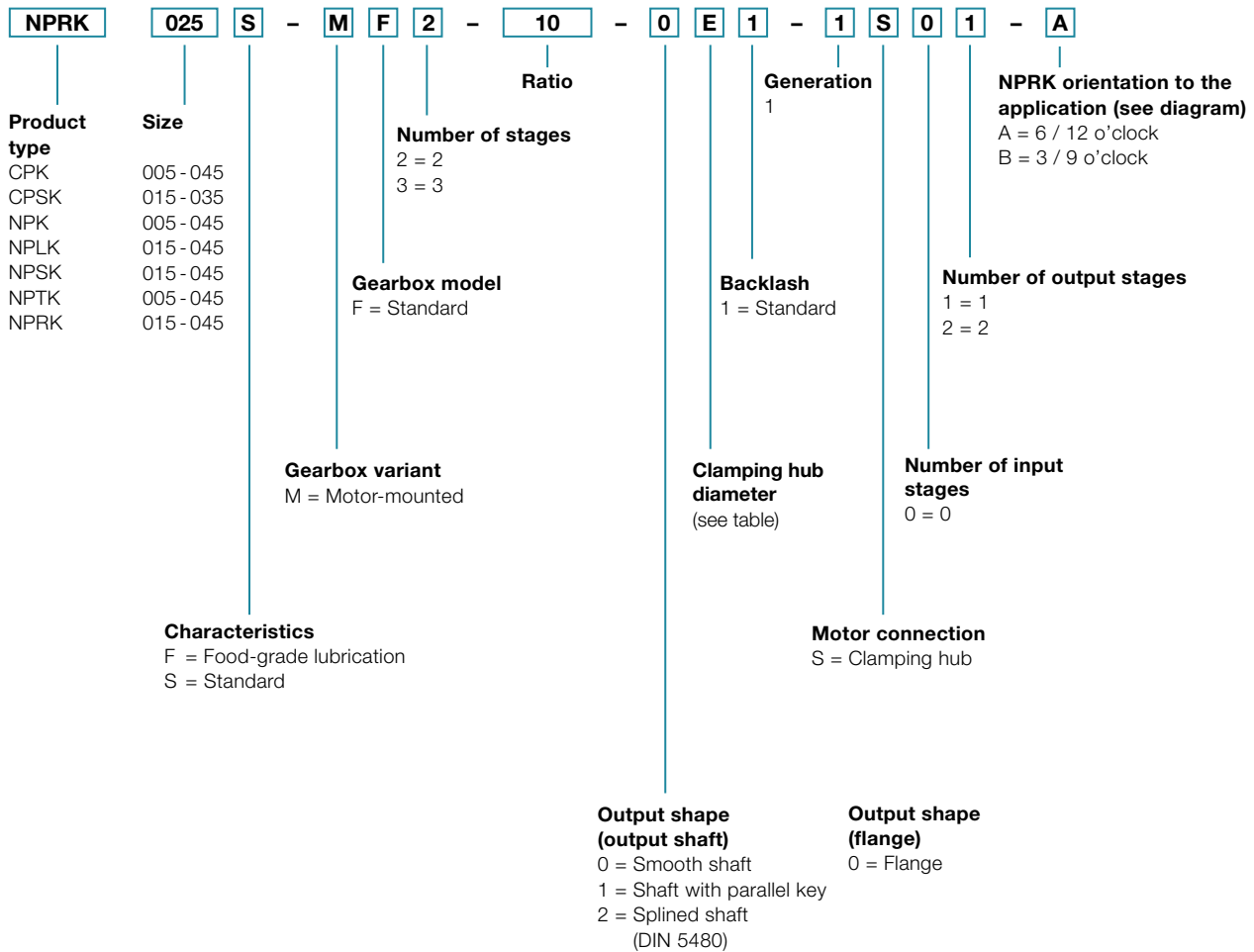
Clamping hub diameter  
 (see technical data sheet for possible diameters)



Code letter	mm	Code letter	mm
Z	8	E	19
A	9	G	24
B	11	H	28
C	14	I	32
D	16	K	38

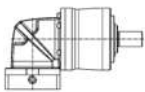
For information purposes only – not required when placing orders!  
 Please contact WITTENSTEIN alpha for deviating mounting positions.

# Ordering code – bevel gearboxes

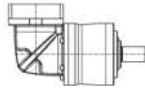


## Mounting positions and clamping hub diameters

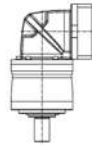
B5 / V3  
 Output horizontal /  
 motor shaft vertical upwards



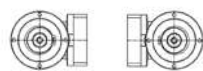
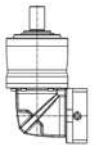
B5 / V1  
 Output horizontal /  
 motor shaft vertical downwards



V1 / B5  
 Output vertical downwards /  
 motor shaft horizontal



V3 / B5  
 Output vertical upwards /  
 motor shaft horizontal

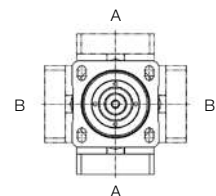


B5 / B5  
 Output horizontal /  
 motor shaft horizontal

Clamping hub diameter  
 (see technical data sheet for possible diameters)

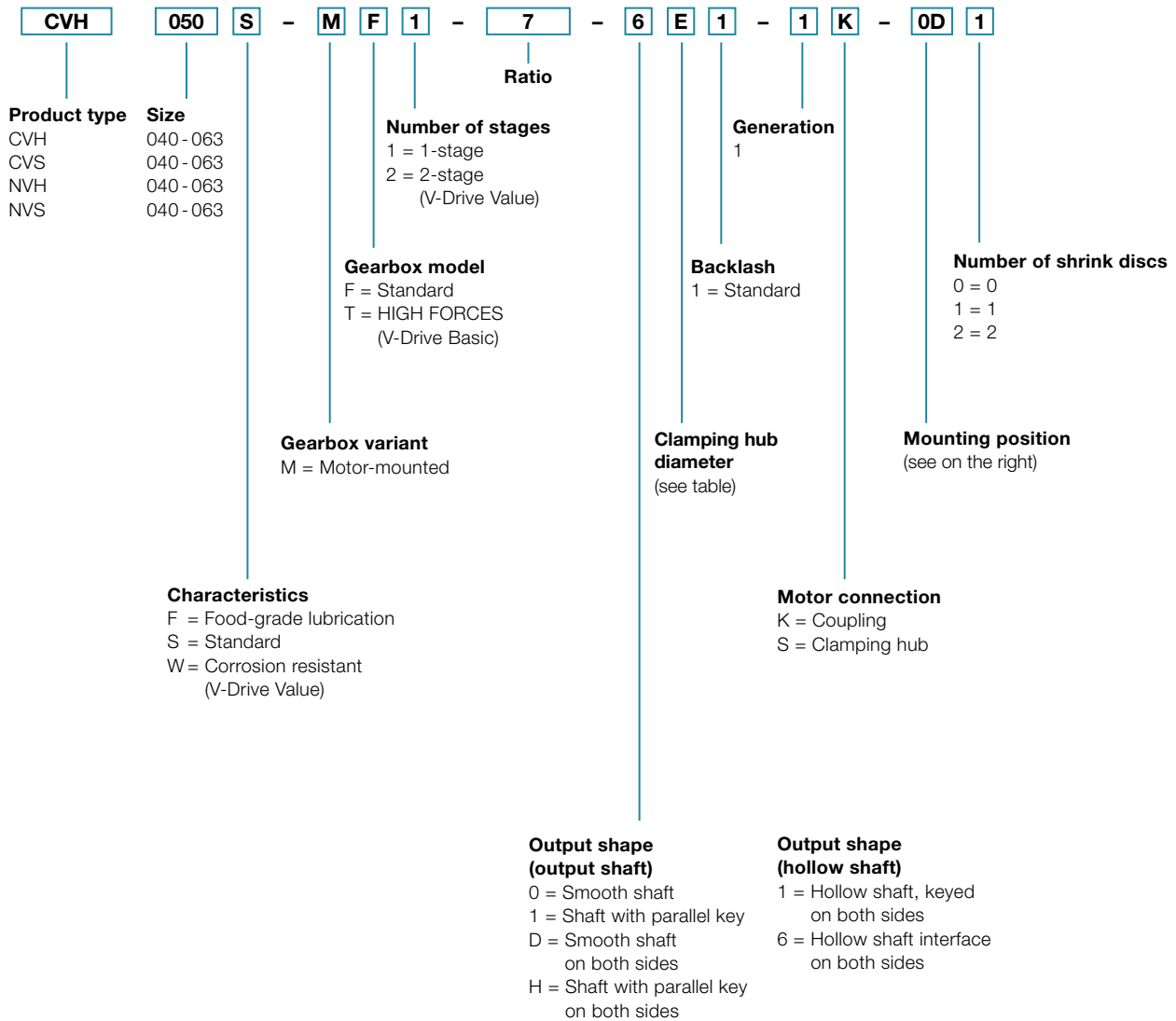
Code letter	mm
B	11
C	14
E	19
H	28
K	38

Orientation to the application



For information purposes only – not required when placing orders!  
 Please contact WITTENSTEIN alpha for deviating mounting positions.

# Ordering code – worm gearboxes

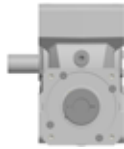




# Mounting positions and clamping hub diameters

Mounting position (only relevant for oil volume)

Output side A:  
View of the motor connection,  
output left  
Only valid for CVS, NVS.



AC



AF



AD



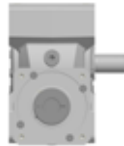
AG



AE



Output side B:  
View of the motor connection,  
output right  
Only valid for CVS, NVS.



BC



BF



BD



BG



BE



**With output shaft or hollow shaft on both sides, A or B in the mounting position is replaced by a 0 (zero).**

## Clamping hub diameter

(see technical data sheet for possible diameters)

Code letter	mm
C	14
E	19
G	24
H	28

Intermediate sizes possible using bushings  
with a minimum wall thickness of 1 mm.



alpha

WITTENSTEIN alpha GmbH  
Walter-Wittenstein-Straße 1  
97999 Igersheim  
Germany

Tel. +49 7931 493-0  
24h-Service-Hotline: Tel. +49 7931 493-12900  
speedline®: Tel. +49 7931 493-10444  
info@wittenstein-alpha.com

Subject to technical changes. alpha Basic Line & alpha Value Line

## WITTENSTEIN alpha – Intelligent drive systems

[www.wittenstein-alpha.com](http://www.wittenstein-alpha.com)

The entire world of drive technology – Catalogs available on request or online at [www.wittenstein-alpha.com/download](http://www.wittenstein-alpha.com/download)



**alpha Premium Line.** Unique, individual solutions that offer unparalleled power density.



**alpha Advanced Line.** Maximum power density and outstanding positioning accuracy for complex applications.



**alpha Basic Line & alpha Value Line.** Reliable, flexible and economical solutions for a wide range of applications.



**alpha Linear Systems.** Precise, dynamic system solutions for every requirement.



**alpha Mechatronic Systems.** Energy-efficient, versatile and flexible mechatronic drive systems.



**alpha Accessories.** Optimally designed and adapted for gearboxes and actuators.